



US00D440851S

(12) **United States Design Patent**
Sakai et al.

(10) **Patent No.:** **US D440,851 S**

(45) **Date of Patent:** **** Apr. 24, 2001**

(54) **PORTABLE ELECTRIC DRILL**

(75) Inventors: **Masato Sakai; Toshio Mizoguchi**, both of Hitachinaka (JP)

(73) Assignee: **Hitachi Koki Co., Ltd.**, Tokyo (JP)

(**) Term: **14 Years**

(21) Appl. No.: **29/128,909**

(22) Filed: **Sep. 6, 2000**

(30) **Foreign Application Priority Data**

Mar. 9, 2000 (JP) 12-005096

(51) **LOC (7) Cl.** **08-01**

(52) **U.S. Cl.** **D8/69**

(58) **Field of Search** D8/61-70; 81/57.11, 81/177.8, 54, 57.42, 474; 173/170, 109, 47, 48, 169, 2, 15, 217; 451/344, 358; 30/388; 408/241 S

(56) **References Cited**

U.S. PATENT DOCUMENTS

- D. 167,415 * 8/1952 McCabe D8/69
- D. 292,368 * 10/1987 Mikiya D8/61
- D. 301,300 * 5/1989 Sasaki et al. D8/68
- D. 329,794 * 9/1992 Graham D8/68

- D. 343,105 * 1/1994 Shibata et al. D8/68
- D. 388,676 * 1/1998 Niwa et al. D8/68
- D. 401,128 * 11/1998 Zurwelle D8/64
- D. 408,699 * 4/1999 Zurwelle D8/64
- D. 409,468 * 5/1999 Uchida et al. D8/69
- D. 428,786 * 8/2000 Hayakawa et al. D8/64
- 2,553,688 * 5/1951 Thompson 451/344
- 4,770,254 * 9/1988 Kominami 173/109
- 5,996,707 * 12/1999 Thome et al. 173/2

* cited by examiner

Primary Examiner—Jeffrey Asch

(74) *Attorney, Agent, or Firm*—McDermott, Will & Emery

(57) **CLAIM**

The ornamental design for a portable electric drill, as shown and described.

DESCRIPTION

FIG. 1 is a front perspective view of the portable electric drill;
 FIG. 2 is a front elevational view thereof;
 FIG. 3 is a rear elevational view thereof;
 FIG. 4 is a left side view thereof;
 FIG. 5 is a right side view thereof;
 FIG. 6 is a top plan view thereof; and,
 FIG. 7 is a bottom plan view thereof.

1 Claim, 5 Drawing Sheets

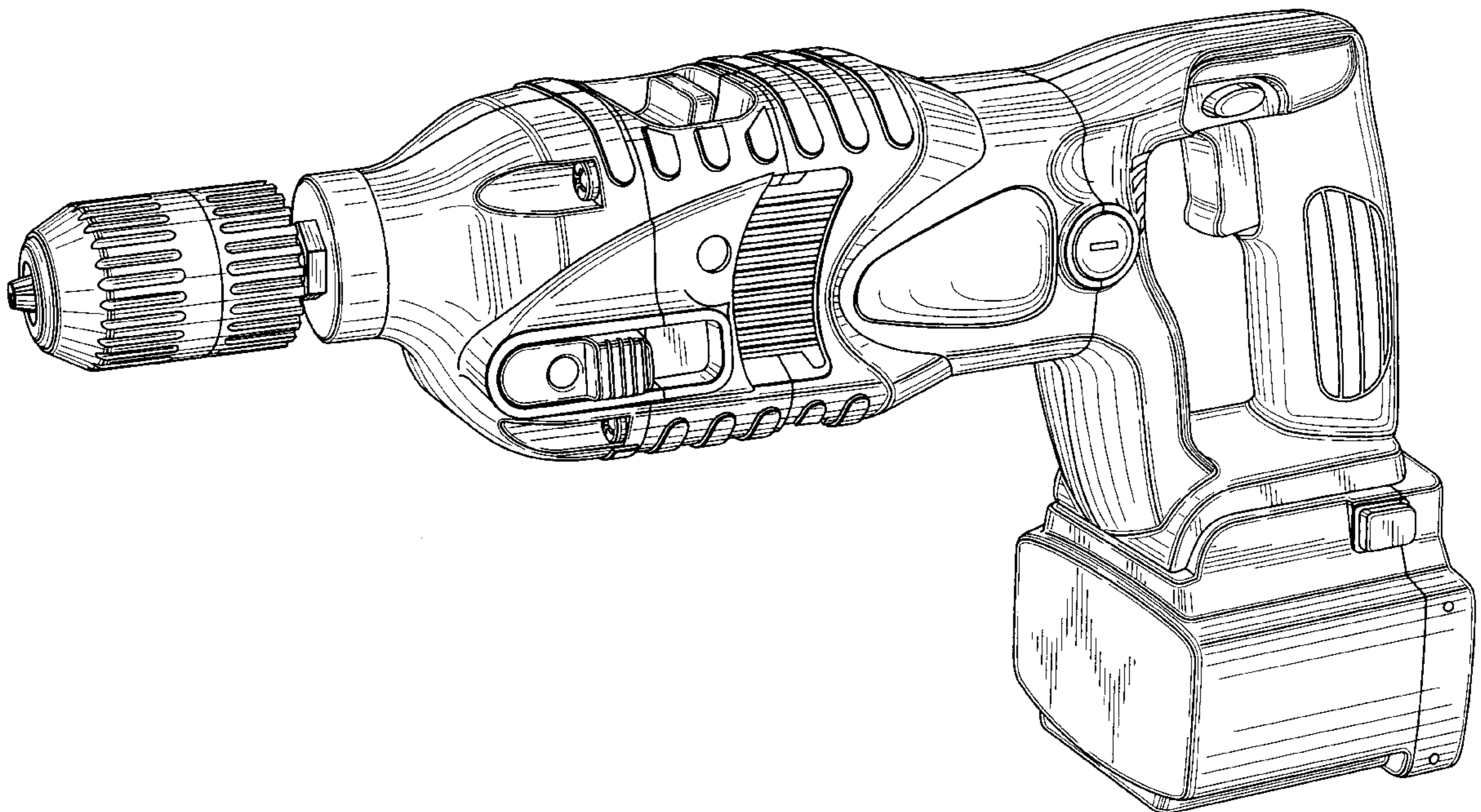


FIG. 1

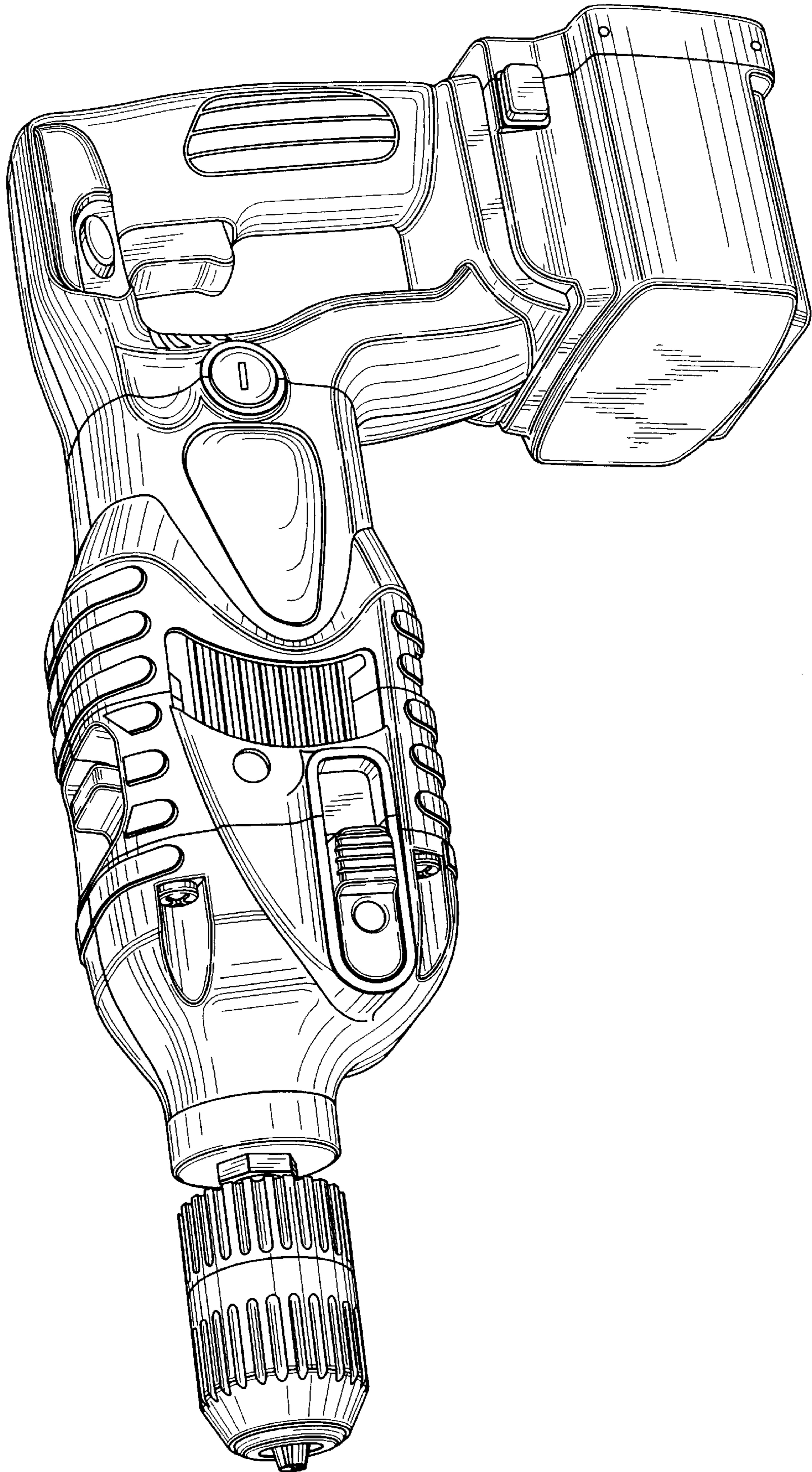


FIG. 2

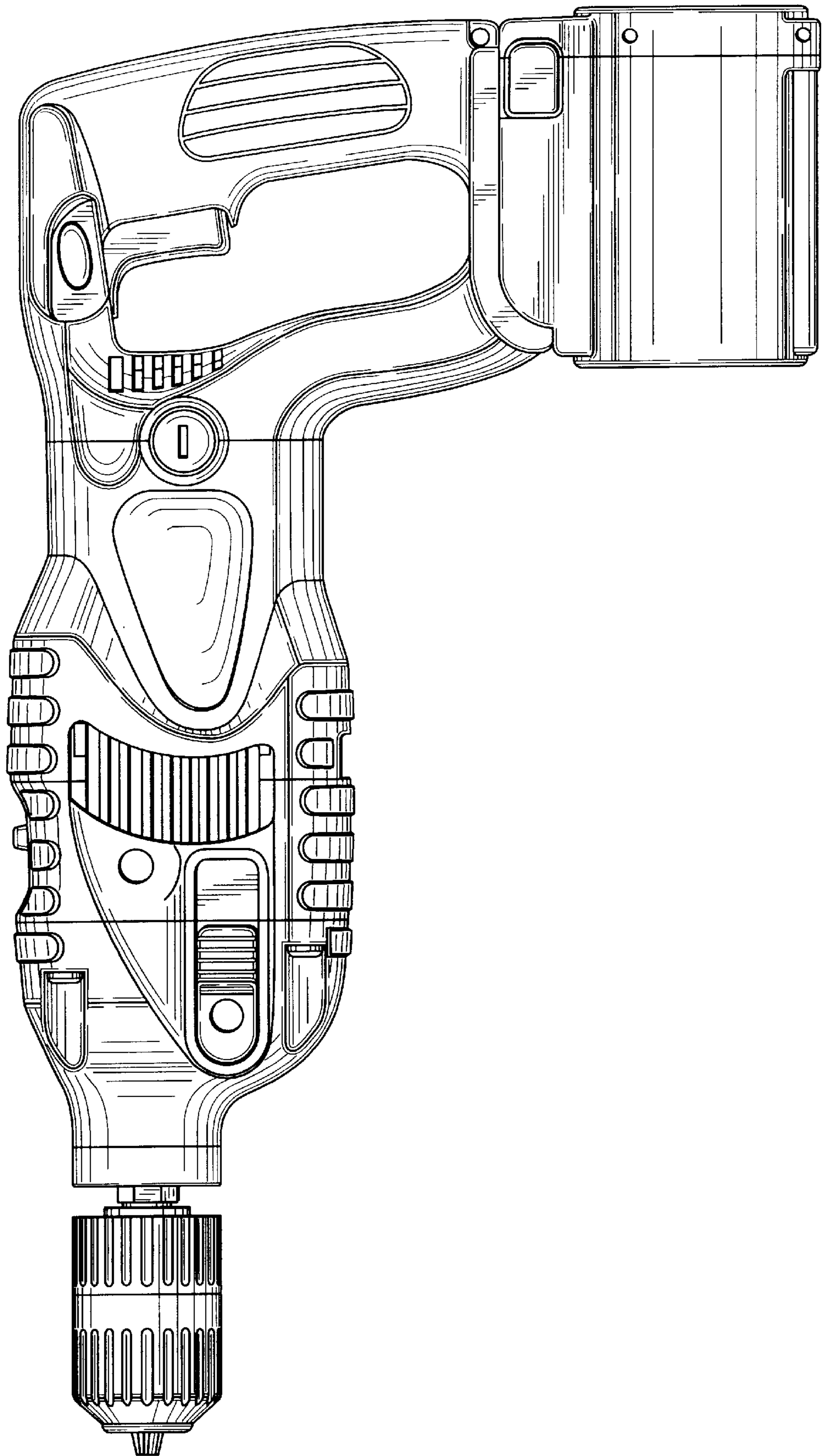


FIG. 3

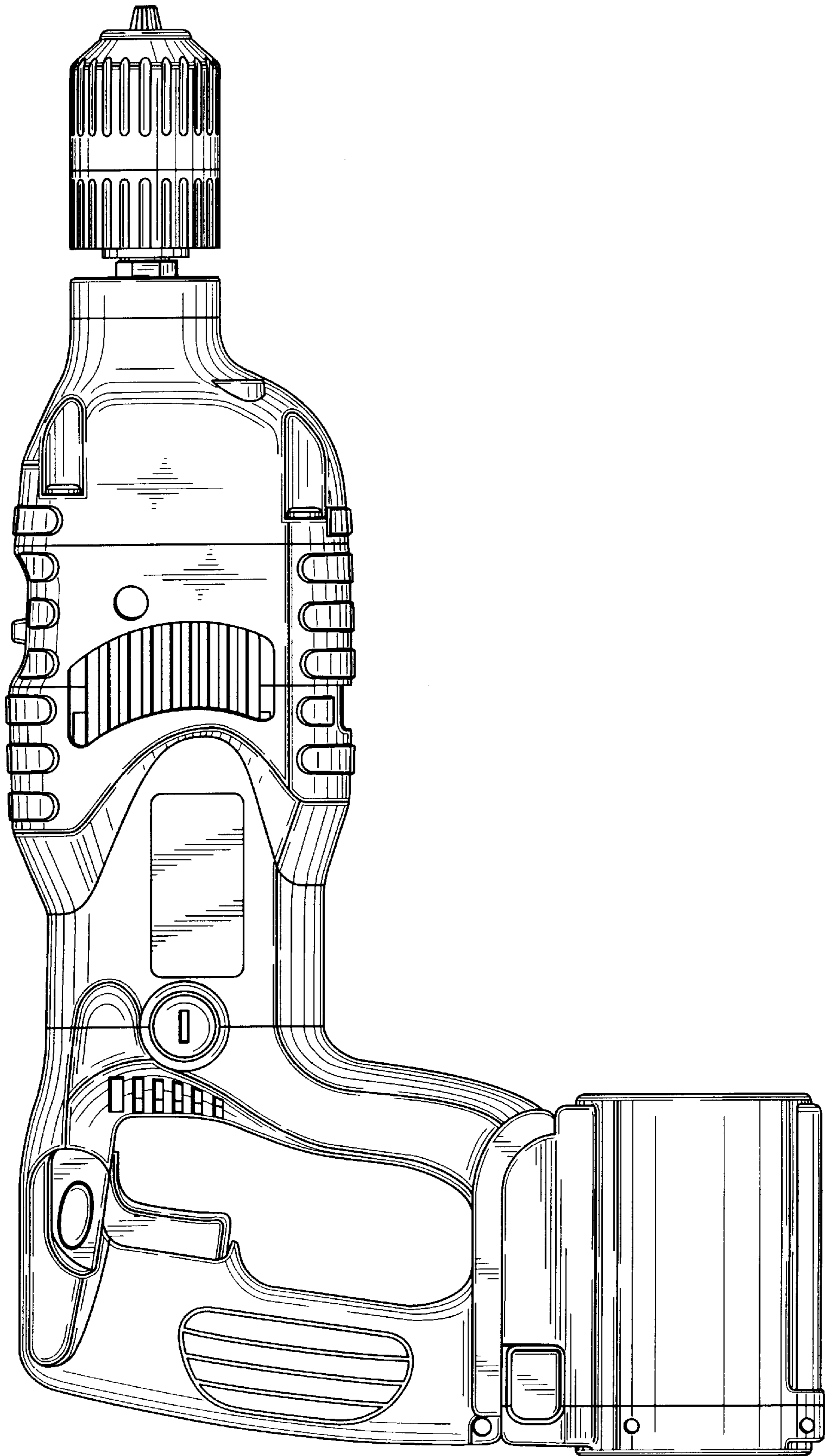


FIG. 4

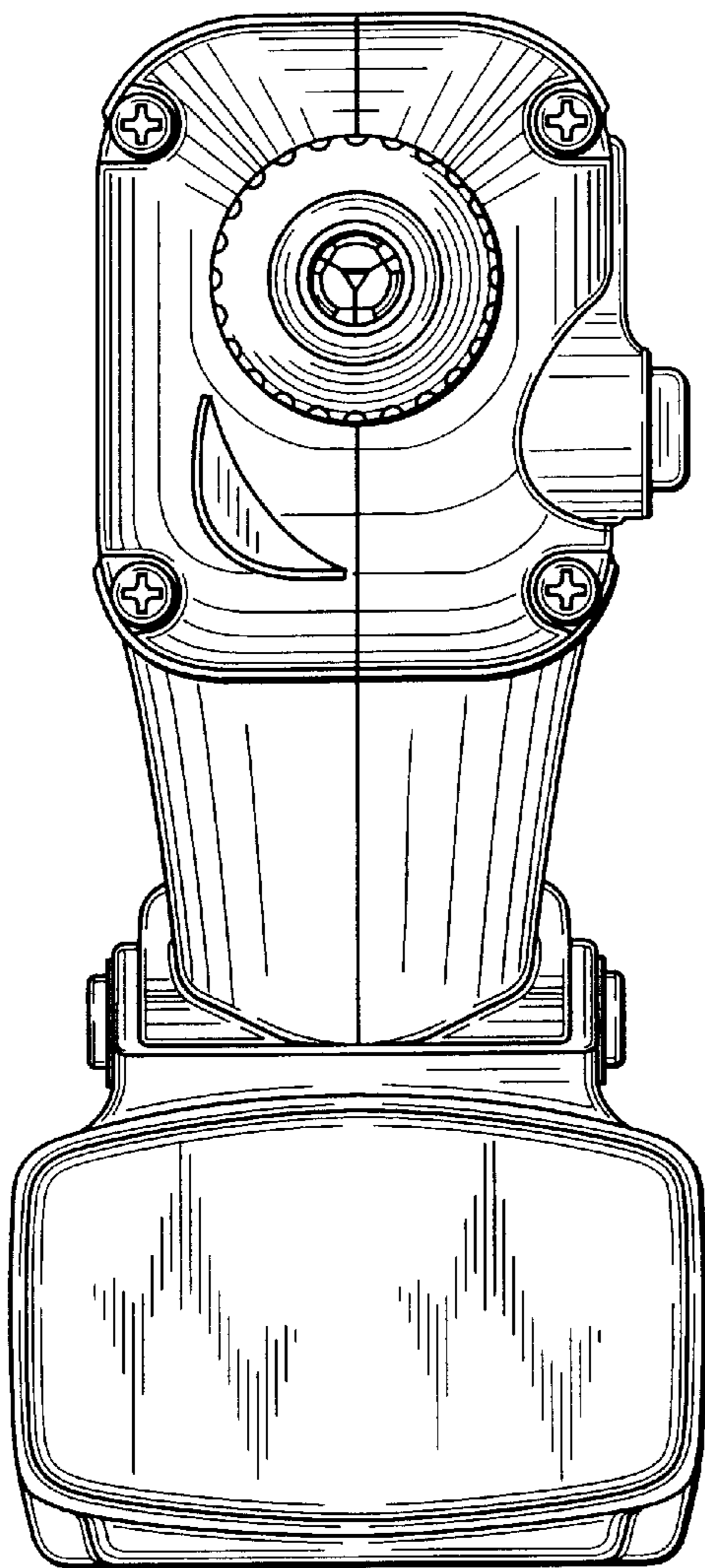


FIG. 5

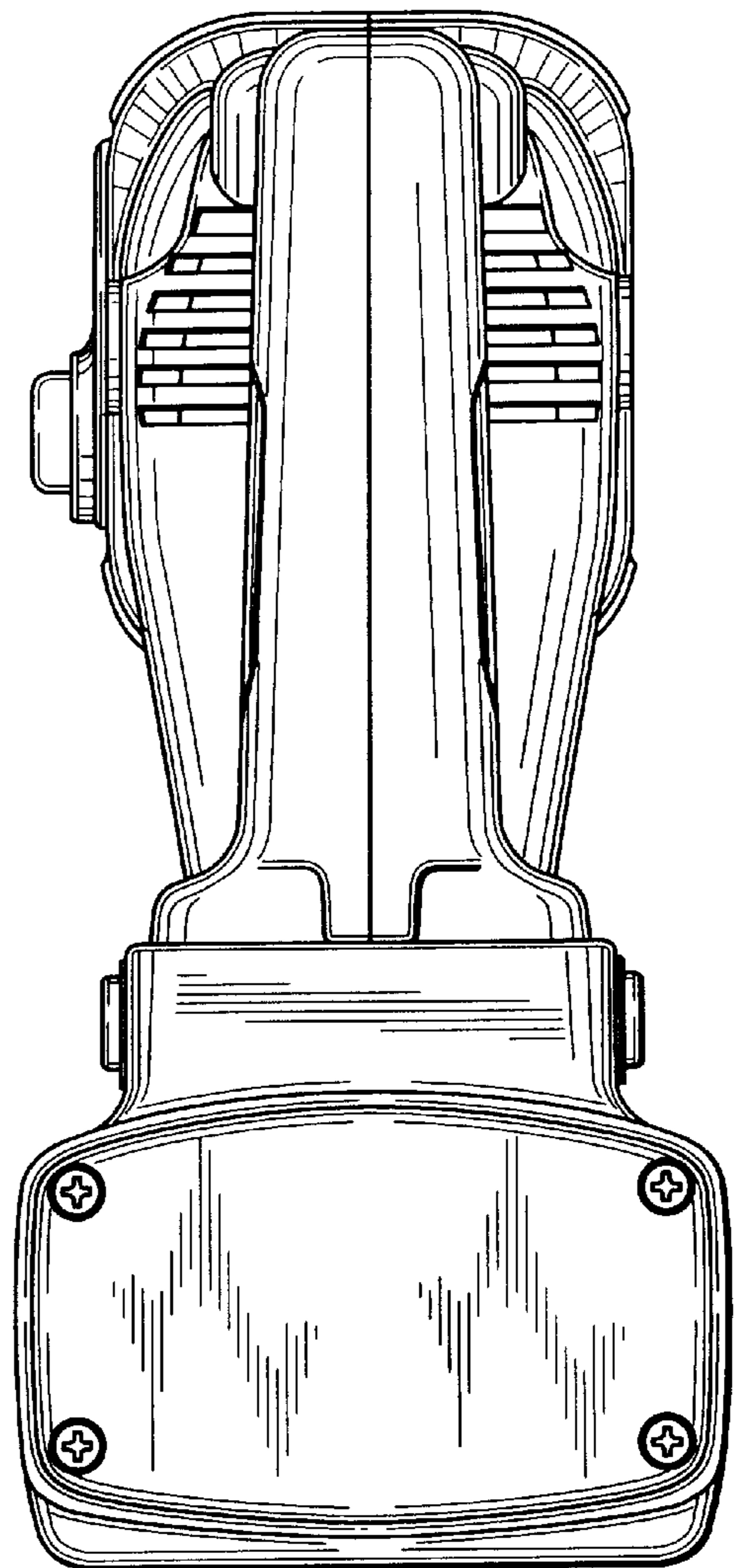


FIG. 6

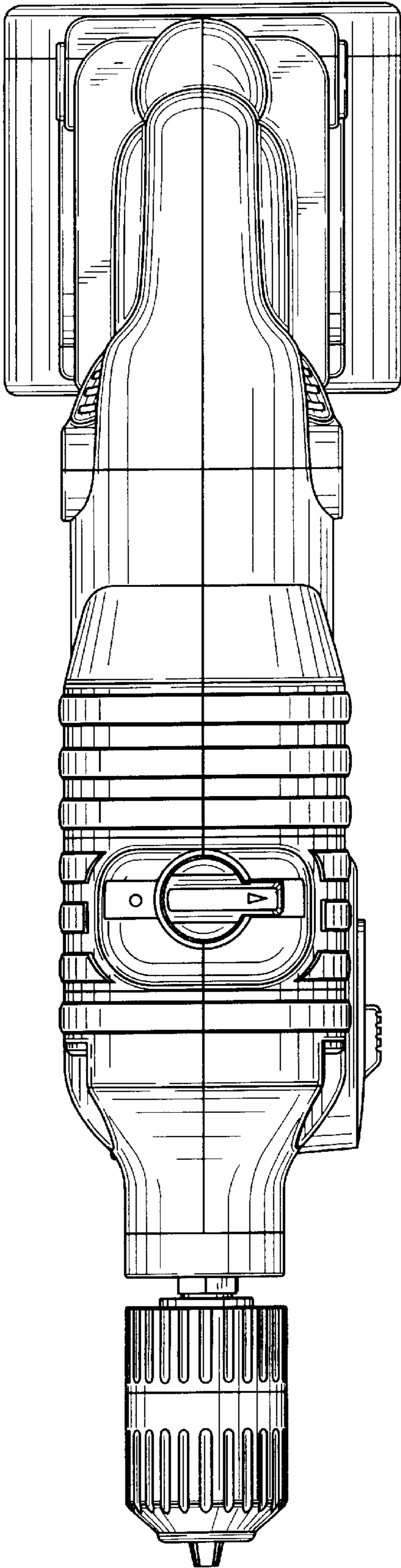


FIG. 7

