



US00D440850S

(12) **United States Design Patent**
Ozawa et al.

(10) **Patent No.:** **US D440,850 S**

(45) **Date of Patent:** **** Apr. 24, 2001**

(54) **PORTABLE ELECTRIC SCREW DRIVER**

(75) Inventors: **Takashi Ozawa; Yasuo Etou**, both of Hitachinaka (JP)

(73) Assignee: **Hitachi Koki Co., Ltd.**, Tokyo (JP)

(**) Term: **14 Years**

(21) Appl. No.: **29/128,916**

(22) Filed: **Sep. 6, 2000**

(30) **Foreign Application Priority Data**

Mar. 9, 2000 (JP) 12-005085

(51) **LOC (7) Cl.** **06-01**

(52) **U.S. Cl.** **D8/68**

(58) **Field of Search** D8/61-70; 81/57.11, 81/177.8, 54, 57.42, 474; 173/170, 169.2, 217, 47, 48, 15, 109; 451/344, 358; 30/388; 408/241 S

(56) **References Cited**

U.S. PATENT DOCUMENTS

- D. 332,208 * 1/1993 Sakamoto et al. D8/68
- D. 359,215 * 6/1995 Zurwelle D8/68
- D. 377,893 * 2/1997 Lui D8/68
- D. 377,894 * 2/1997 Sung D8/68
- D. 378,268 * 3/1997 Schultz D8/68
- D. 386,662 * 11/1997 Tozawa et al. D8/68
- D. 389,025 * 1/1998 Sung D8/61
- D. 389,384 * 1/1998 Lui D8/68

- D. 392,530 * 3/1998 Lui D8/68
- D. 396,177 * 7/1998 Schultz D8/68
- D. 402,871 * 12/1998 Clowers et al. D8/68
- D. 409,467 * 5/1999 Chung D8/68
- D. 419,413 * 1/2000 Heun D8/68
- D. 420,877 * 2/2000 Schultz D8/68
- D. 421,883 * 3/2000 Watson et al. D8/68
- D. 426,126 * 6/2000 Schultz D8/68
- D. 428,320 * 7/2000 Ohi et al. D8/68
- D. 429,134 * 8/2000 Schultz et al. D8/68
- 5,360,073 * 11/1994 Akazawa 173/15
- 5,451,127 * 9/1995 Chung 173/47 X

* cited by examiner

Primary Examiner—Jeffrey Asch

(74) *Attorney, Agent, or Firm*—McDermott, Will & Emery

(57) **CLAIM**

The ornamental design for a portable electric screw driver, as shown and described.

DESCRIPTION

FIG. 1 is a front perspective view of the portable electric screw driver;
 FIG. 2 is a front elevational view thereof;
 FIG. 3 is a rear elevational view thereof;
 FIG. 4 is a left side view thereof;
 FIG. 5 is a right side view thereof;
 FIG. 6 is a top plan view thereof; and,
 FIG. 7 is a bottom plan view thereof.

1 Claim, 5 Drawing Sheets

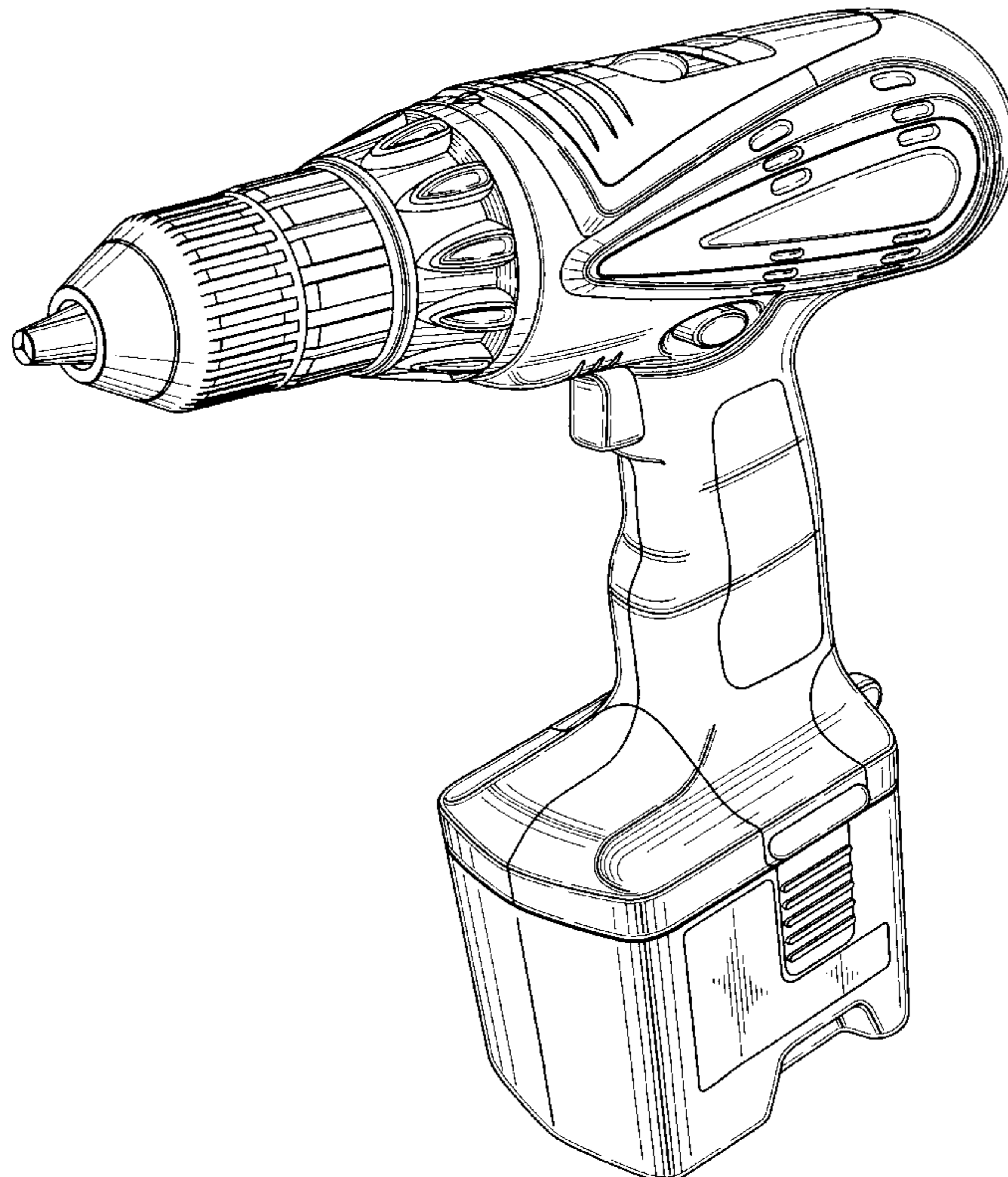


FIG. 1

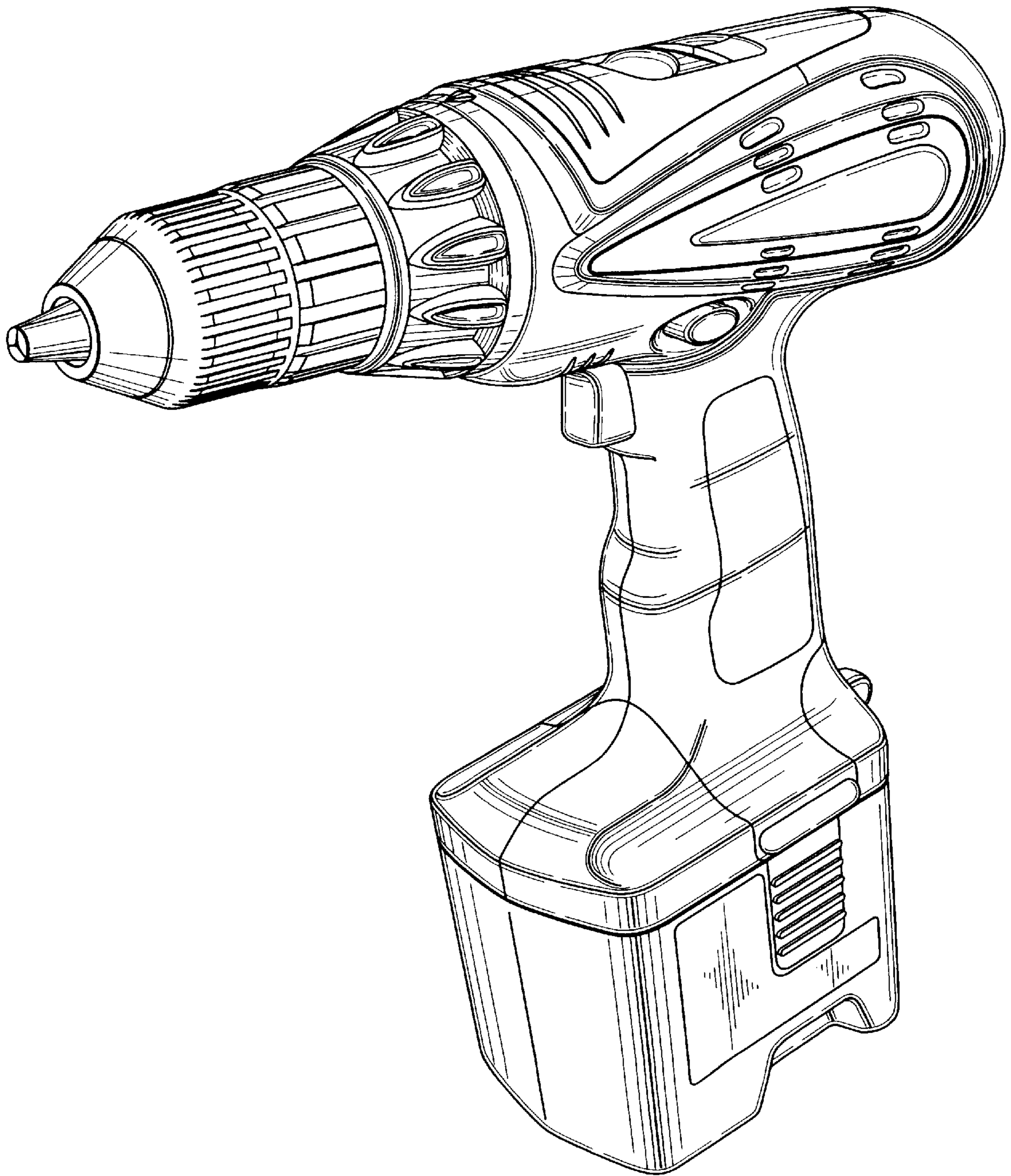


FIG. 2

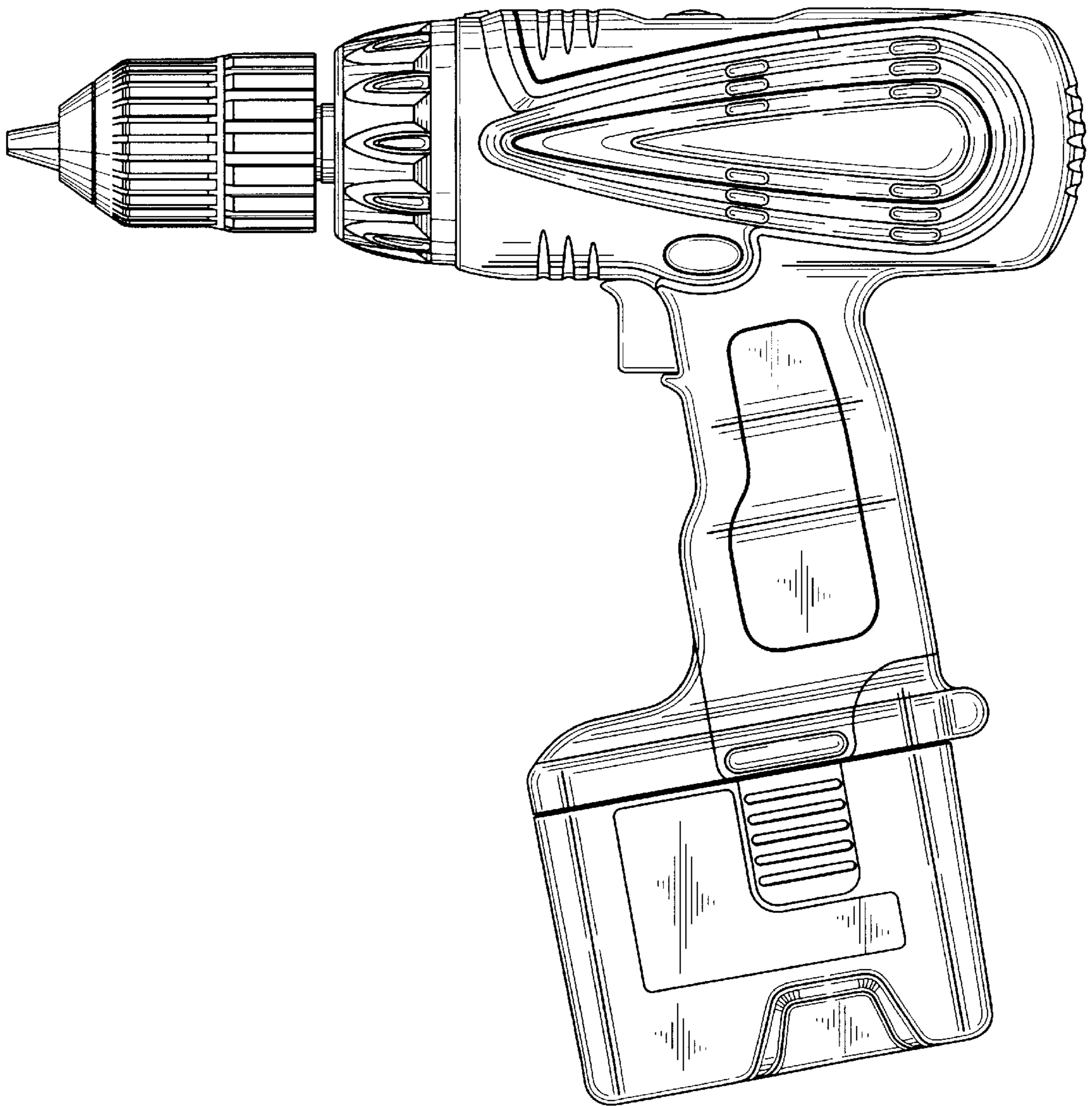


FIG. 3

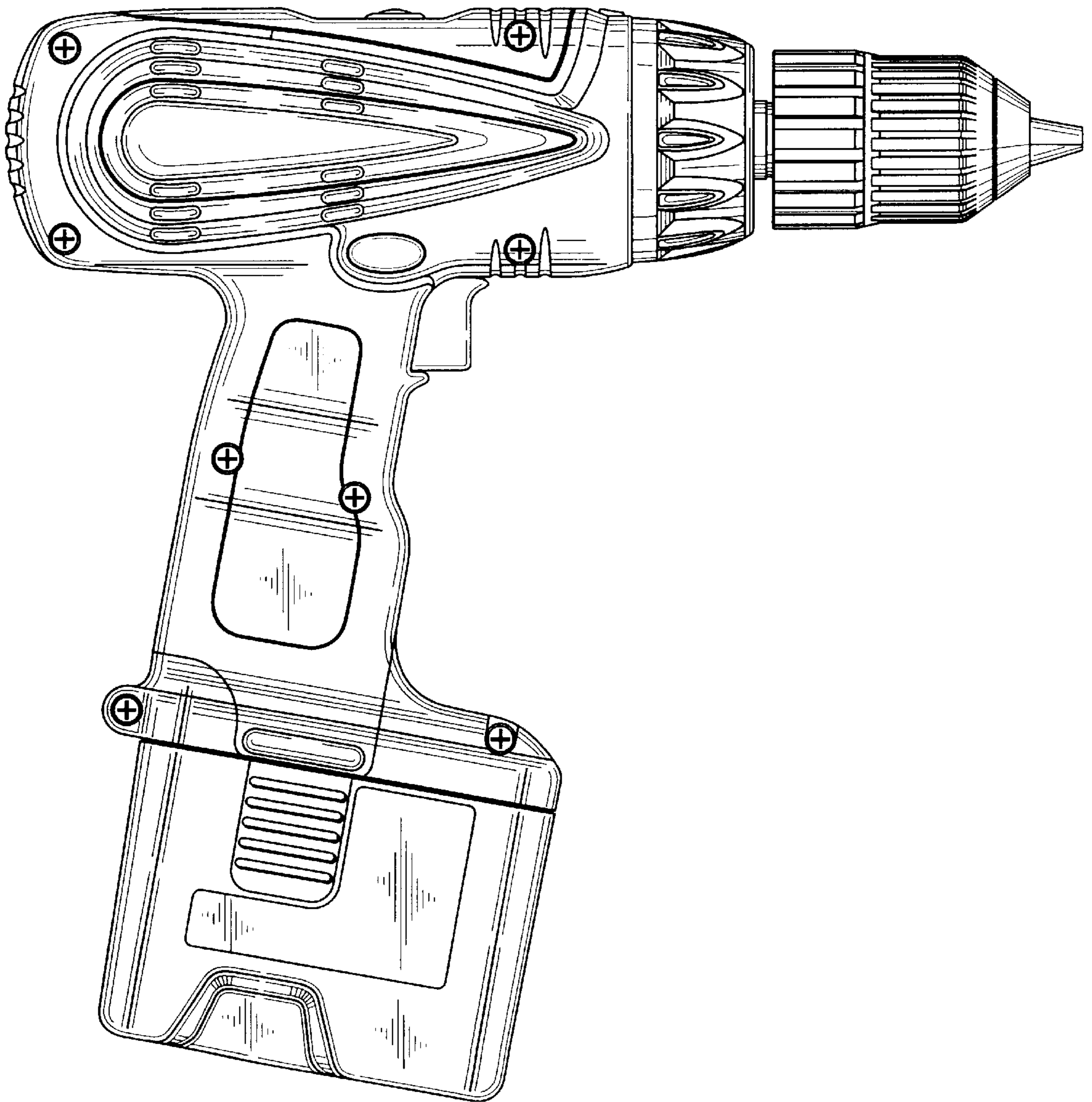


FIG. 4

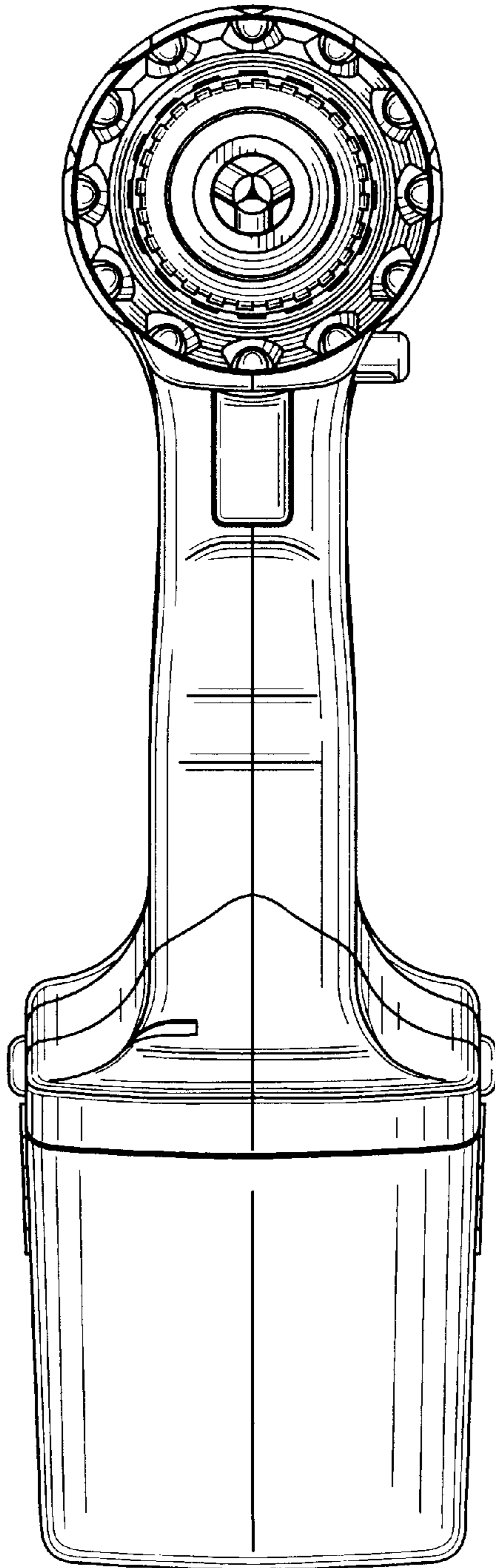


FIG. 5

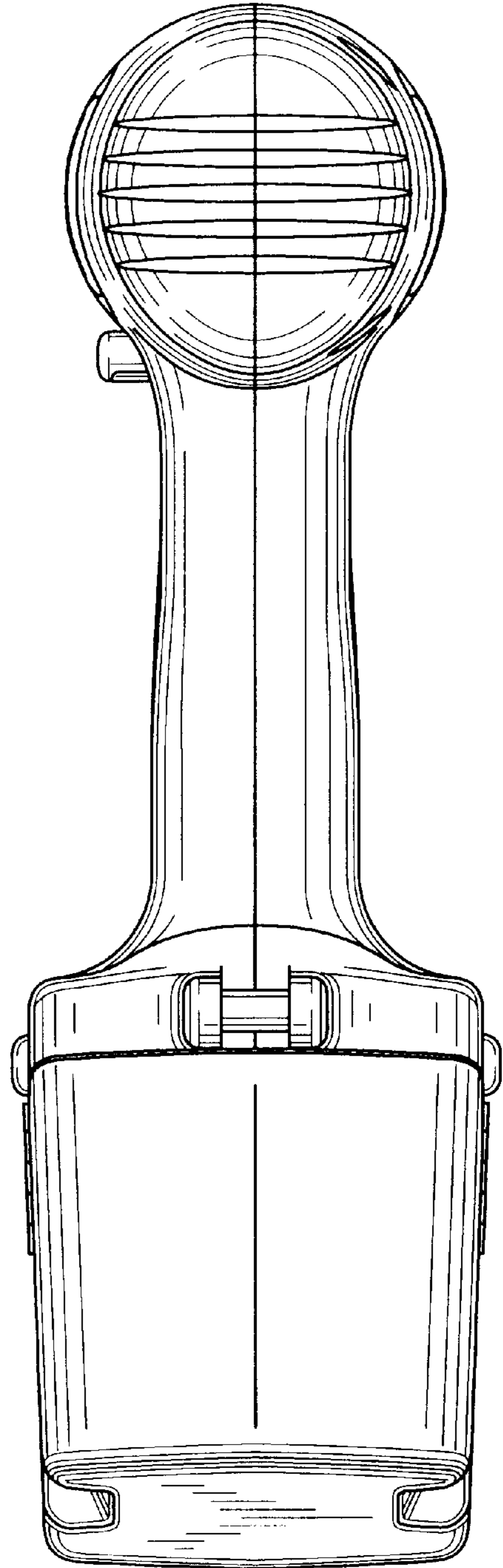


FIG. 6

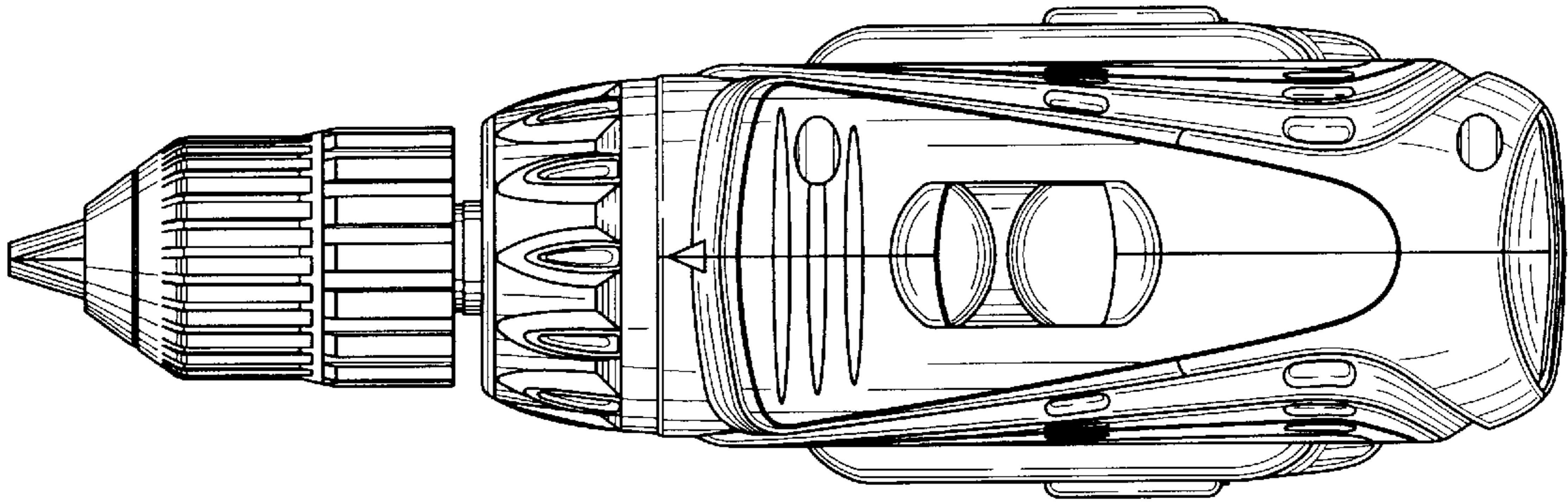
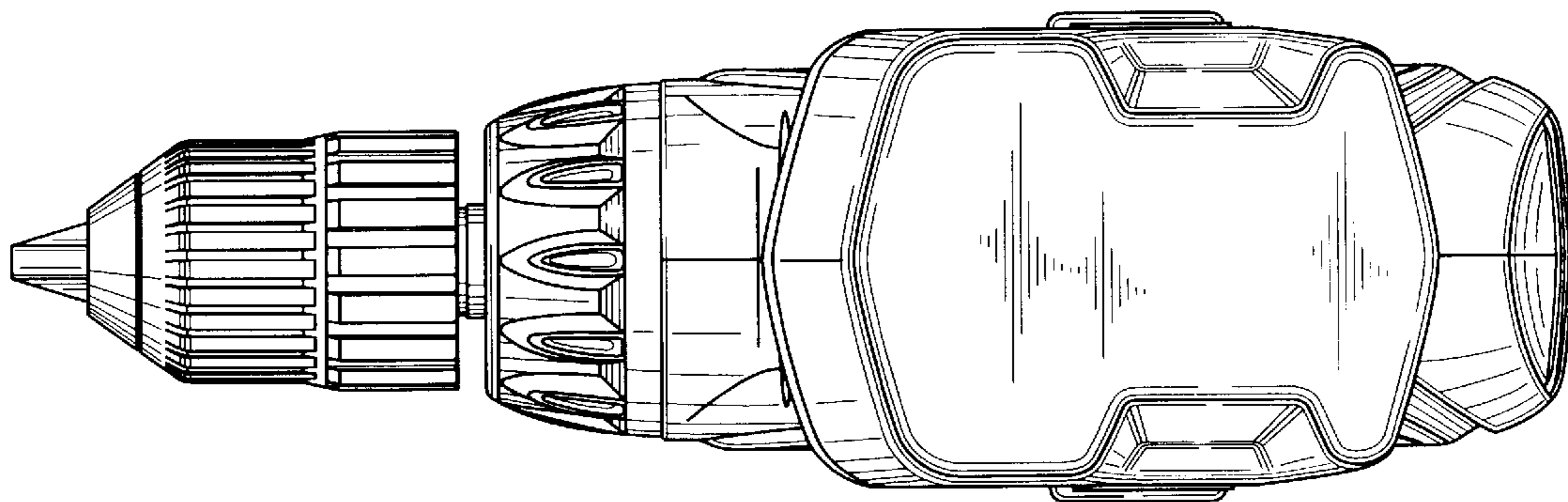


FIG. 7



UNITED STATES PATENT AND TRADEMARK OFFICE
CERTIFICATE OF CORRECTION

PATENT NO. : Des 440,850 S
DATED : April 24, 2001
INVENTOR(S) : Takashi Ozawa, et al.

Page 1 of 1

It is certified that error appears in the above-identified patent and that said Letters Patent is hereby corrected as shown below:

Title page,

Under Section “[30] Foreign Application Priority Data”, change “12-005085”
to -- 2000-005085 --.

Signed and Sealed this

Thirtieth Day of October, 2001

Attest:

Nicholas P. Godici

Attesting Officer

NICHOLAS P. GODICI
Acting Director of the United States Patent and Trademark Office