



US00D440849S

(12) **United States Design Patent**
Sakai et al.

(10) **Patent No.:** **US D440,849 S**

(45) **Date of Patent:** **** Apr. 24, 2001**

- (54) **PORTABLE ELECTRIC SAW**
- (75) Inventors: **Masato Sakai; Yoshiaki Adachi**, both of Hitachinaka (JP)
- (73) Assignee: **Hitachi Koki Co., Ltd.**, Tokyo (JP)
- (**) Term: **14 Years**
- (21) Appl. No.: **29/128,917**
- (22) Filed: **Sep. 6, 2000**
- (30) **Foreign Application Priority Data**
Mar. 9, 2000 (JP) 12-005098
- (51) **LOC (7) Cl.** **08-03**
- (52) **U.S. Cl.** **D8/64; D8/69**
- (58) **Field of Search** D8/61-70; 81/57.11, 81/54, 57.42; 173/170, 109, 47, 48, 169.2, 15, 217; 451/344, 358; 30/391-393, 388, 394, 376, 377; 74/50; 408/241 S

2,553,688	*	5/1951	Thompson	451/344
3,750,483	*	8/1973	Burrows et al.	74/50
3,876,015	*	4/1975	Kivela	173/170
3,945,120	*	3/1976	Ritz	30/393
5,007,172	*	4/1991	Palm	30/377
5,079,844	*	1/1992	Palm	30/392
5,083,376	*	1/1992	Lentino	30/392
5,212,887	*	5/1993	Farmerie	30/393
5,458,346	*	10/1995	Briggs	279/97
5,598,636	*	2/1997	Stolzer	30/394
5,794,352	*	8/1998	Dassoulas	30/392
5,855,070	*	1/1999	Grabowski	30/376
5,940,977	*	8/1999	Moore, Jr.	30/392

* cited by examiner

Primary Examiner—Jeffrey Asch
(74) *Attorney, Agent, or Firm*—McDermott, Will & Emery

(57) **CLAIM**

The ornamental design for a portable electric saw, as shown and described.

DESCRIPTION

FIG. 1 is a front perspective view of the portable electric saw;
FIG. 2 is a front elevational view thereof;
FIG. 3 is a rear elevational view thereof;
FIG. 4 is a left side view thereof;
FIG. 5 is a right side view thereof;
FIG. 6 is a top plan view thereof; and,
FIG. 7 is a bottom plan view thereof.

1 Claim, 5 Drawing Sheets

- (56) **References Cited**
- U.S. PATENT DOCUMENTS**
- D. 292,368 * 10/1987 Mikiya D8/61
- D. 339,510 * 9/1993 Sakamoto et al. D8/64
- D. 388,676 * 1/1998 Niwa et al. D8/68
- D. 401,128 * 11/1998 Zurwelle D8/64
- D. 408,699 * 4/1999 Zurwelle D8/64
- D. 409,468 * 5/1999 Uchida et al. D8/69
- D. 416,180 * 11/1999 Sakai et al. D8/64
- D. 428,786 * 8/2000 Hayakawa et al. D8/64

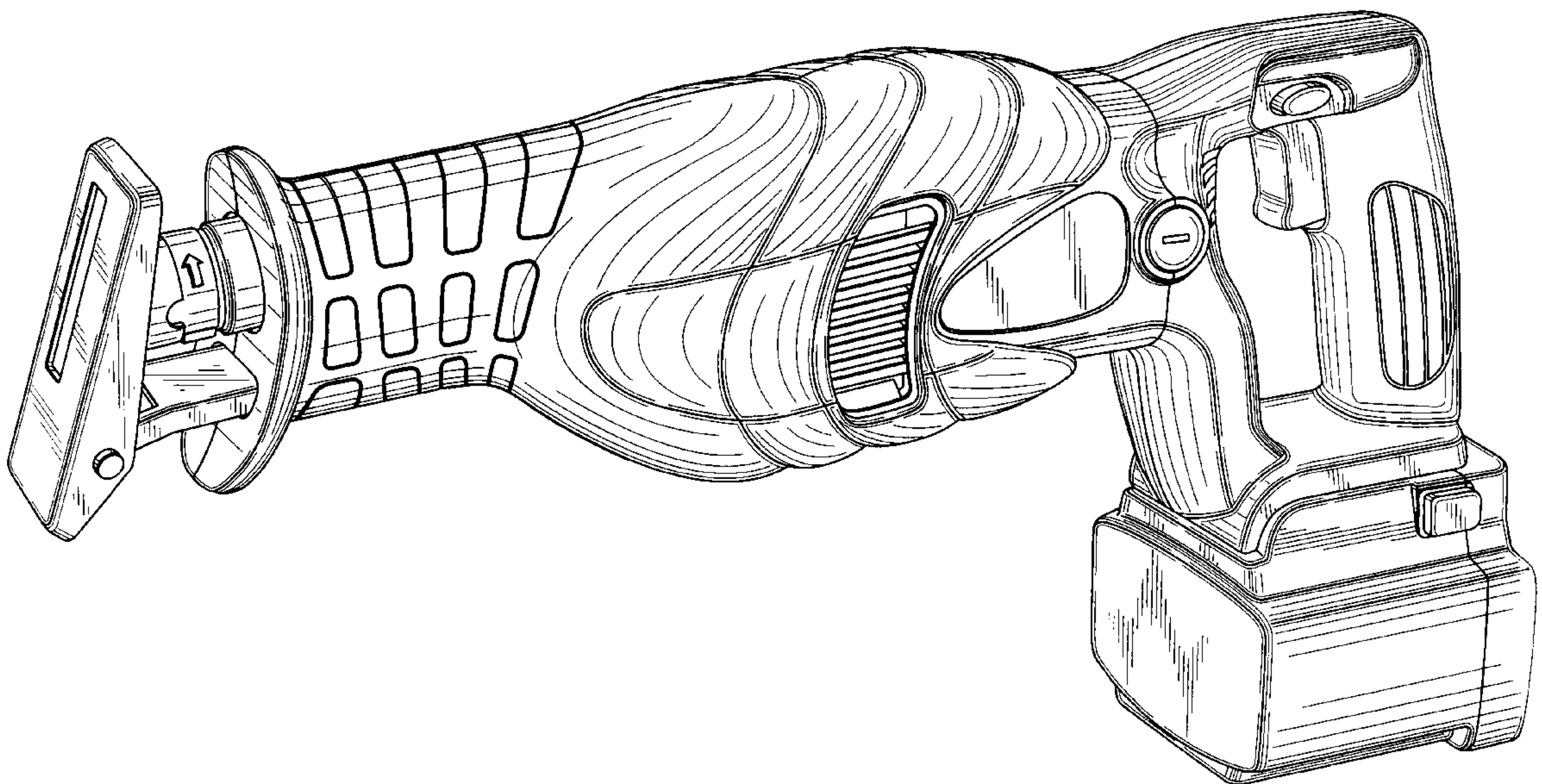


FIG. 1

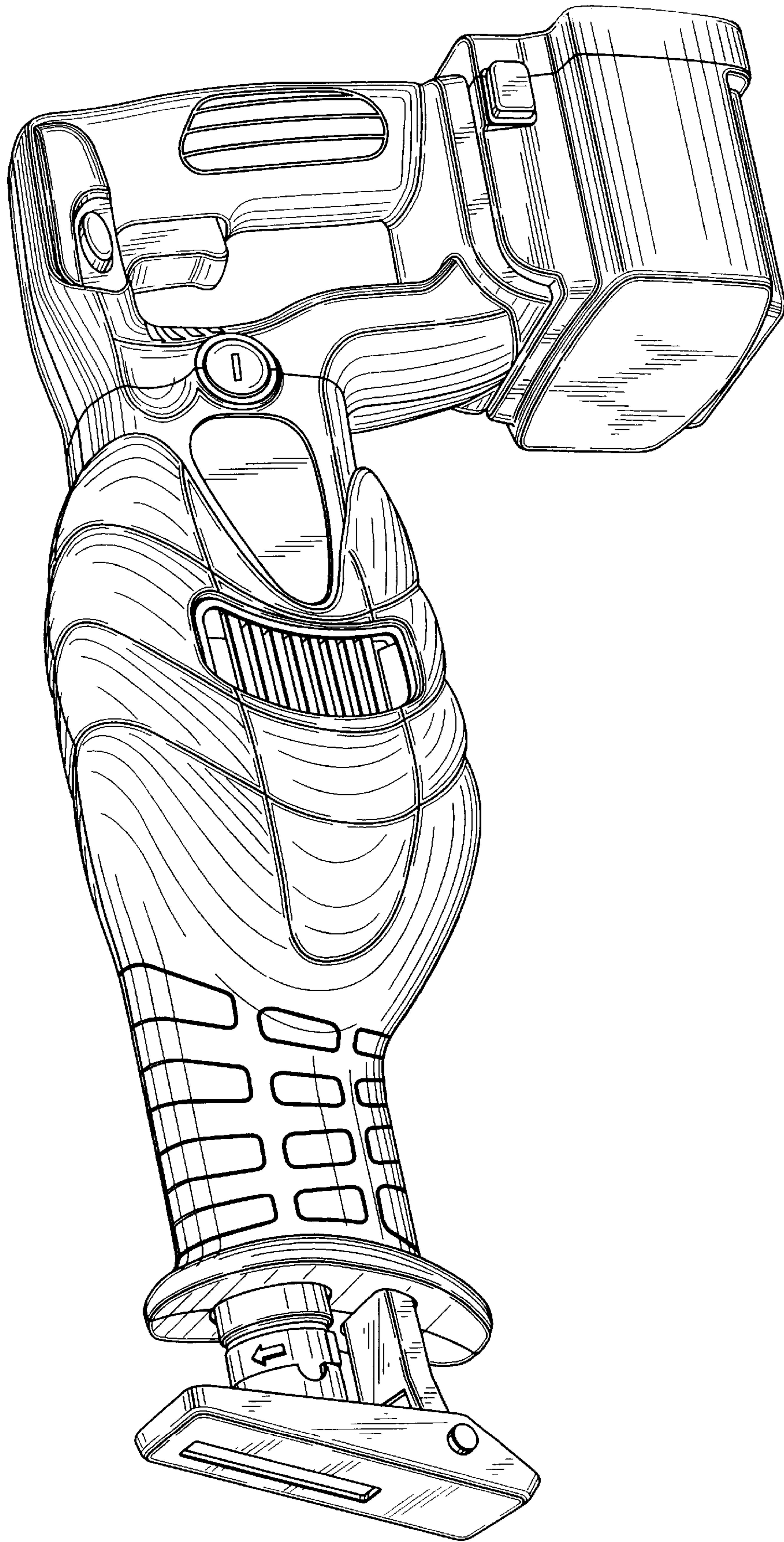


FIG. 2

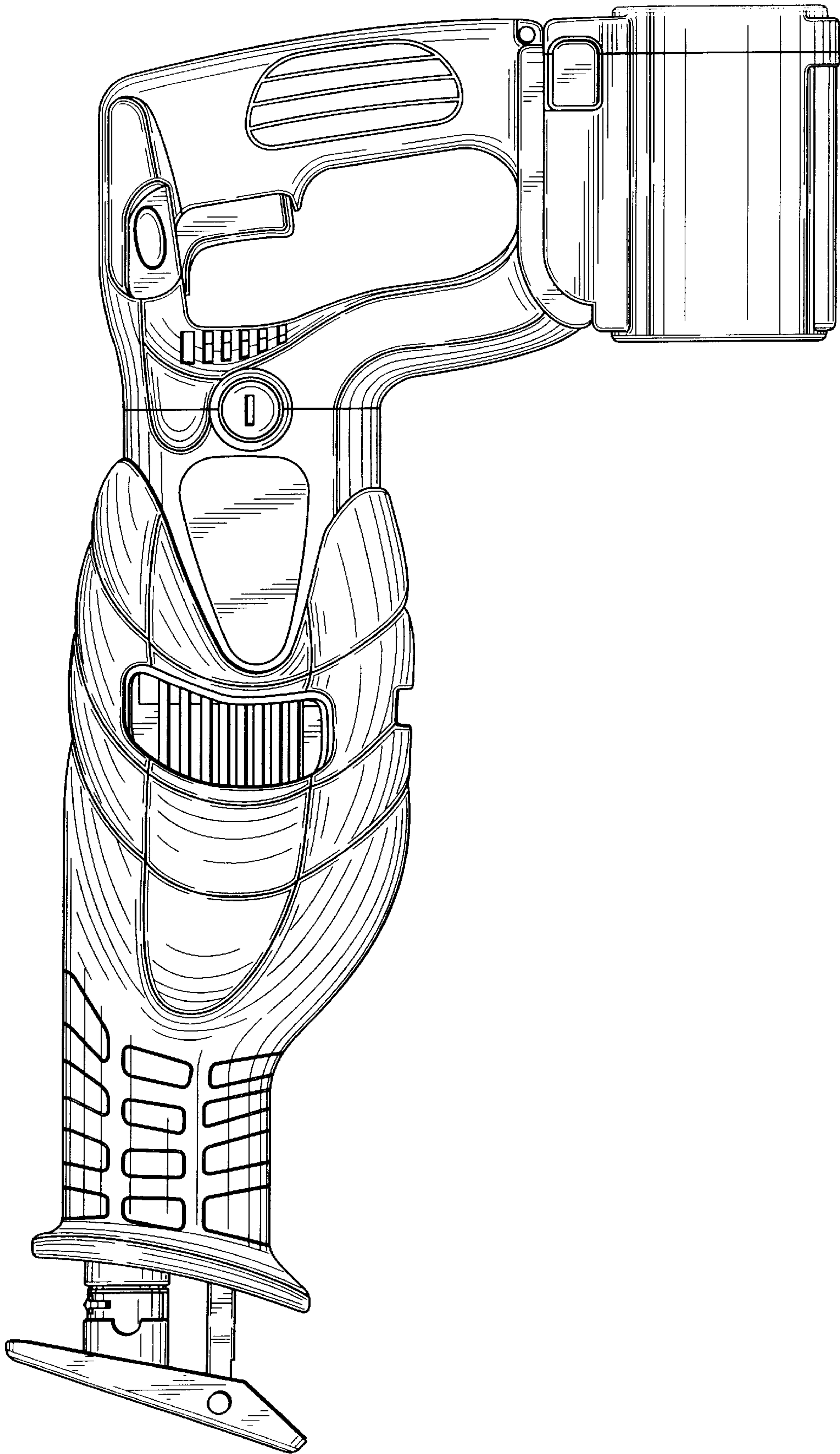


FIG. 3

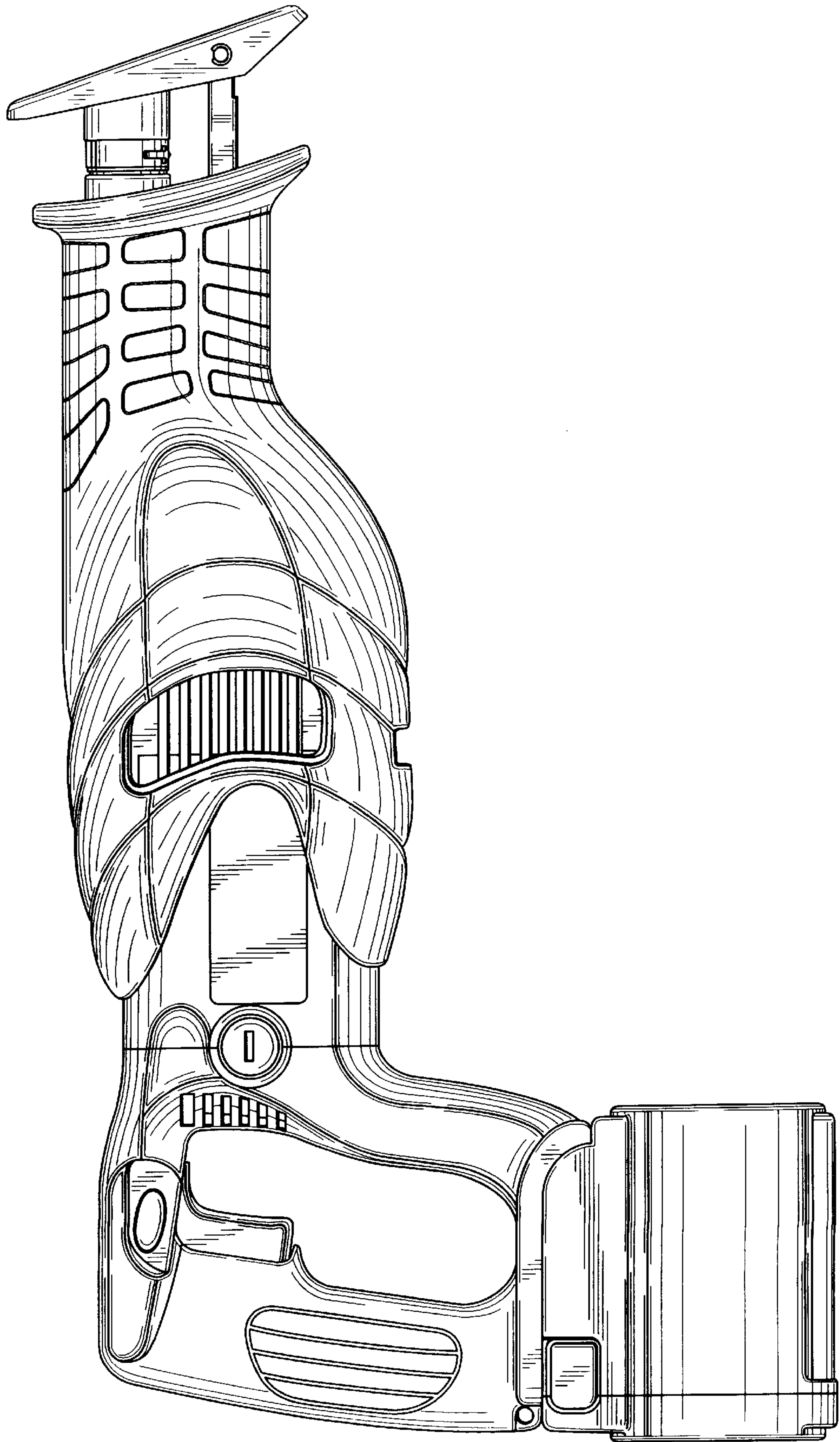


FIG. 4

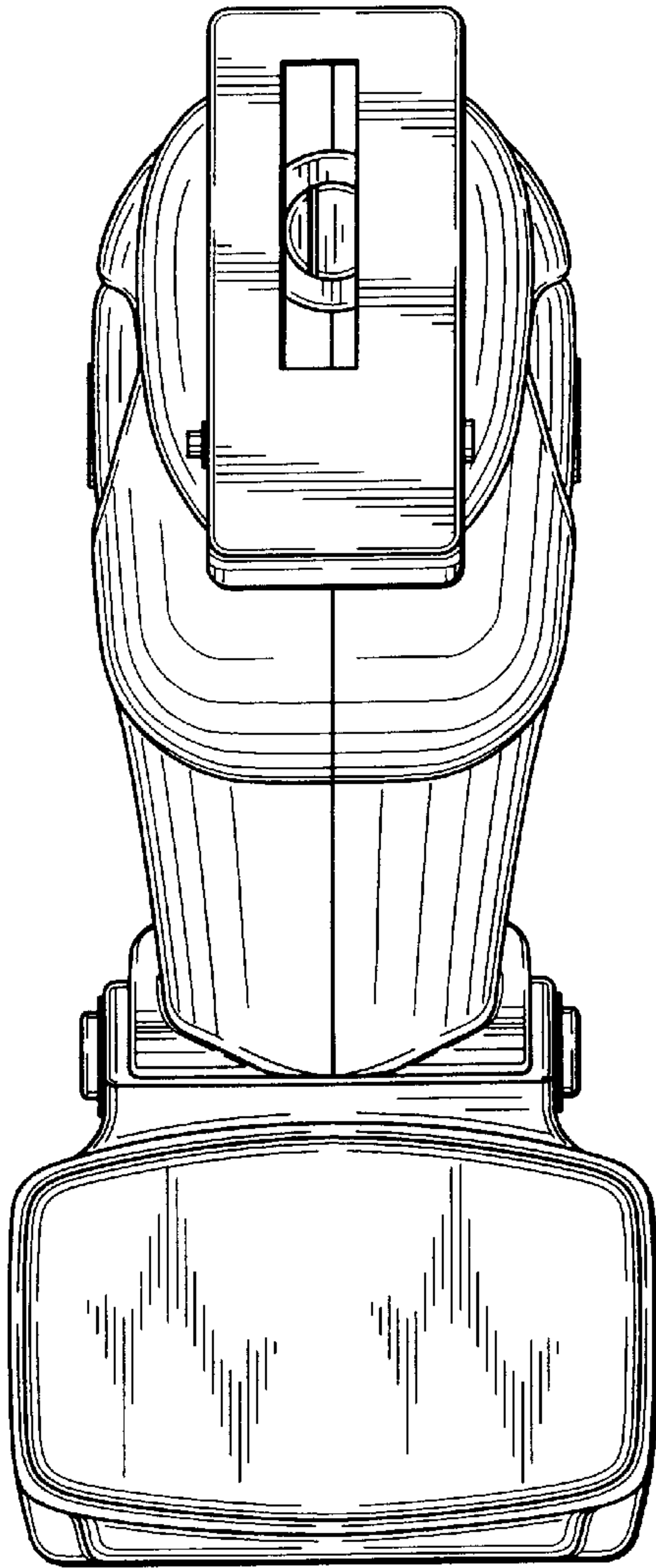


FIG. 5

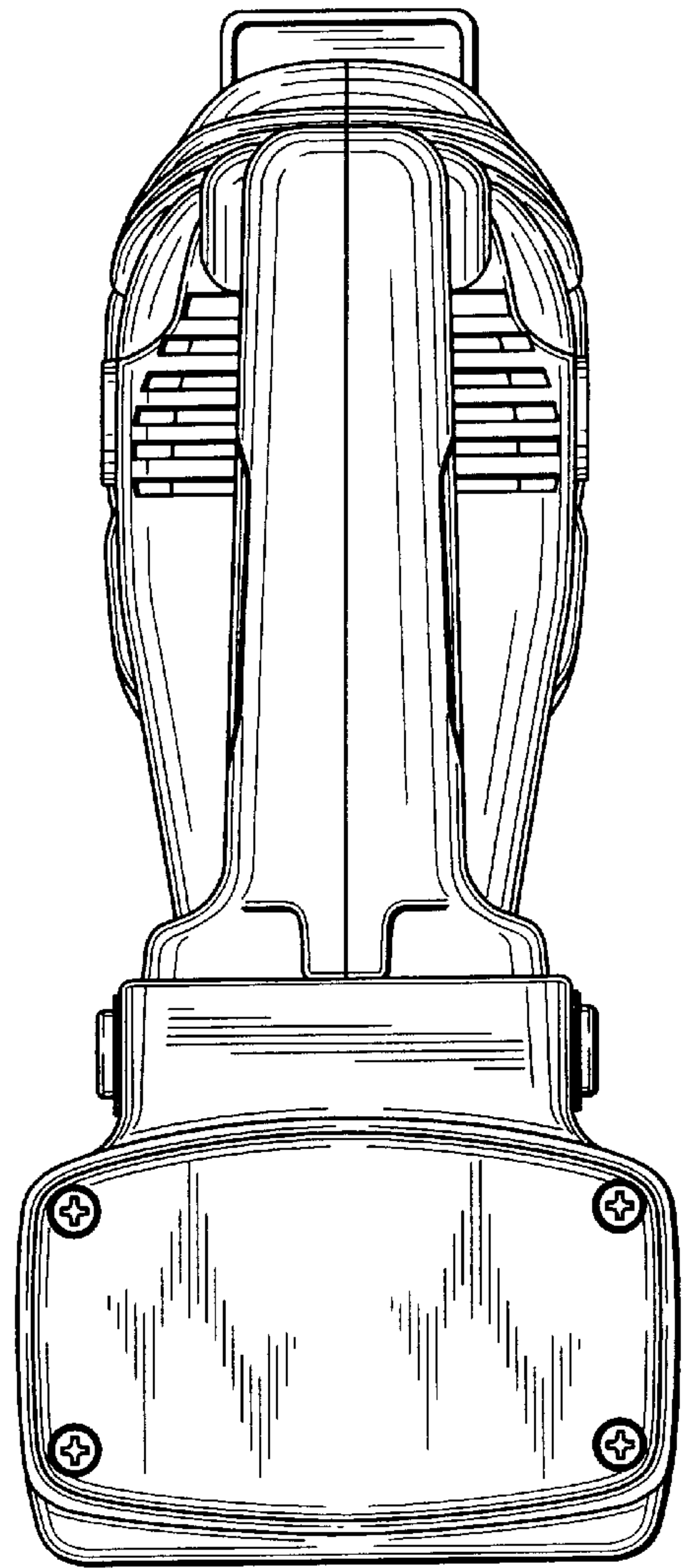


FIG. 6

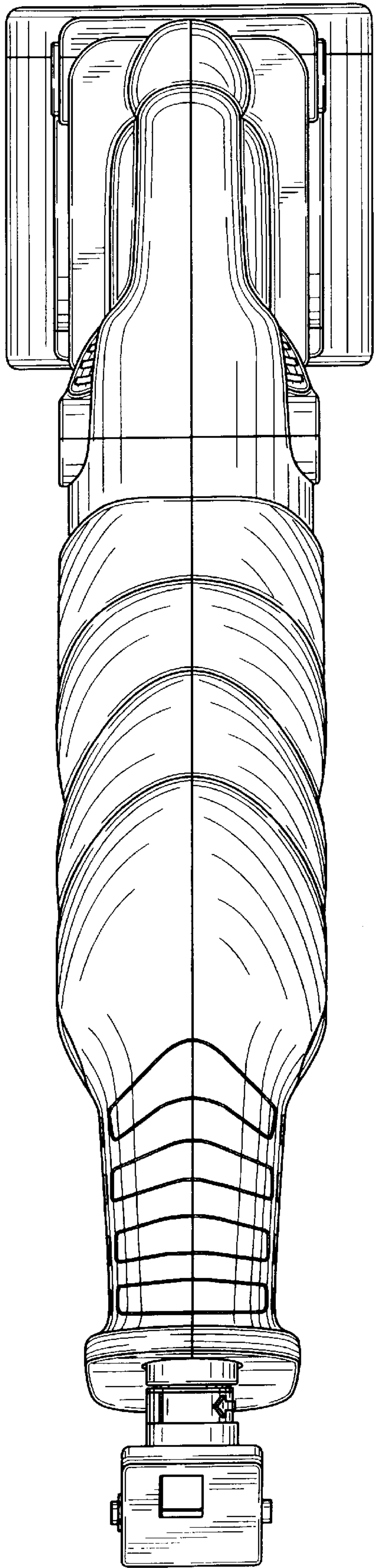
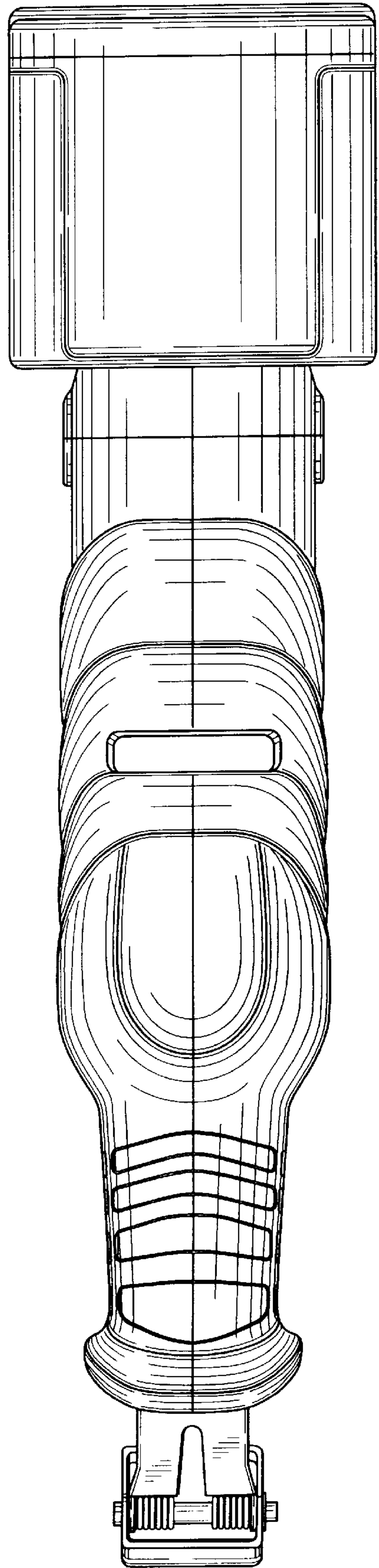


FIG. 7



UNITED STATES PATENT AND TRADEMARK OFFICE
CERTIFICATE OF CORRECTION

PATENT NO. : Des 440,849 S
DATED : April 24, 2001
INVENTOR(S) : Masato Sakai, et al.

Page 1 of 1

It is certified that error appears in the above-identified patent and that said Letters Patent is hereby corrected as shown below:

Title page.

Item [30] Foreign Application Priority Data, change the priority application number from "12-005098" to -- 2000-005098 --.

Signed and Sealed this

Thirtieth Day of October, 2001

Attest:

Nicholas P. Godici

Attesting Officer

NICHOLAS P. GODICI
Acting Director of the United States Patent and Trademark Office