



US00D440847S

(12) **United States Design Patent**
Izumisawa

(10) **Patent No.:** **US D440,847 S**

(45) **Date of Patent:** **** Apr. 24, 2001**

(54) **SQUARE DRIVE WRENCH HAVING ANGLED HEAD**

(75) **Inventor:** **Osamu Izumisawa, Tokyo (JP)**

(73) **Assignee:** **S.P. Air Kabusiki Kaisha, Nagano Pref. (JP)**

(**) **Term:** **14 Years**

(21) **Appl. No.:** **29/130,897**

(22) **Filed:** **Oct. 11, 2000**

Related U.S. Application Data

(62) Division of application No. 29/119,378, filed on Feb. 28, 2000.

(51) **LOC (7) Cl.** **08-01**

(52) **U.S. Cl.** **D8/61**

(58) **Field of Search** D8/61-70; 81/57.11, 81/54, 57.42, 57.39, 57.13, 57.29, 469; 173/170, 169, 48, 163, 217, 182; 451/358, 359; 310/50, 240; 433/82, 125

(56) **References Cited**

U.S. PATENT DOCUMENTS

- D. 111,234 9/1938 Albertson .
- D. 150,531 8/1948 Albertson .
- D. 162,877 4/1951 Price et al. .
- D. 269,846 7/1983 Izumisawa .
- D. 269,938 * 8/1983 Izumisawa D8/61
- D. 278,025 * 3/1985 Fleischer, Jr. D8/61
- D. 278,407 * 4/1985 Fleischer, Jr. D8/61
- D. 289,135 * 4/1987 Doman D8/61
- D. 298,908 * 12/1988 Clemens D8/61
- D. 302,378 7/1989 Nelson .
- D. 316,216 4/1991 Gierke et al. .
- D. 320,540 10/1991 Staubitz et al. .
- D. 320,541 10/1991 Staubitz et al. .
- D. 323,275 1/1992 Sasaki et al. .
- D. 323,603 2/1992 Fu .
- D. 323,961 2/1992 Fushiya et al. .
- D. 327,620 7/1992 Fisher .

- D. 330,151 10/1992 Fisher .
- D. 333,077 2/1993 Mikiya .
- D. 333,766 * 3/1993 Albert et al. D8/62
- D. 334,124 * 3/1993 Izumisawa D8/61
- D. 334,125 * 3/1993 Izumisawa D8/61

(List continued on next page.)

OTHER PUBLICATIONS

Vision Air Tool publication entitled, "Vision Air Tool VA-G120," published at least as early as Feb. 28, 2000 at <http://www.visionairtool.com/servlet/Cat_ShowDetails.class?105>.

Shinano Pneumatic Industries Inc. publication entitled, "SP Air," published at least as early as Feb. 28, 2000.

Ingersoll-Rand Co. publication entitled "Ingersoll-Rand Automotive Tools," published at least as early as Feb. 28, 2000, pp. 1-3, 16-17.

Ingersoll-Rand Co. publication entitled "Ingersoll-Rand Automotive Power Tools," published at least as early as Feb. 28, 2000, pp. 6-7, 26-27.

Shinano Pneumatic Industries Inc. publication entitled, "AP Air," published at least as early as Feb. 28, 2000, pp. 2-5, 16-19.

Primary Examiner—Jeffrey Asch

(74) *Attorney, Agent, or Firm*—Senniger, Powers, Leavitt & Roedel

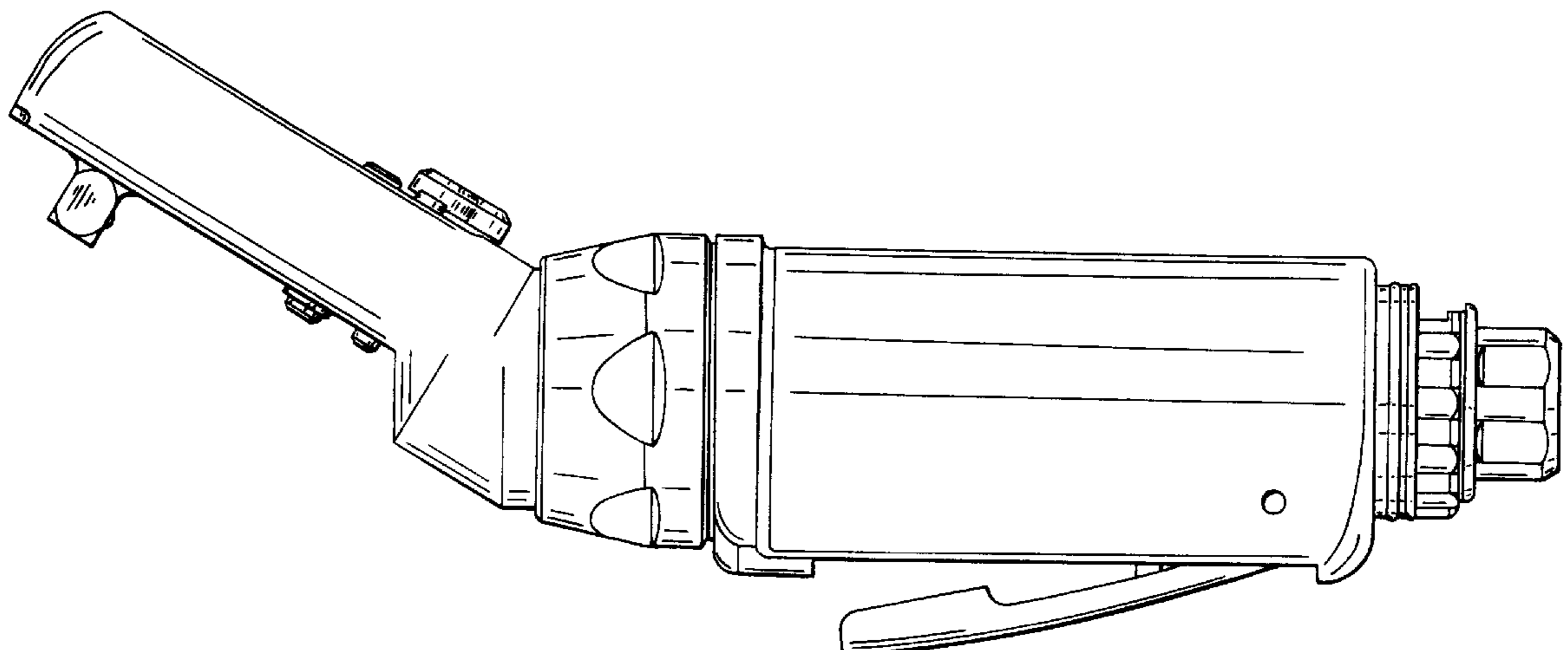
(57) **CLAIM**

The ornamental design for a square drive wrench having angled head, as shown and described.

DESCRIPTION

FIG. 1 is a right side elevation of a square drive wrench having angled head of the present invention; FIG. 2 is a left side elevation of the wrench; FIG. 3 is a top plan of the wrench; FIG. 4 is a bottom plan of the wrench; FIG. 5 is a front elevation of the wrench; and, FIG. 6 is a rear elevation of the wrench.

1 Claim, 5 Drawing Sheets



US D440,847 S

Page 2

U.S. PATENT DOCUMENTS

D. 335,808	5/1993	Bruno et al. .		3,190,183	6/1965	Walker et al. .			
D. 336,228	*	6/1993	Anderson et al.	D8/61	3,257,877	*	6/1966	Ulrich et al.	81/57.13
D. 347,372	*	5/1994	Ghode et al.	D8/61	3,786,845	*	1/1974	States	81/57.42
D. 357,848	*	5/1995	Izumisawa	D8/62	4,006,784	*	2/1977	Dudek	173/182
D. 361,028		8/1995	Izumisawa .		4,184,257	*	1/1980	Leonard	433/82
D. 363,420		10/1995	Warner .		4,185,386	*	1/1980	Nordin et al.	433/82
D. 372,850	*	8/1996	Dubuque et al.	D8/61	4,748,872		6/1988	Brown .	
D. 376,083		12/1996	Verdura et al. .		4,753,594	*	6/1988	Croll	433/125
D. 380,131	*	6/1997	Sung	D8/61	4,821,611		4/1989	Izumisawa .	
D. 380,658		7/1997	Bruno et al. .		4,822,264	*	4/1989	Kettner	418/150
D. 387,960	*	12/1997	Sung	D8/61	5,383,771		1/1995	Ghode et al. .	
D. 389,025	*	1/1998	Sung	D8/61	5,784,934		7/1998	Izumisawa .	
D. 408,241	*	4/1999	Jansson	D8/61	6,009,776		1/2000	Warren .	
D. 408,243	*	4/1999	Izumisawa	D8/61	6,087,754		7/2000	Berger .	

* cited by examiner

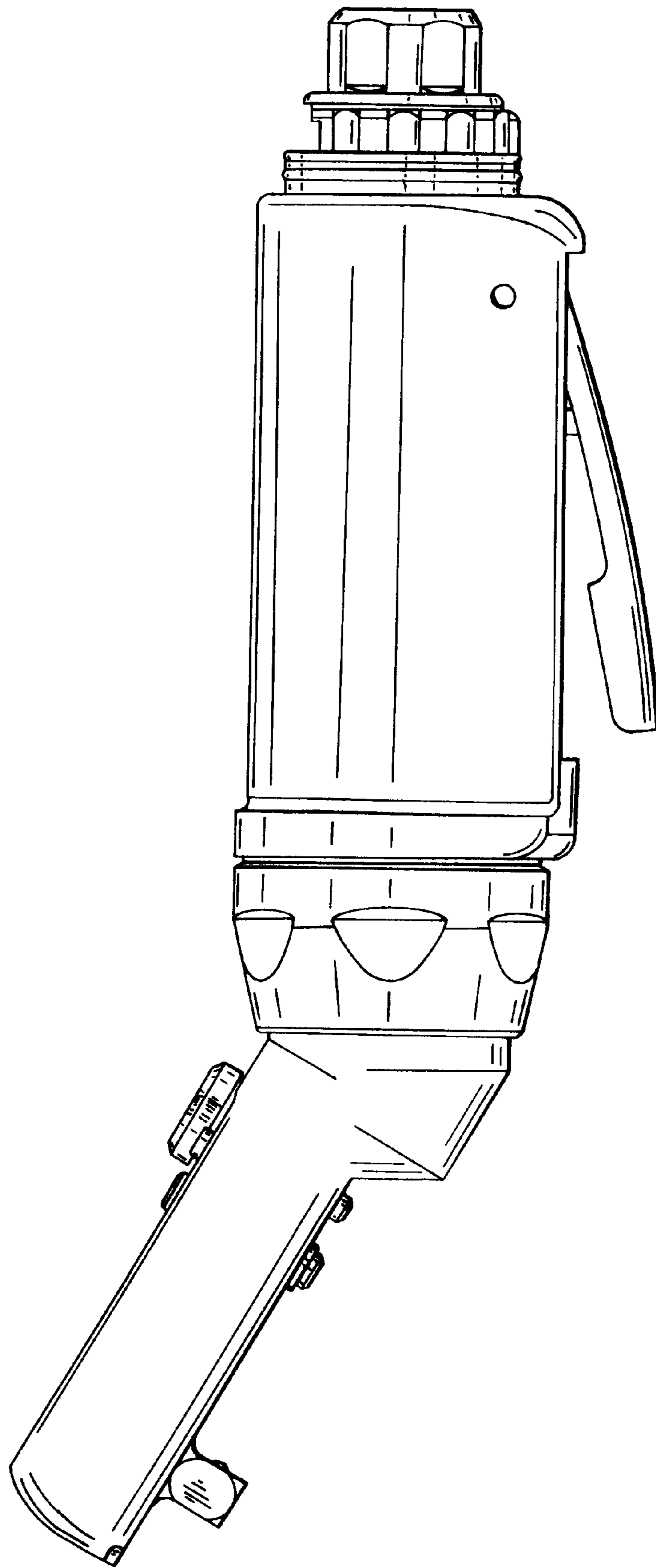


FIG. 1

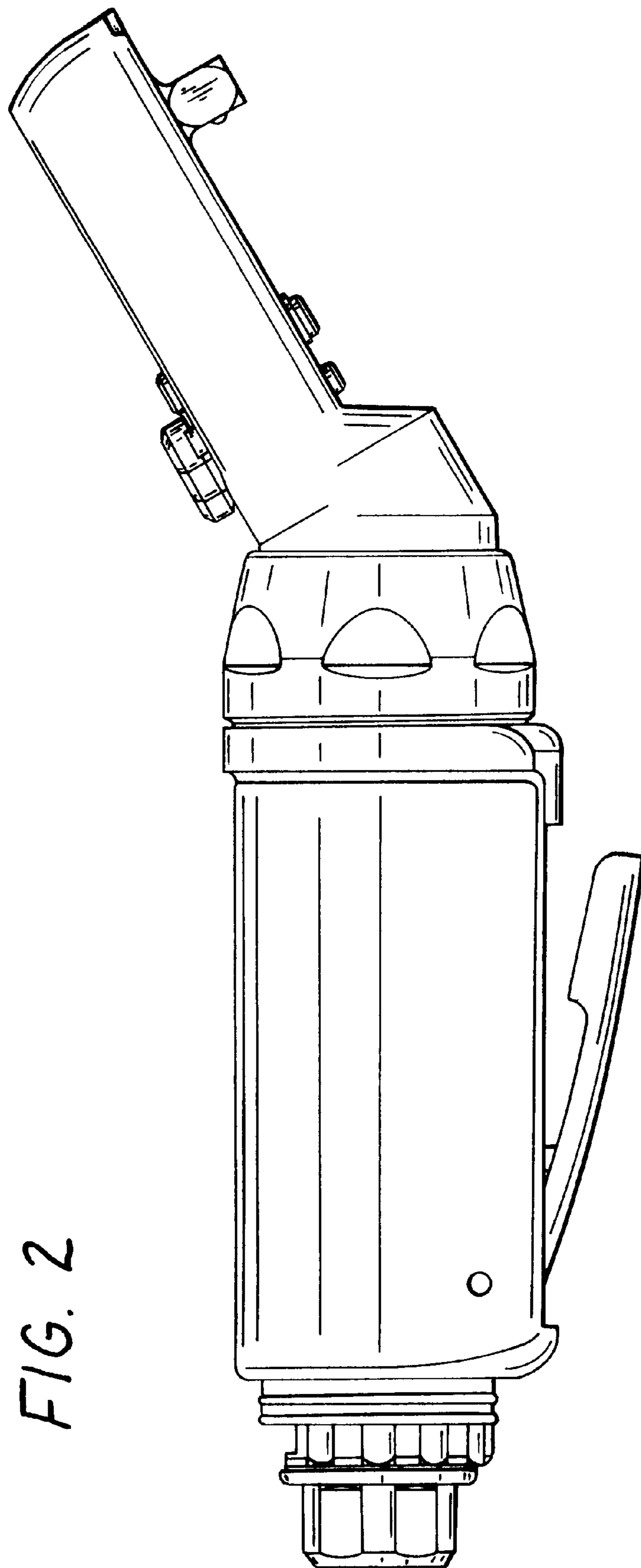


FIG. 2

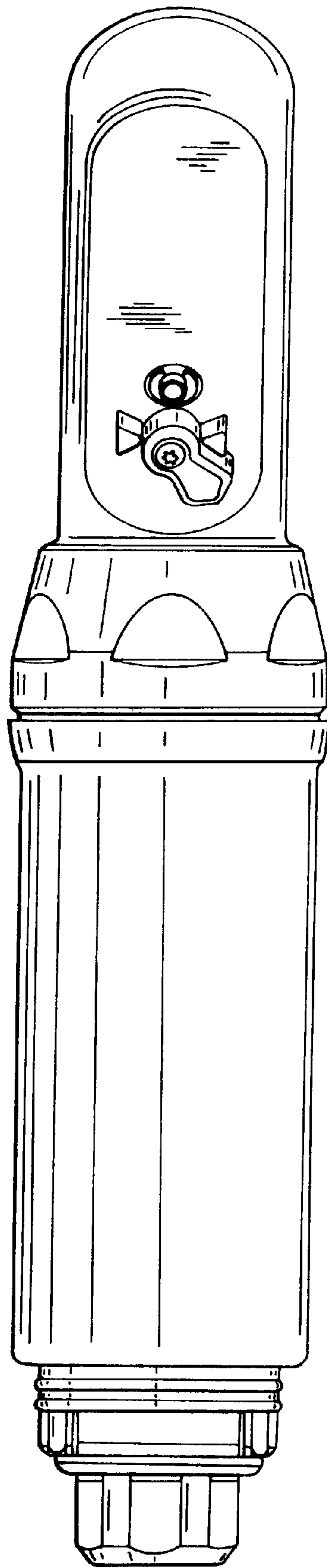


FIG. 3

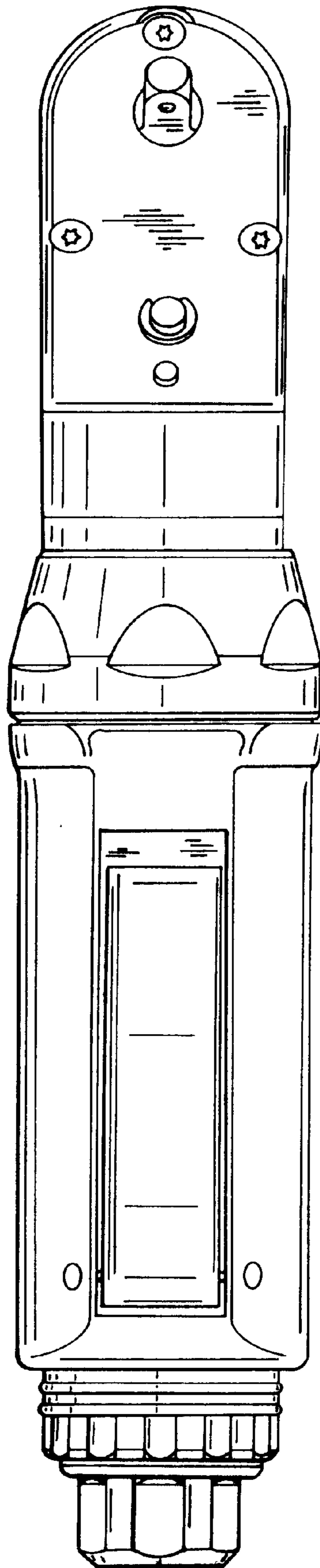


FIG. 4

FIG. 6

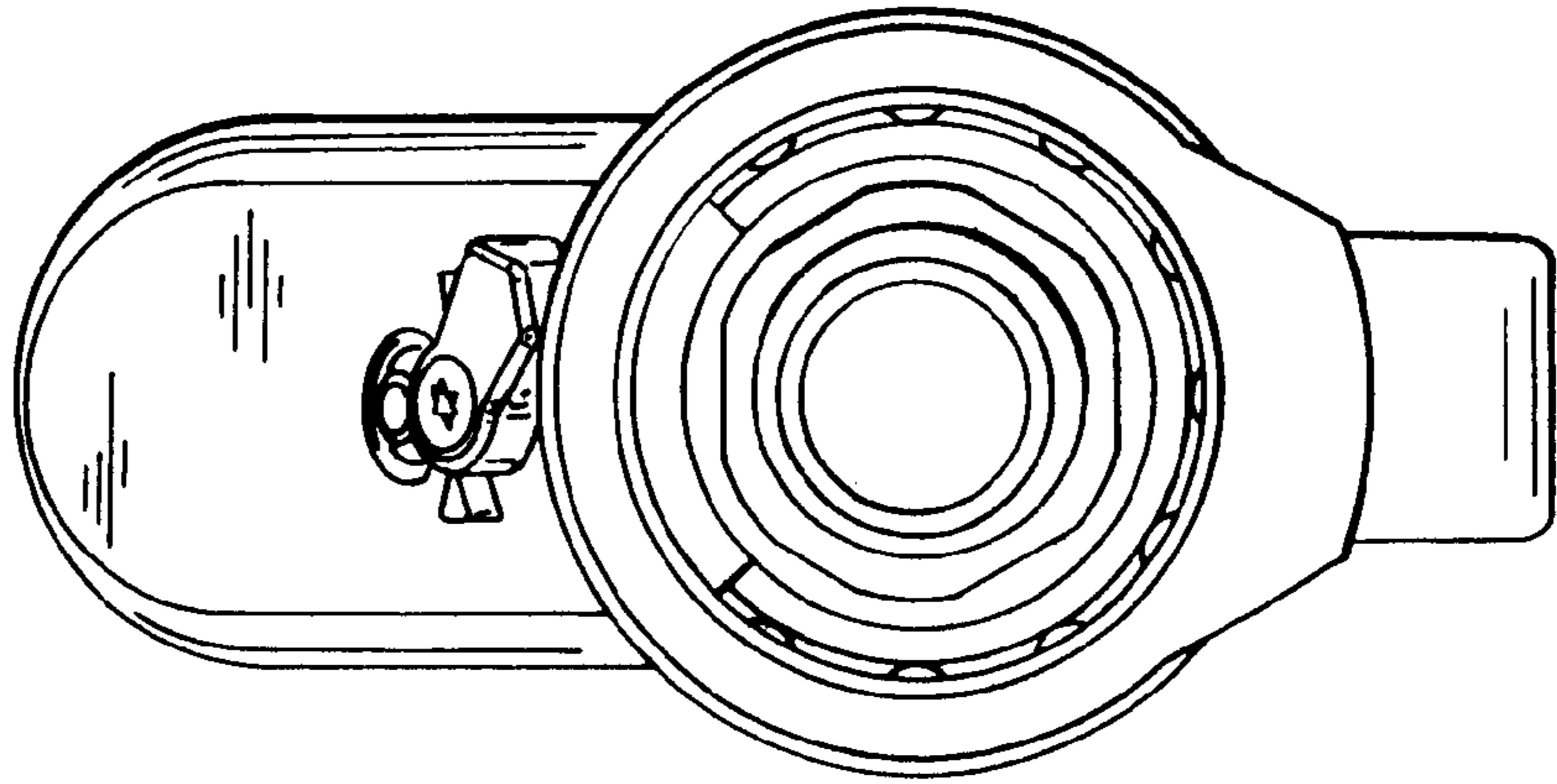


FIG. 5

