



US00D440845S

(12) **United States Design Patent**
Lackey

(10) **Patent No.:** **US D440,845 S**

(45) **Date of Patent:** **** Apr. 24, 2001**

(54) **TORQUE MULTIPLYING DEVICE**

(75) Inventor: **David F. Lackey**, Yellow Springs, OH
(US)

(73) Assignee: **Deuer Manufacturing, Inc.**, Dayton,
OH (US)

(**) Term: **14 Years**

(21) Appl. No.: **29/125,057**

(22) Filed: **Jun. 19, 2000**

(51) **LOC (7) Cl.** **08-05**

(52) **U.S. Cl.** **D8/51; D8/29**

(58) **Field of Search** D8/14, 51, 29;
81/57.31, 57.42, 57.22; 475/178

(56) **References Cited**

U.S. PATENT DOCUMENTS

3,861,244	*	1/1975	MacDonald	475/178
4,063,475	*	12/1977	Perkins	294/133
4,279,314	*	7/1981	Taub	173/216
5,123,308		6/1992	Shaffer	81/57.31

5,125,297 * 6/1992 Bai et al. 81/57.31

5,176,047 * 1/1993 Bai et al. 81/57.31

5,616,095 4/1997 Pruitt 475/178

* cited by examiner

Primary Examiner—Philip S. Hyder

(74) *Attorney, Agent, or Firm*—Jacox, Meckstroth &
Jenkins

(57) **CLAIM**

The ornamental design of a torque multiplying device, as shown and described.

DESCRIPTION

FIG. 1 is a perspective view of a torque multiplying device showing my new design;
FIG. 2 is a top view thereof;
FIG. 3 is an end view thereof;
FIG. 4 is a bottom view thereof;
FIG. 5 is a side view thereof, the opposite side view being a mirror image; and,
FIG. 6 is a view of the opposite end thereof.

1 Claim, 2 Drawing Sheets

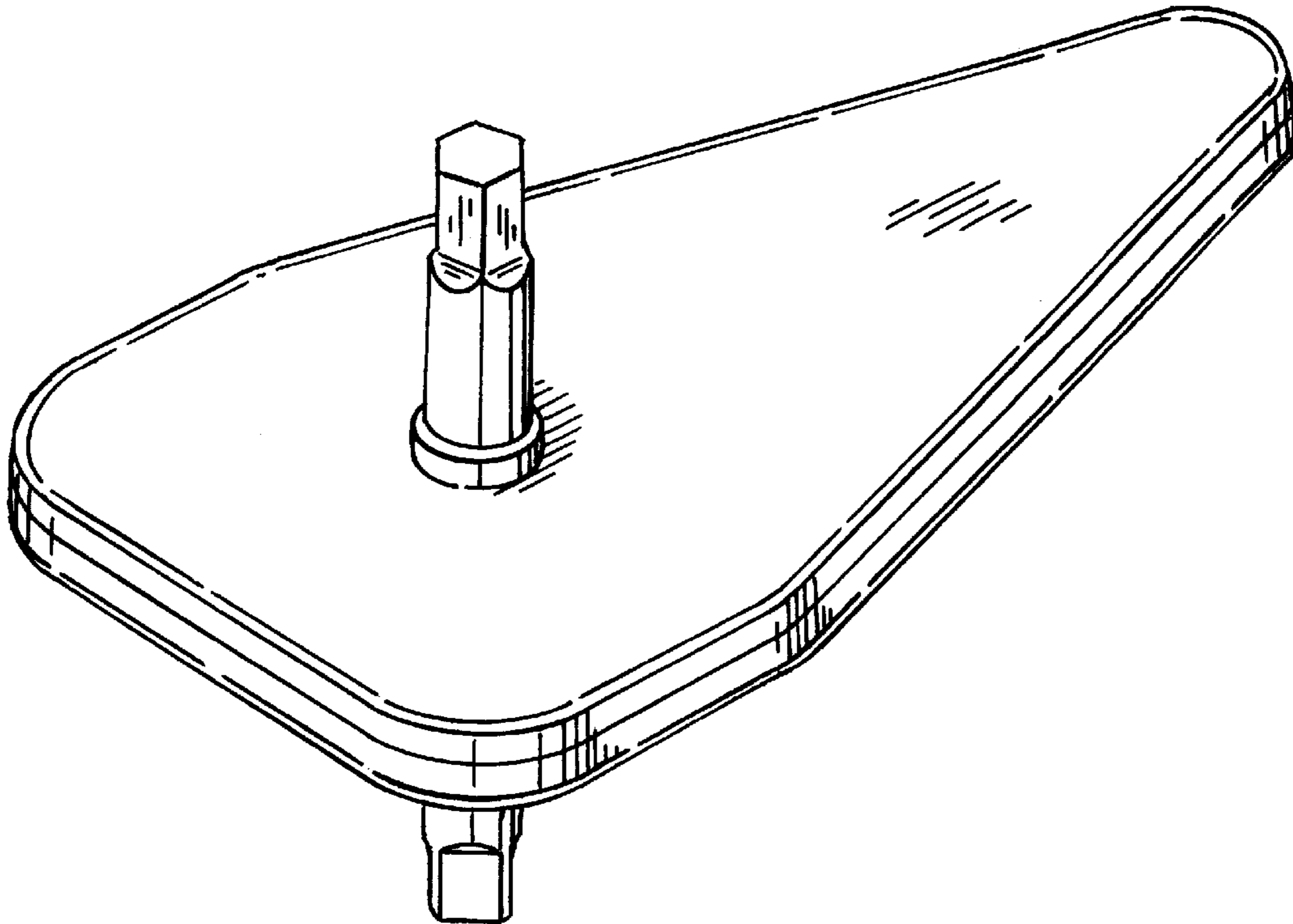


FIG-1

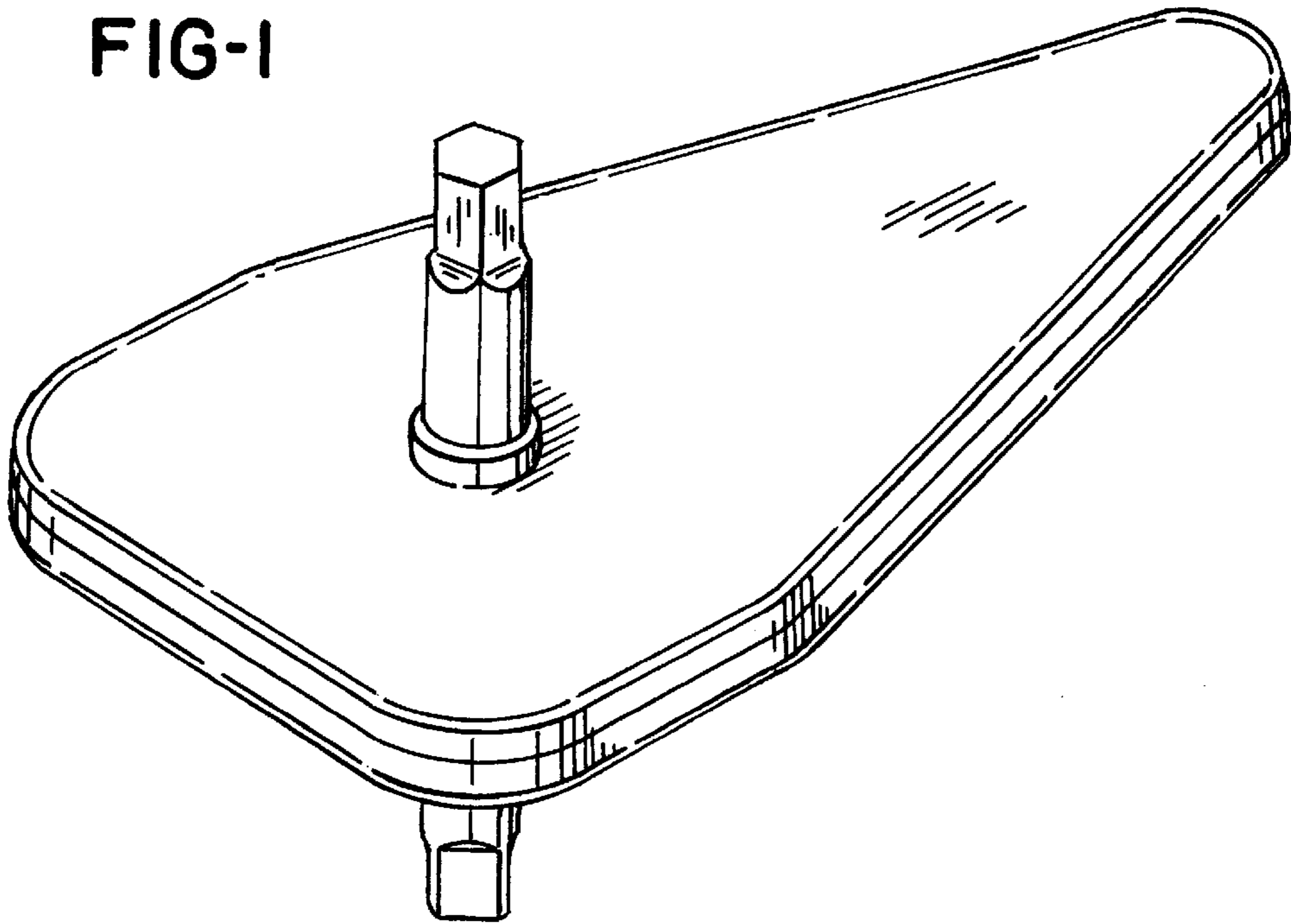


FIG-2

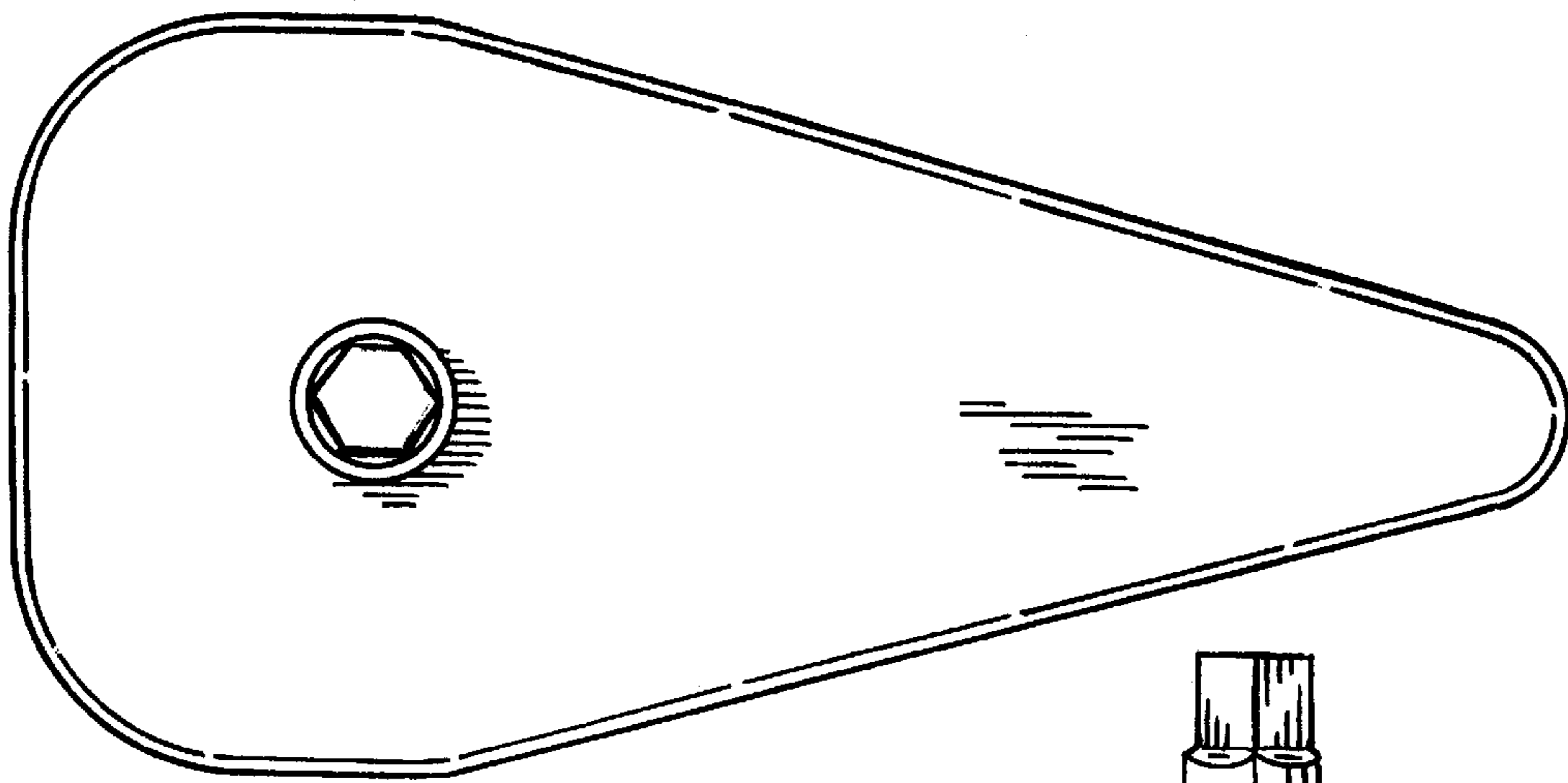


FIG-3

