



US00D440844S

(12) **United States Design Patent**  
**Fallandy**

(10) **Patent No.:** **US D440,844 S**

(45) **Date of Patent:** **\*\* Apr. 24, 2001**

(54) **IMPACT PUNCHDOWN TOOL**

(75) Inventor: **Michael M. Fallandy**, Ventura, CA  
(US)

(73) Assignee: **Harris Corporation**, Melbourne, FL  
(US)

(\*\*) Term: **14 Years**

(21) Appl. No.: **29/098,077**

(22) Filed: **Dec. 21, 1998**

(51) **LOC (7) Cl.** ..... **08-05**

(52) **U.S. Cl.** ..... **D8/51**

(58) **Field of Search** ..... D8/14, 51; 29/566.4,  
29/751

(56) **References Cited**

**U.S. PATENT DOCUMENTS**

|            |   |         |          |       |          |
|------------|---|---------|----------|-------|----------|
| D. 359,208 | * | 6/1995  | Ivey     | ..... | D8/14    |
| D. 382,454 | * | 8/1997  | McMahon  | ..... | D8/51    |
| 3,708,852  | * | 1/1973  | Mason    | ..... | 29/566.4 |
| 3,898,724  | * | 8/1975  | Conorich | ..... | 29/566.4 |
| 4,241,496  | * | 12/1980 | Gregson  | ..... | 29/566.4 |

4,412,374 \* 11/1983 Forberg et al. .... 29/566.4

4,958,427 \* 9/1990 Smith et al. .... 29/566.4

5,195,230 \* 3/1993 Krietzman ..... 29/566.4

\* cited by examiner

*Primary Examiner*—James Gandy

*Assistant Examiner*—Reid Hecker

(74) *Attorney, Agent, or Firm*—Harry M. Fleck

(57) **CLAIM**

I claim the ornamental design for impact punchdown tool, as shown and described.

**DESCRIPTION**

FIG. 1 is an isometric view of the present invention from the top and left side;

FIG. 2 is an isometric view from the bottom and left side;

FIG. 3 is a top plan view;

FIG. 4 is a bottom plan view;

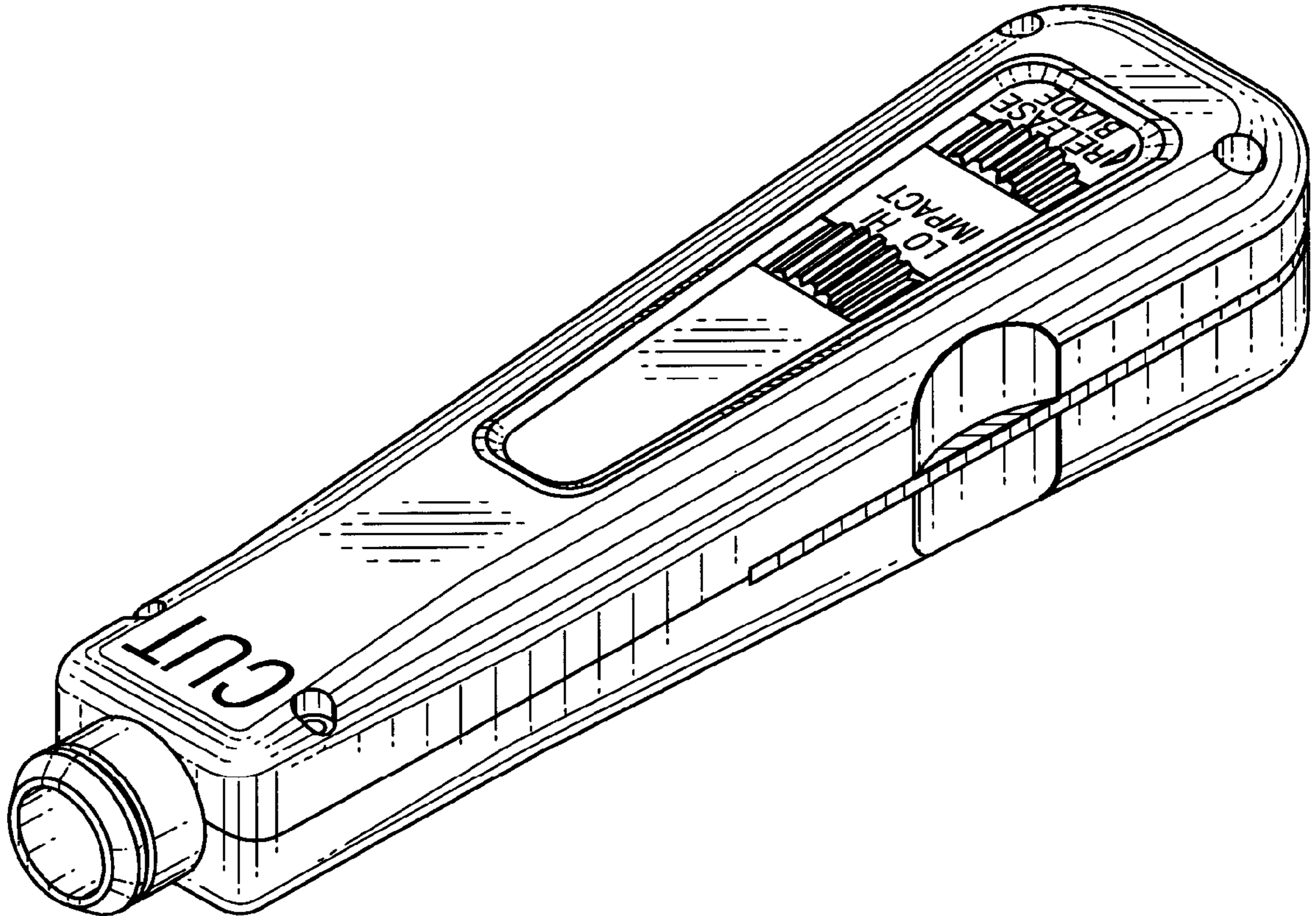
FIG. 5 is a left side elevation view;

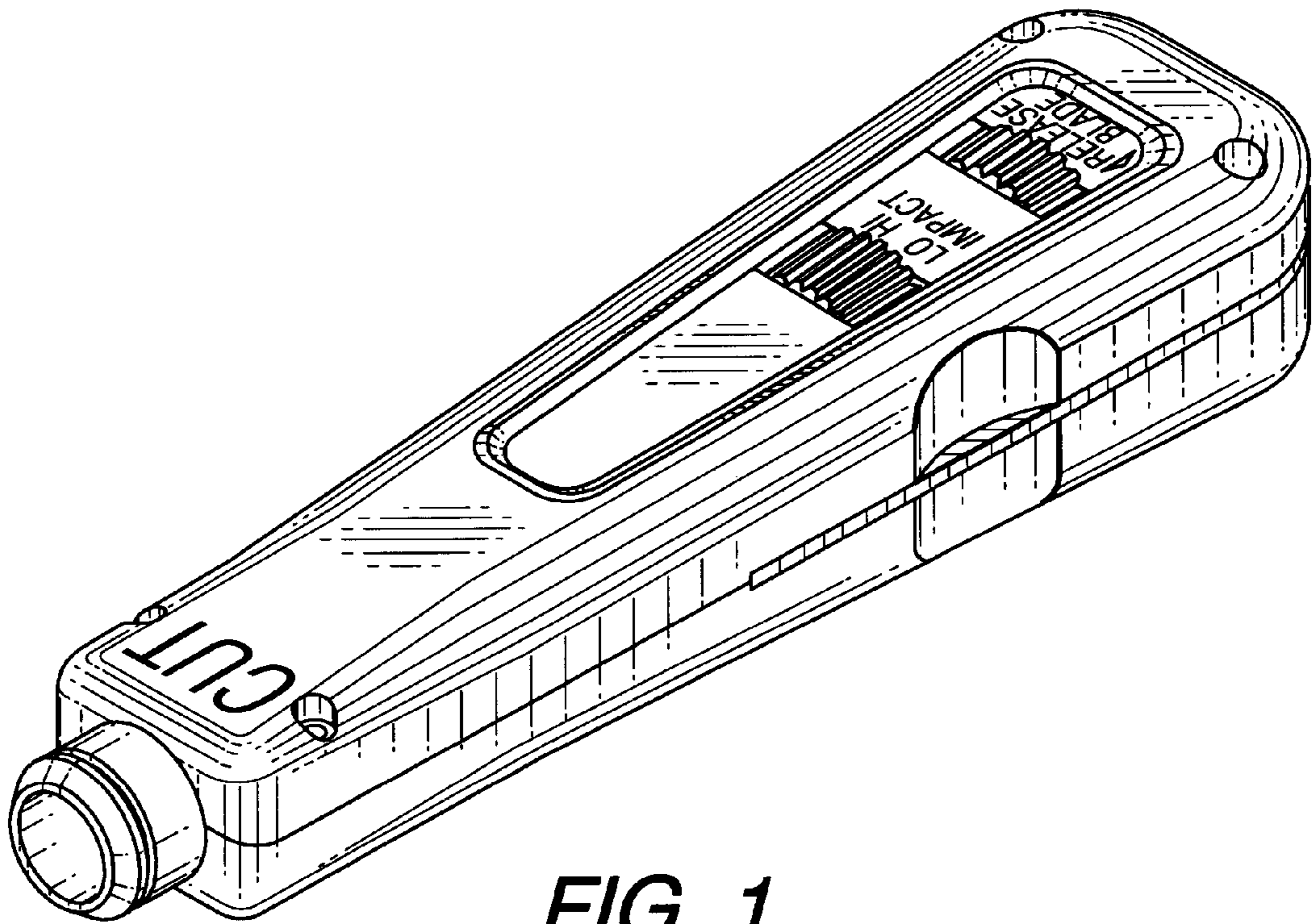
FIG. 6 is a right side elevation view;

FIG. 7 is a front end elevation view; and,

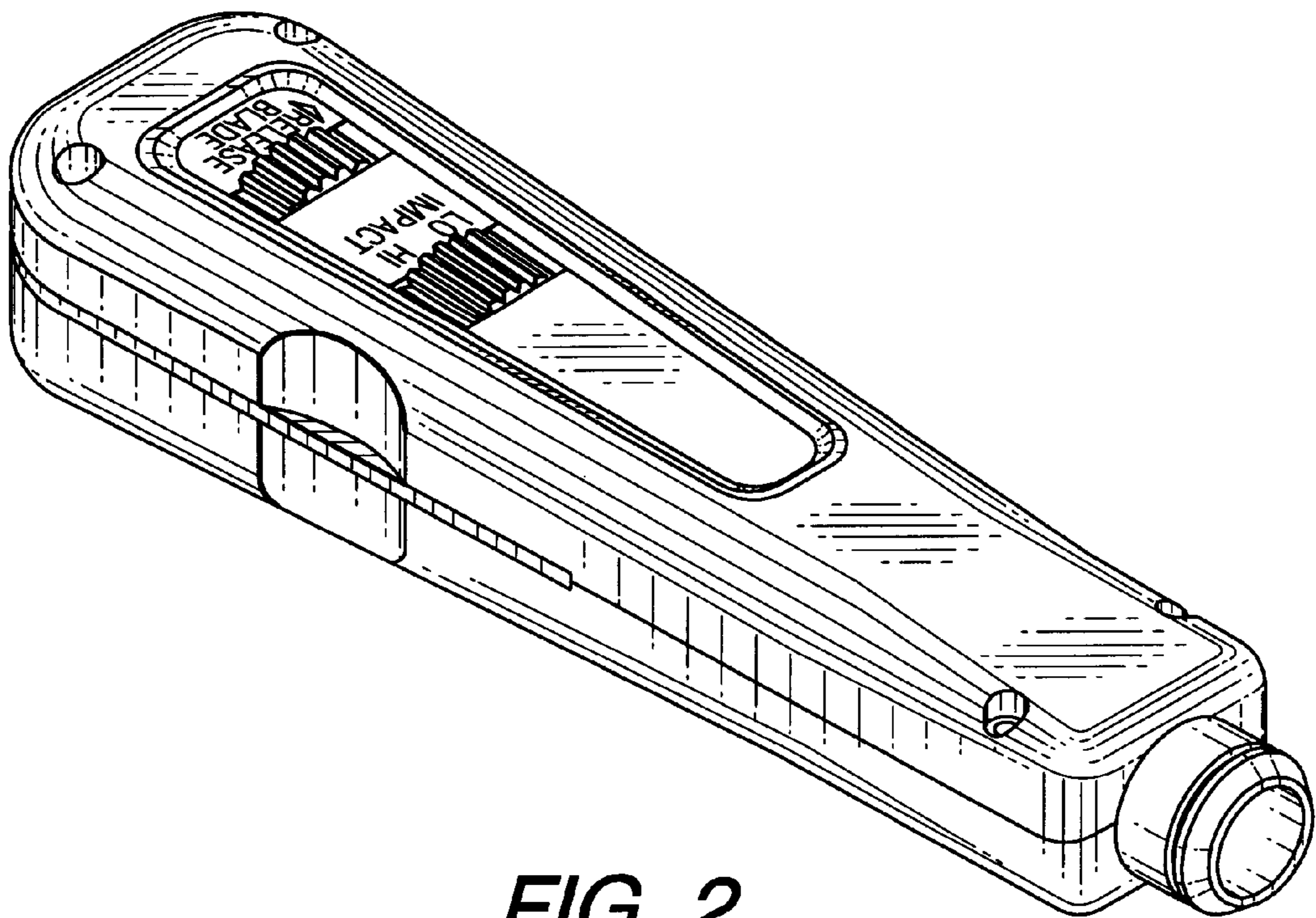
FIG. 8 is a rear end elevation view.

**1 Claim, 3 Drawing Sheets**

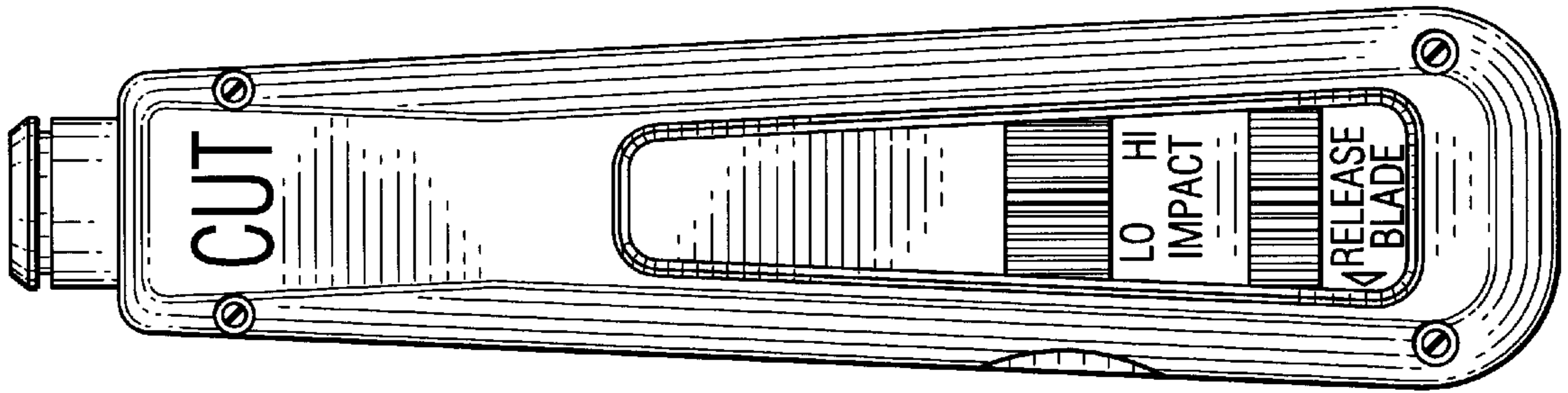




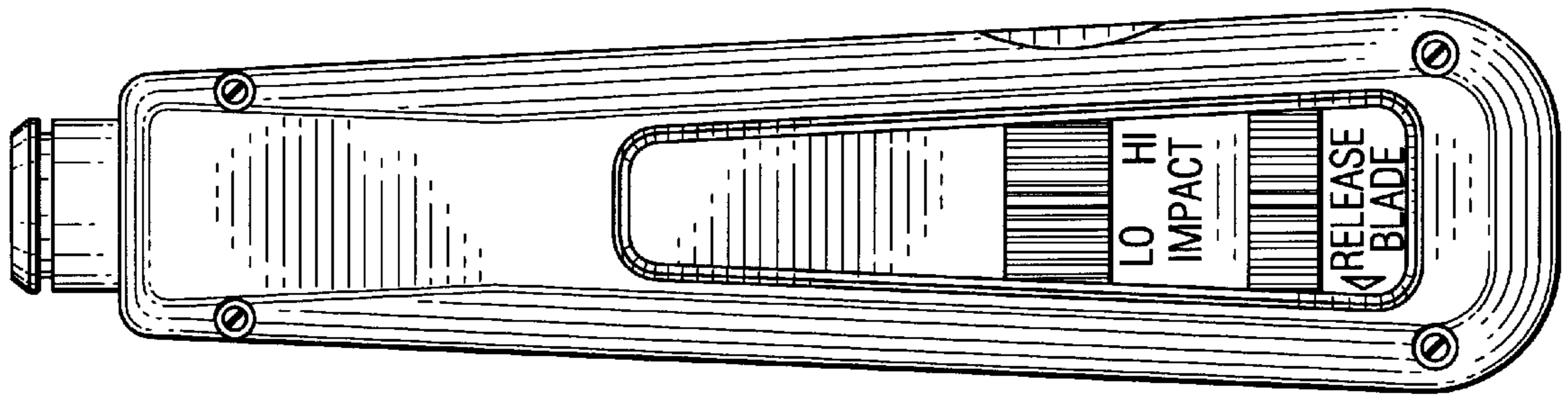
**FIG. 1**



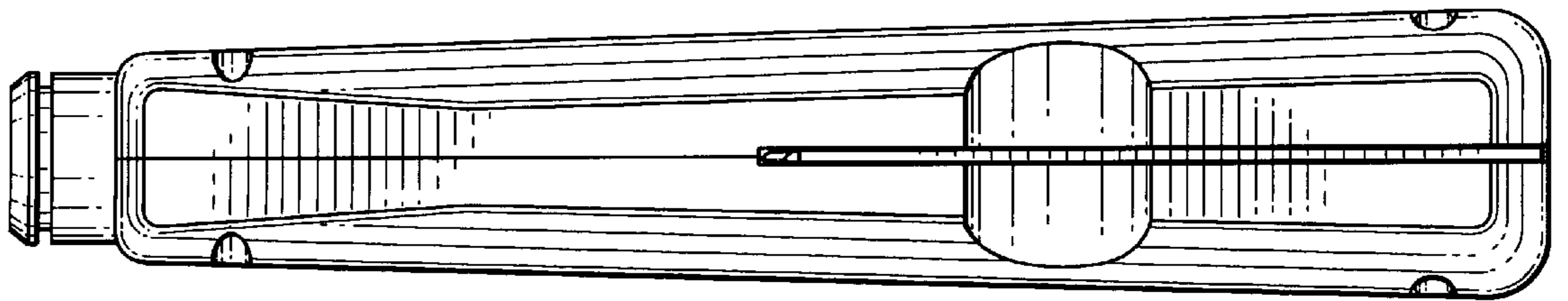
**FIG. 2**



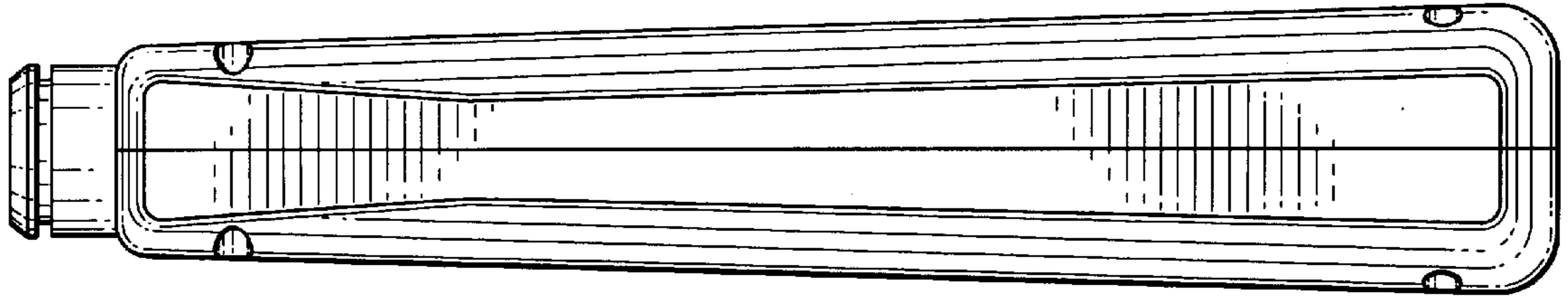
*FIG. 3*



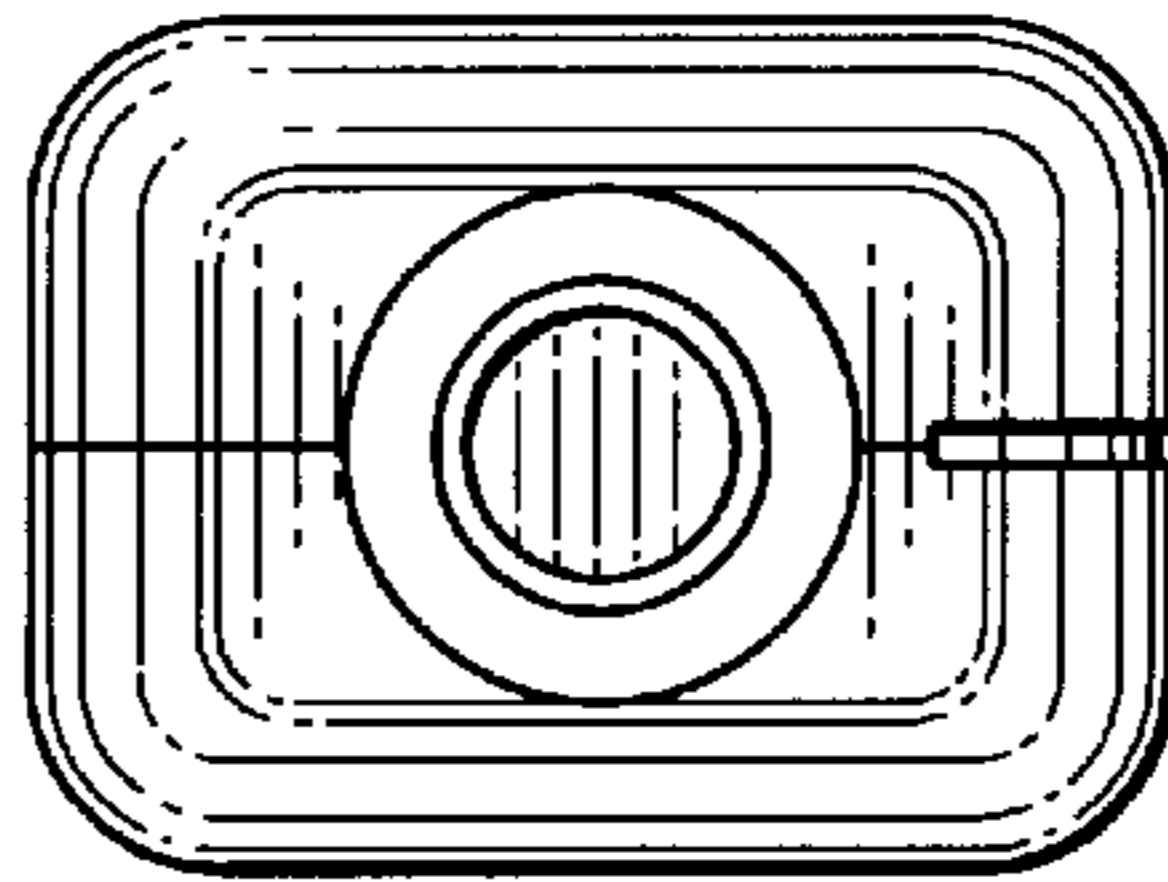
*FIG. 4*



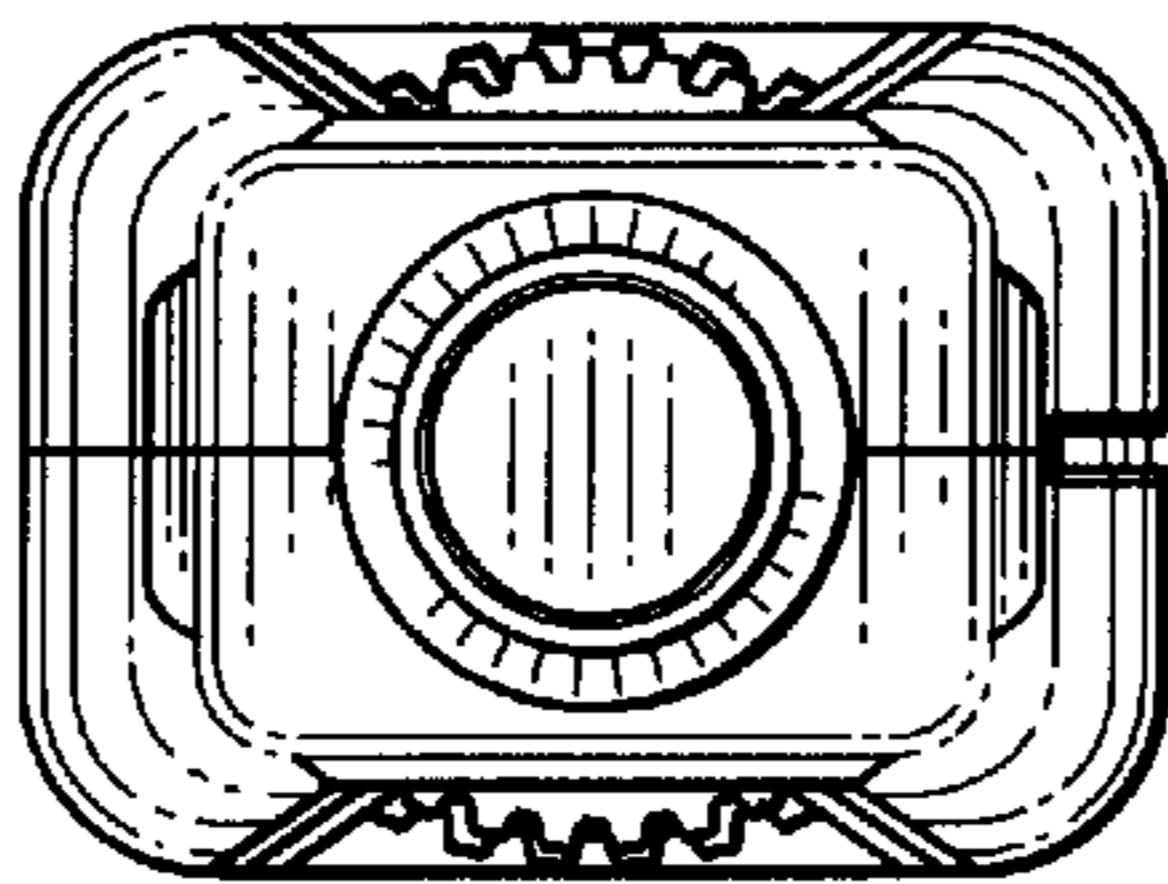
*FIG. 5*



*FIG. 6*



*FIG. 8*



*FIG. 7*