



US00D440842S

(12) **United States Design Patent**
Vandergaw

(10) **Patent No.:** **US D440,842 S**

(45) **Date of Patent:** **** Apr. 24, 2001**

(54) **JAR OPENER**

(76) Inventor: **Dale Vandergaw**, 4840 Eastcliff Ct.,
San Diego, CA (US) 92130

(**) Term: **14 Years**

(21) Appl. No.: **29/128,480**

(22) Filed: **Aug. 25, 2000**

(51) **LOC (7) Cl.** **07-99**

(52) **U.S. Cl.** **D8/39; D8/40**

(58) **Field of Search** D8/33-43, 18,
D8/19; 30/400-443; 81/3.07-3.49; 7/151-156

(56) **References Cited**

U.S. PATENT DOCUMENTS

D. 145,683	*	10/1946	Yates	D8/40
D. 350,264	*	9/1994	Friend	D8/43
1,168,669	*	1/1916	Murdick et al.	81/3.42
1,638,185	*	8/1927	Craig	7/152
2,458,806	*	1/1949	Tippett	81/3.56
2,931,258	*	4/1960	Ronning	81/3.44
2,974,410	*	3/1961	Sano	30/446
3,604,289	*	9/1971	Steel	81/3.42

4,052,917	*	10/1977	Gee	81/3.42
4,995,295	*	2/1991	Floyd	81/3.44
5,083,482	*	1/1992	Floyd	81/3.44

* cited by examiner

Primary Examiner—Jeffrey Asch

(74) *Attorney, Agent, or Firm*—Gary L. Eastman, Esq.

(57) **CLAIM**

The ornamental design for a jar opener, as shown and described.

DESCRIPTION

FIG. 1 is a perspective view of a jar opener showing my new design;

FIG. 2 is a left side view thereof;

FIG. 3 is a right side view thereof;

FIG. 4 is a top view thereof;

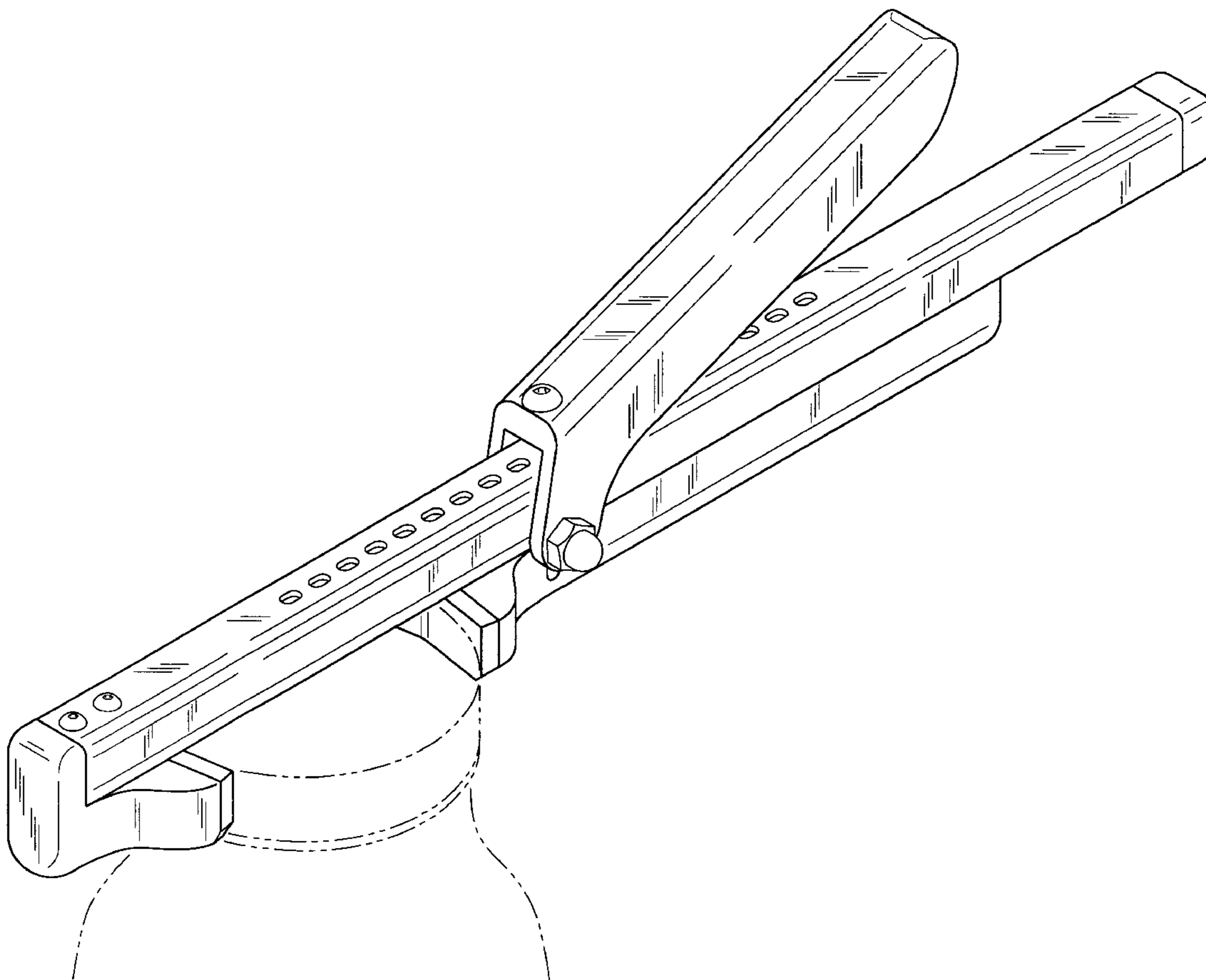
FIG. 5 is a bottom view of thereof;

FIG. 6 is a back view thereof; and,

FIG. 7 is a front view thereof.

The broken line showing of a jar in FIG. 1 is for illustrative purposes only and forms no part of the claimed design.

1 Claim, 3 Drawing Sheets



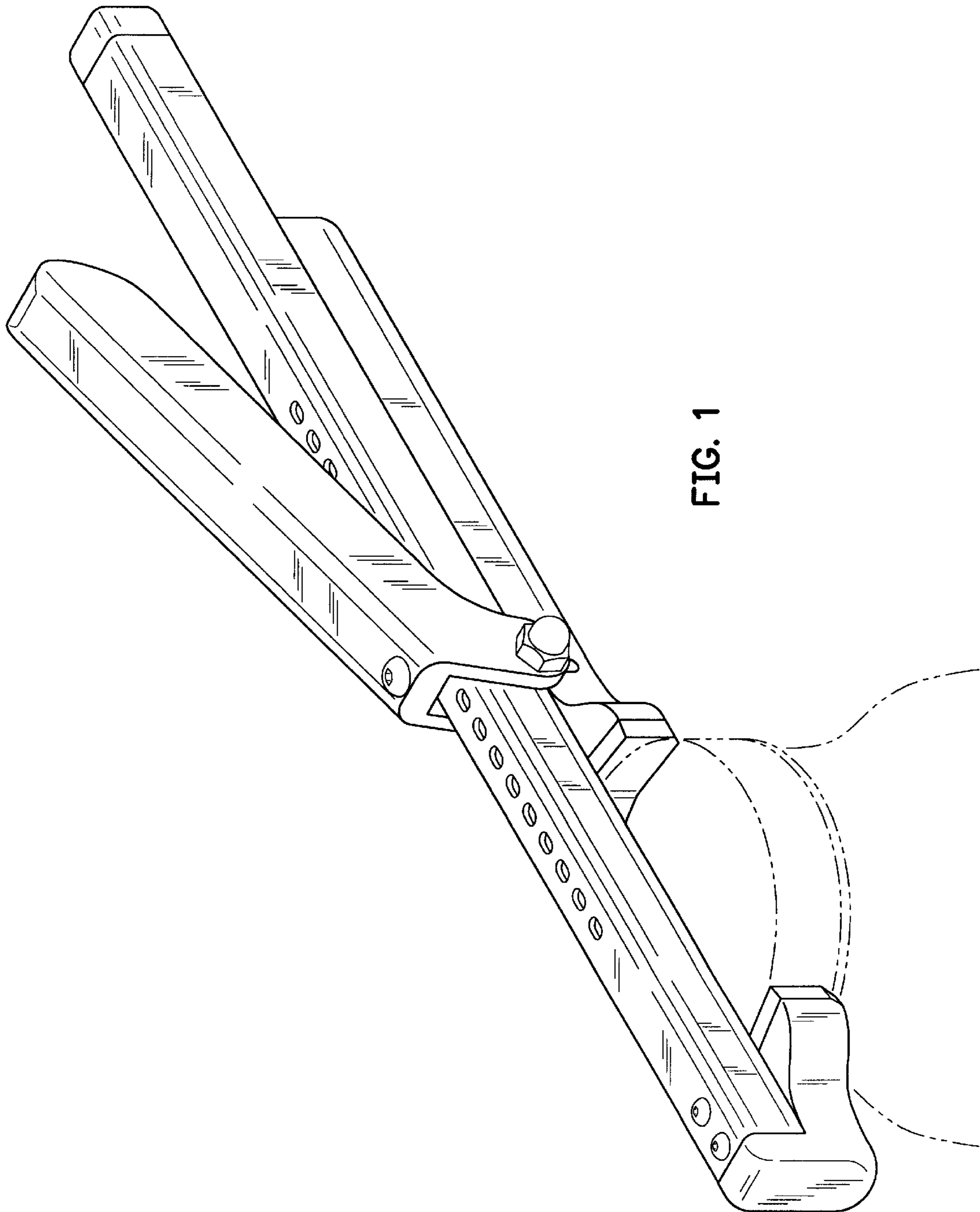


FIG. 1

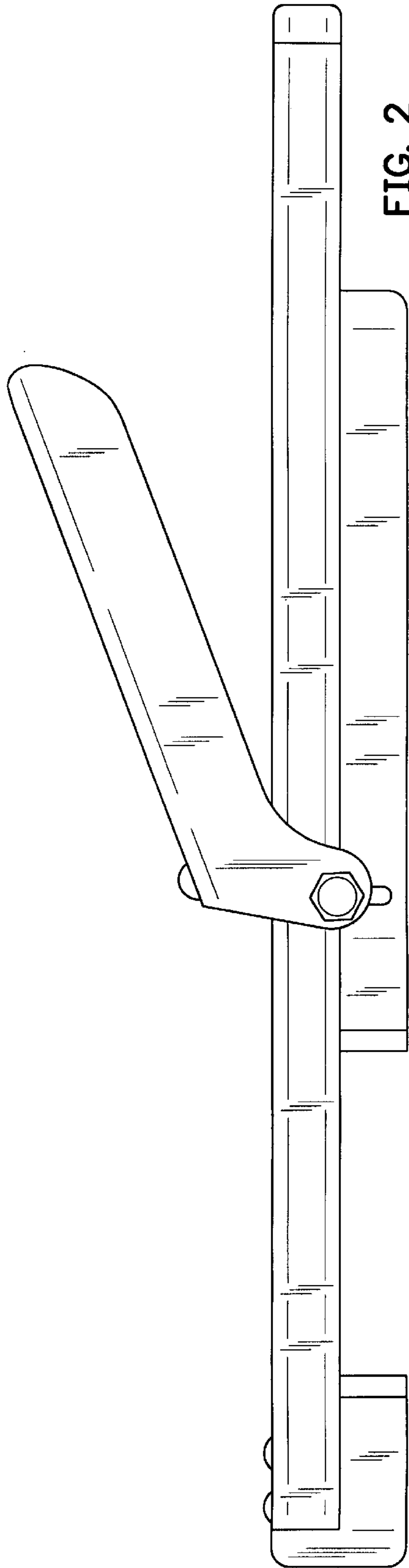


FIG. 2

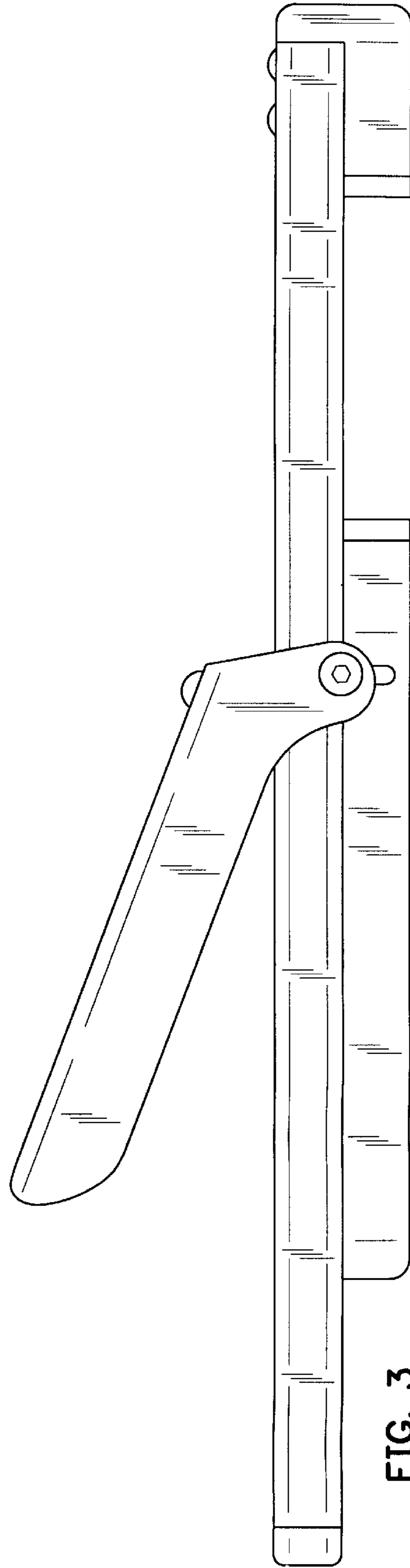


FIG. 3

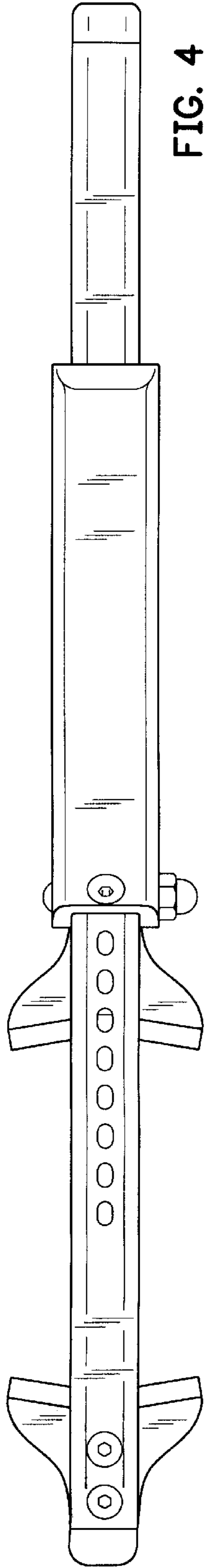


FIG. 4

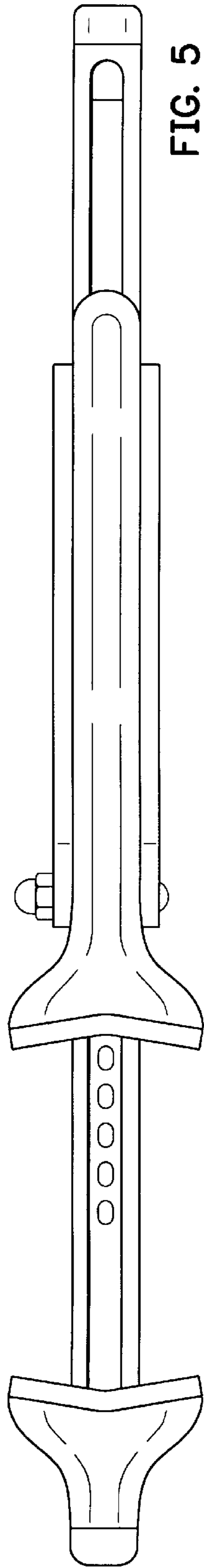


FIG. 5

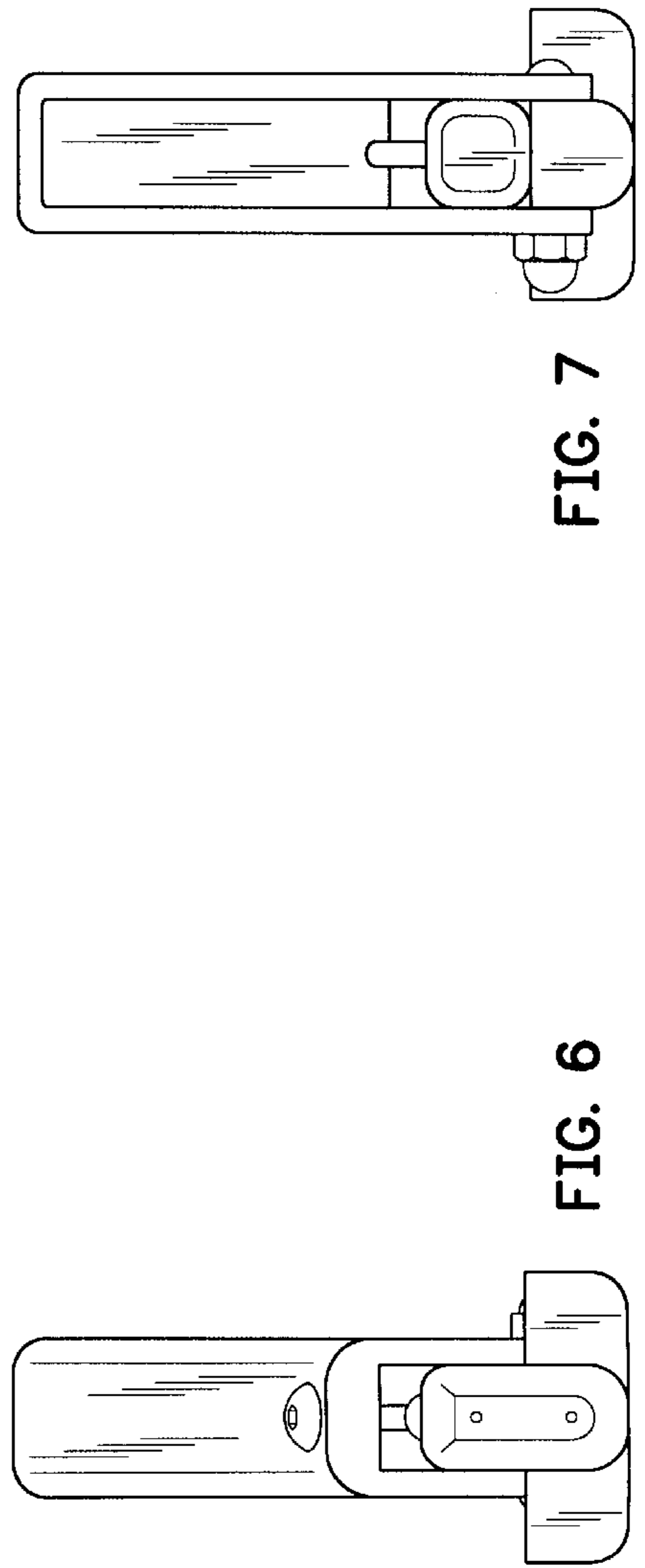


FIG. 7

FIG. 6