



US00D440841S

(12) **United States Design Patent**
Murphy

(10) **Patent No.:** **US D440,841 S**

(45) **Date of Patent:** **** Apr. 24, 2001**

(54) **WRENCH SOCKET DRIVER**

5,109,737 * 5/1992 Raber 81/177.2

(76) Inventor: **Robert C. Murphy**, 83 Hart Ave.,
Hopewell, NJ (US) 08525

* cited by examiner

(**) Term: **14 Years**

Primary Examiner—Raphael Barkai

(74) *Attorney, Agent, or Firm*—Sperry, Zoda & Kane

(21) Appl. No.: **29/129,920**

(57) **CLAIM**

(22) Filed: **Sep. 25, 2000**

The ornamental design for a wrench socket driver, as shown and described.

(51) **LOC (7) Cl.** **08-05**

DESCRIPTION

(52) **U.S. Cl.** **D8/29**

(58) **Field of Search** D8/21-29, 17;
81/177.2, 180.1, 177.5, 119, 121.1

FIG. 1 is a front perspective illustration embodying my new design;

FIG. 2 is a left side view;

FIG. 3 is a right side view;

FIG. 4 is a top view;

FIG. 5 is a front view; and,

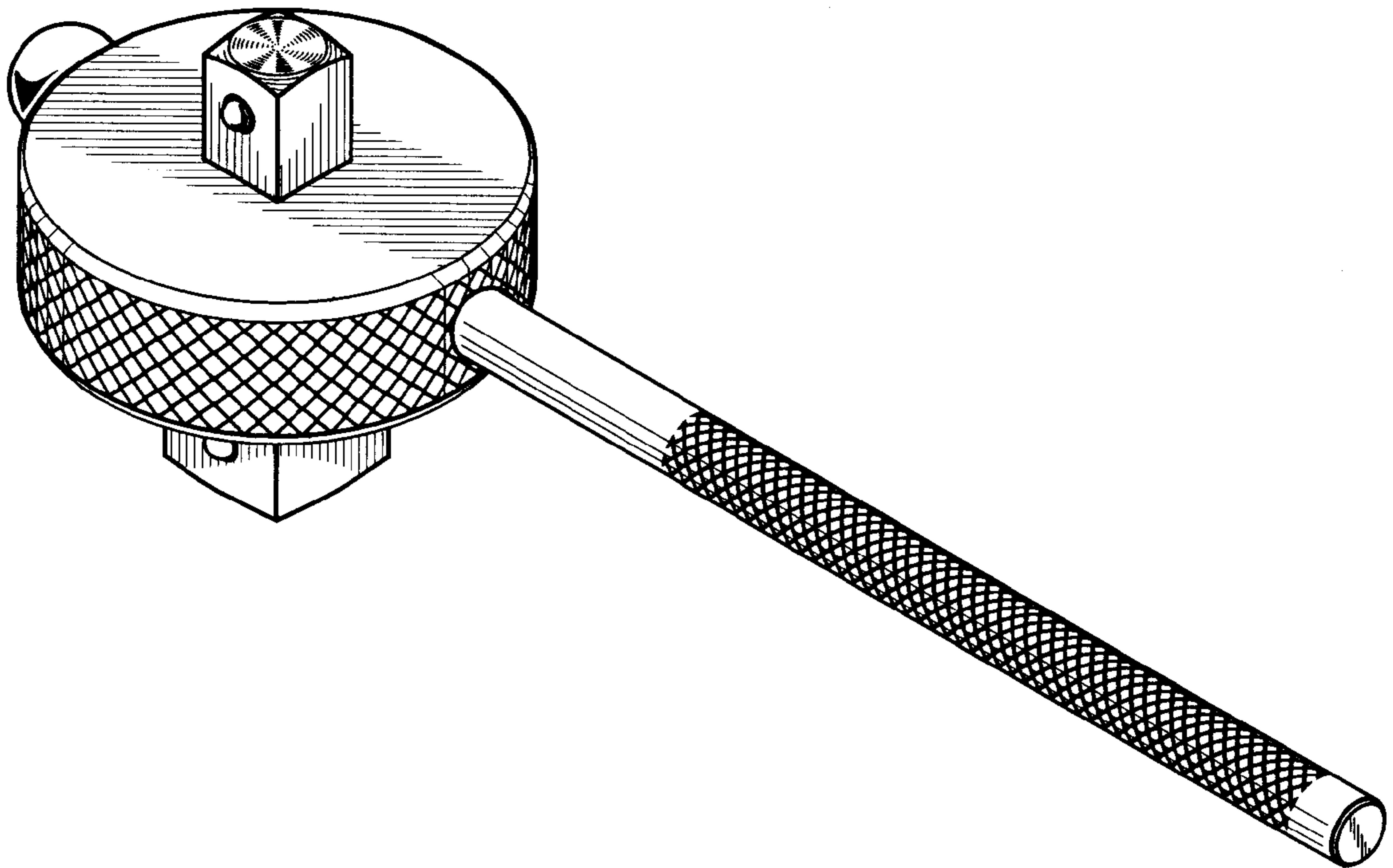
FIG. 6 is a bottom view.

(56) **References Cited**

U.S. PATENT DOCUMENTS

- D. 238,546 * 1/1976 Cullinane, Jr. D8/29
- D. 359,430 * 6/1995 Hilton D8/29
- 4,065,987 * 1/1978 Rager 81/177.2
- 4,070,932 * 1/1978 Jeannotte 81/177.2

1 Claim, 2 Drawing Sheets



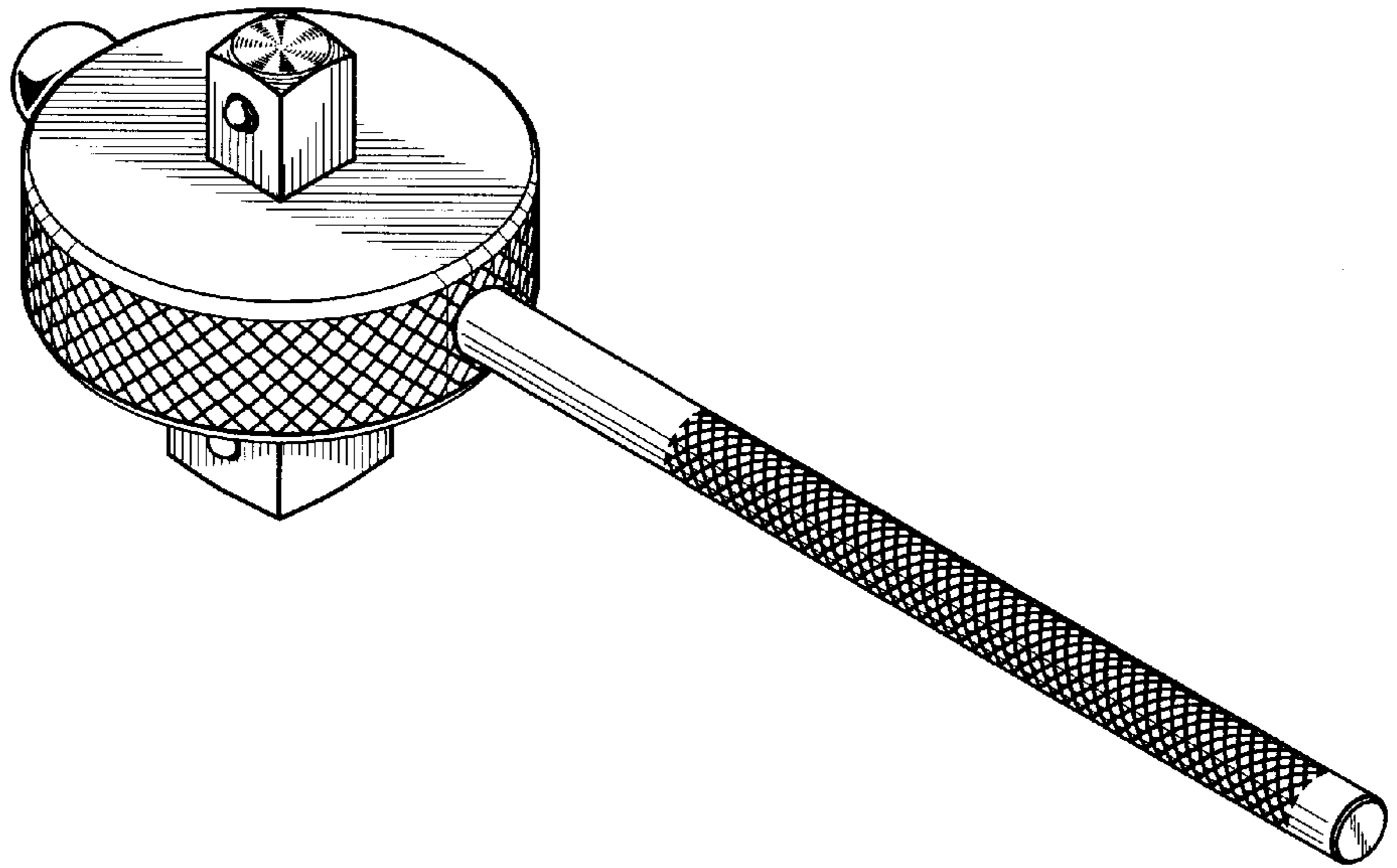


FIG. 1

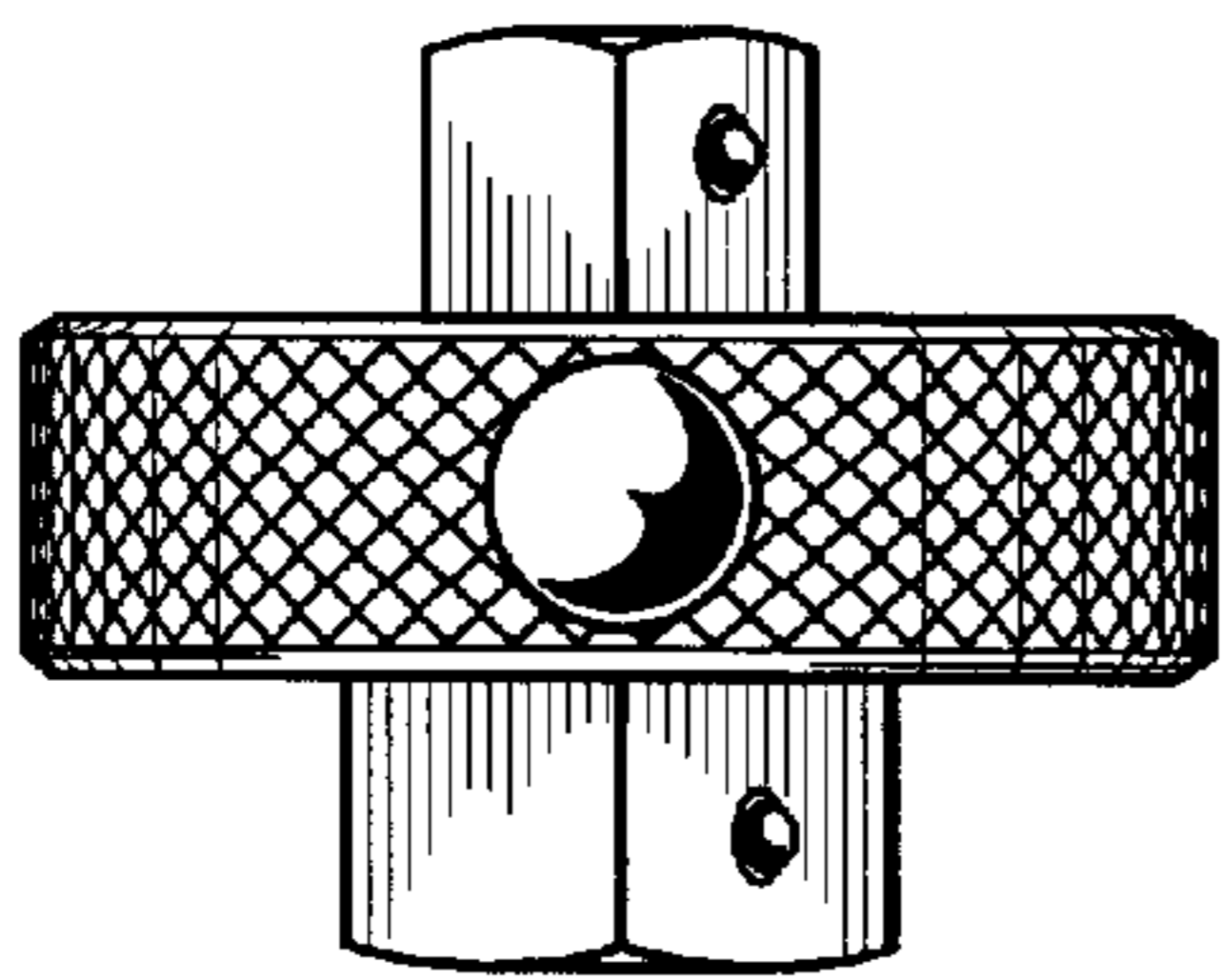


FIG. 2

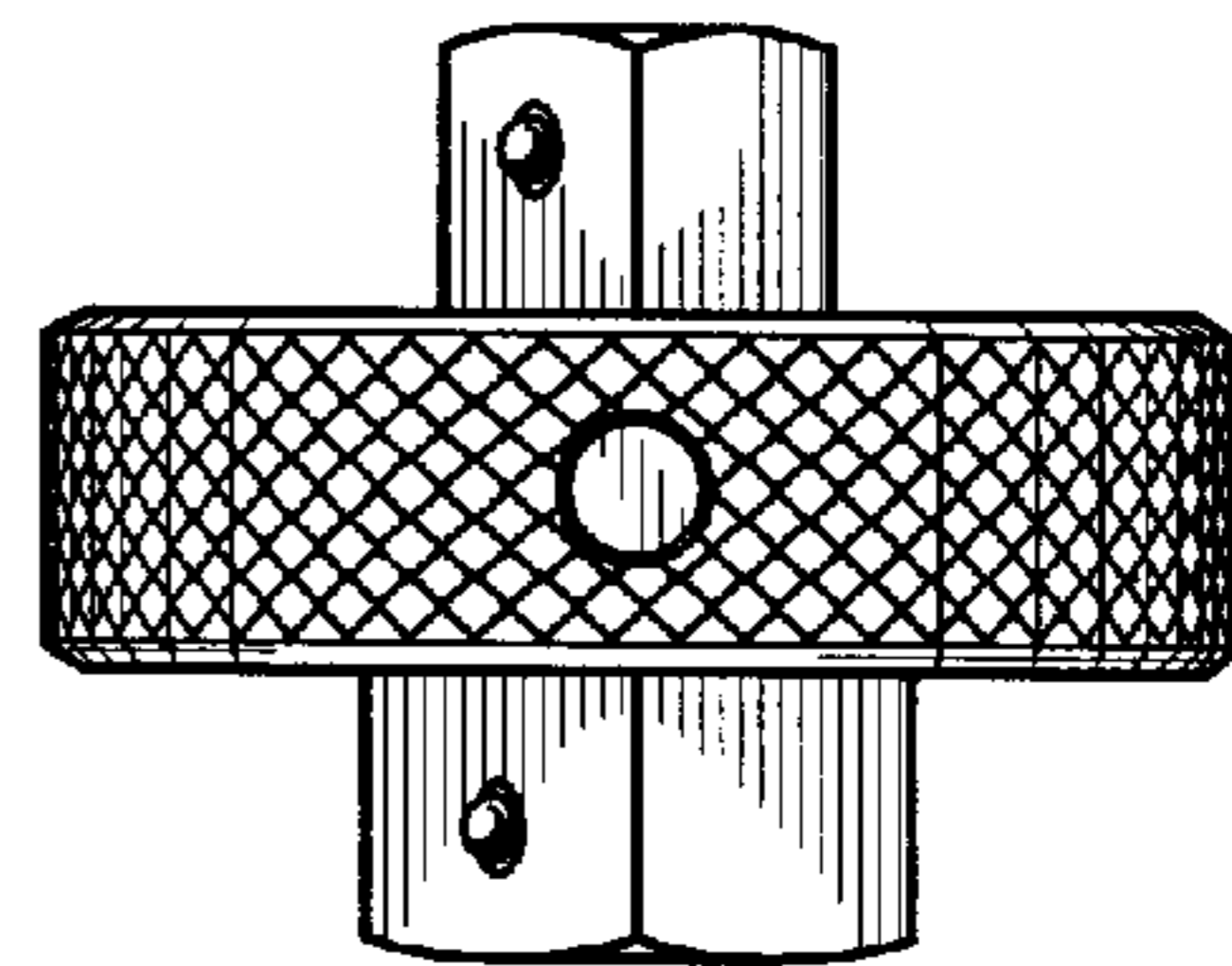


FIG. 3

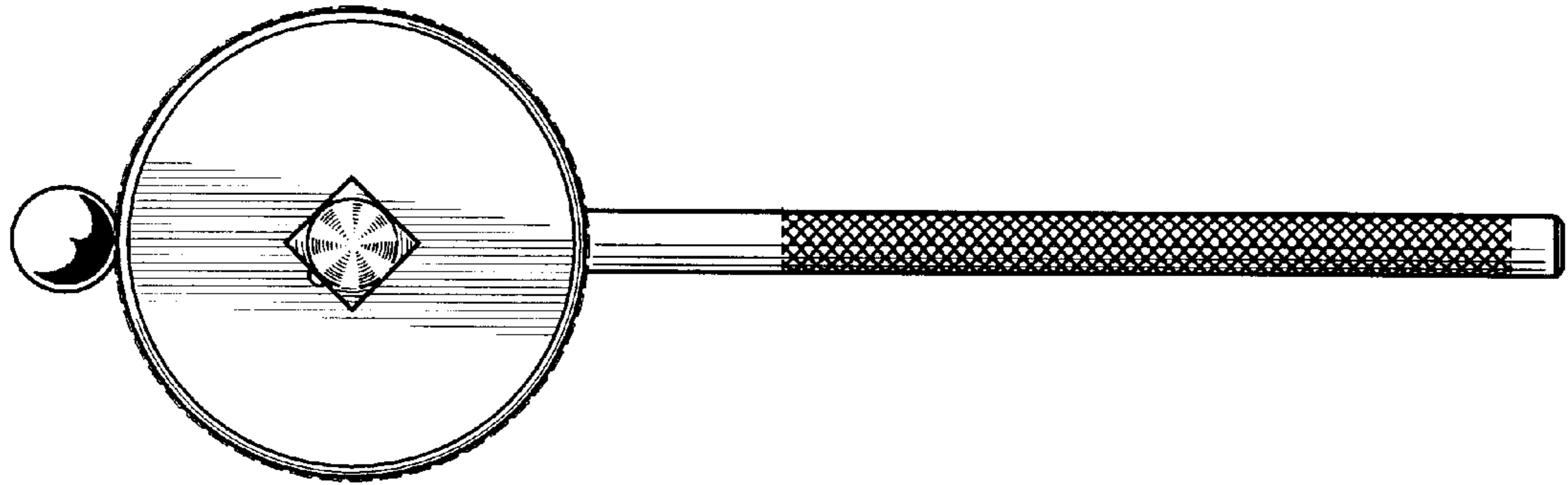


FIG. 4

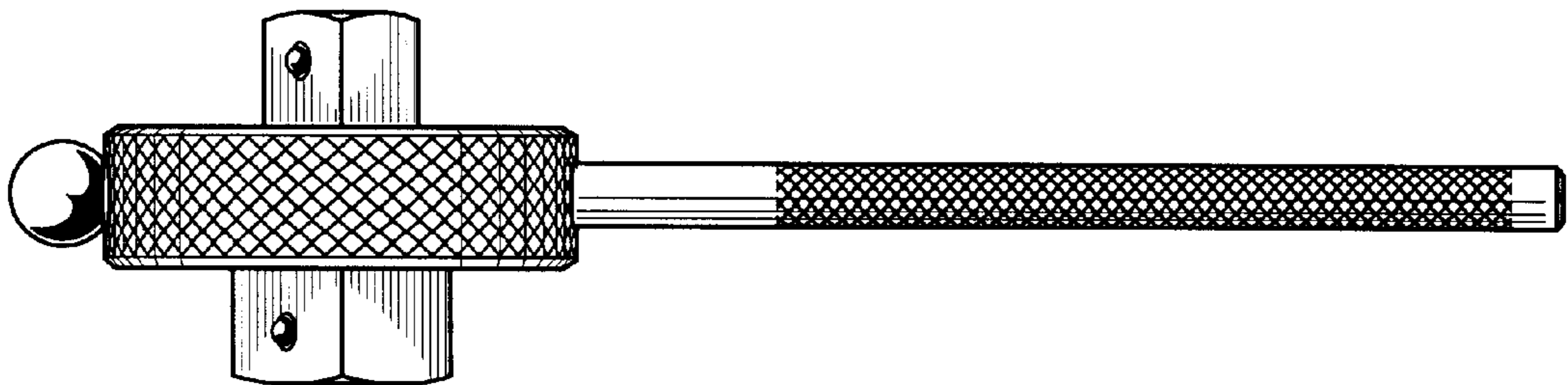


FIG. 5

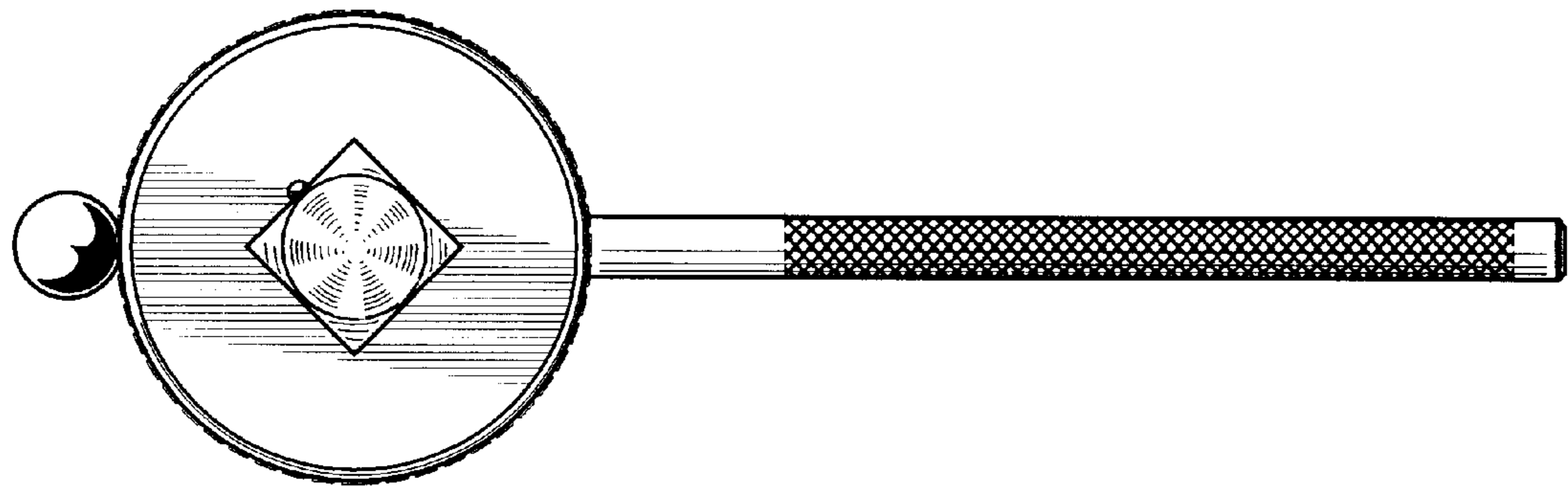


FIG. 6