



US00D440838S

(12) **United States Design Patent**  
**Trempala**

(10) **Patent No.:** **US D440,838 S**

(45) **Date of Patent:** **\*\* Apr. 24, 2001**

- (54) **KEY WITH MATING KEYHEAD**
- (75) Inventor: **Dohn J. Trempala**, Corona del Mar, CA (US)
- (73) Assignee: **Knox Company**, Irvine, CA (US)
- (\*\*) Term: **14 Years**

3,914,966	10/1975	Bello .
4,172,606	10/1979	Howe .
4,184,516	1/1980	Oesterritter et al. .
4,526,193	7/1985	Drach .
4,527,407	7/1985	Shanklin .
5,549,133	8/1996	Sigelakis .
5,588,460	12/1996	Meneses .
5,803,110	9/1998	Segal .

- (21) Appl. No.: **29/110,116**
- (22) Filed: **Aug. 31, 1999**

**Related U.S. Application Data**

- (62) Division of application No. 09/247,665, filed on Feb. 9, 1999.
- (60) Provisional application No. 60/047,156, filed on Feb. 9, 1998.
- (51) **LOC (7) Cl.** ..... **08-05**
- (52) **U.S. Cl.** ..... **D8/21**
- (58) **Field of Search** ..... D8/21-29; 81/121.1, 81/124.7, 176.15, 460, 461

(56) **References Cited**

**U.S. PATENT DOCUMENTS**

D. 192,653	*	4/1962	Madeira	.....	D8/21
D. 206,455	*	12/1966	Thompson	.....	D8/21
D. 400,769	*	11/1998	Duke	.....	D8/29
737,667		9/1903	Schunck	.	
2,463,138	*	3/1949	Bamberg	.....	81/124.7
2,777,353	*	1/1957	Willis	.....	81/121.1
3,136,148		6/1964	Nehls	.	
3,695,139		10/1972	Howe	.	
3,855,882	*	12/1974	Wittmann	.....	81/124.7

\* cited by examiner

*Primary Examiner*—Raphael Barkai

(74) *Attorney, Agent, or Firm*—Knobbe, Martens, Olson & Bear LLP

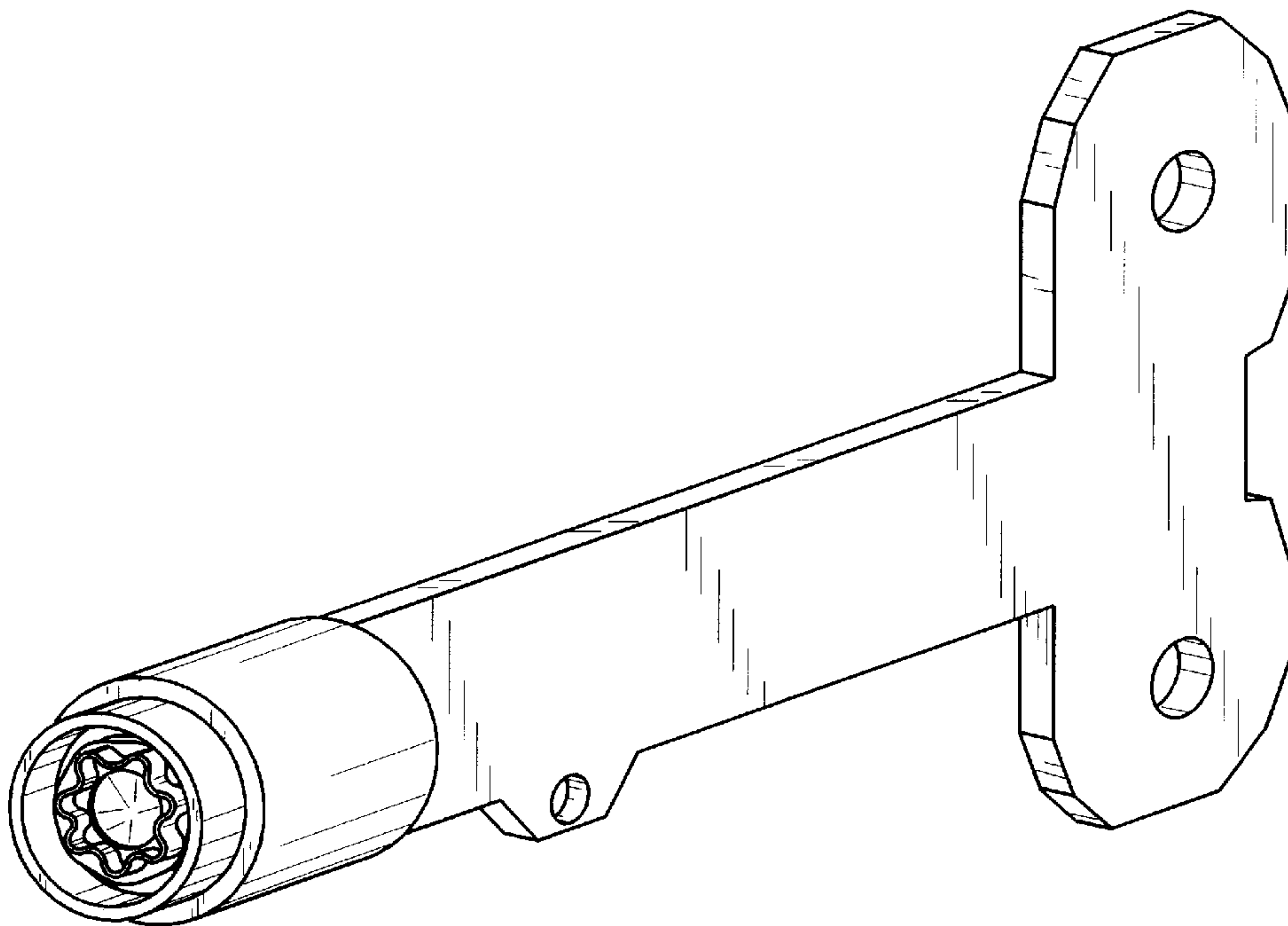
(57) **CLAIM**

The ornamental design for a key with mating keyhead, as shown and described.

**DESCRIPTION**

FIG. 1 is a perspective view of a key with mating keyhead showing my new design;  
 FIG. 2 is a left side view of the key with a mating keyhead of FIG. 1, the figure having a broken-out section to illustrate the mating keyhead, the right side view of the key with a mating keyhead being a mirror image of the left side view;  
 FIG. 3 is a bottom side view of the key with a mating keyhead of FIG. 1;  
 FIG. 4 is a top side view of the key with a mating keyhead of FIG. 1;  
 FIG. 5 is a handle end view of the key with a mating keyhead of FIG. 1; and,  
 FIG. 6 is a keyhead end view of the key with a mating keyhead of FIG. 1.

**1 Claim, 2 Drawing Sheets**



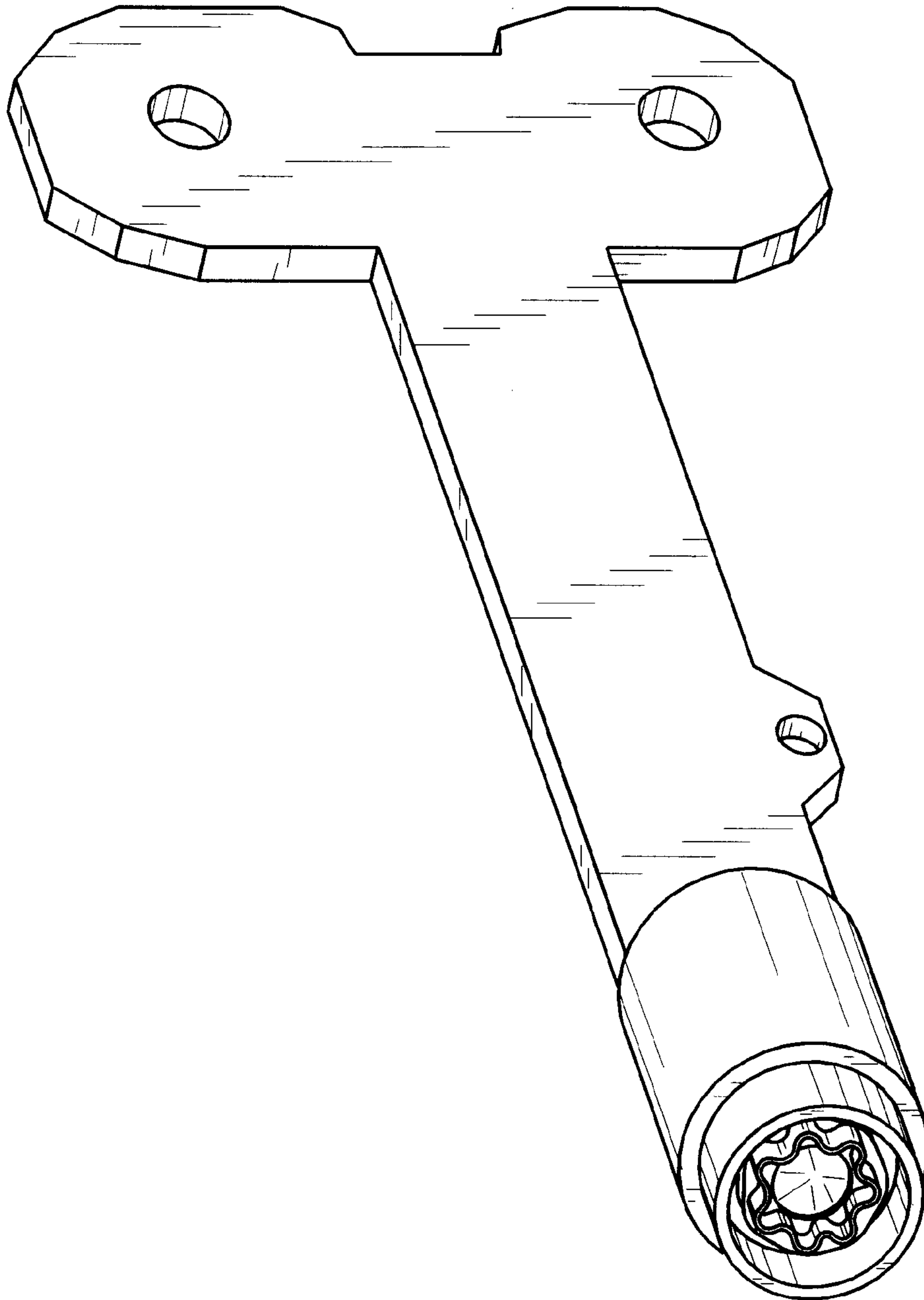


FIG. 1

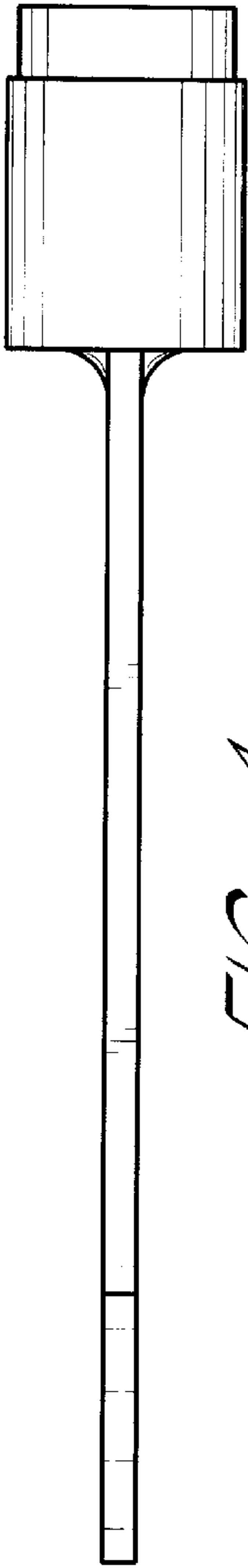


FIG. 4

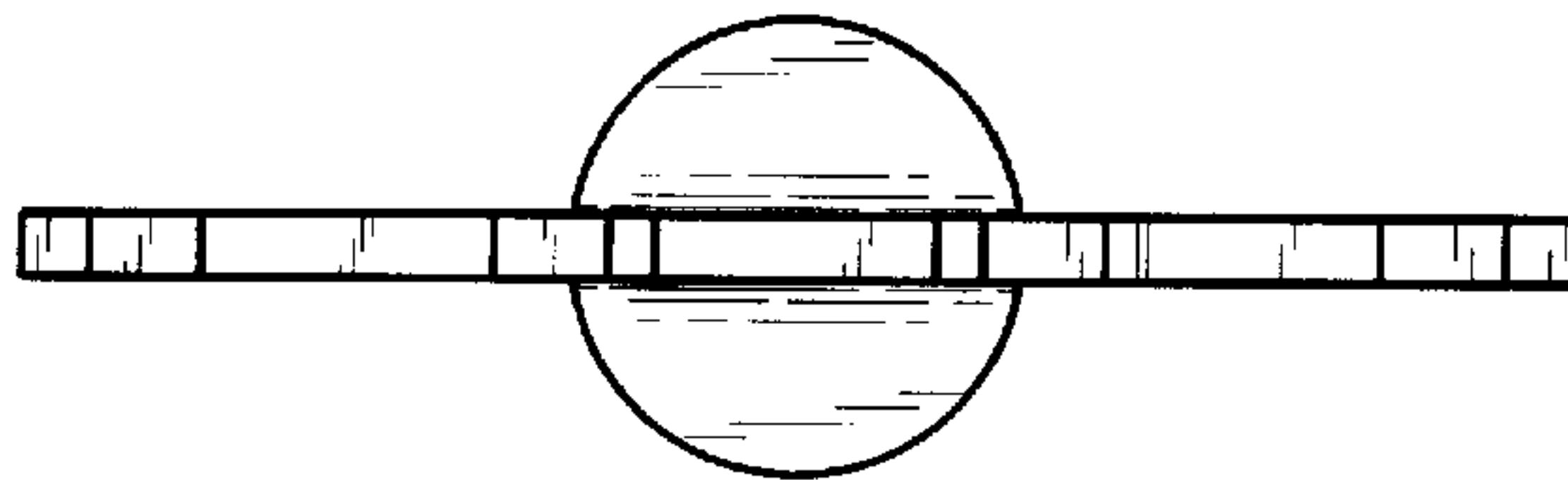


FIG. 5

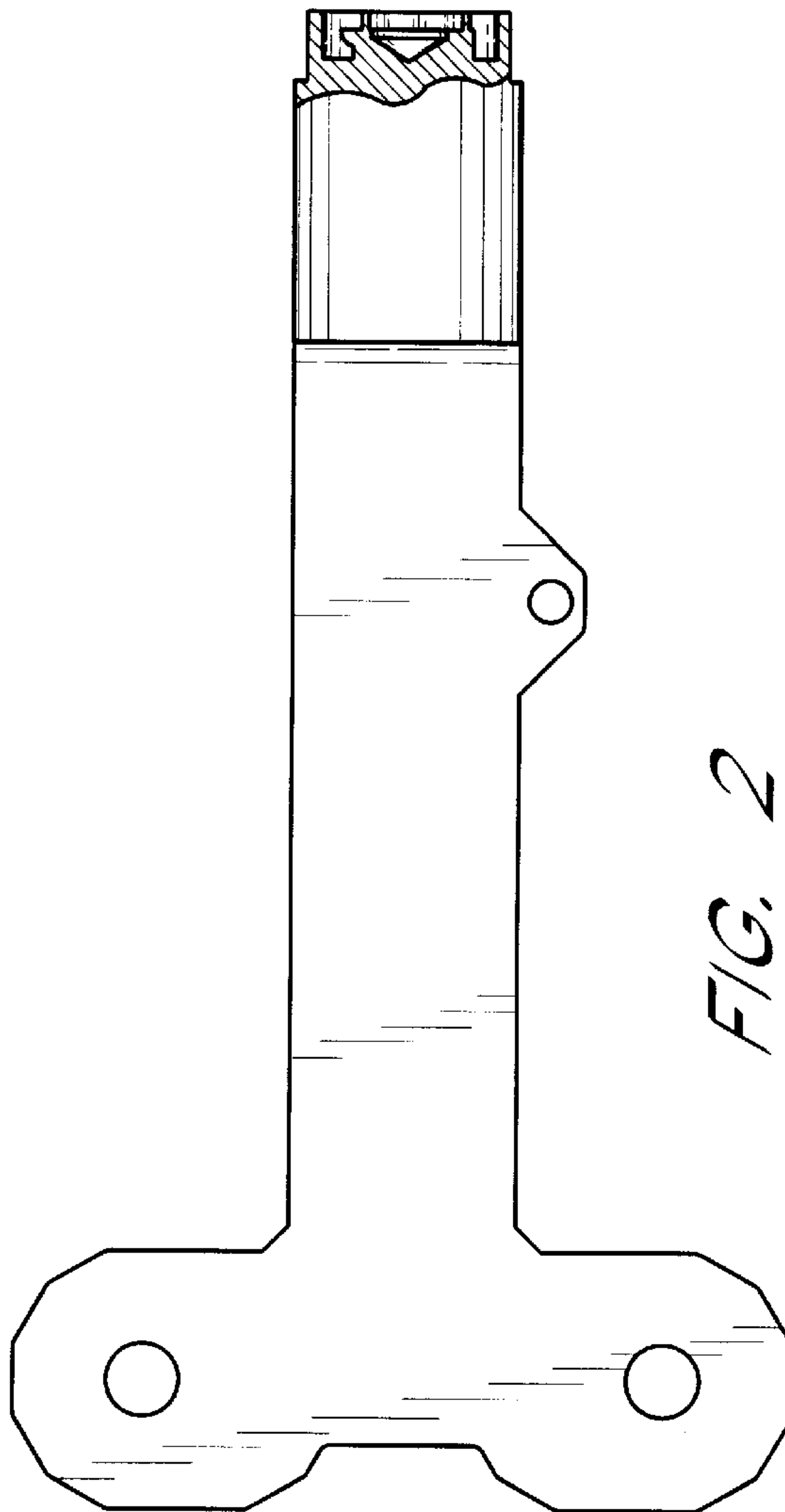


FIG. 2

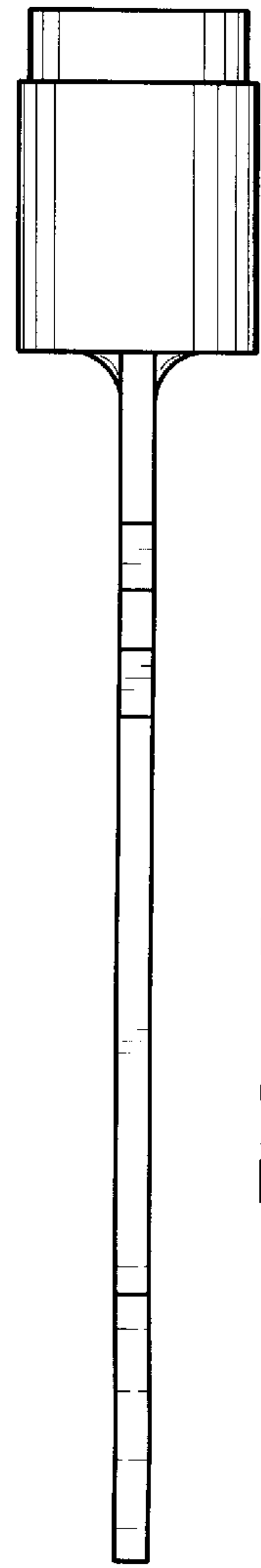


FIG. 3

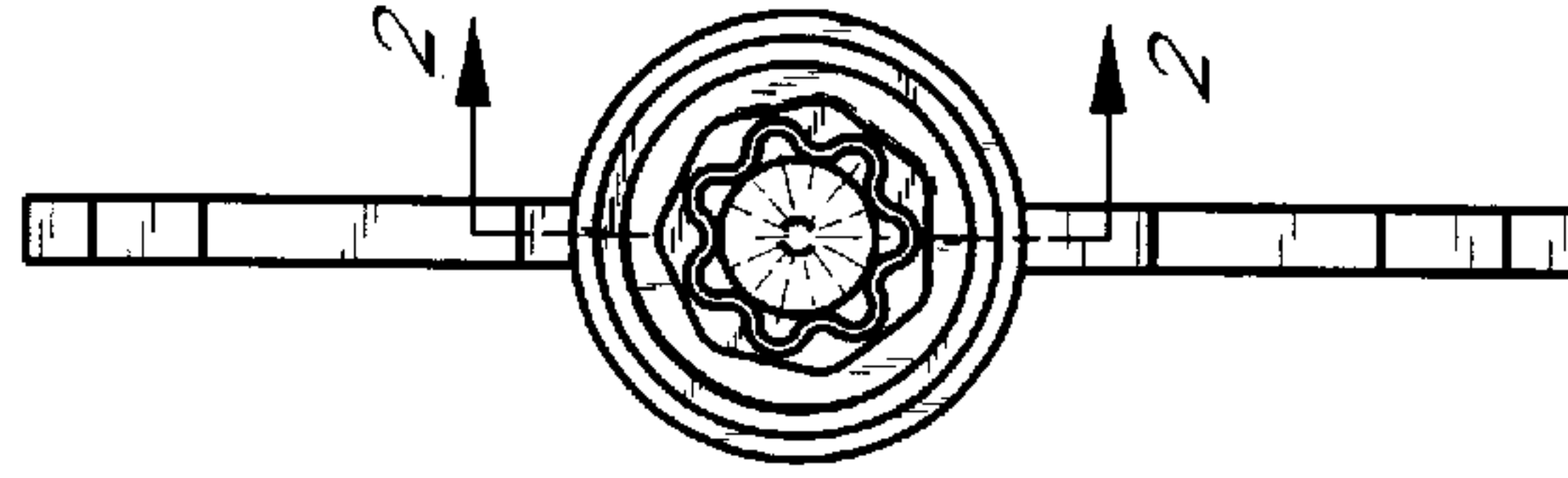


FIG. 6