



US00D440835S

(12) **United States Design Patent**
Khachatoorian

(10) **Patent No.:** **US D440,835 S**

(45) **Date of Patent:** **** Apr. 24, 2001**

(54) **DIGGING TOOL**

(76) Inventor: **Zareh Khachatoorian**, 19841 Turtle Springs Way, Northridge, CA (US) 91326

(**) Term: **14 Years**

(21) Appl. No.: **29/124,505**

(22) Filed: **Jun. 6, 2000**

(51) **LOC (7) Cl.** **08-01**

(52) **U.S. Cl.** **D8/11**

(58) **Field of Search** D8/1, 11, 12; 172/371-2, 172/375; 7/114, 116

(56) **References Cited**

U.S. PATENT DOCUMENTS

D. 43,153	*	10/1912	Moore	D8/11
D. 300,109		3/1989	Zabarte	D8/11
D. 380,654	*	7/1997	Chen	D8/11
D. 390,073	*	2/1998	Caspall	D8/11
1,280,465	*	10/1918	Herron	172/375
1,369,835	*	3/1921	Ninman	172/375

OTHER PUBLICATIONS

Ames catalog; Cutter Mattock #H 18-318; p. 26, May 1986.*

* cited by examiner

Primary Examiner—Robin V. Taylor
(74) Attorney, Agent, or Firm—Thomason, Moser & Patterson L.L.P.

(57) **CLAIM**

The ornamental design for a digging tool, as shown and described.

DESCRIPTION

FIG. 1 is a front view of the invention, the rear view being identical thereto.

FIG. 2 is a top view of the invention.

FIG. 3 is a left side view of the invention.

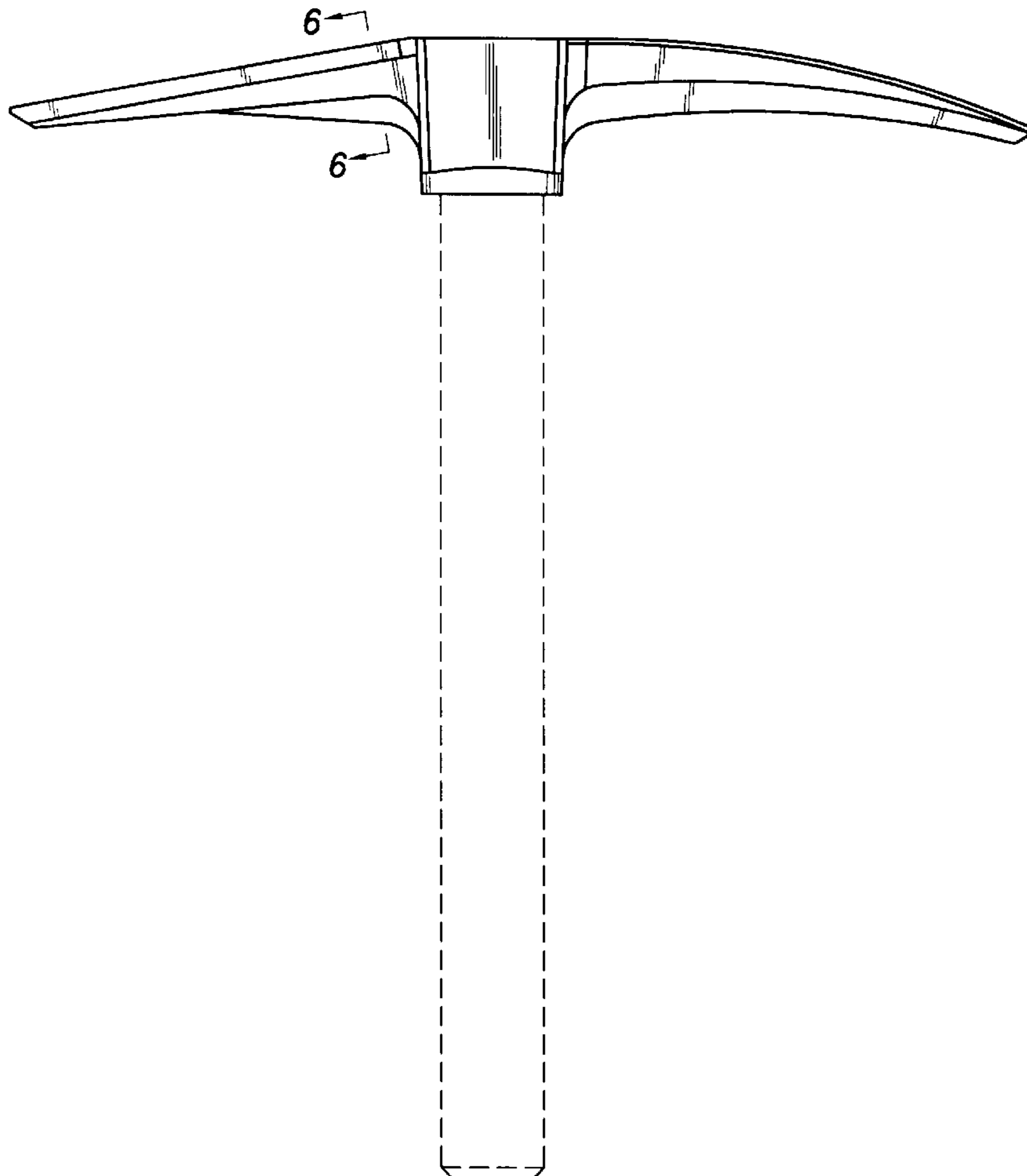
FIG. 4 is a right side view of the invention.

FIG. 5 is a bottom view of the invention; and,

FIG. 6 is a section view along lines 6—6 of FIG. 1.

The broken line showing of a tool handle is for illustrative purposes only and forms no part of the claimed design.

1 Claim, 3 Drawing Sheets



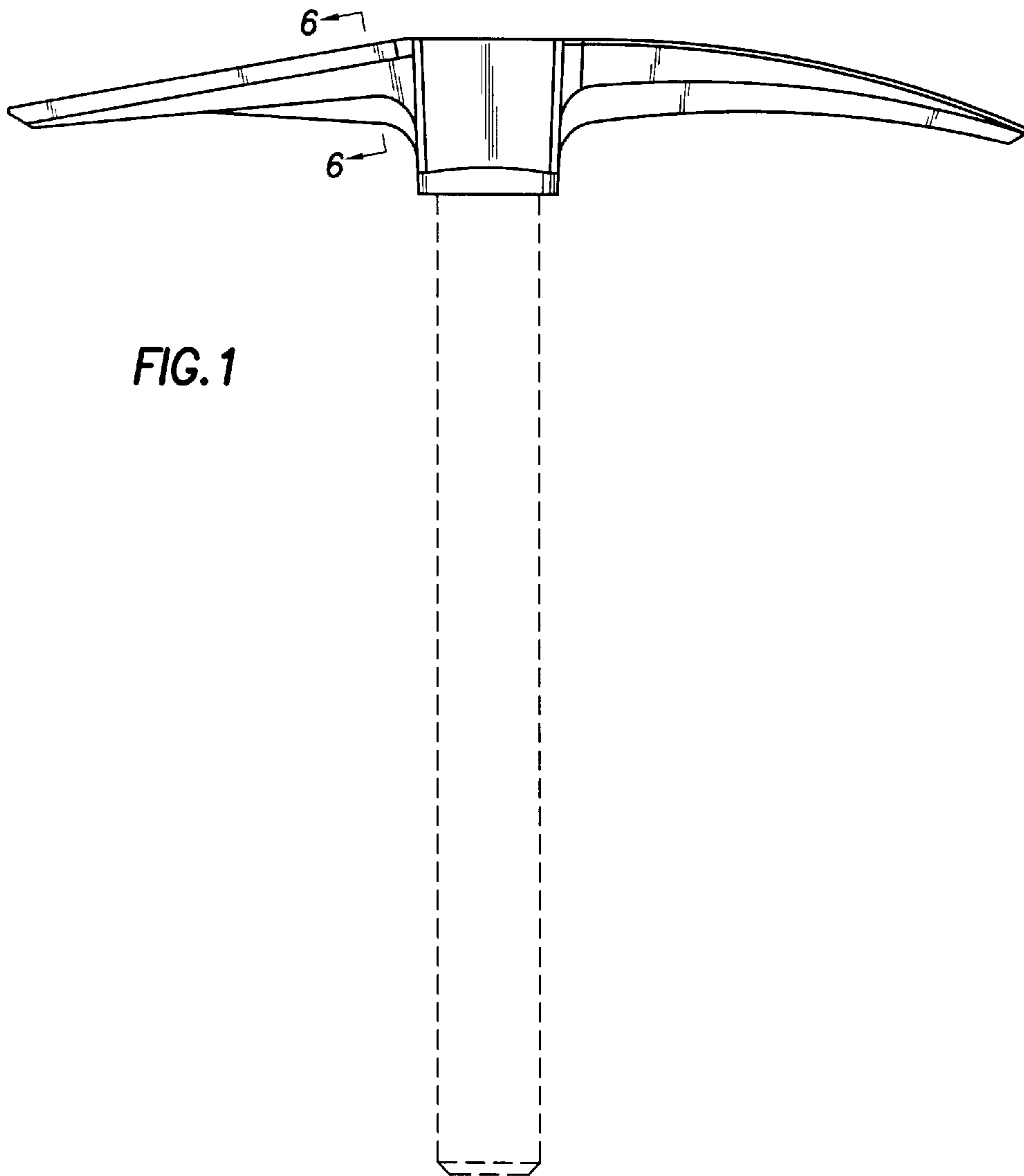


FIG. 1

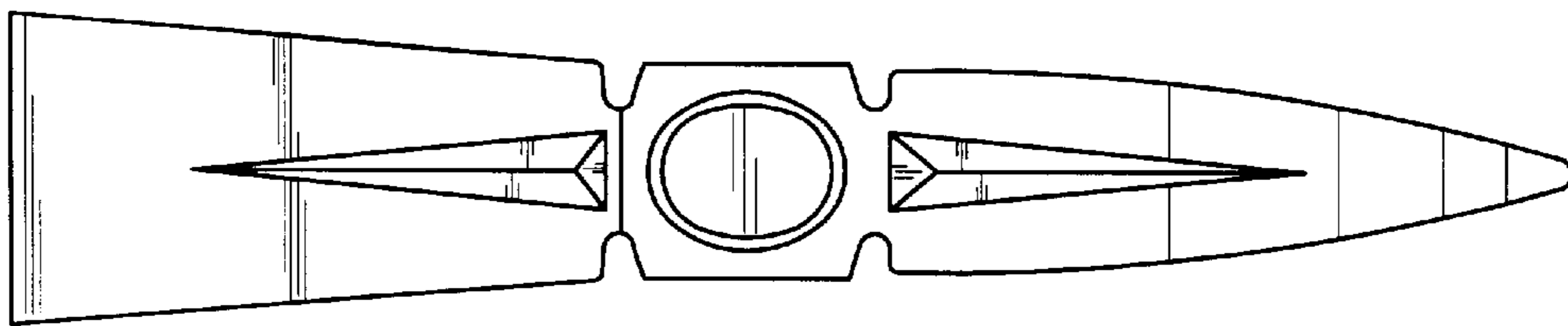


FIG. 2

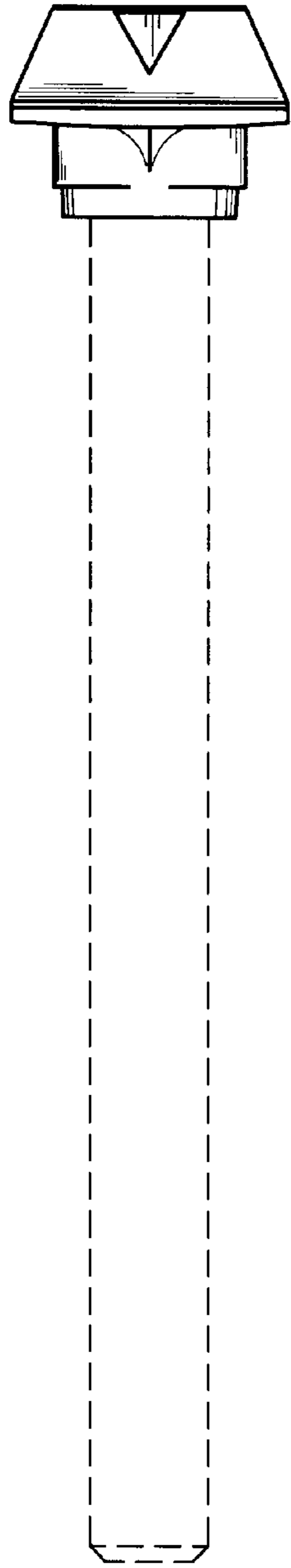


FIG. 3

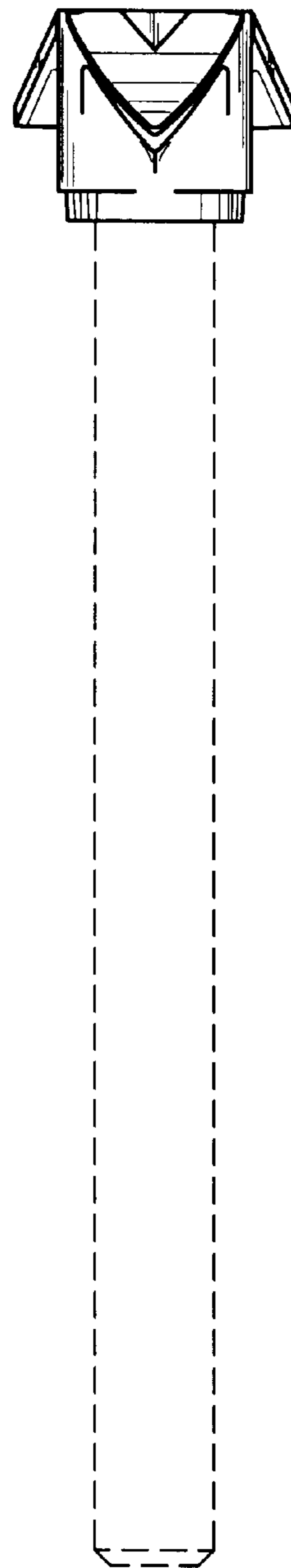


FIG. 4

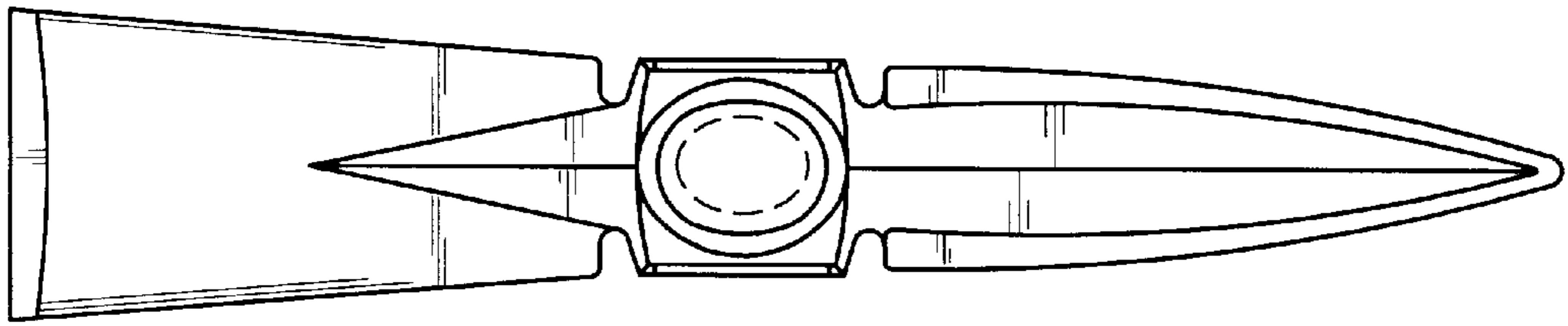


FIG. 5



FIG. 6