



US00D440832S

(12) **United States Design Patent**  
**Goldsborough**

(10) **Patent No.:** **US D440,832 S**

(45) **Date of Patent:** **\*\* Apr. 24, 2001**

(54) **CUP HOLDER**

(76) Inventor: **Richard Goldsborough**, 1100 Mallard Ct., Grandburry, TX (US) 76048

(\*\*) Term: **14 Years**

(21) Appl. No.: **29/125,801**

(22) Filed: **Jun. 29, 2000**

(51) **LOC (7) Cl.** ..... **07-06**

(52) **U.S. Cl.** ..... **D7/701; D11/152**

(58) **Field of Search** ..... **D7/701, 707, 708; D11/143, 149, 151-153; 47/65.5, 69, 71; 211/74; 220/23.4, 23.83, 4.21**

(56) **References Cited**

**U.S. PATENT DOCUMENTS**

D. 312,949 \* 12/1990 Persch ..... D7/701  
4,708,256 \* 11/1987 Intardonato ..... 220/23.4

\* cited by examiner

*Primary Examiner*—Terry A. Wallace

(74) *Attorney, Agent, or Firm*—Charles D. Gunter, Jr.

(57) **CLAIM**

The ornamental design for a cup holder, as shown and described.

**DESCRIPTION**

FIG. 1 is a perspective view of the cup holder of the invention showing it being mounted on an upright post, the post being shown in phantom lines and forming no part of the present invention;

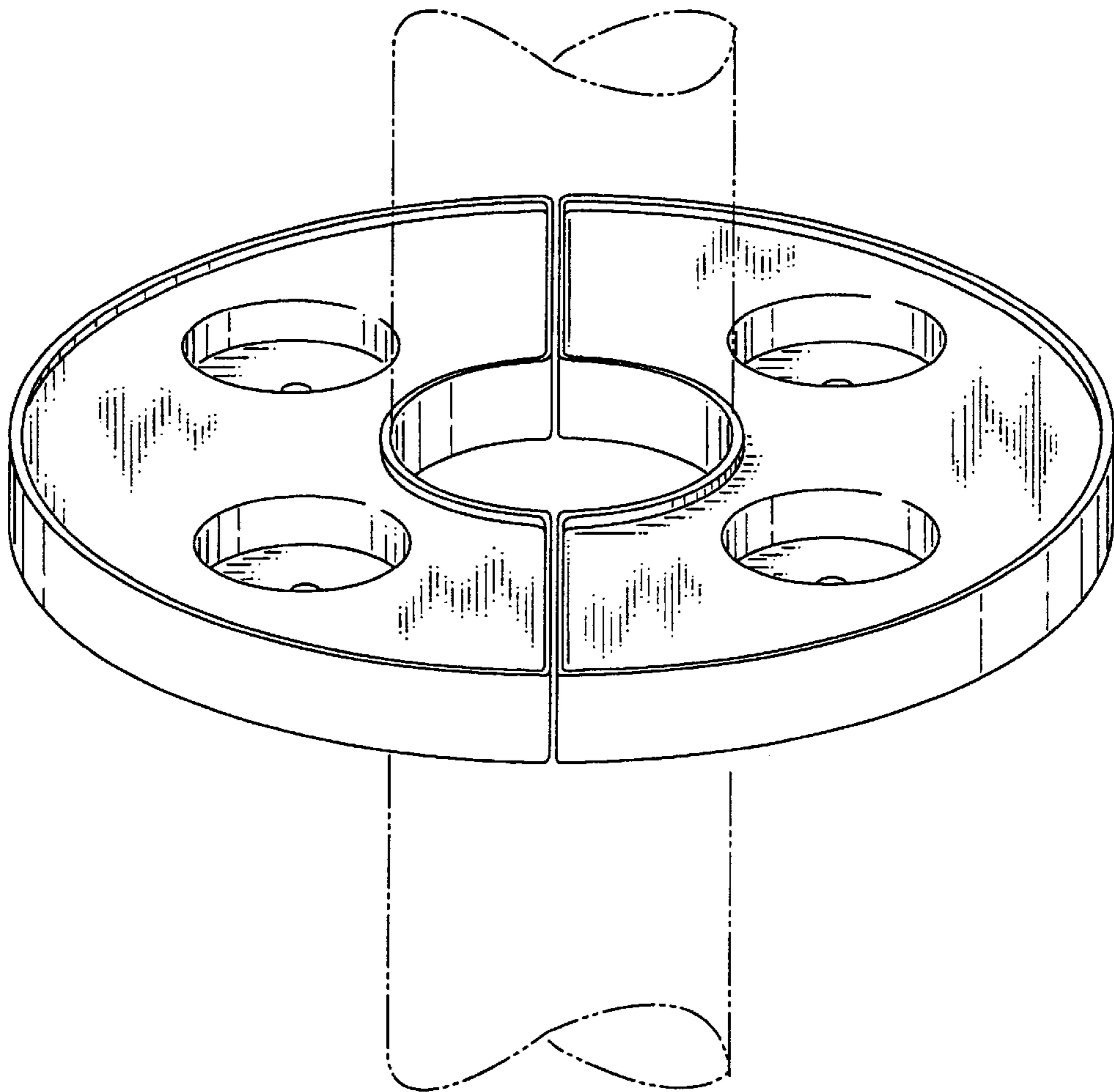
FIG. 2 is a top view of the cup holder of the invention;

FIG. 3 is a left side view of the cup holder of FIG. 1, the right side view being a mirror image thereof;

FIG. 4 is a front view of the cup holder of FIG. 3; and,

FIG. 5 is a bottom view of the cup holder of FIG. 2.

**1 Claim, 2 Drawing Sheets**



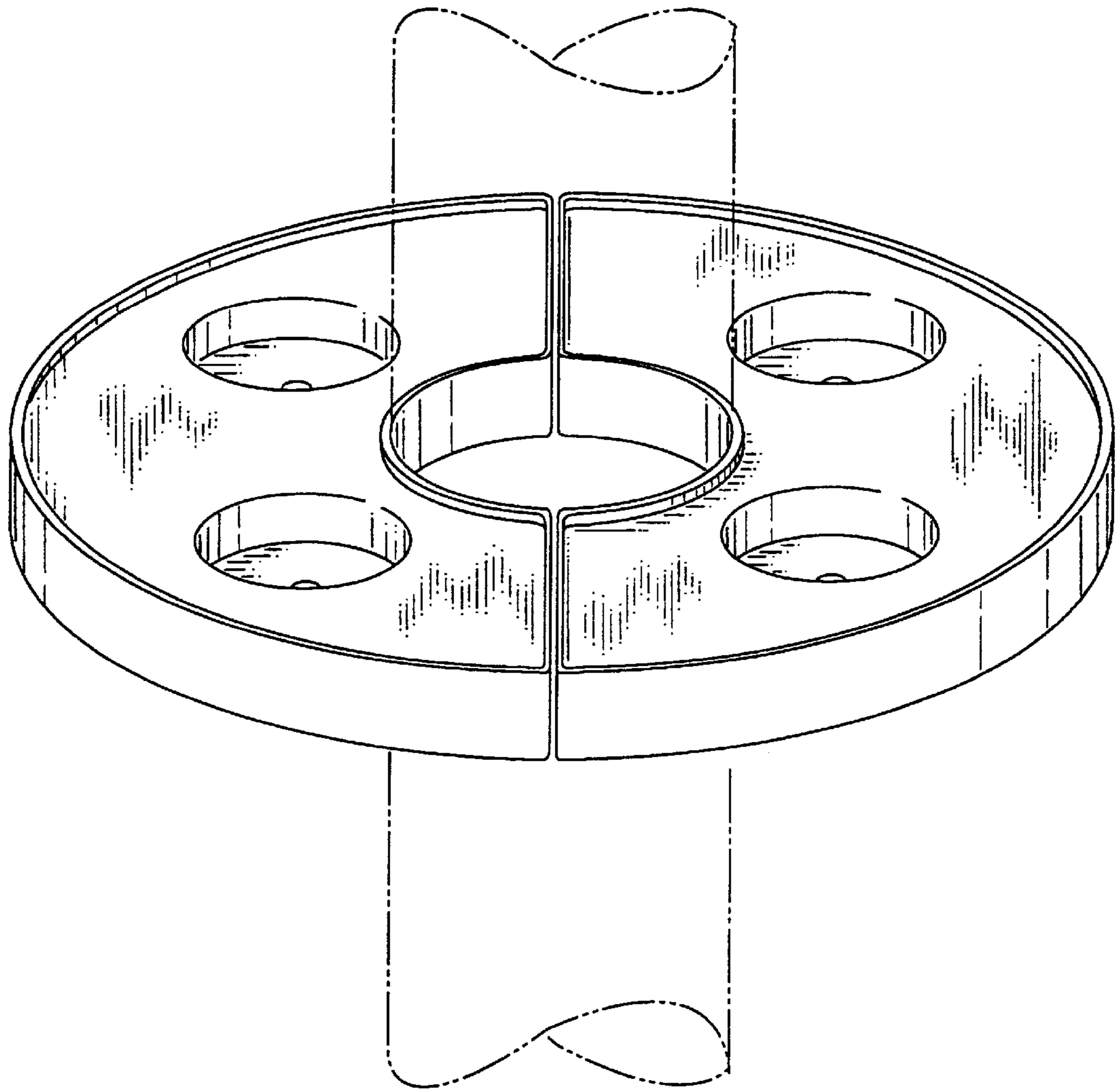


FIG. 1

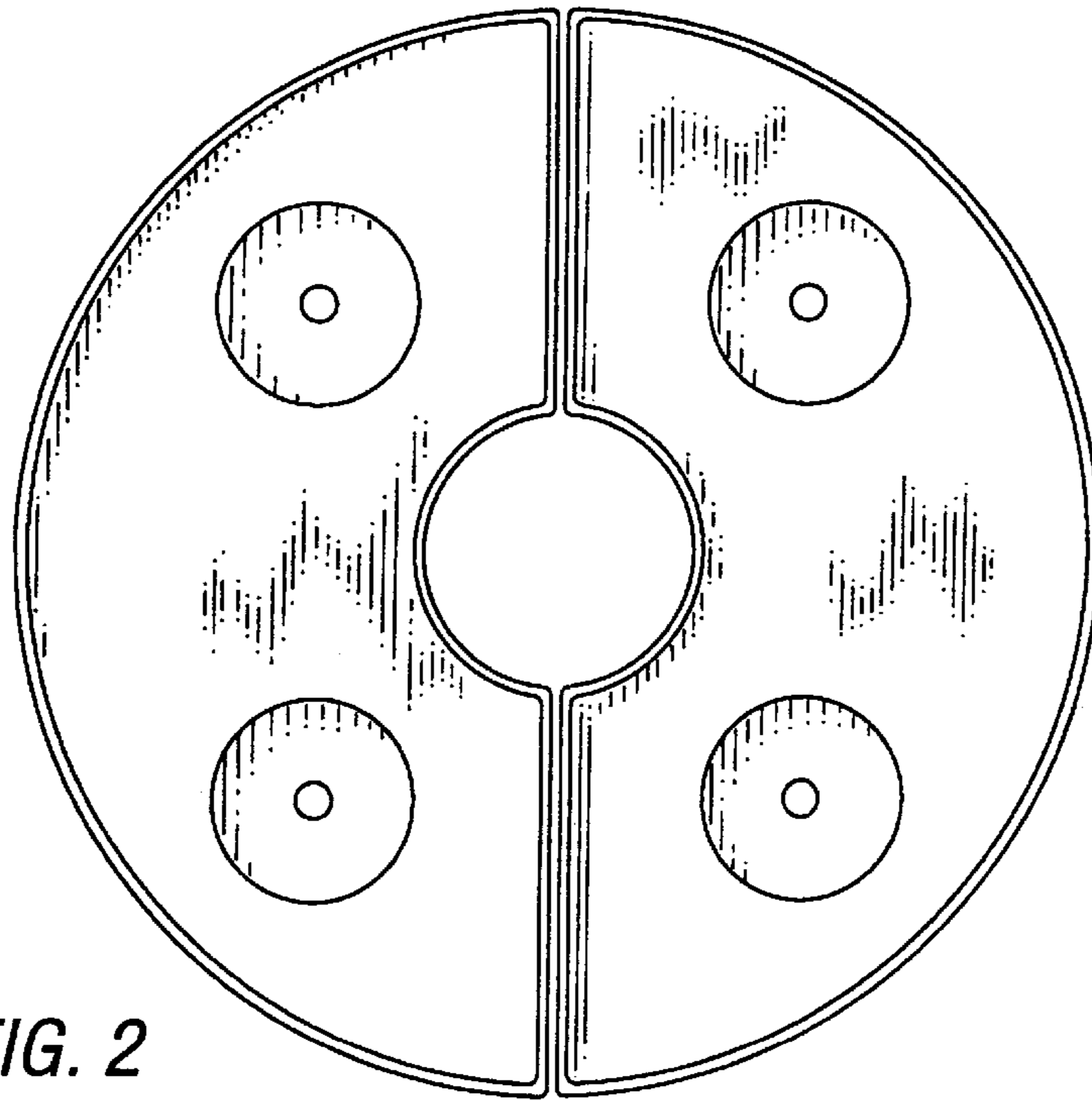


FIG. 2



FIG. 3



FIG. 4

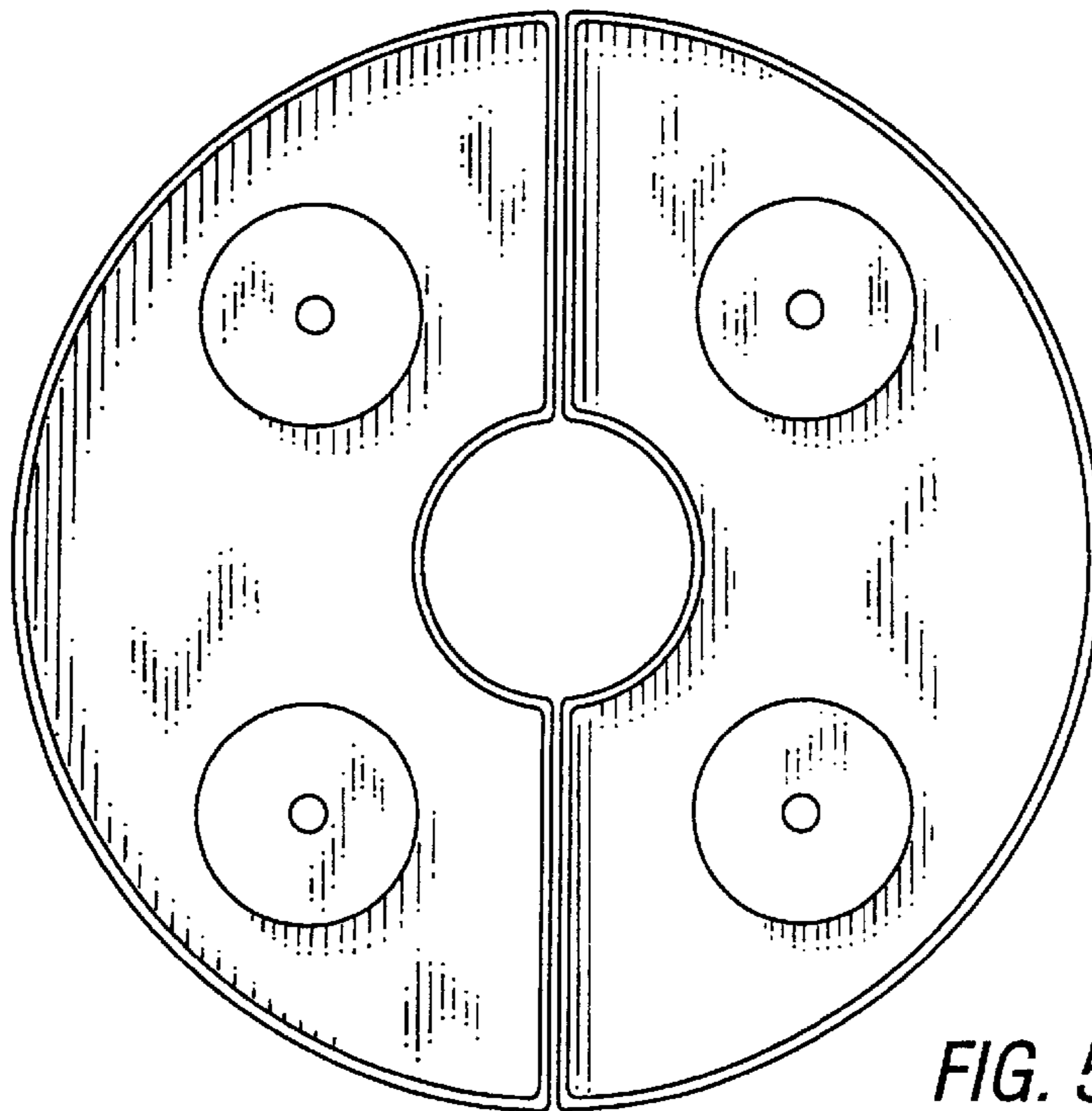


FIG. 5