



US00D440829S

(12) **United States Design Patent**
Brown

(10) **Patent No.:** **US D440,829 S**

(45) **Date of Patent:** **** Apr. 24, 2001**

(54) **CONTAINER BOTTOM**

(75) Inventor: **Dean R. Brown**, La Habra, CA (US)

(73) Assignee: **Paul Winkler Plastics Corporation**,
Buena Park, CA (US)

(**) Term: **14 Years**

(21) Appl. No.: **29/114,201**

(22) Filed: **Nov. 19, 1999**

(51) **LOC (7) Cl.** **07-01**

(52) **U.S. Cl.** **D7/629**

(58) **Field of Search** D7/601, 602, 629,
D7/538-548, 566, 568, 391, 392.1; D9/424-429,
434, 435, 499

(56) **References Cited**

U.S. PATENT DOCUMENTS

- D. 284,160 * 6/1986 Durand D7/540
- D. 372,396 * 8/1996 Seager D7/392.1
- D. 420,285 * 2/2000 Sagan et al. D9/429

* cited by examiner

Primary Examiner—Terry A. Wallace

(74) *Attorney, Agent, or Firm*—Faegre & Benson, LLP

(57) **CLAIM**

The ornamental design for the container bottom, as shown and described.

DESCRIPTION

FIG. 1 is a side plan view of a container bottom of the present invention in which a lid shown in phantom is attached to the container bottom;

FIG. 2 is a perspective view of the container bottom of FIG. 1, including the lid shown in phantom that is attached to the container bottom;

FIG. 3 is a top plan view of the container bottom of FIG. 1; FIG. 4 is a bottom plan view of the container bottom of FIG. 1;

FIG. 5 is a view in perspective of an alternative embodiment of a container bottom of the present invention in which a lid shown in phantom is attached to the container bottom;

FIG. 6 is a side plan view of the container bottom of FIG. 5 in which the lid shown in phantom is attached to the container bottom;

FIG. 7 is a top plan view of the container bottom of FIG. 5; and,

FIG. 8 is a bottom plan view of the container bottom of FIG. 5.

The broken lines are for illustrative purposes only and form no part of the claimed design.

1 Claim, 8 Drawing Sheets

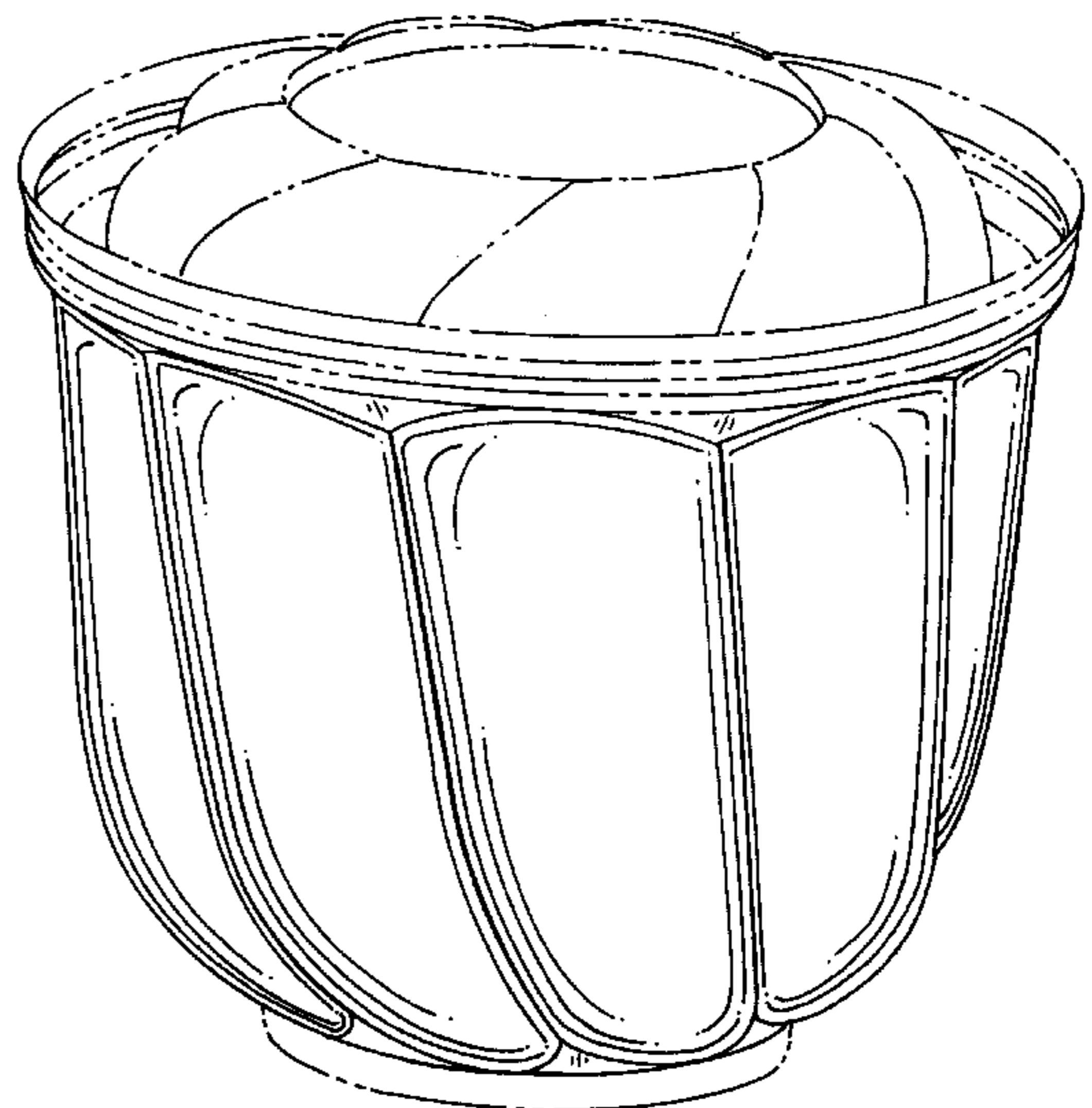
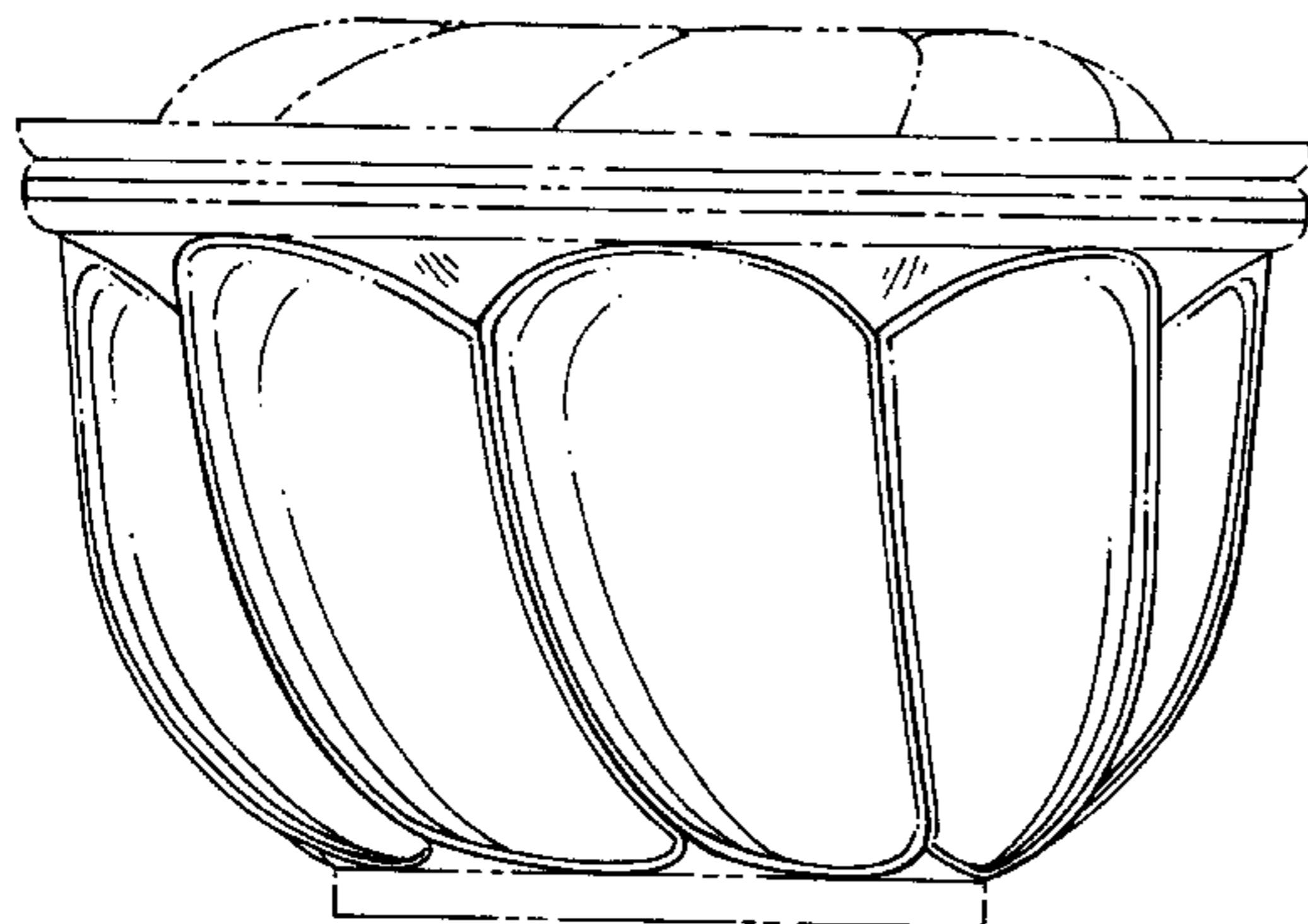


Fig. 1

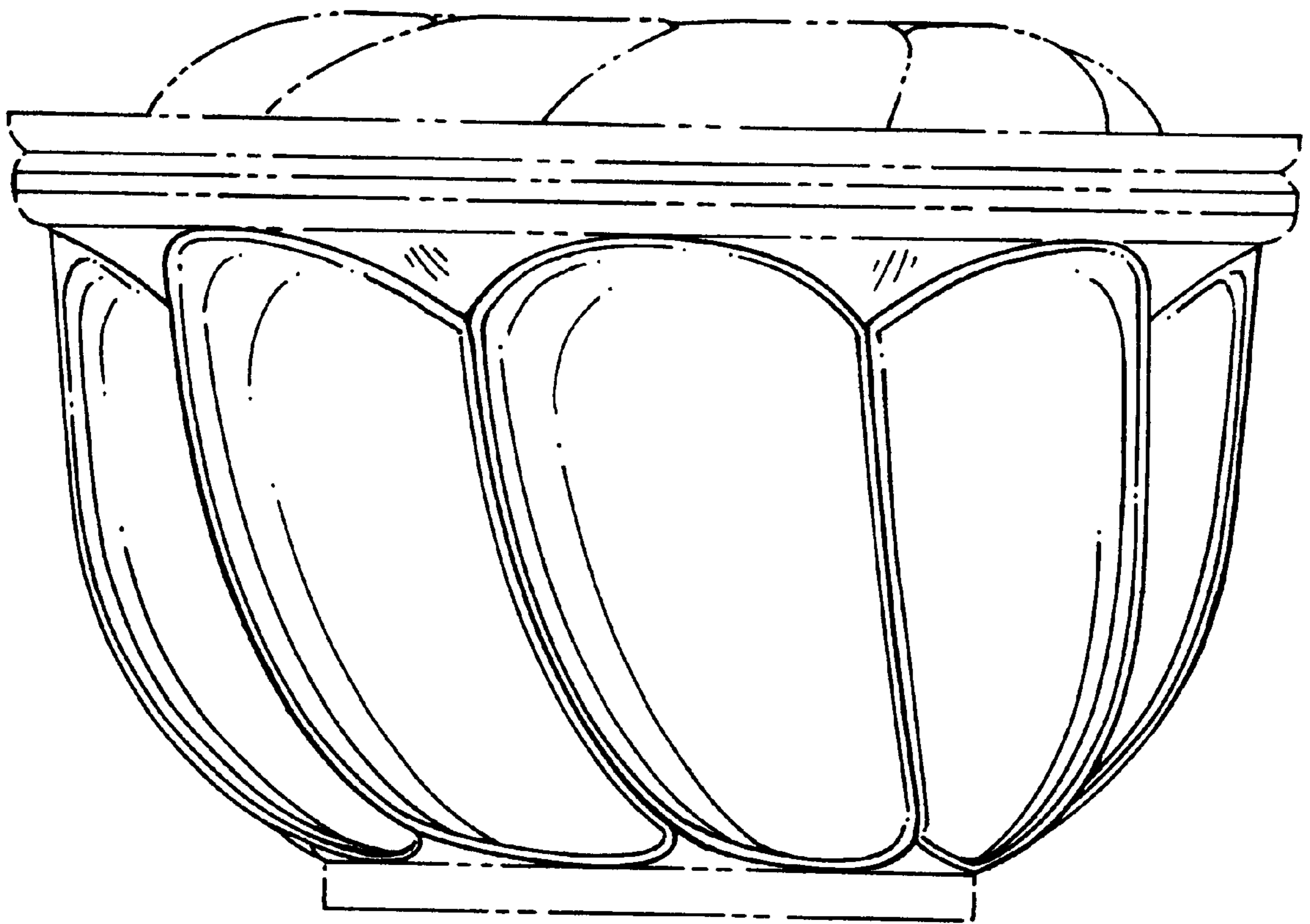


Fig. 2

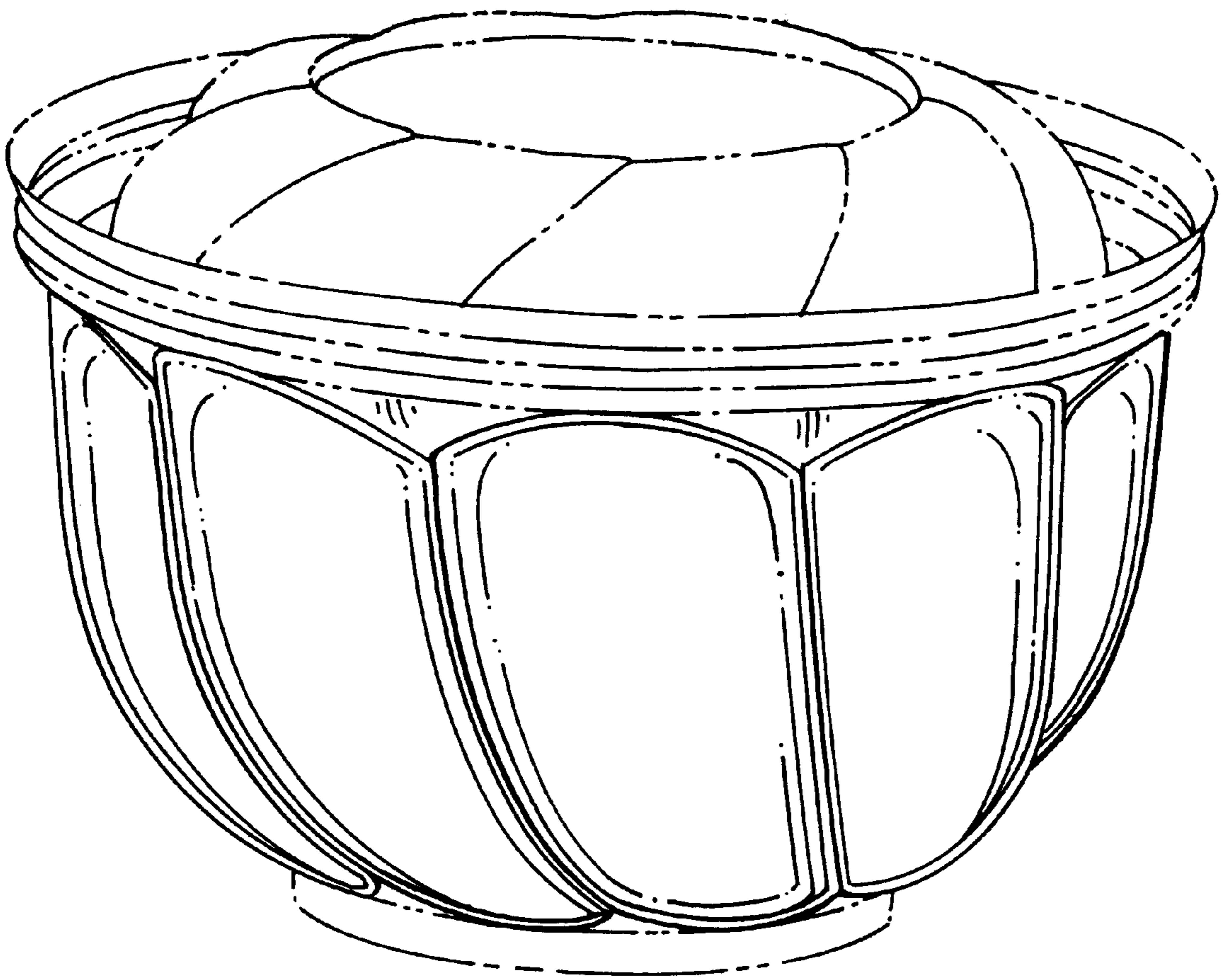


Fig. 3

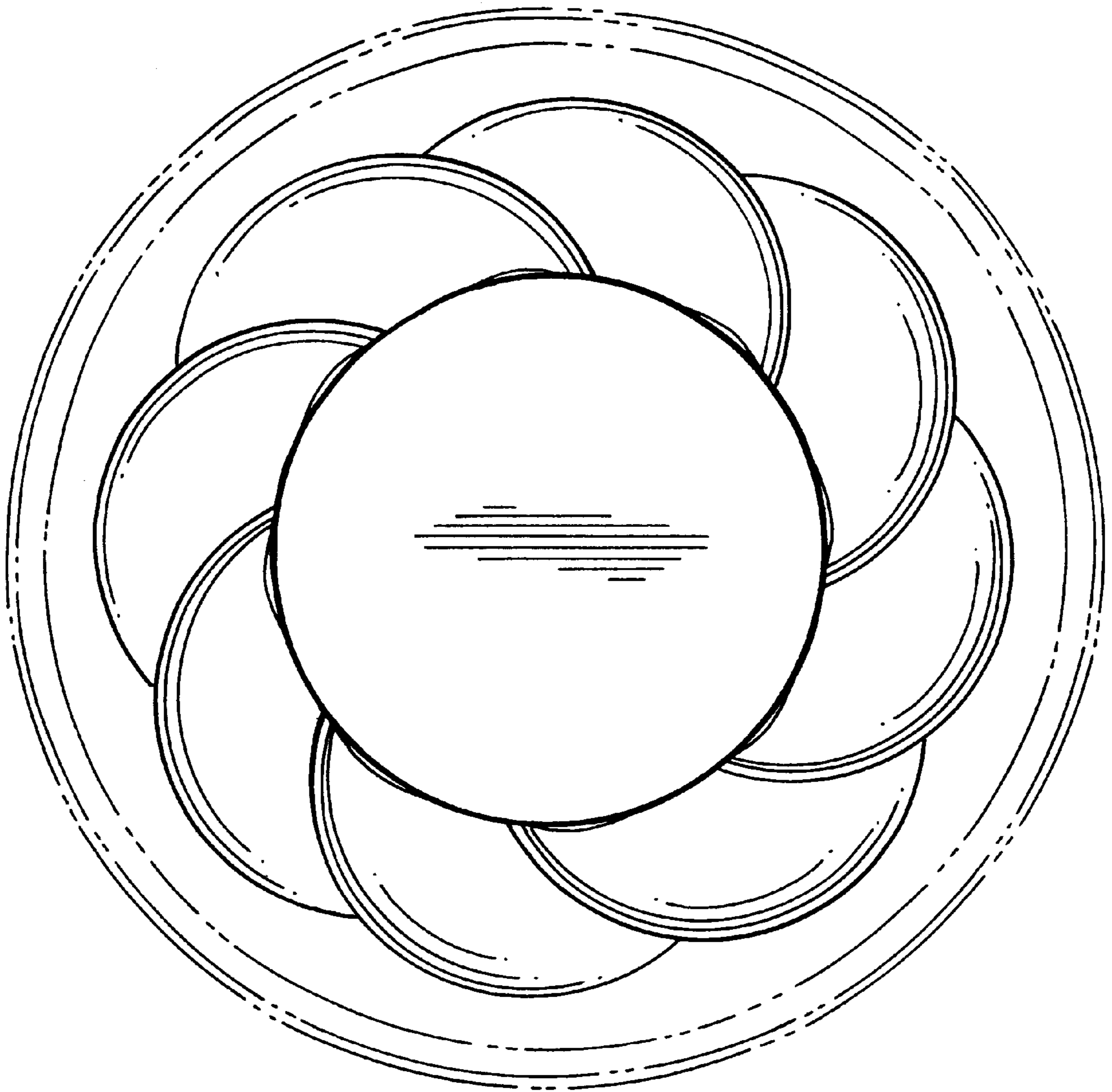


Fig. 4

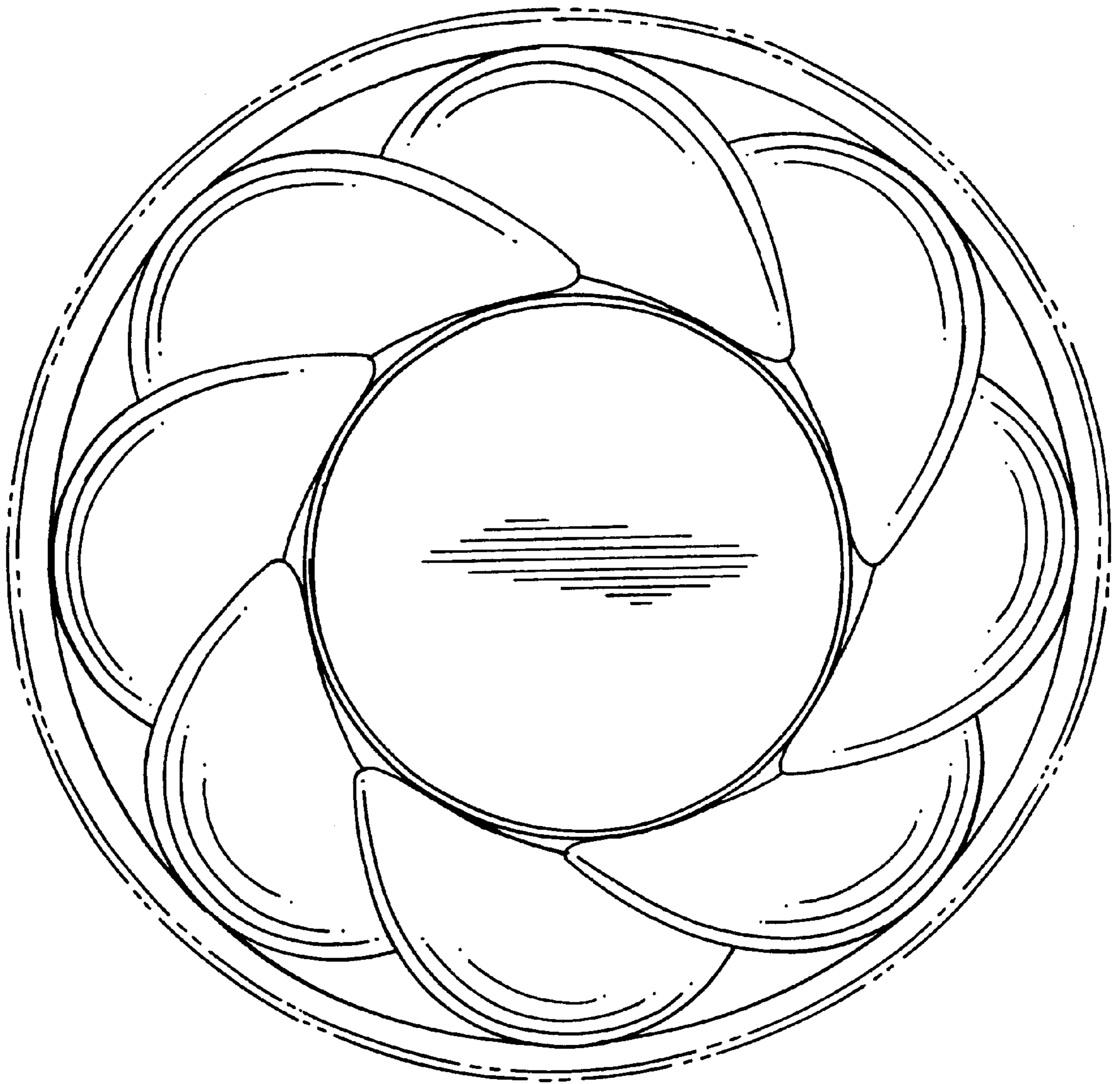


Fig. 5

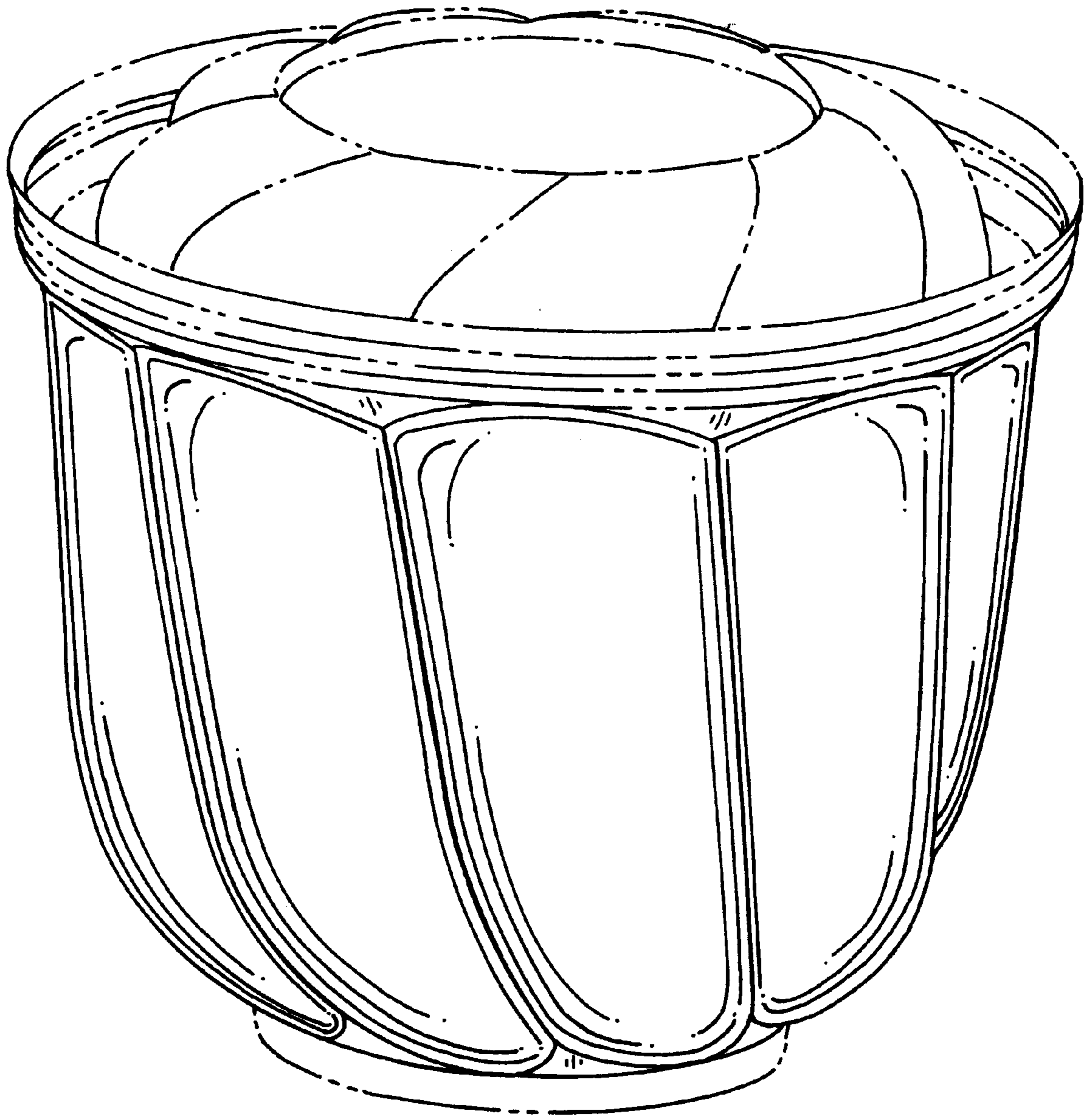


Fig. 6

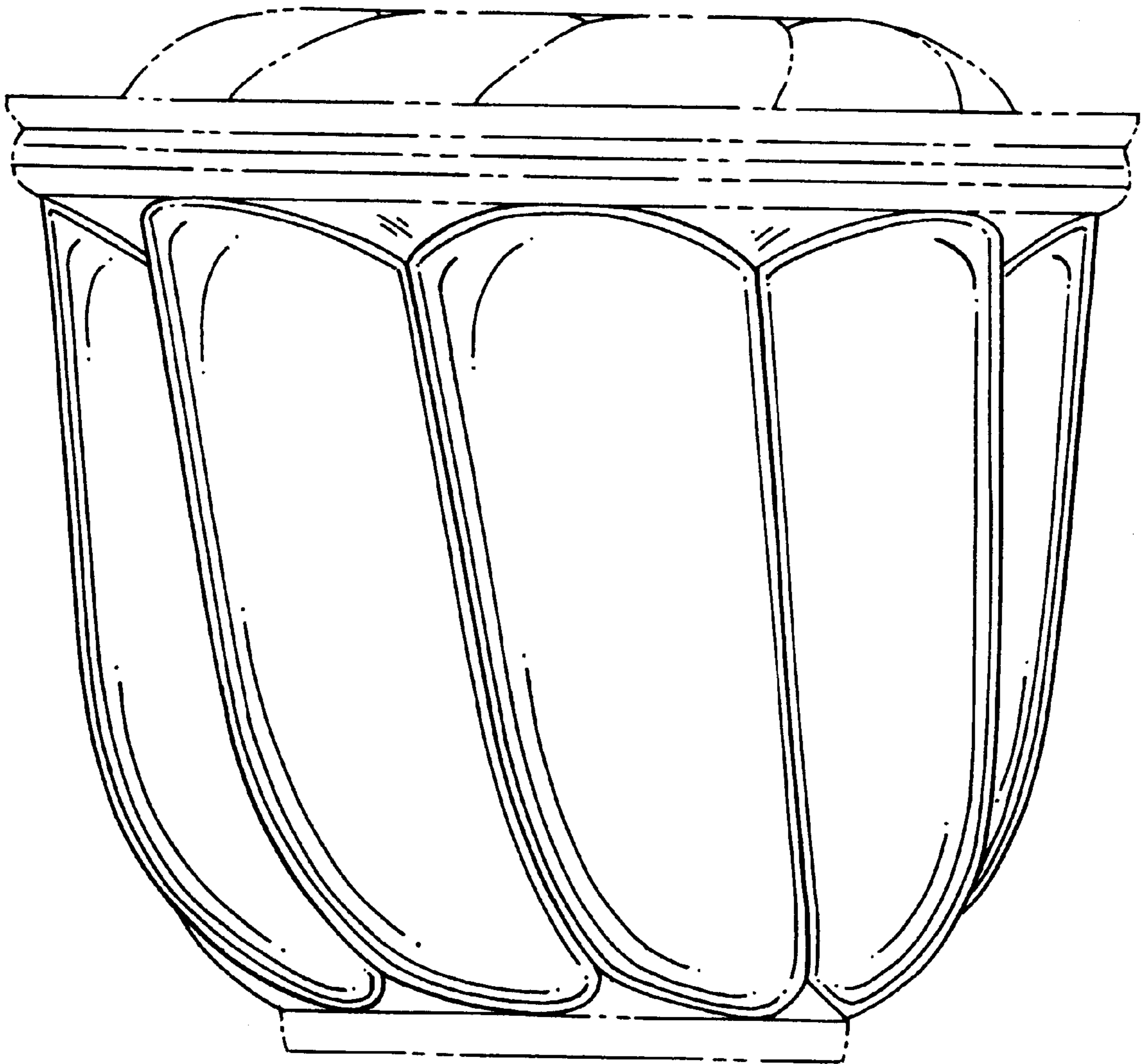


Fig. 7

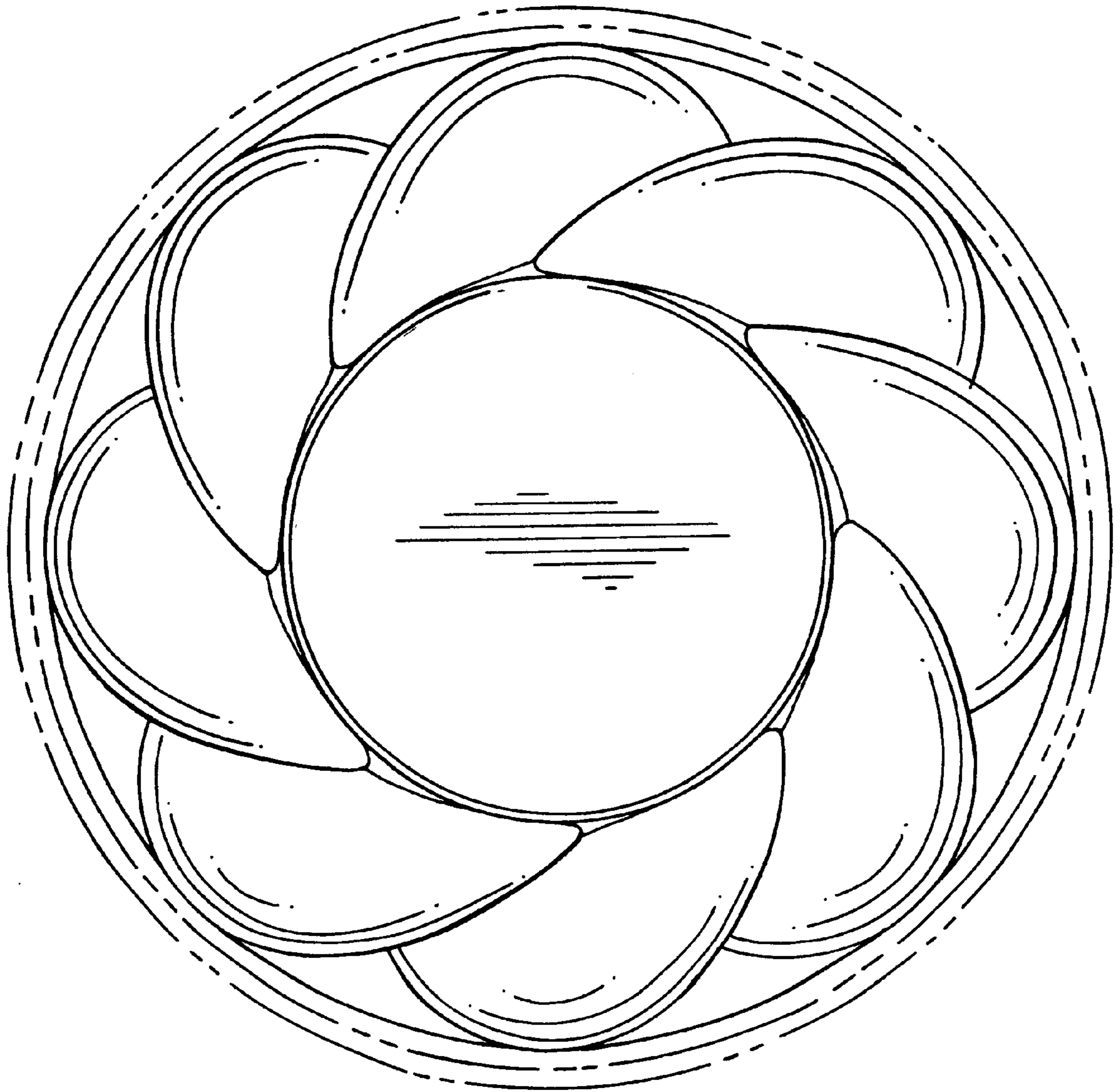


Fig. 8

