



US00D440812S

(12) **United States Design Patent**  
**Clark**

(10) **Patent No.:** **US D440,812 S**

(45) **Date of Patent:** **\*\* Apr. 24, 2001**

(54) **PASTA MAKER**

(76) **Inventor:** **Hanelore Clark**, R.R. #1, Site 9,  
Comp. 26, Chase, British Columbia  
(CA), V0E 1M0

(\*\*) **Term:** **14 Years**

(21) **Appl. No.:** **29/119,768**

(22) **Filed:** **Mar. 7, 2000**

(30) **Foreign Application Priority Data**

Sep. 15, 1999 (CA) ..... 1999-2269

(51) **LOC (7) Cl.** ..... **07-02**

(52) **U.S. Cl.** ..... **D7/368**

(58) **Field of Search** ..... D7/368, 665-668;  
425/463; 426/500; 249/135; 241/95, 168,  
273.4

(56) **References Cited**

**U.S. PATENT DOCUMENTS**

D. 359,202 \* 6/1995 Cousins et al. .... D7/667

D. 397,275 \* 8/1998 DuBay, Sr. .... D7/667  
2,225,658 \* 12/1940 Rauchfuss ..... 241/95 X  
4,420,298 \* 12/1983 Mandrick ..... 425/463  
5,800,854 9/1998 Jaeger .

\* cited by examiner

*Primary Examiner*—Terry A. Wallace

(74) *Attorney, Agent, or Firm*—Randall J. Knuth

(57) **CLAIM**

The ornamental design for a pasta maker, as shown and described.

**DESCRIPTION**

FIG. 1 is a bottom view of the pasta maker of the present invention;

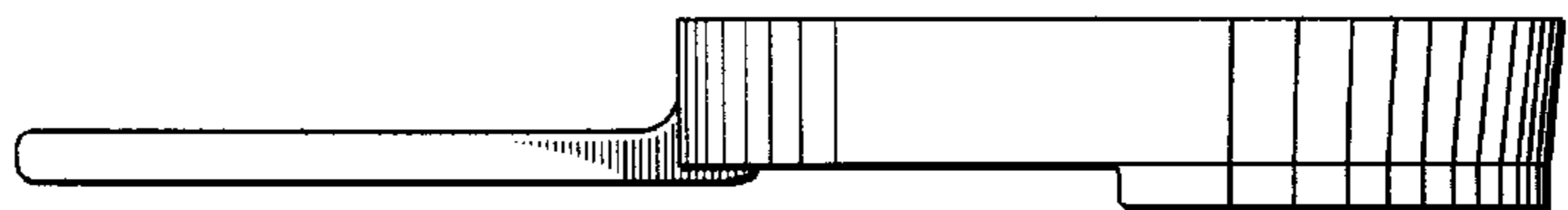
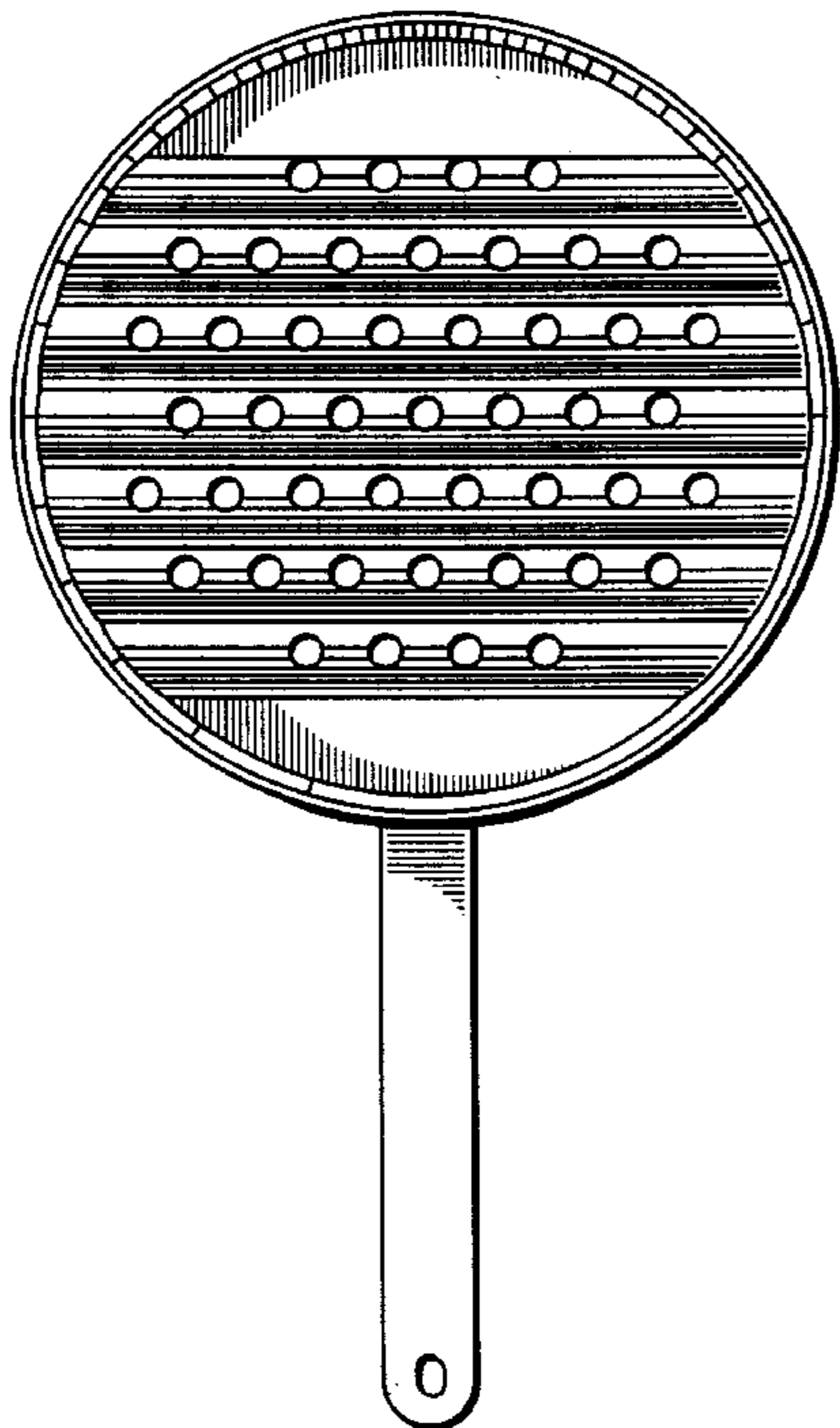
FIG. 2 is a top view of the pasta maker of FIG. 1;

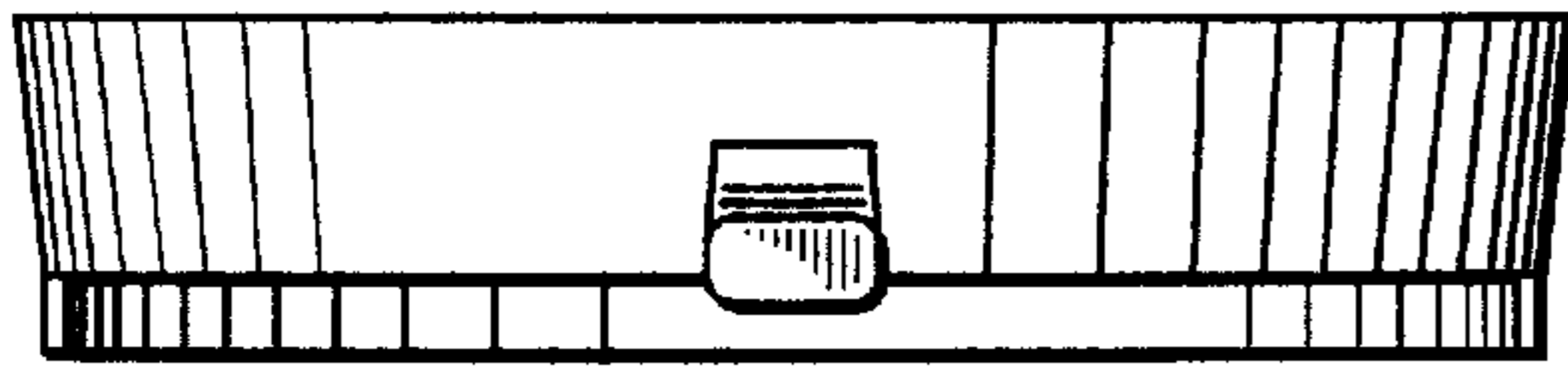
FIG. 3 is a front view of the pasta maker of FIG. 1;

FIG. 4 is a back view of the pasta maker of FIG. 1; and,

FIG. 5 is a side view of the pasta maker of FIG. 1, the opposite side being a mirror image thereof.

**1 Claim, 1 Drawing Sheet**

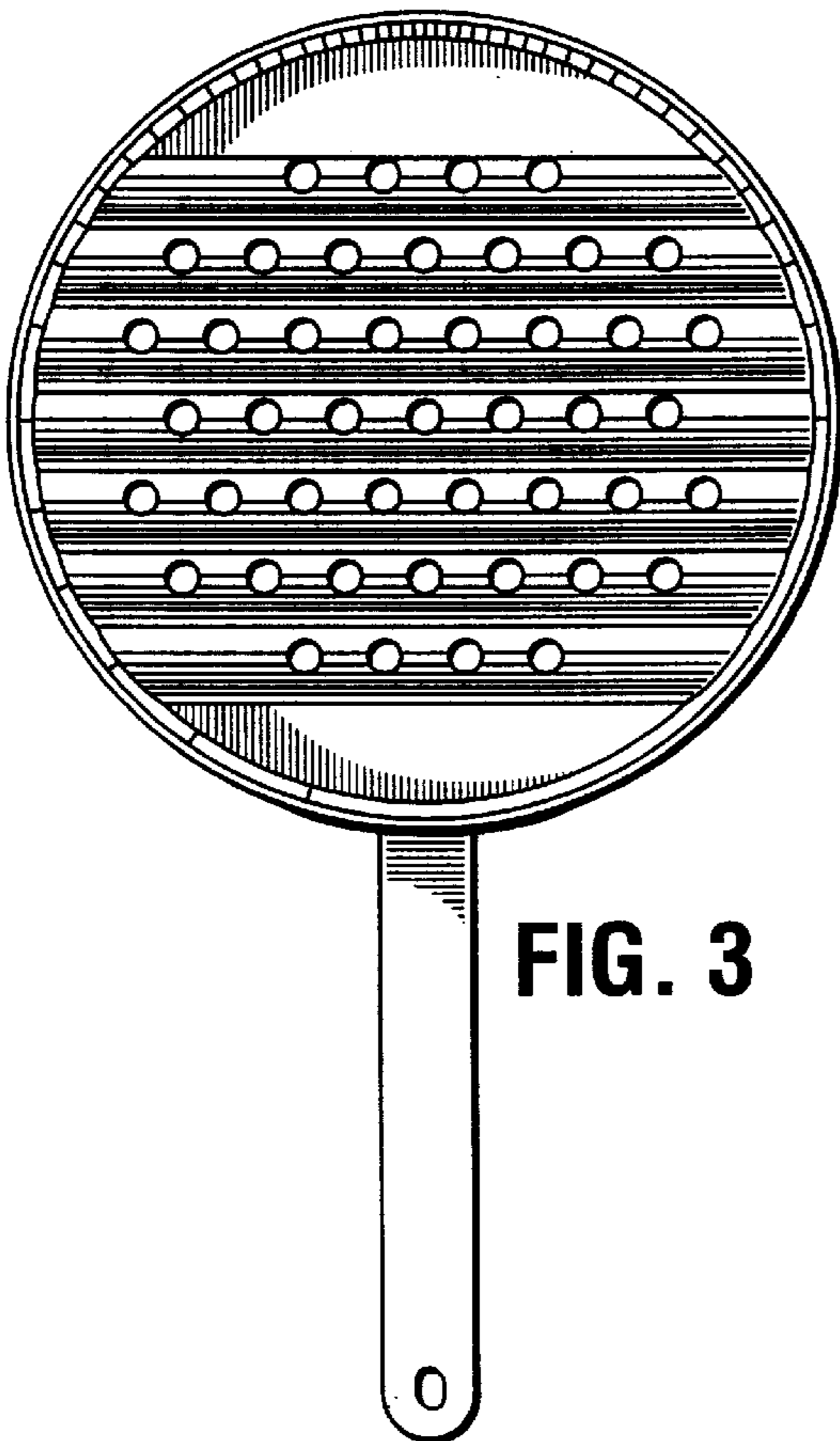




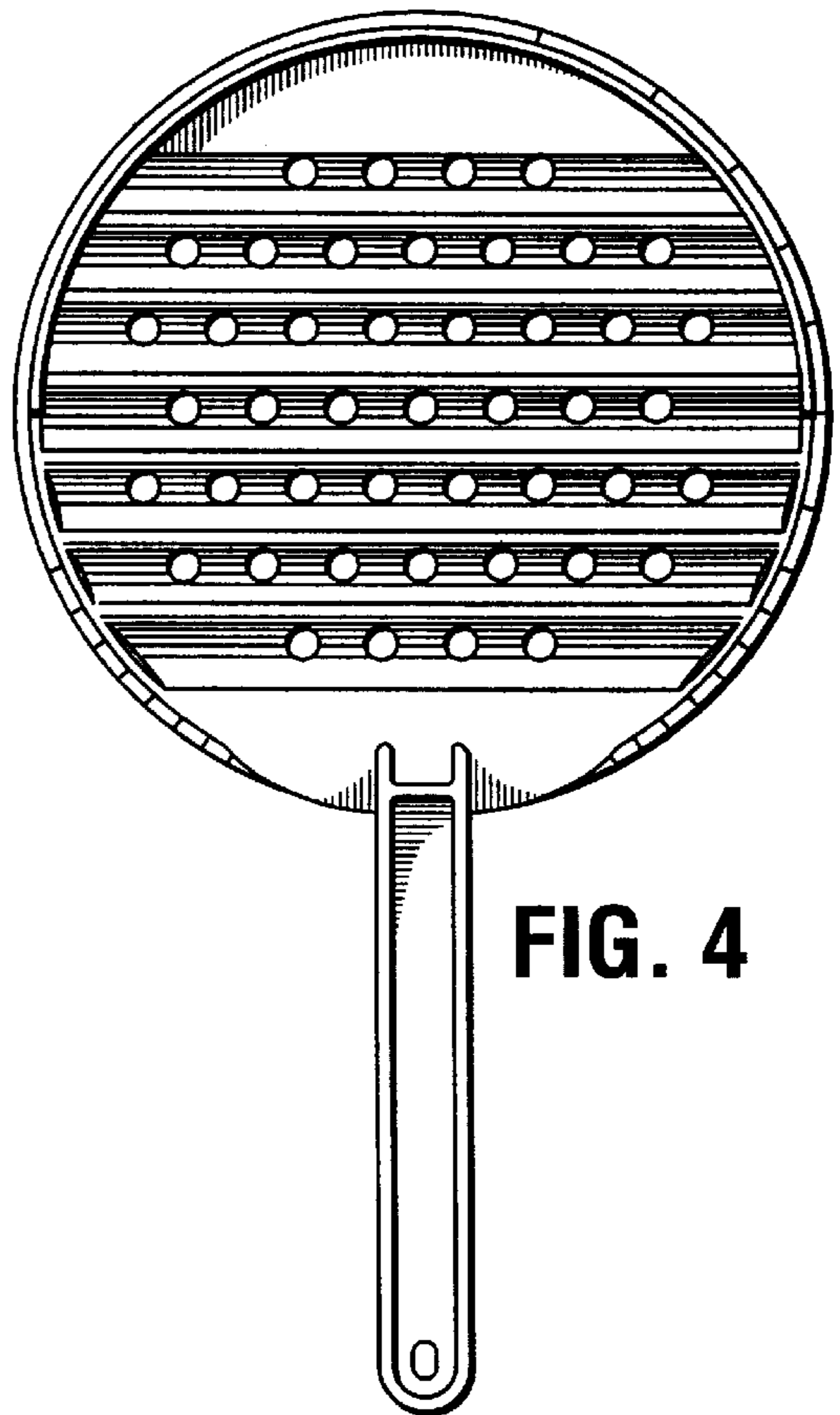
**FIG. 1**



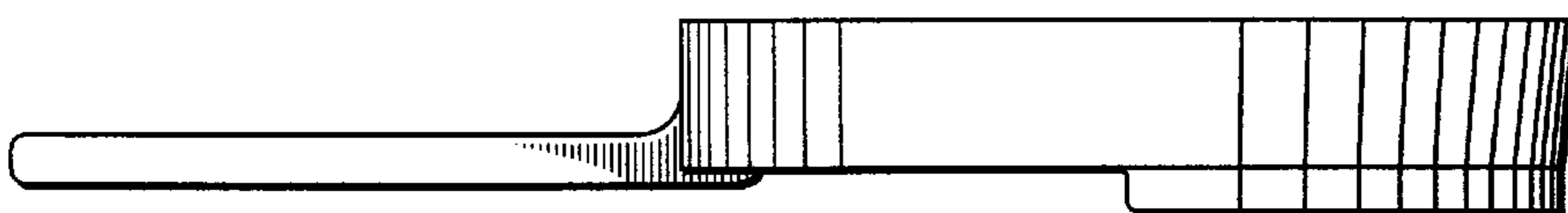
**FIG. 2**



**FIG. 3**



**FIG. 4**



**FIG. 5**