



US00D440801S

(12) **United States Design Patent**  
**Gottwald**

(10) **Patent No.:** **US D440,801 S**

(45) **Date of Patent:** **\*\* Apr. 24, 2001**

(54) **SOAP-DISH AND HOLDER ASSEMBLY**

(75) Inventor: **Adolf Gottwald, Iserlohn (DE)**

(73) Assignee: **Friedrich Grohe AG & Co. KG,**  
**Hemer (DE)**

(\*\*) Term: **14 Years**

(21) Appl. No.: **29/128,561**

(22) Filed: **Aug. 25, 2000**

(30) **Foreign Application Priority Data**

Mar. 16, 2000 (DE) ..... 4 00 02 688

(51) **LOC (7) Cl.** ..... **23-02**

(52) **U.S. Cl.** ..... **D6/540**

(58) **Field of Search** ..... D6/536-540, 532,  
D6/524; D27/102, 104; 248/309.1; 206/77.1;  
211/13.1, 86.01, 88.01, 126.1, 126.5, 134

(56) **References Cited**

**U.S. PATENT DOCUMENTS**

- D. 204,734 \* 5/1966 O'Neil ..... D6/536
- D. 371,735 \* 7/1996 Motta ..... D6/535 X
- D. 386,343 \* 11/1997 Moore ..... D6/532

- D. 394,773 \* 6/1998 Patel ..... D6/536
- D. 394,968 \* 6/1998 Gottwald ..... D6/540
- D. 416,153 \* 11/1999 Chen ..... D6/524
- D. 416,730 \* 11/1999 Chen ..... D6/540
- D. 424,349 \* 5/2000 Duggan ..... D6/540
- 4,151,972 \* 5/1979 Allegro ..... 211/88.01 X

\* cited by examiner

*Primary Examiner*—Brian N. Vinson

(74) *Attorney, Agent, or Firm*—Herbert Dubno

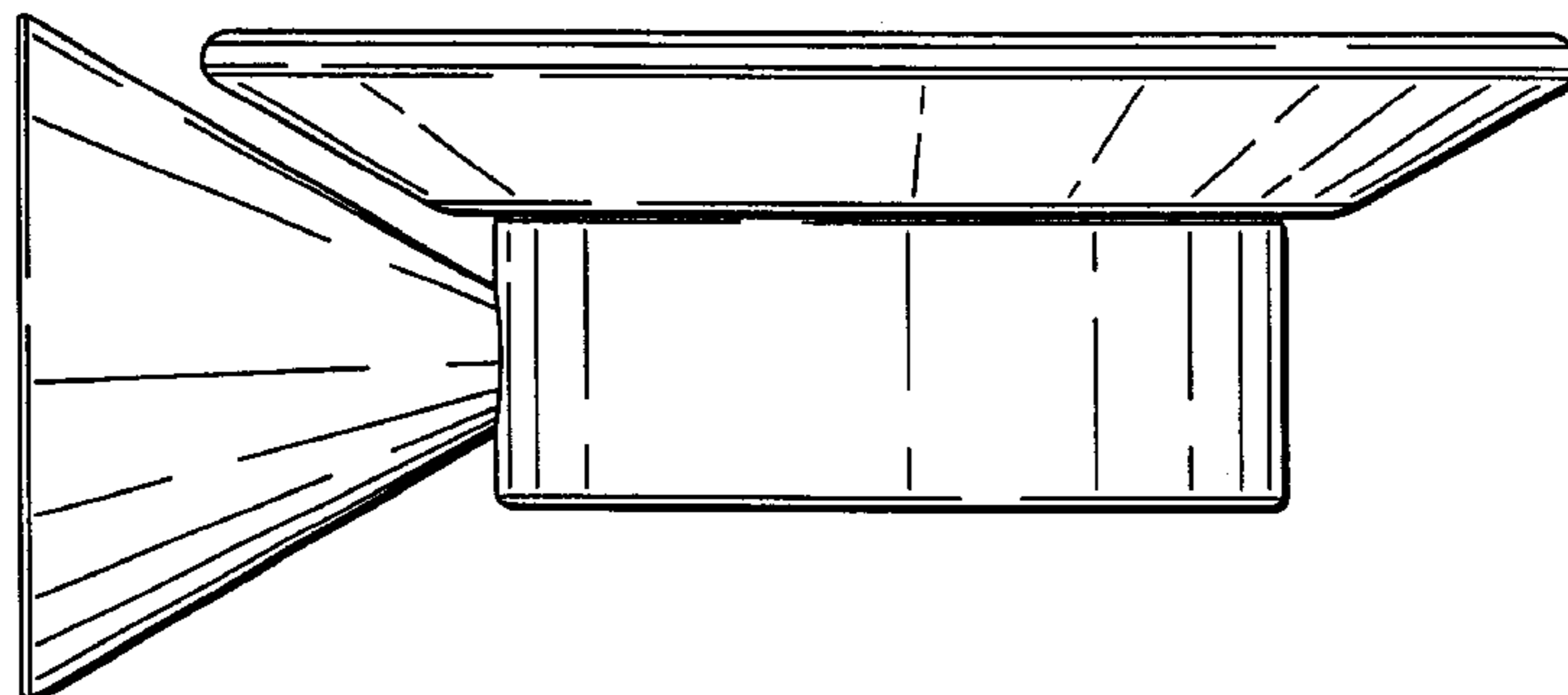
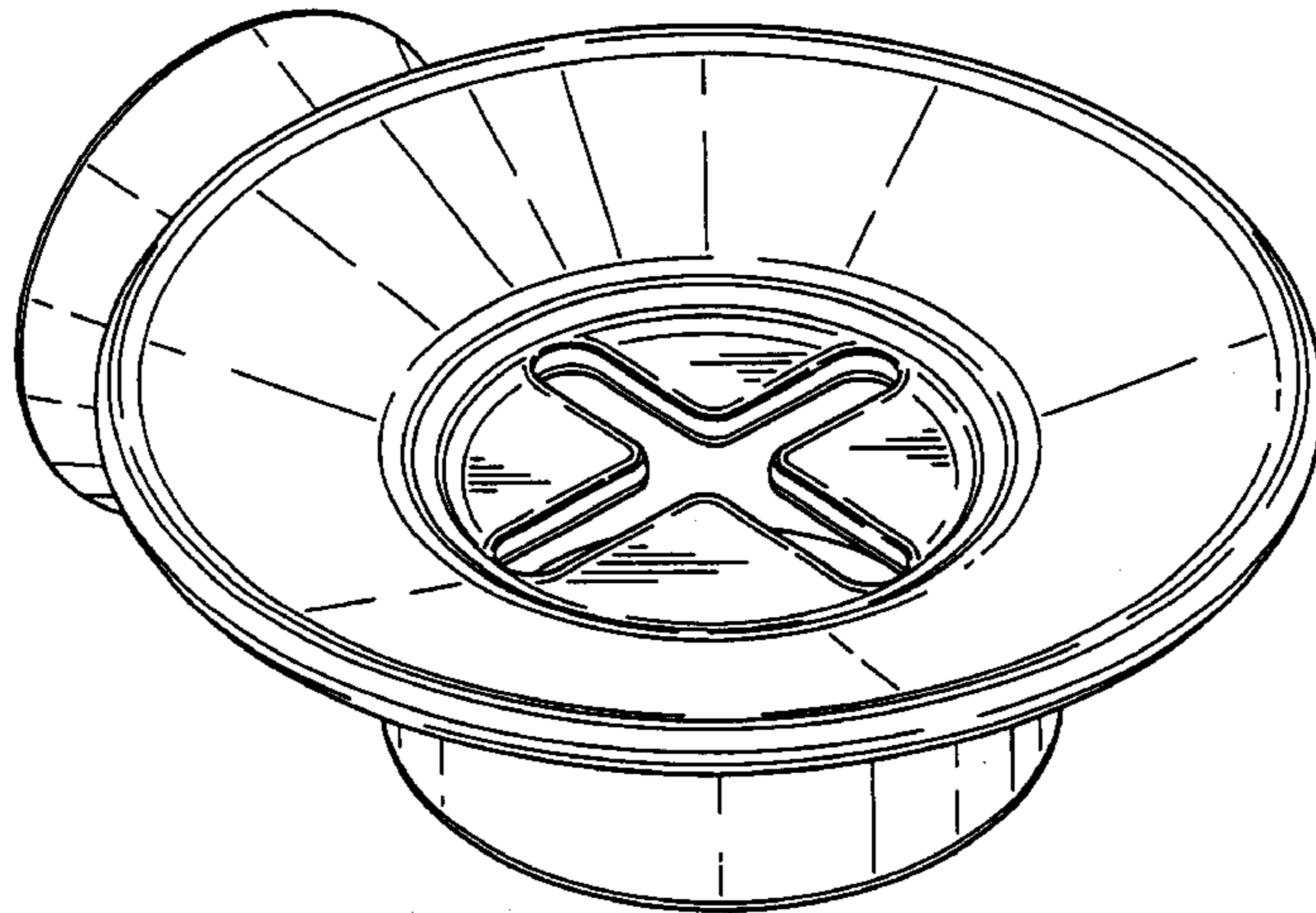
(57) **CLAIM**

The ornamental design for a soap-dish and holder assembly, as shown and described.

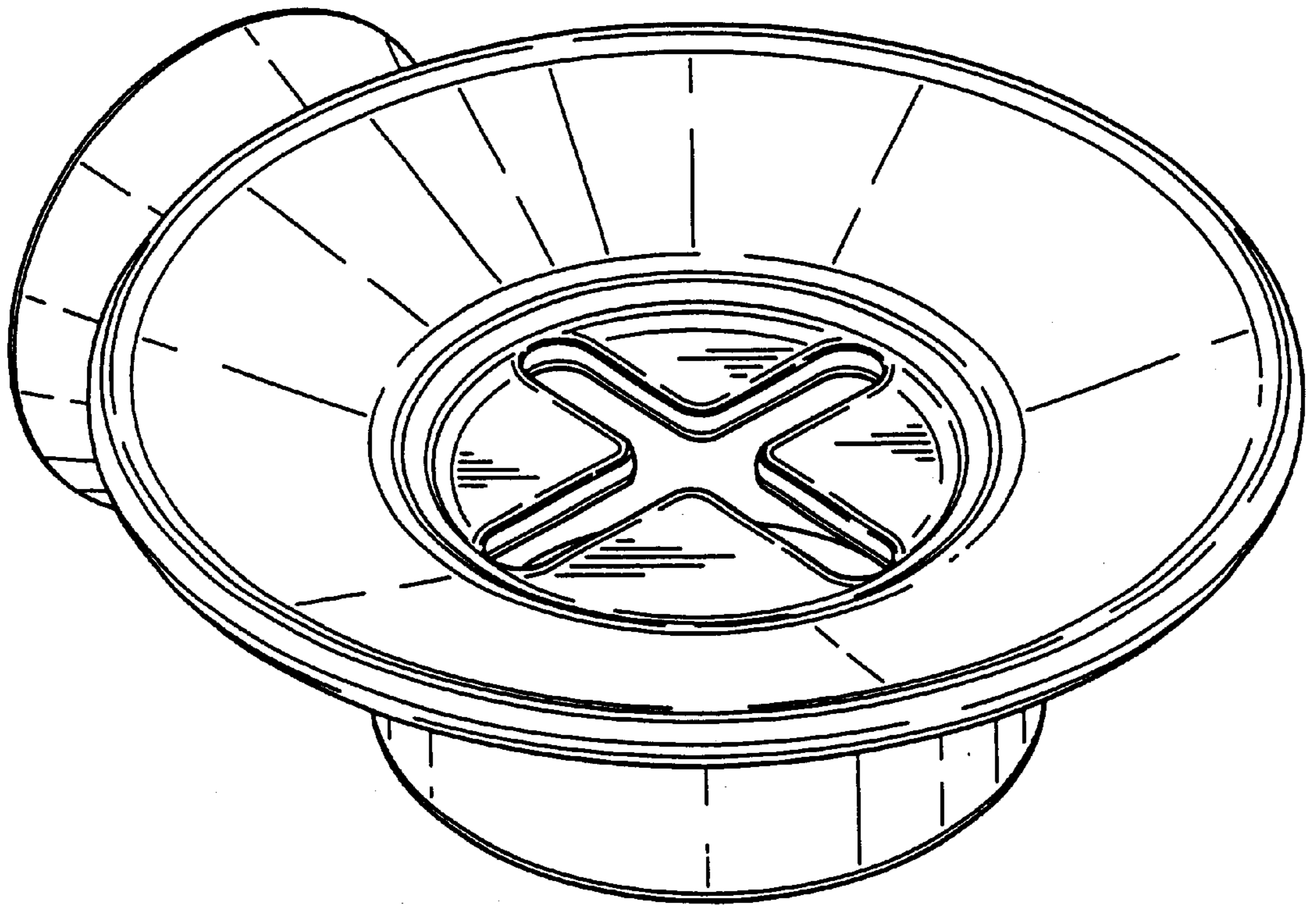
**DESCRIPTION**

FIG. 1 is a top, front, left-side perspective view of a soap-dish and holder assembly showing my new design;  
 FIG. 2 is a top plan view thereof;  
 FIG. 3 is a left side elevational view thereof;  
 FIG. 4 is a bottom plan view thereof;  
 FIG. 5 is a left side elevational view thereof, the right side elevational view being mirror symmetrical thereto  
 FIG. 6 is a rear view thereof; and,  
 FIG. 7 is a front elevational view thereof.

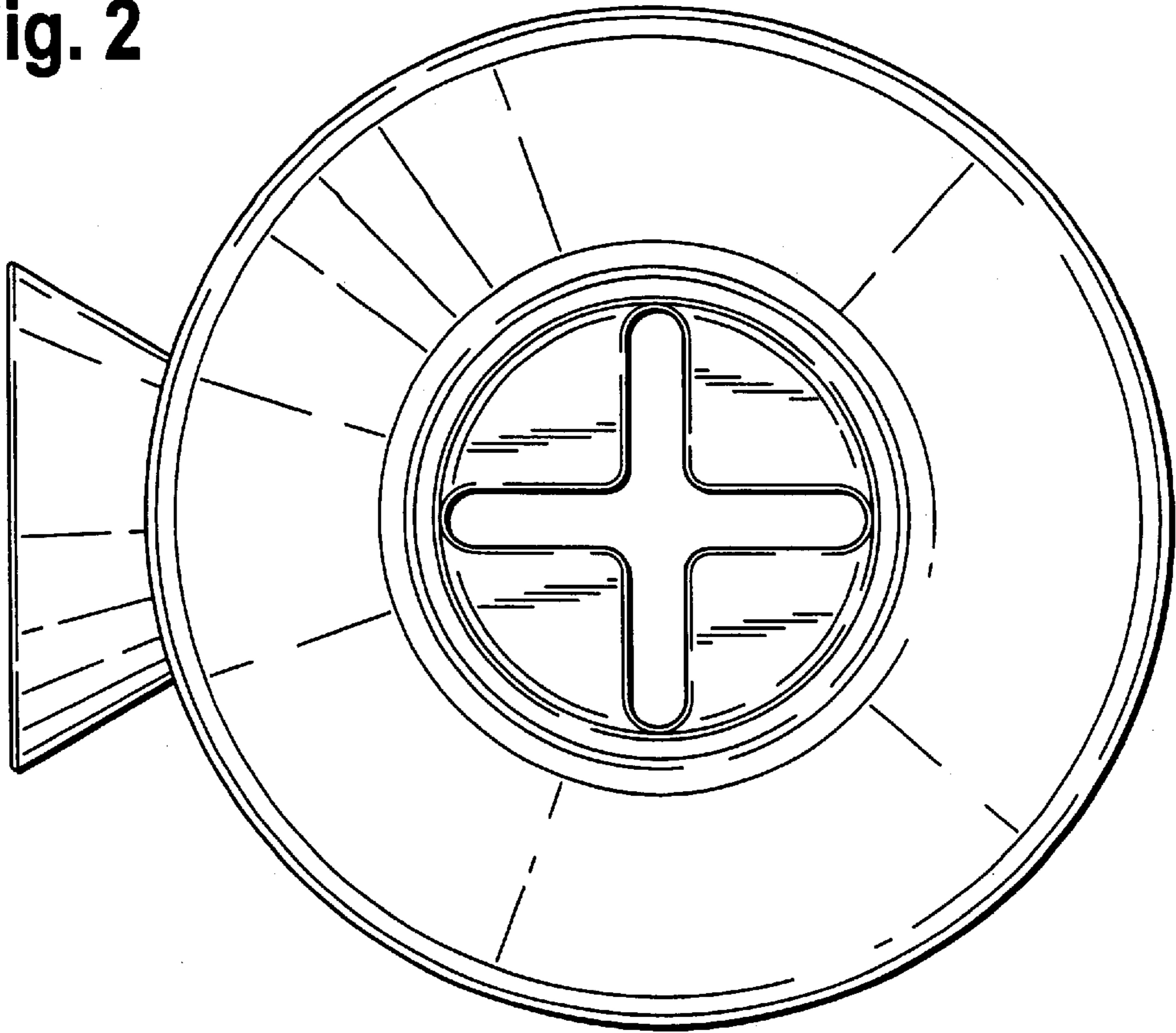
**1 Claim, 4 Drawing Sheets**



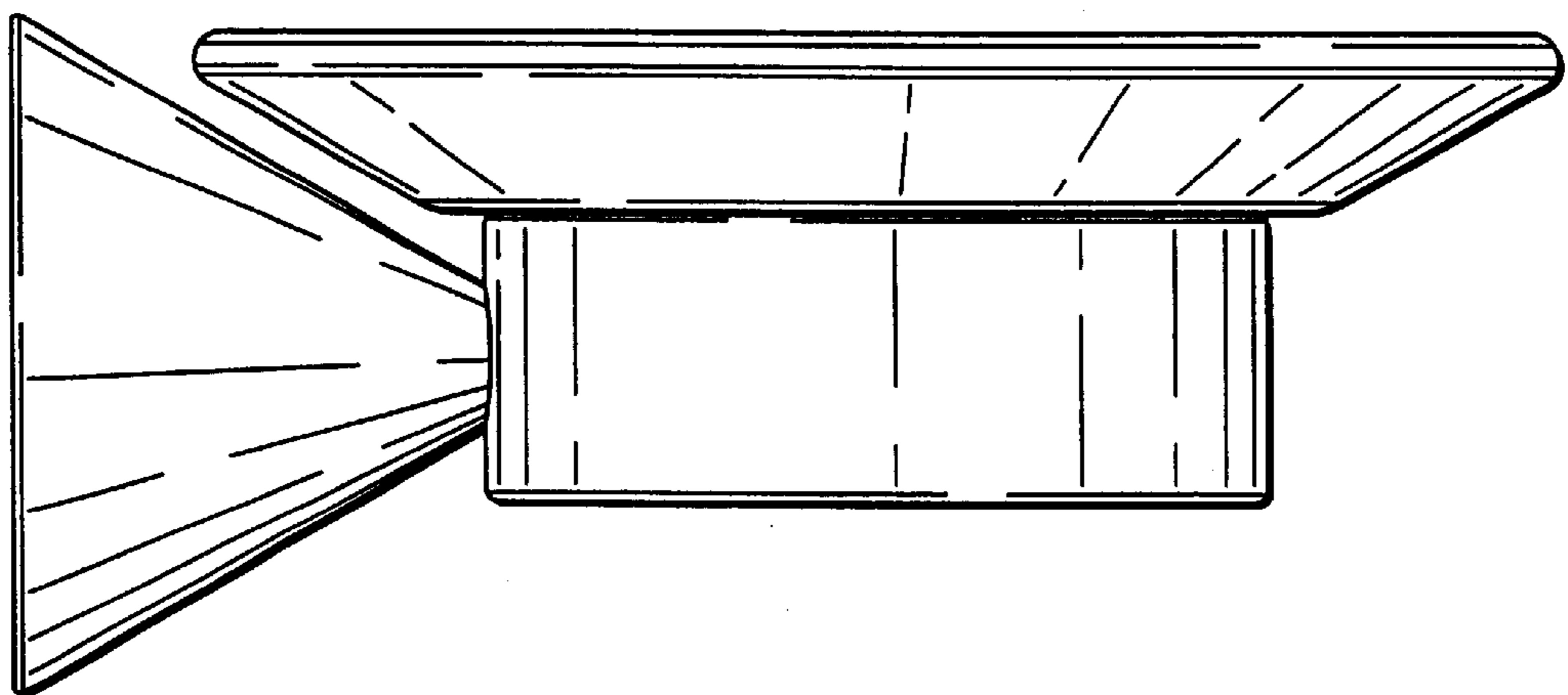
**Fig. 1**



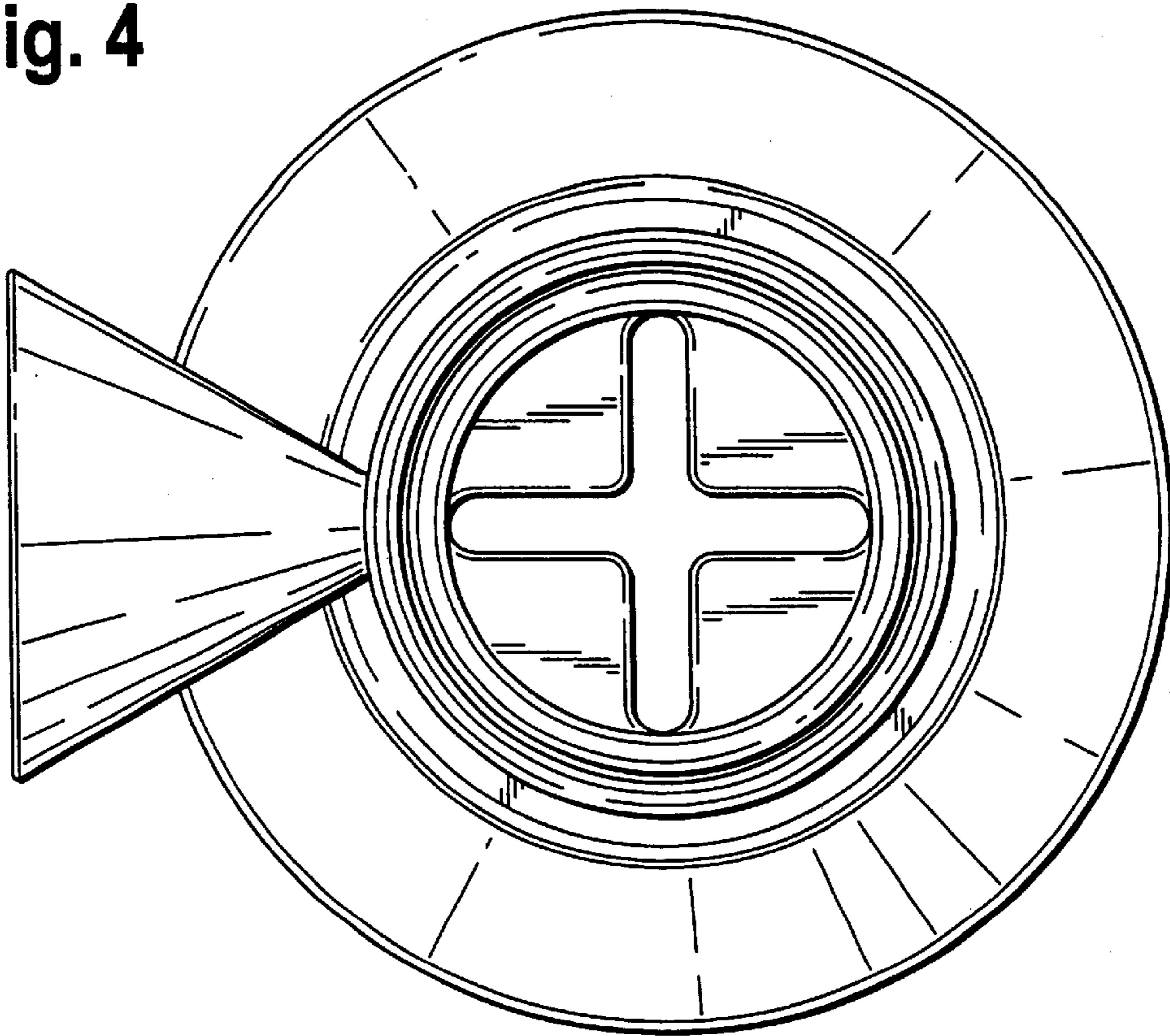
**Fig. 2**



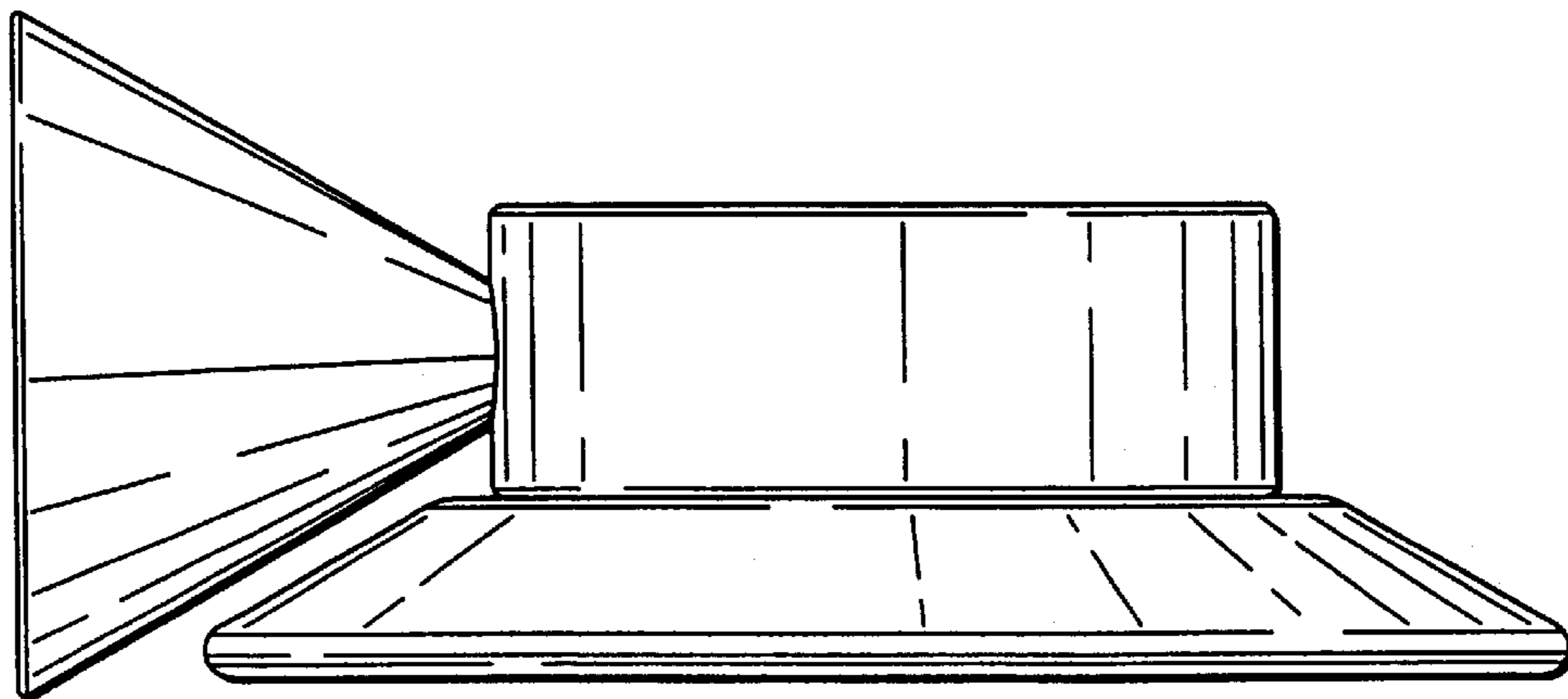
**Fig. 3**



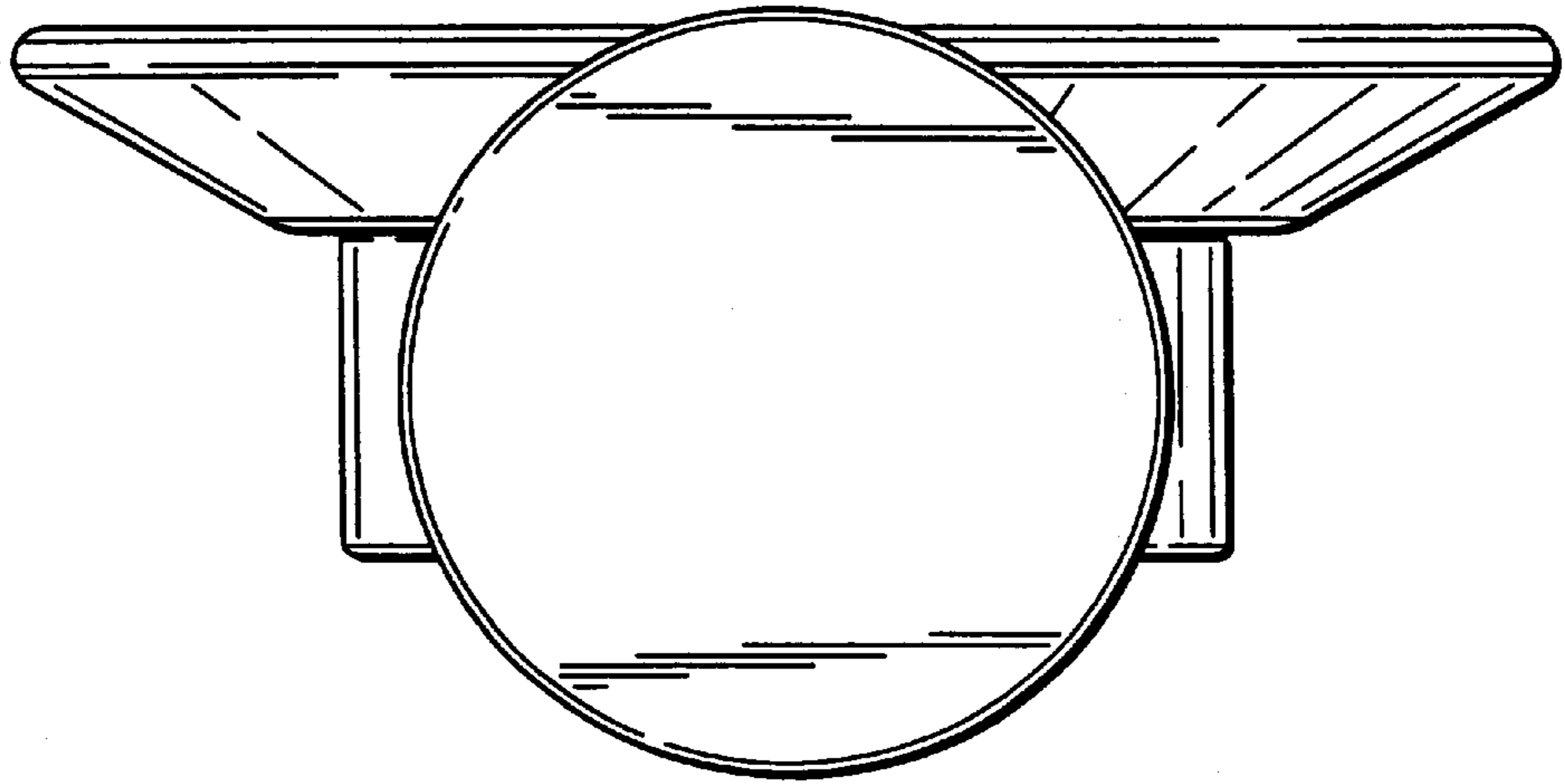
**Fig. 4**



**Fig. 5**



**Fig. 6**



**Fig. 7**

