



US00D440794S

(12) **United States Design Patent**  
**Zobel, Jr. et al.**

(10) **Patent No.:** **US D440,794 S**

(45) **Date of Patent:** **\*\* Apr. 24, 2001**

(54) **DISPLAY STATION**

(75) Inventors: **Richard W. Zobel, Jr.**, Raleigh, NC (US); **Maaïke Evers**, San Francisco, CA (US); **Joel B. Jacobs**, Minneapolis, MN (US)

(73) Assignee: **Elumens Corporation**, Cary, NC (US)

(\*\*) Term: **14 Years**

(21) Appl. No.: **29/122,974**

(22) Filed: **May 8, 2000**

(51) **LOC (7) Cl.** ..... **06-99**

(52) **U.S. Cl.** ..... **D6/449**

(58) **Field of Search** ..... D6/449, 450, 472, D6/473, 474; 211/41.7, 113, 115, 134, 135

(56) **References Cited**

**U.S. PATENT DOCUMENTS**

D. 132,985	*	7/1942	Lyons	.....	D6/449
D. 252,244	*	7/1979	Edson	.....	D6/473
D. 258,784	*	4/1981	Edson	.....	D6/473
D. 261,449	*	10/1981	Edson	.....	D6/473
D. 394,002	*	5/1998	Morelli	.....	D6/472

\* cited by examiner

*Primary Examiner*—Nanda Bondade

(74) *Attorney, Agent, or Firm*—Myers Bigel Sibley & Sajovec

(57) **CLAIM**

The ornamental design for a display station, as shown and described.

**DESCRIPTION**

FIG. 1 is a front perspective view of a display station showing our new design;

FIG. 2 is a front elevational view of the display station of FIG. 1;

FIG. 3 is a left side elevational view of the display station of FIG. 1;

FIG. 4 is a right side elevational view of the display station of FIG. 1;

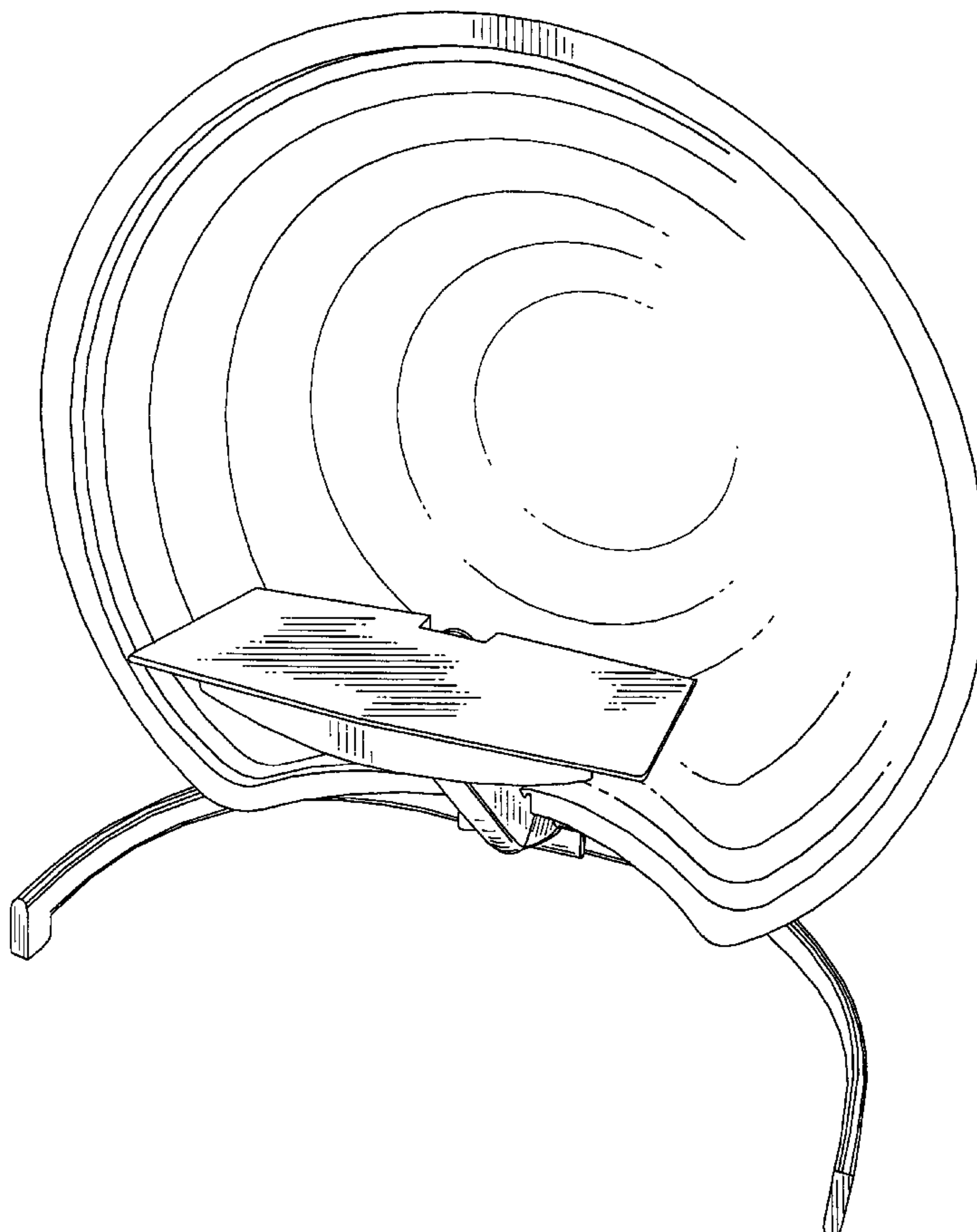
FIG. 5 is a rear elevational view of the display station of FIG. 1;

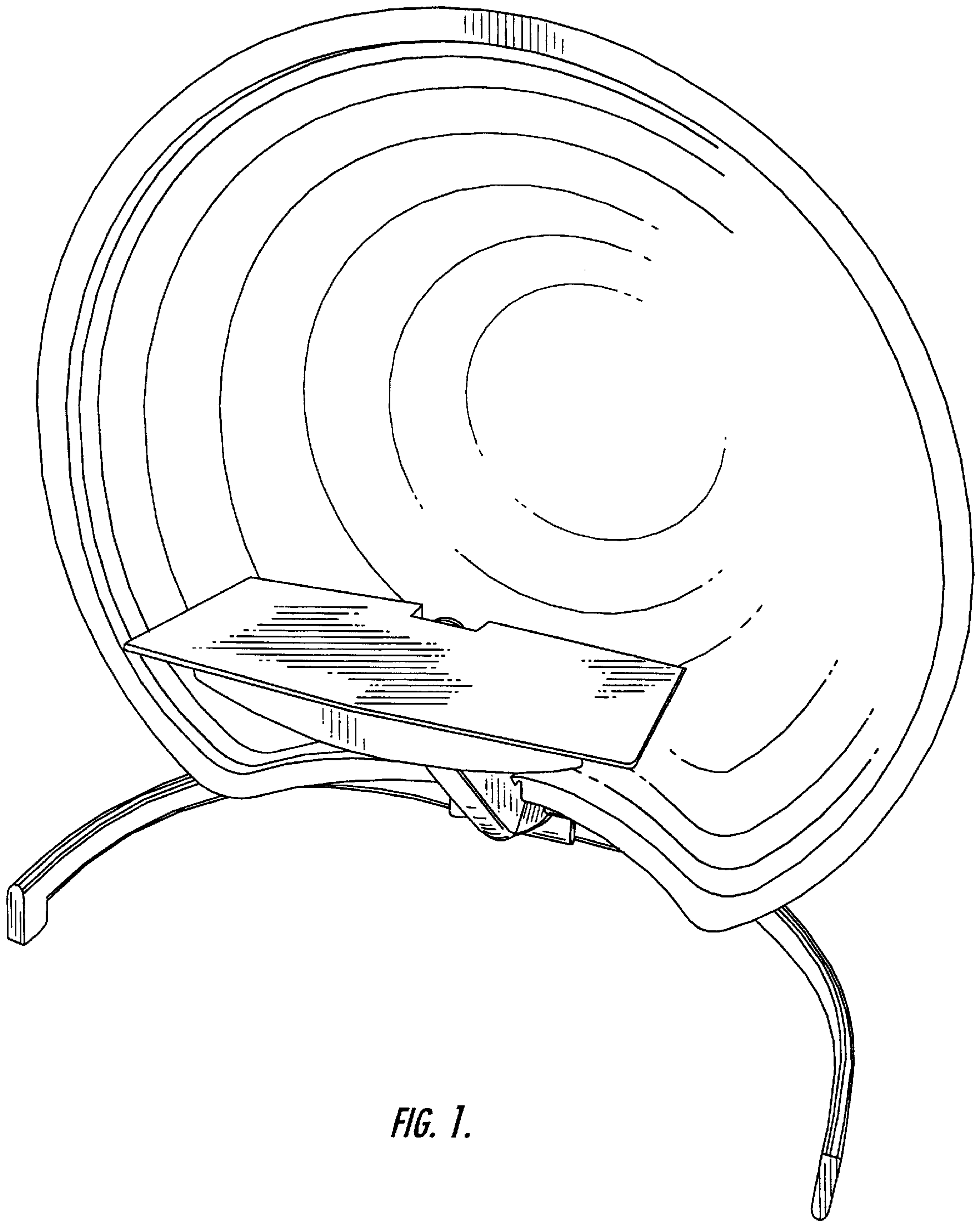
FIG. 6 is a bottom plan view of the display station of FIG. 1; and,

FIG. 7 is a top plan view of the display station of FIG. 1.

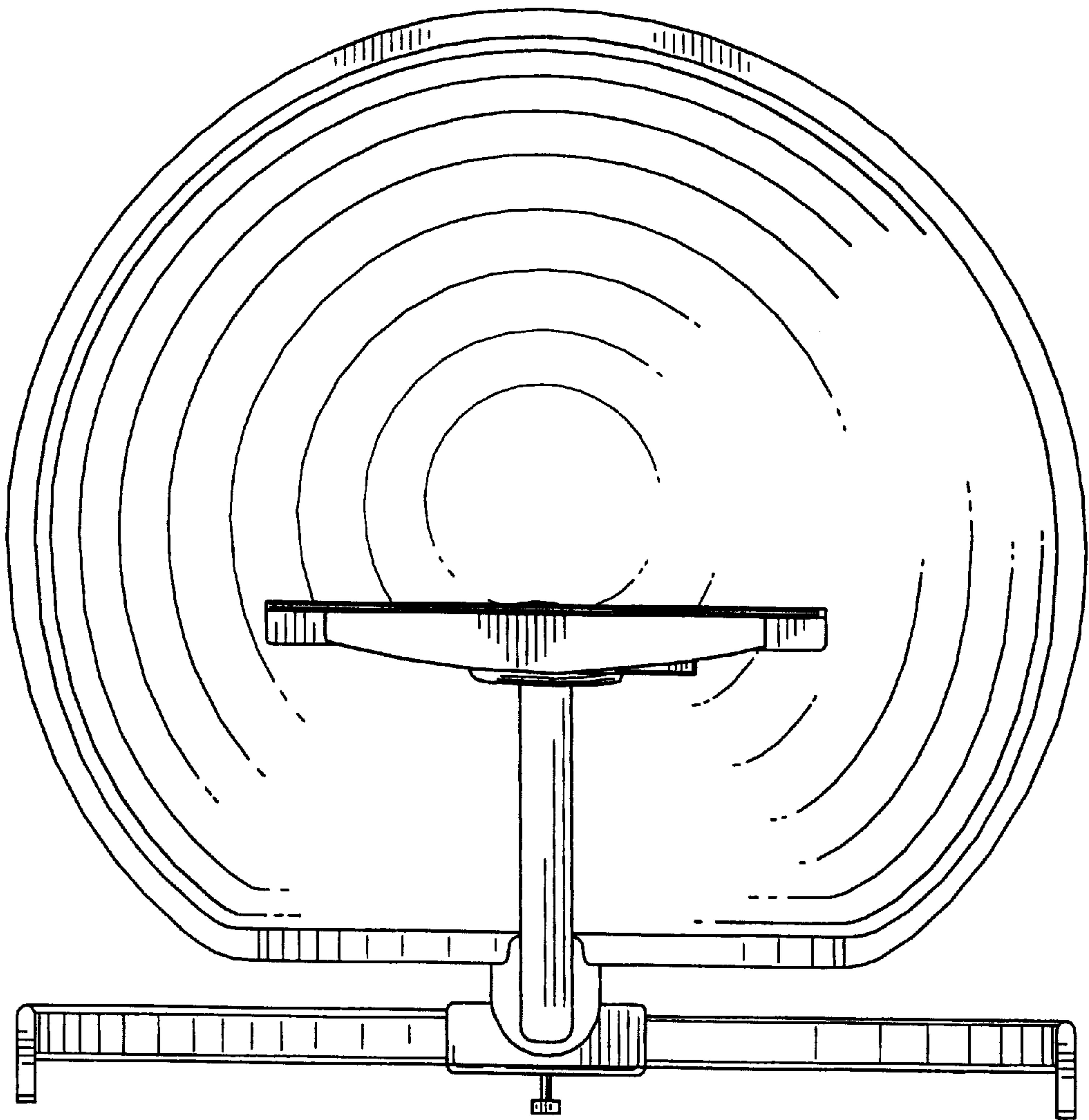
FIGS. 1, 6 and 7 are on an enlarged scale.

**1 Claim, 7 Drawing Sheets**

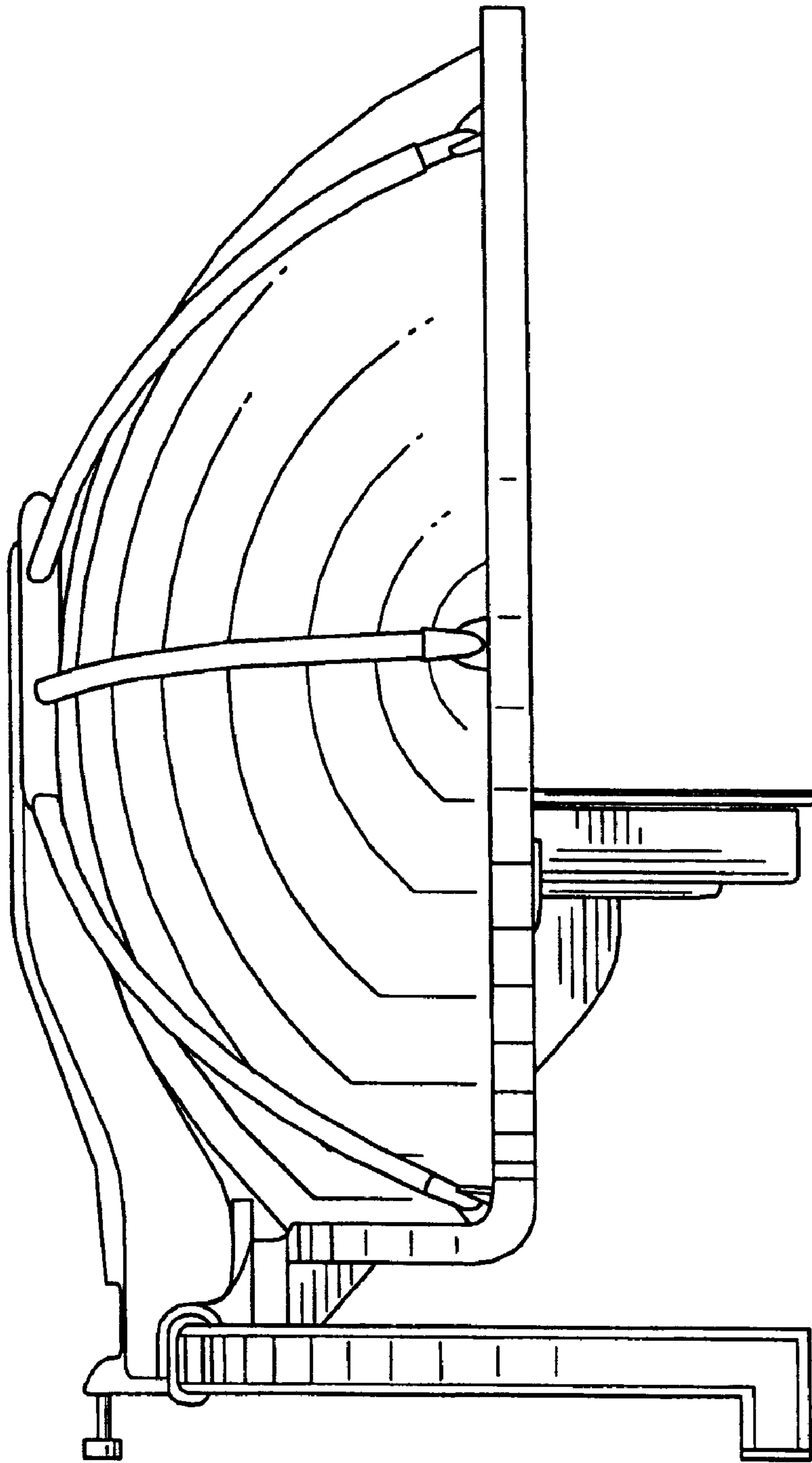




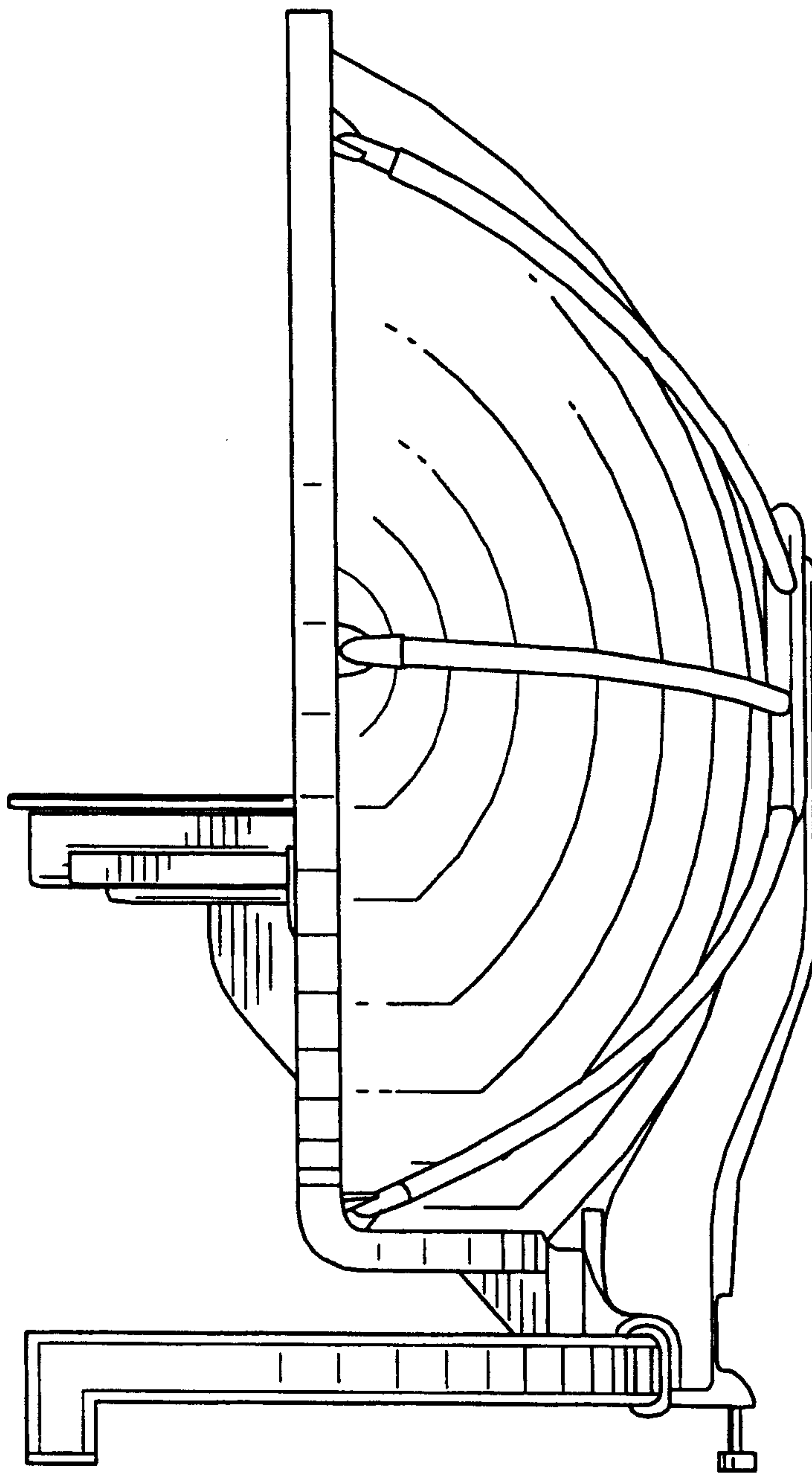
*FIG. 1.*



**FIG. 2.**

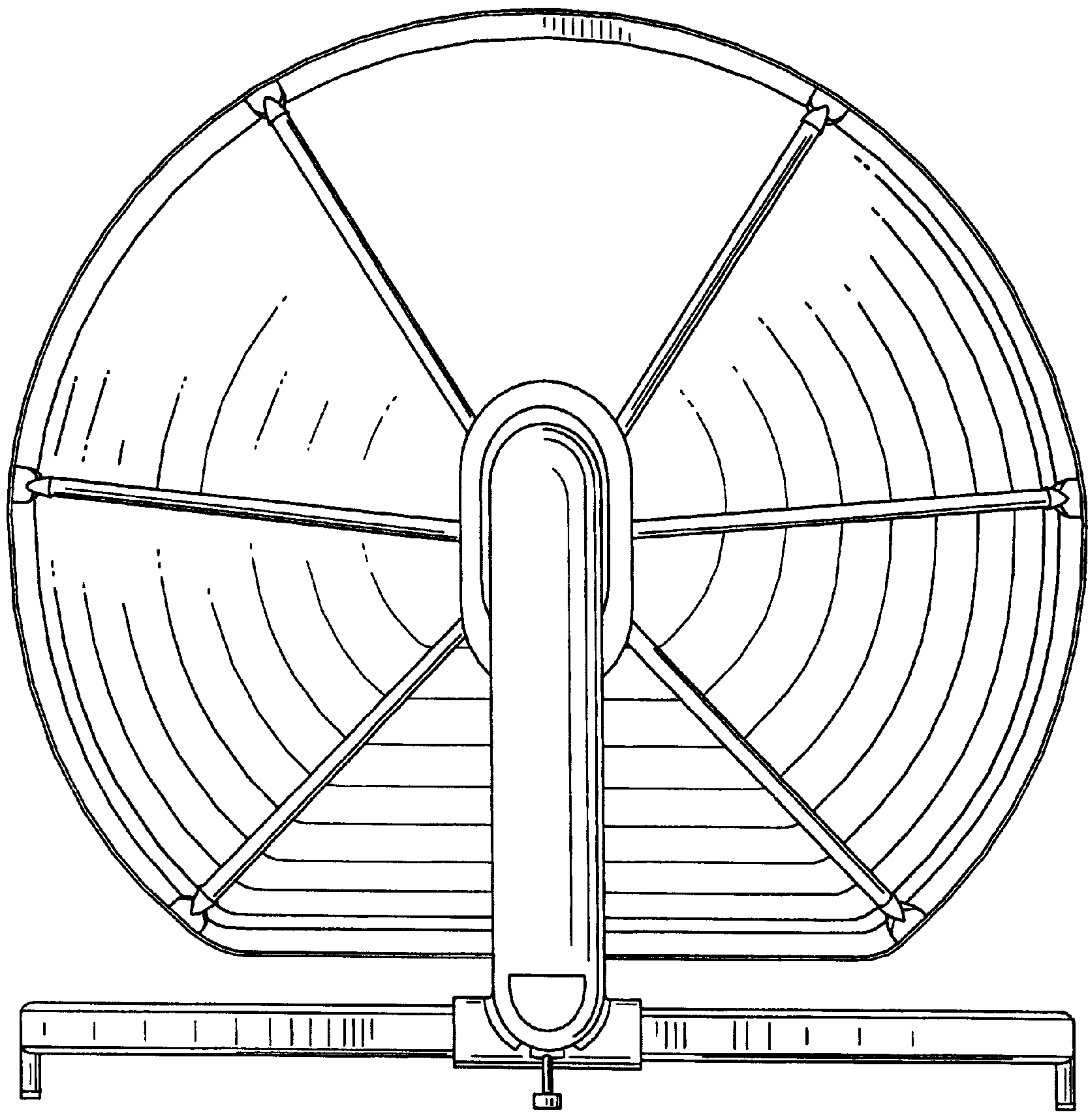


**FIG. 3.**



**FIG. 4.**





*FIG. 5.*

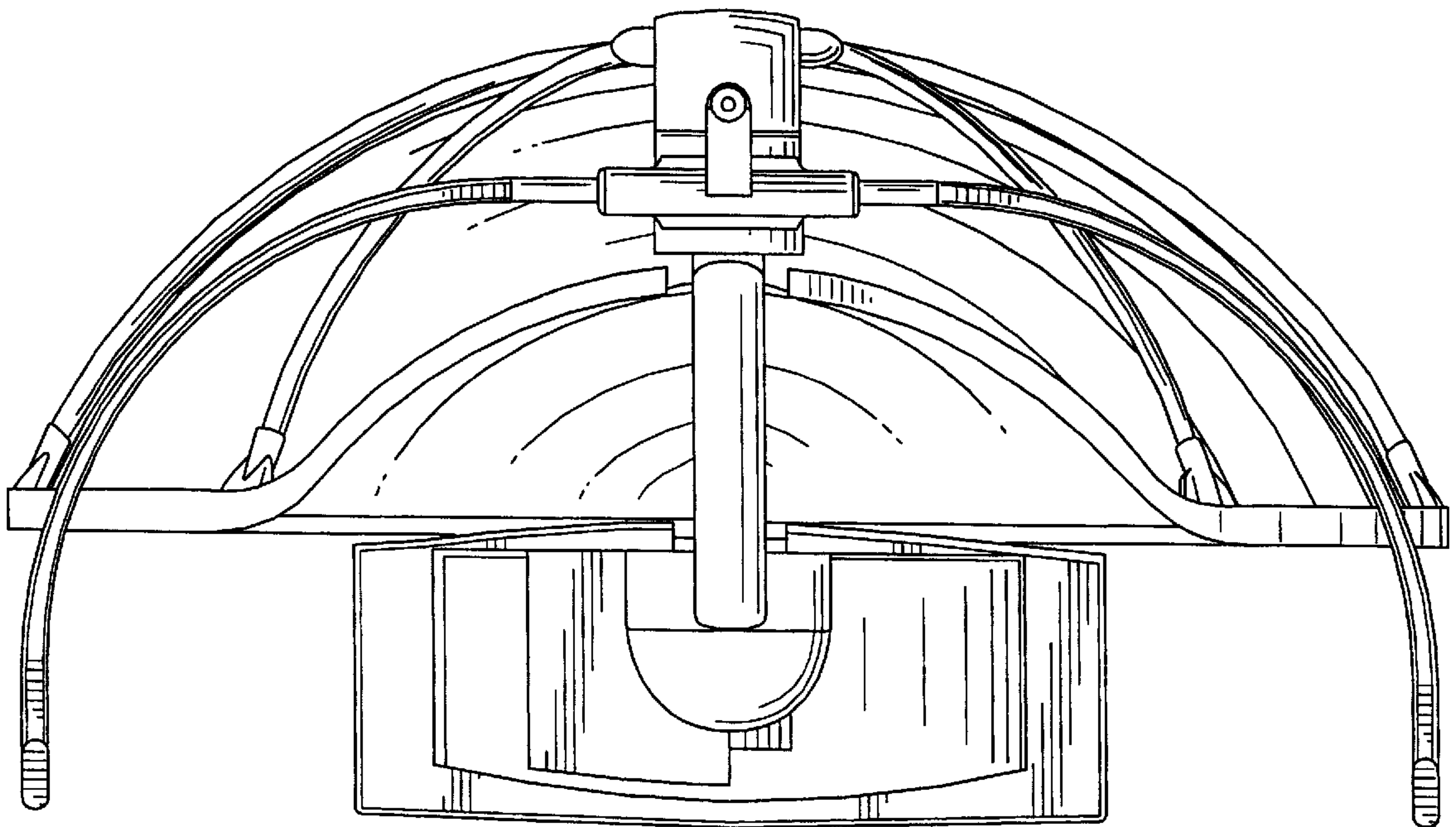


FIG. 6.

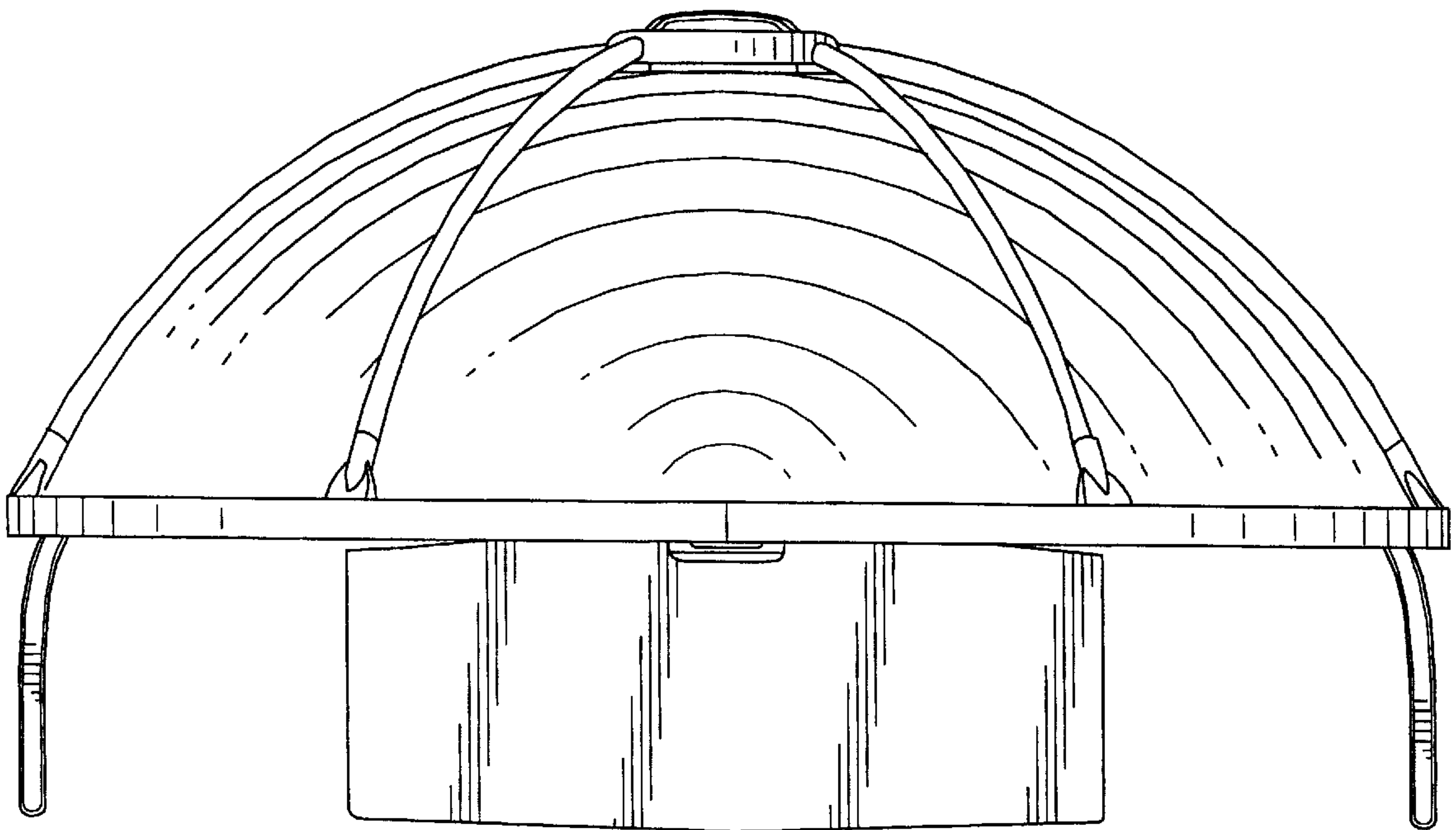


FIG. 7.