



US00D440791S

(12) **United States Design Patent**
Cain

(10) **Patent No.:** **US D440,791 S**

(45) **Date of Patent:** **** Apr. 24, 2001**

(54) **TABLE**

(75) Inventor: **Charles C. Cain**, High Point, NC (US)

(73) Assignee: **Thomasville Furniture Industries, Inc.**, Thomasville, NC (US)

(**) Term: **14 Years**

(21) Appl. No.: **29/121,142**

(22) Filed: **Mar. 31, 2000**

(51) **LOC (7) Cl.** **06-04**

(52) **U.S. Cl.** **D6/446; D6/480**

(58) **Field of Search** **D6/432-448, 480, D6/484; 312/204**

(56) **References Cited**

U.S. PATENT DOCUMENTS

- D. 362,770 * 10/1995 Green D6/480
- D. 413,460 * 9/1999 Schroeder D6/480
- D. 429,915 * 8/2000 Hazen et al. D6/432
- D. 432,817 * 10/2000 Gallien D6/445

OTHER PUBLICATIONS

Jeanette A. Thomas, *Images of The Gamble House*, p. 38, 1989.

Collector's Curio Cocktail Table, American Revival Collection, Thomasville Furniture Industries, Inc., p. 31, 1994.

* cited by examiner

Primary Examiner—Cathron Brooks

(74) *Attorney, Agent, or Firm*—Rhodes & Mason, P.L.L.C.

(57) **CLAIM**

The ornamental design for a table, as shown and described.

DESCRIPTION

FIG. 1 is a left front perspective view of a table showing my new design;

FIG. 2 is a front elevational view, the rear view being a mirror image thereof;

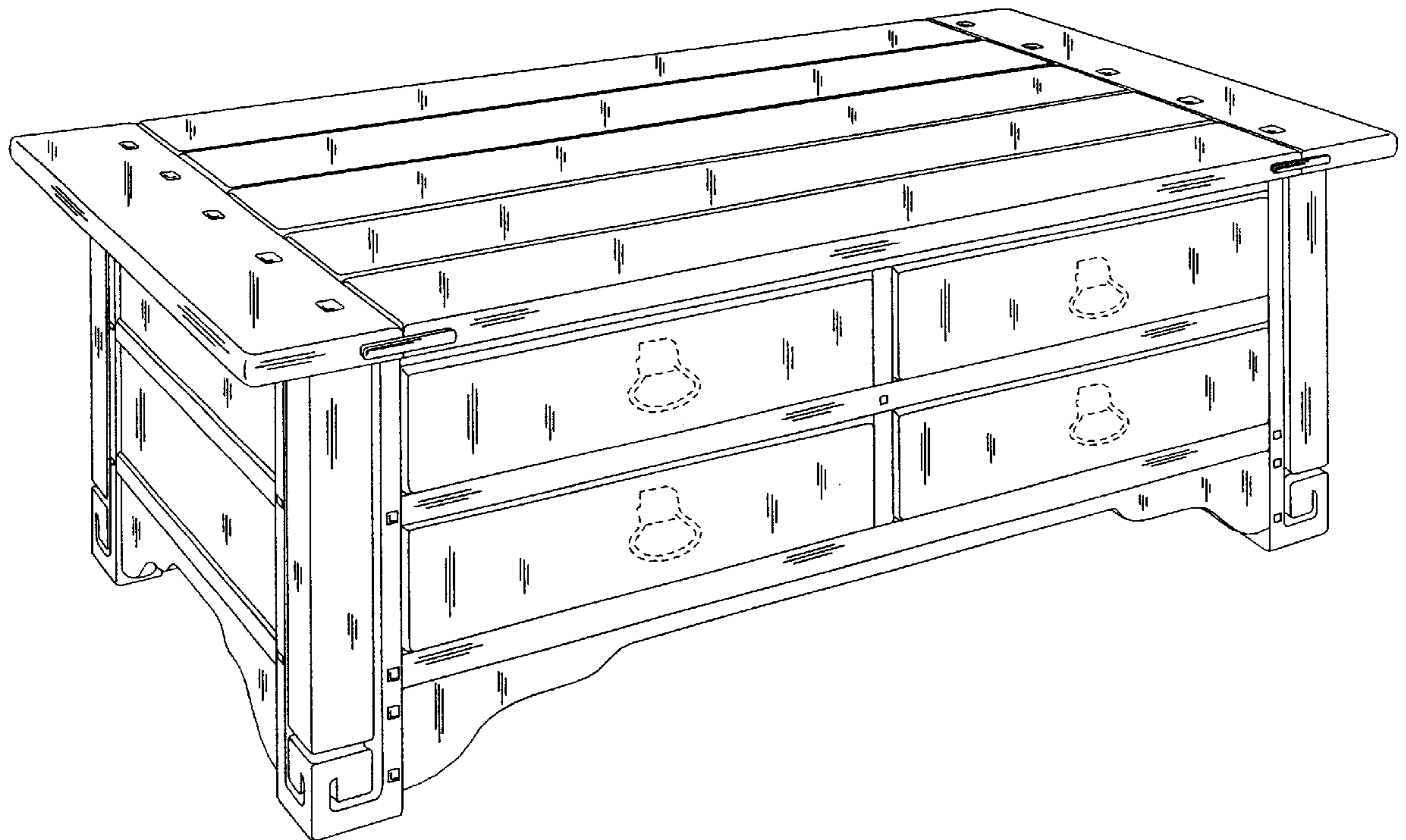
FIG. 3 is a side elevational view, the opposite side being a mirror image thereof;

FIG. 4 is a top view thereof; and,

FIG. 5 is an enlarged partial perspective view of a corner section thereof.

The bottom view is not shown and forms no part of the claimed design. The dashed lines represent environmental elements only and form no part of the claimed design.

1 Claim, 4 Drawing Sheets



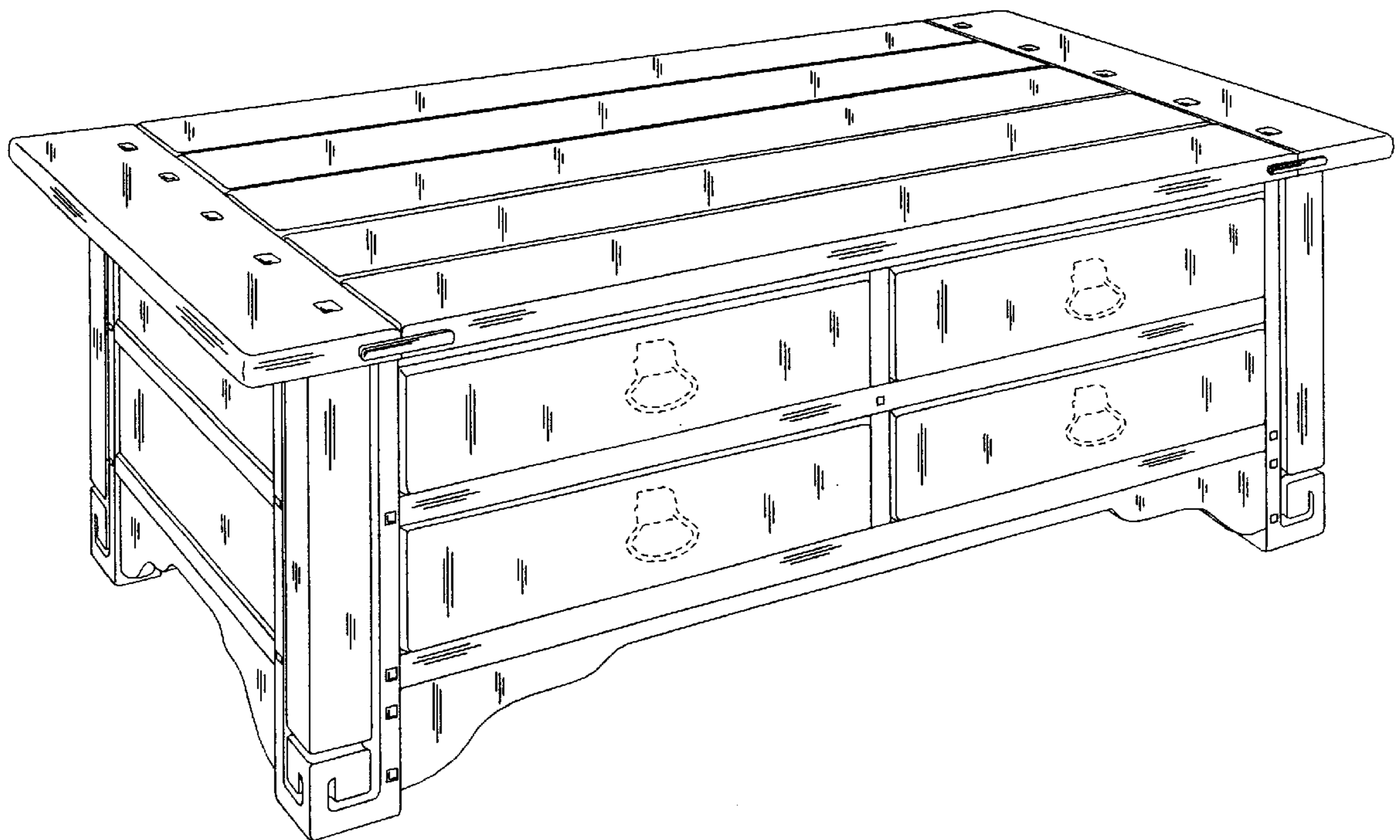


FIG. 1

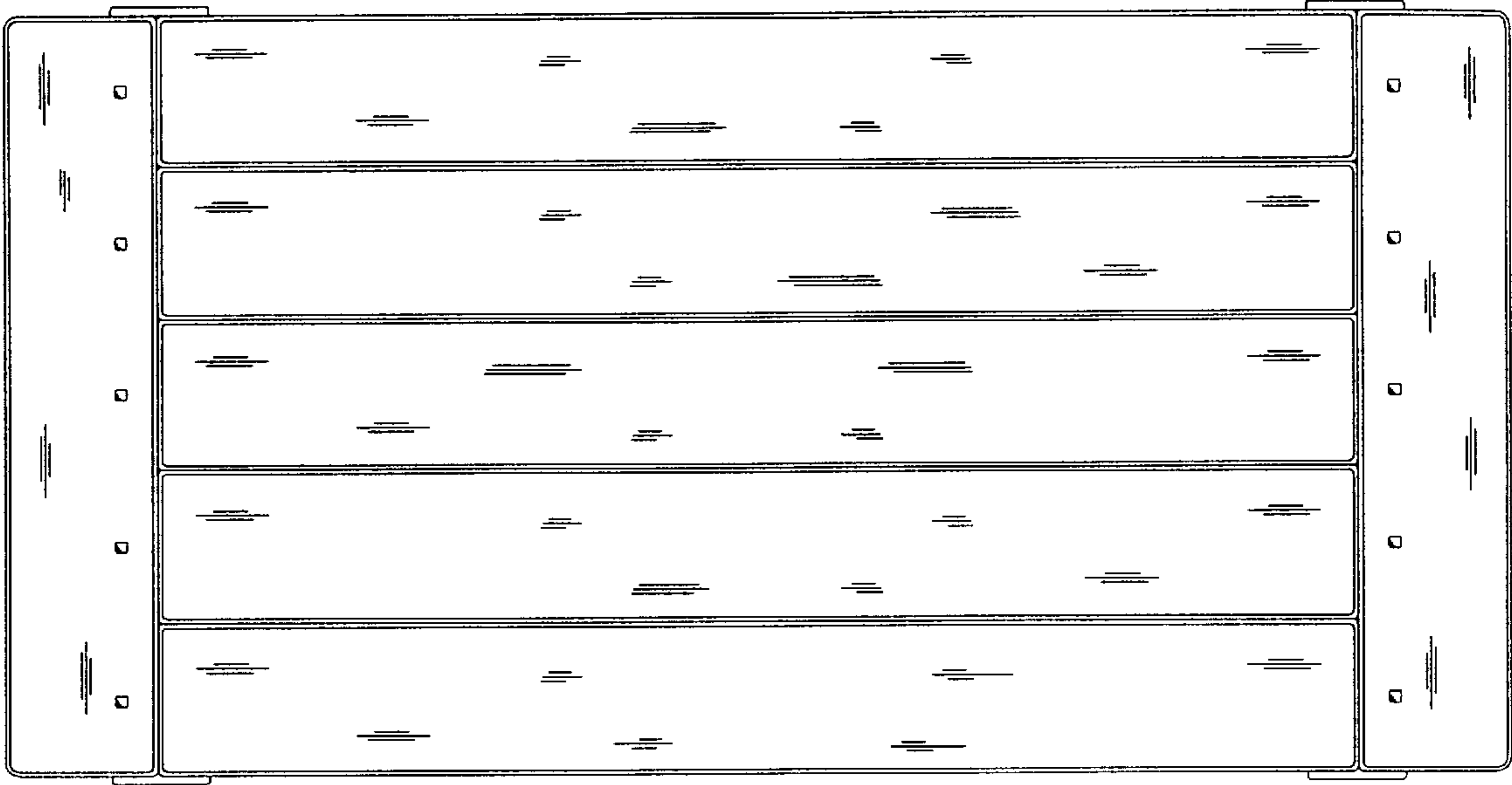


FIG. 4

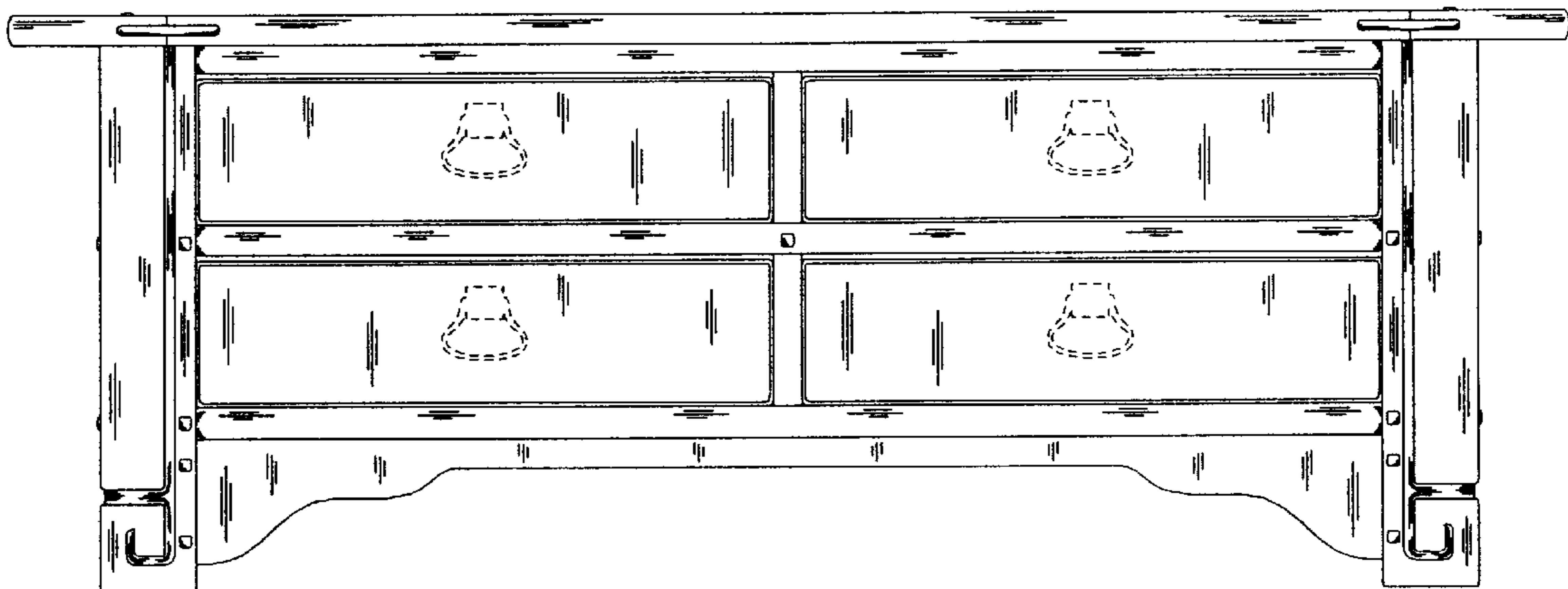


FIG. 2

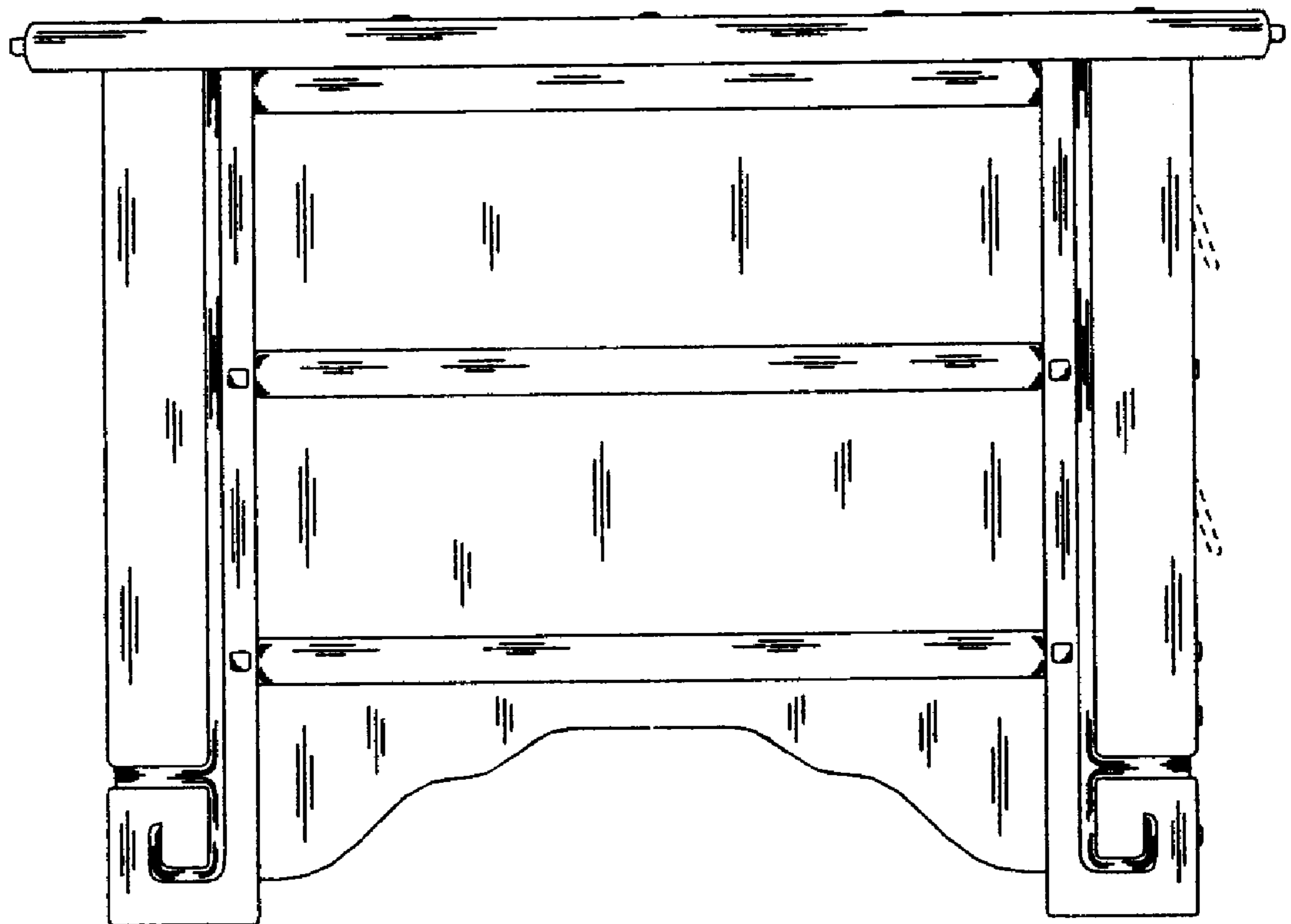


FIG. 3

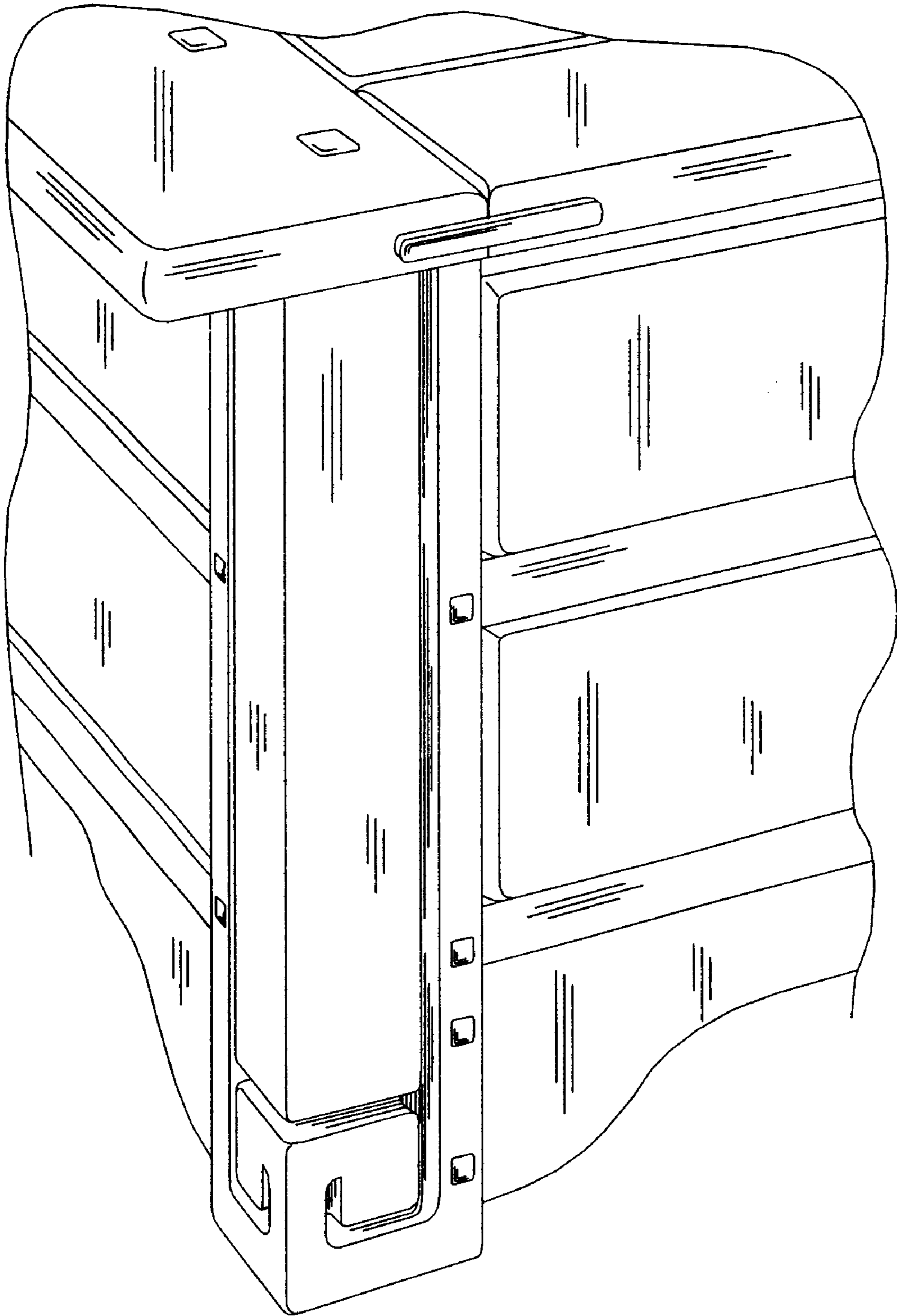


FIG. 5