



US00D440782S

(12) **United States Design Patent**
Watson

(10) **Patent No.:** **US D440,782 S**

(45) **Date of Patent:** **** Apr. 24, 2001**

(54) **CHAIR HAVING THE APPEARANCE OF A SAILFISH**

(76) **Inventor:** **Robert Watson**, 2445 SW. 18th Ter., Apt. 205, Ft. Lauderdale, FL (US) 33315

(**) **Term:** **14 Years**

(21) **Appl. No.:** **29/121,285**

(22) **Filed:** **Apr. 4, 2000**

(51) **LOC (7) Cl.** **06-01**

(52) **U.S. Cl.** **D6/359**

(58) **Field of Search** D6/334, 335, 344, D6/345, 348, 351, 358, 359, 360, 361, 375, 379, 500-502; D12/129; D21/414, 415, 428, 521; 297/181

(56) **References Cited**

U.S. PATENT DOCUMENTS

D. 57,067	*	2/1921	Wood	D21/428
D. 71,940		2/1927	Hansen	.	
D. 154,517	*	7/1949	Strack	D6/345
D. 169,466		4/1953	White	.	
D. 210,824		4/1968	Blix	.	
D. 227,427		6/1973	Hutchinson et al.	.	
D. 264,955	*	6/1982	Johnson	D12/129
D. 266,290		9/1982	Orenstein	.	
D. 279,333	*	6/1985	Brown et al.	D6/335
D. 319,354		8/1991	Wolcott	D6/370

D. 372,803		8/1996	Tucker	D6/359
D. 374,994	*	10/1996	Loader	D6/359
D. 380,618		7/1997	Collins	D6/345
D. 380,621		7/1997	Denten	D6/359

* cited by examiner

Primary Examiner—Doris V. Coles

Assistant Examiner—Mimosa De

(74) *Attorney, Agent, or Firm*—Tom Hamill, Jr.

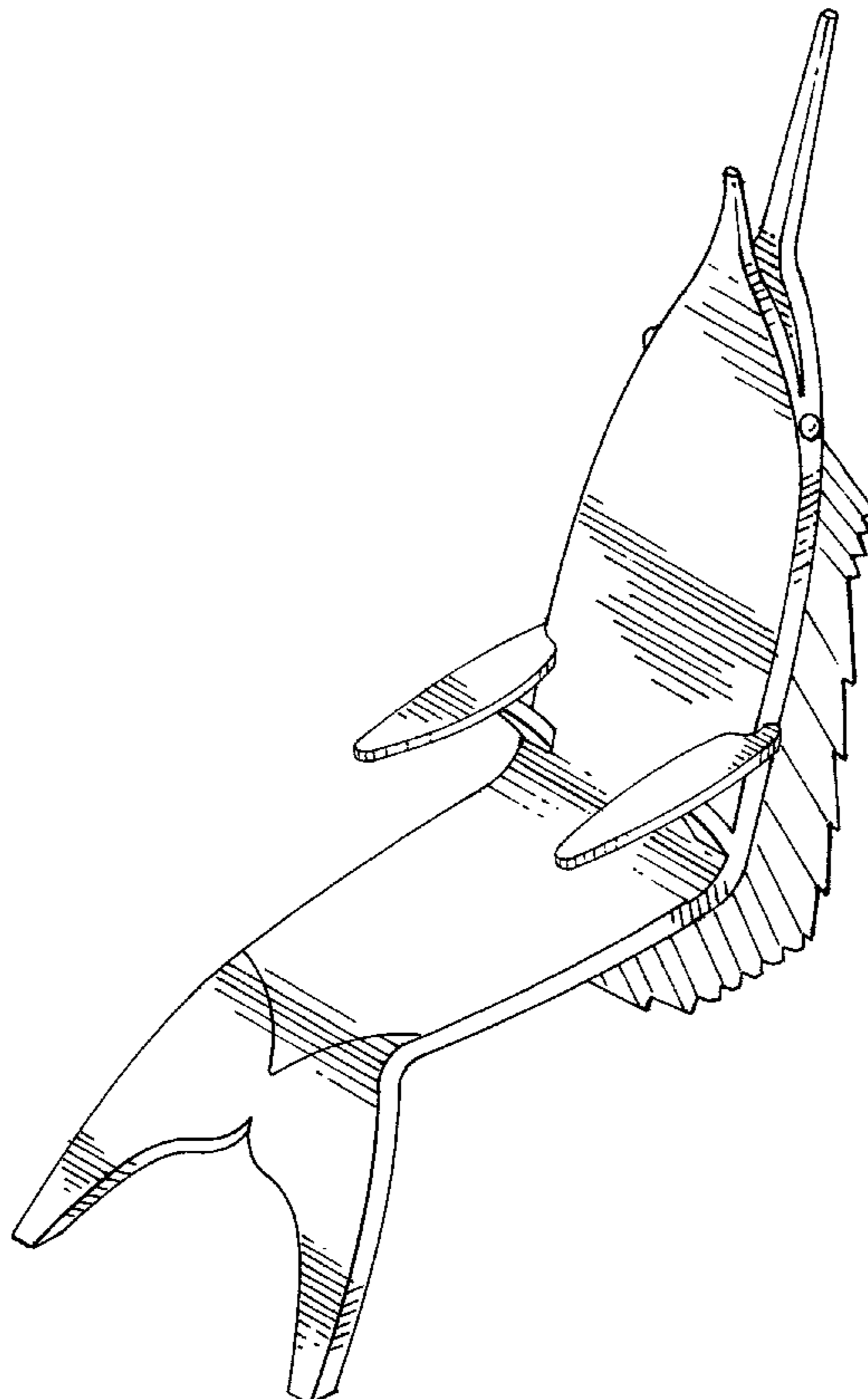
(57) **CLAIM**

The ornamental design for the chair having the appearance of a sailfish, as shown and described.

DESCRIPTION

FIG. 1 is a perspective view of the chair having the appearance of a sailfish of the invention;
 FIG. 2 is a side view of the chair having the appearance of a sailfish, it being understood that the opposite side is a mirror image thereof;
 FIG. 3 is a front view of the chair having the appearance of a sailfish;
 FIG. 4 is a rear view of the chair having the appearance of a sailfish;
 FIG. 5 is a top view of the chair having the appearance of a sailfish; and,
 FIG. 6 is a bottom view of the chair having the appearance of a sailfish.

1 Claim, 5 Drawing Sheets



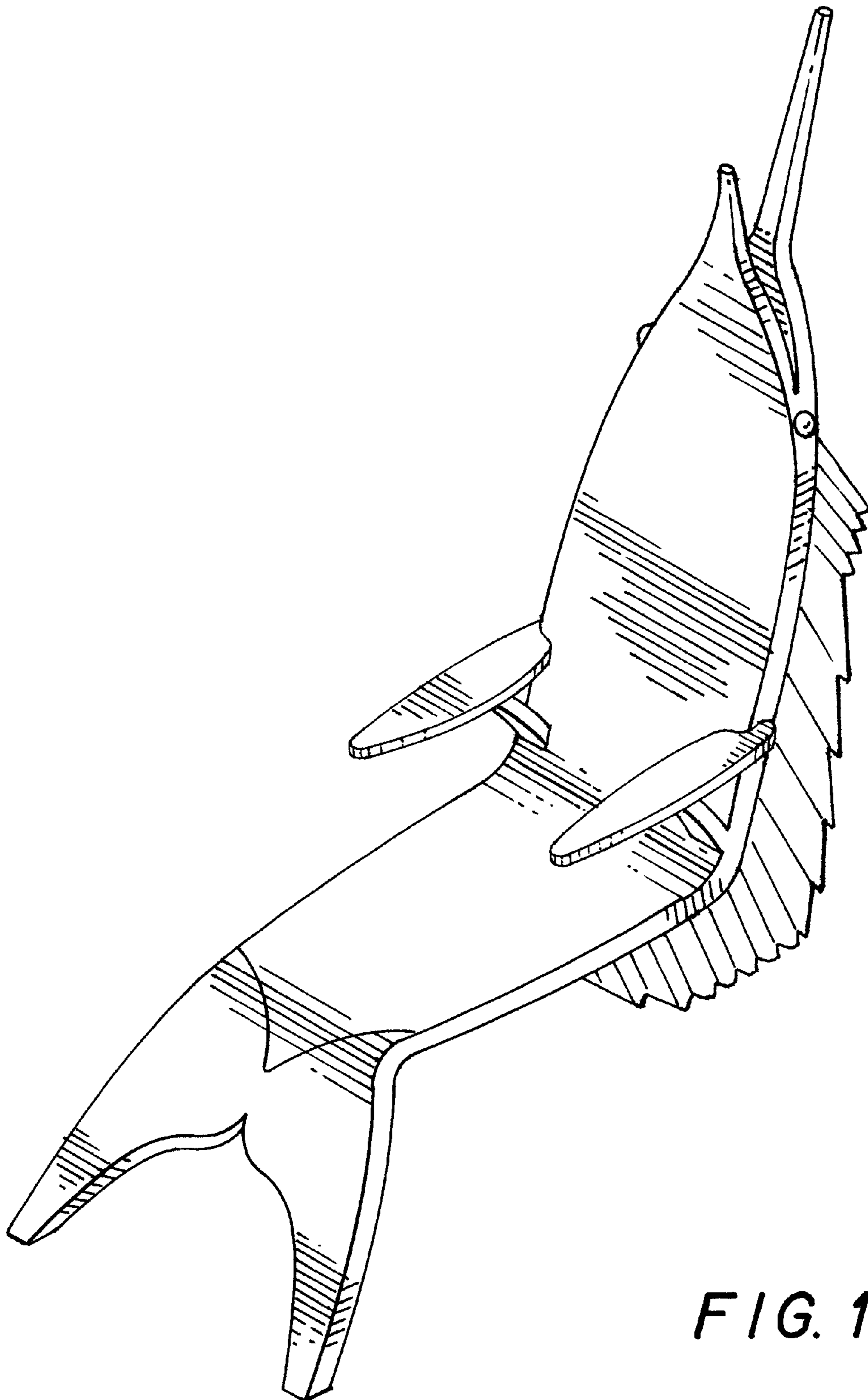


FIG. 1

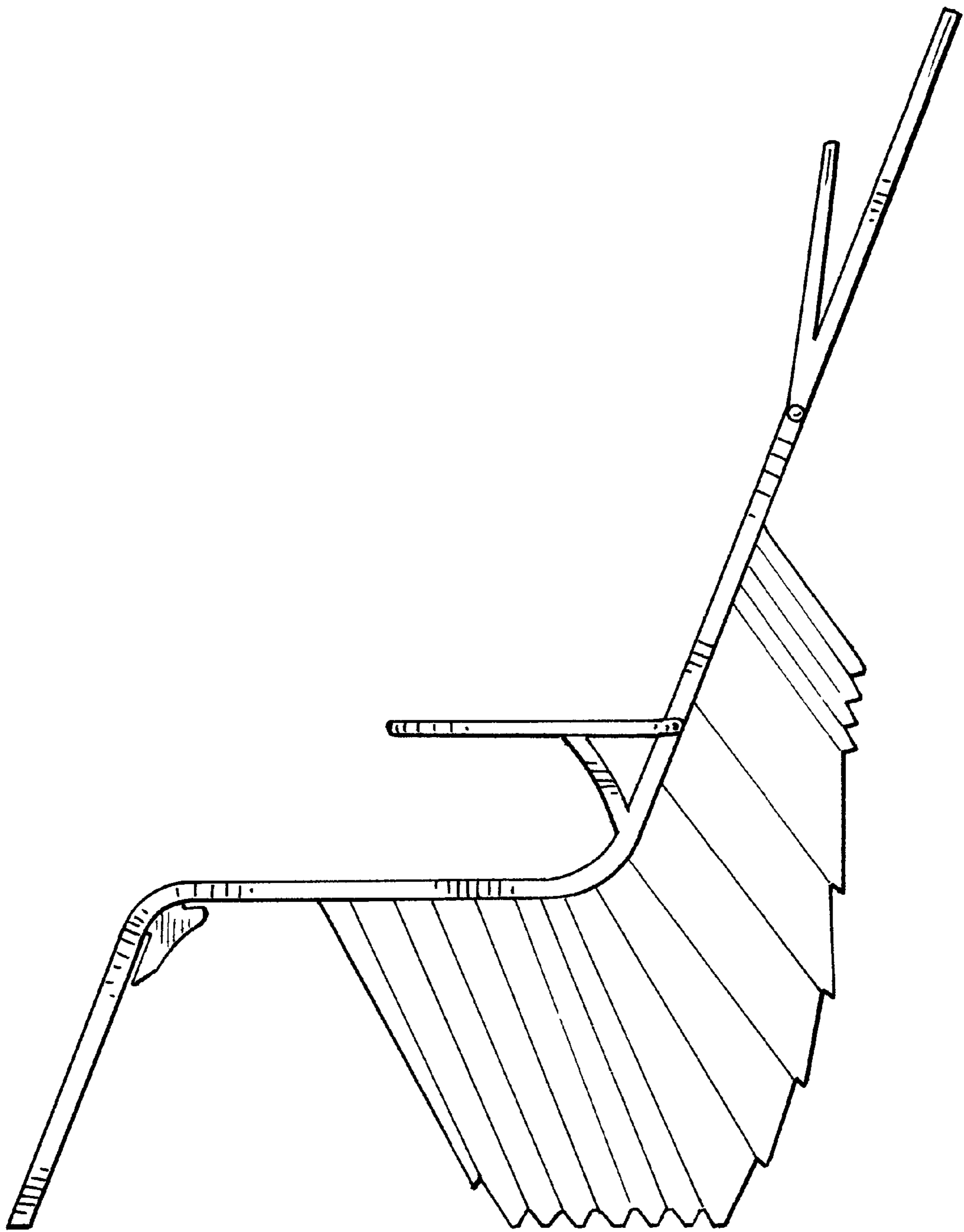


FIG. 2

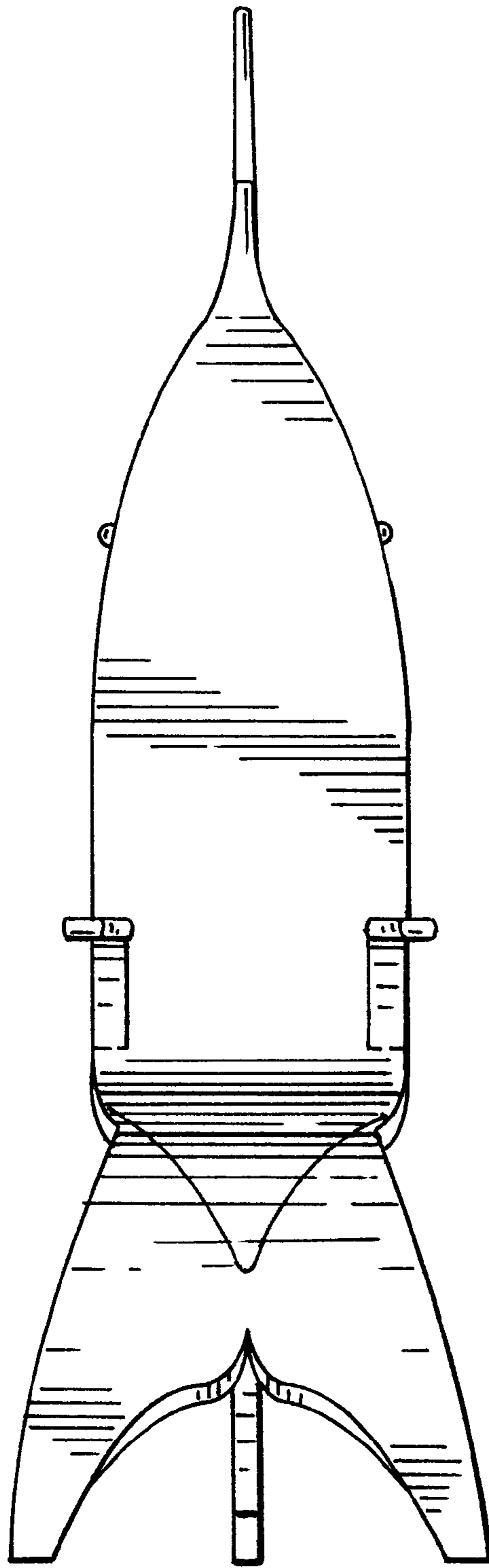


FIG. 3

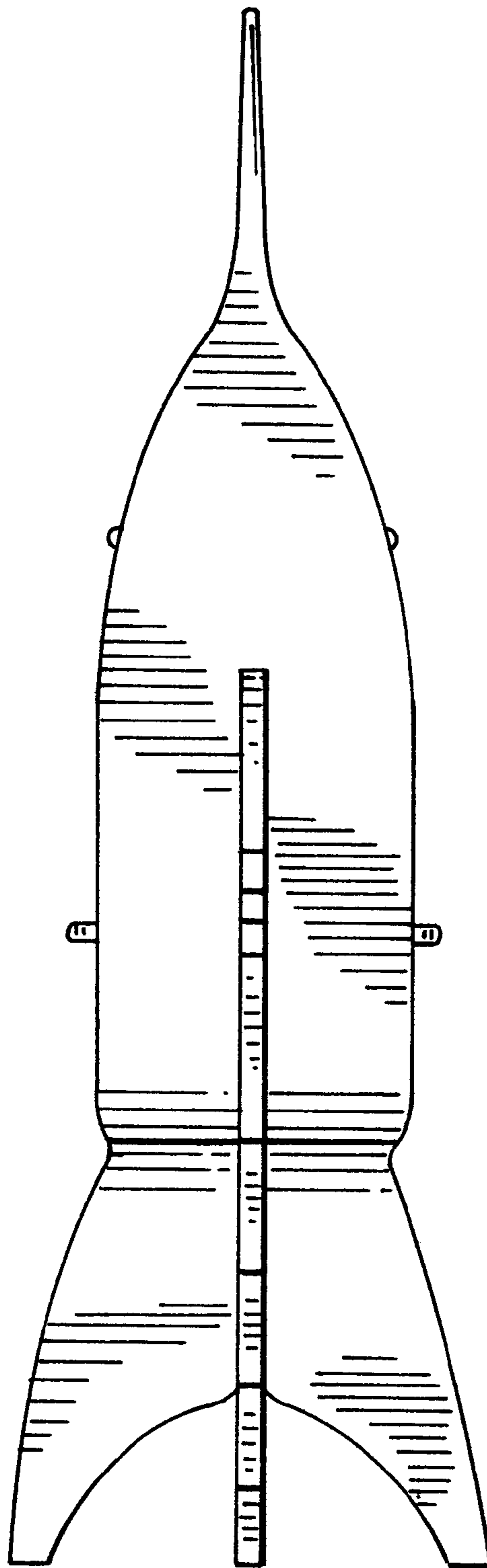


FIG. 4

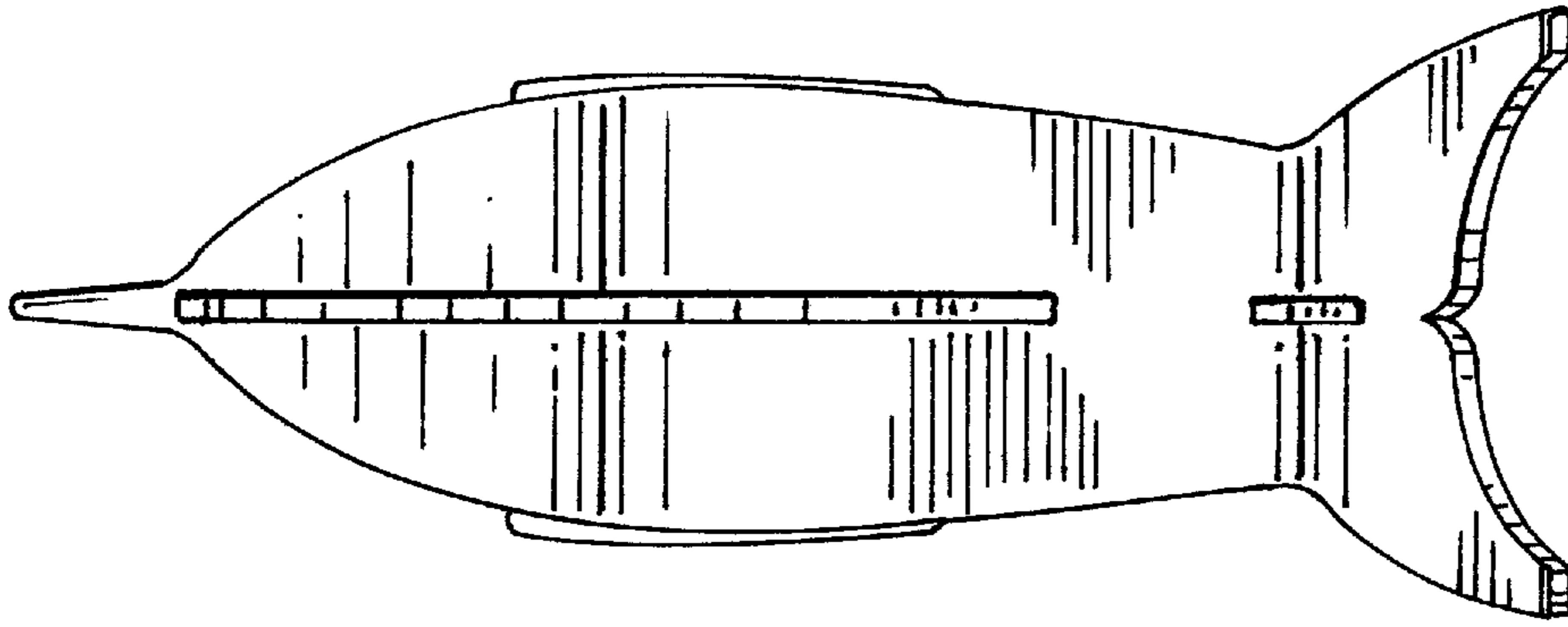


FIG. 6

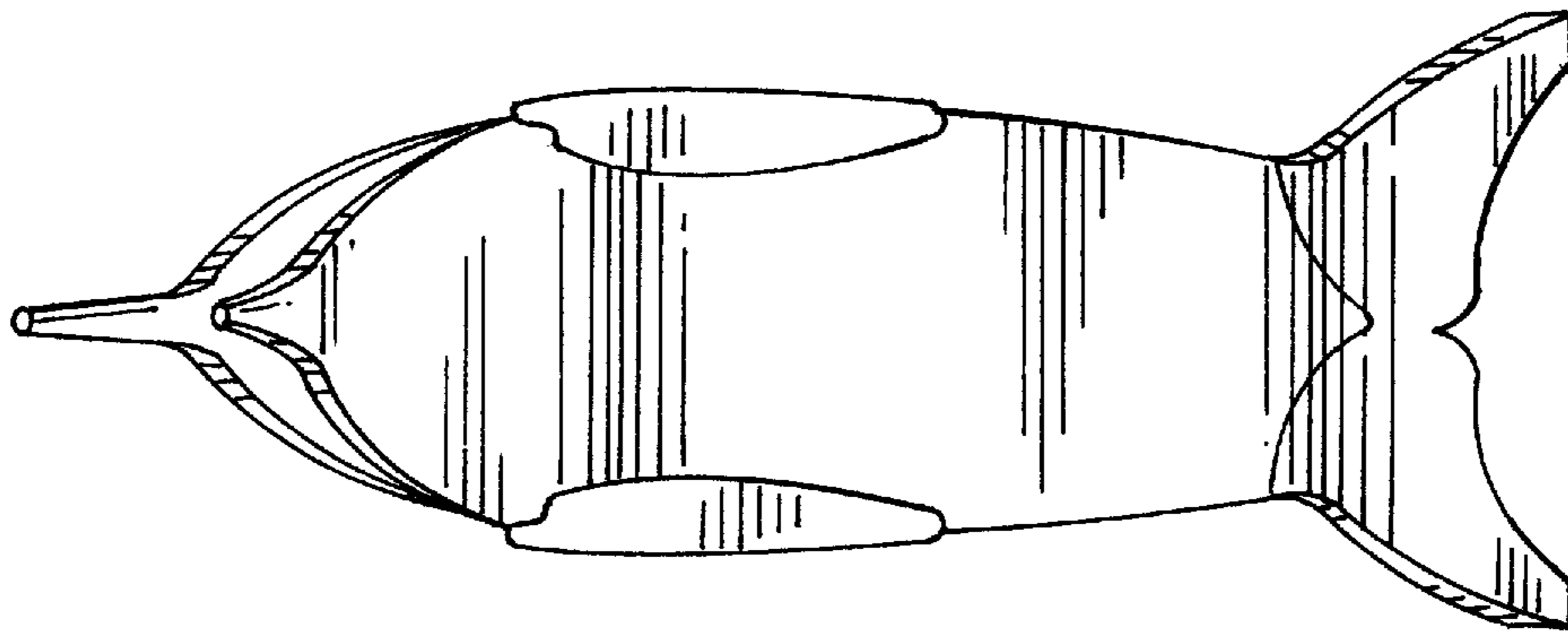


FIG. 5