



US00D440781S

(12) **United States Design Patent**
Watson

(10) **Patent No.:** **US D440,781 S**

(45) **Date of Patent:** **** Apr. 24, 2001**

(54) **CHAIR HAVING THE APPEARANCE OF A GREAT WHITE SHARK**

(76) Inventor: **Robert Watson**, 1521 NE. 17th Ave., Ft. Lauderdale, FL (US) 33304

(**) Term: **14 Years**

(21) Appl. No.: **29/121,284**

(22) Filed: **Apr. 4, 2000**

(51) **LOC (7) Cl.** **06-01**

(52) **U.S. Cl.** **D6/359**

(58) **Field of Search** D6/334, 335, 344, D6/345, 348, 351, 358, 359, 360, 361, 375, 379, 500-502; D12/129; D21/414, 415, 428, 521; 297/181

(56) **References Cited**

U.S. PATENT DOCUMENTS

D. 57,067	*	2/1921	Wood	D21/428
D. 154,517	*	7/1949	Strack	D6/345
D. 264,955	*	6/1982	Johnson	D12/129
D. 279,333	*	6/1985	Brown et al.	D6/335
D. 374,994	*	10/1996	Loader	D6/359

* cited by examiner

Primary Examiner—Doris V. Coles

Assistant Examiner—Mimosa De

(74) *Attorney, Agent, or Firm*—Tom Hamill, Jr.

(57) **CLAIM**

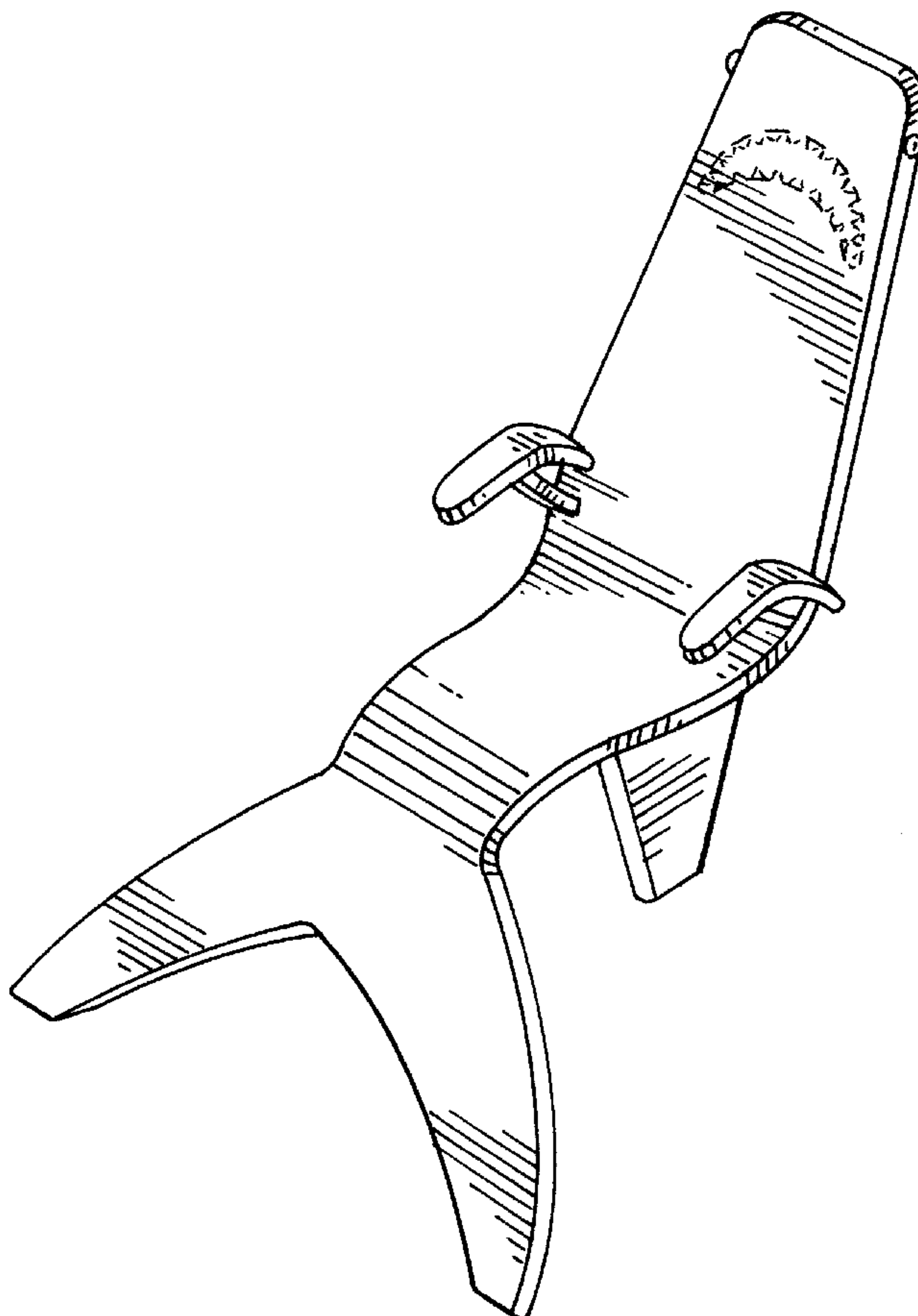
The ornamental design for the chair having the appearance of a Great White shark, as shown and described.

DESCRIPTION

FIG. 1 is a perspective view of the chair having the appearance of a Great White shark of the invention;
 FIG. 2 is a side view of the chair having the appearance of a Great White shark, it being understood that the opposite side is a mirror image thereof;
 FIG. 3 is a front view of the chair having the appearance of a Great White shark;
 FIG. 4 is a rear view of the chair having the appearance of a Great White shark;
 FIG. 5 is a top view of the chair having the appearance of a Great White shark; and,
 FIG. 6 is a bottom view of the chair having the appearance of a Great White shark.

The broken line showing of the mouth and teeth in FIG. 1 is for illustrative purposes only and forms no part of the claimed design.

1 Claim, 4 Drawing Sheets



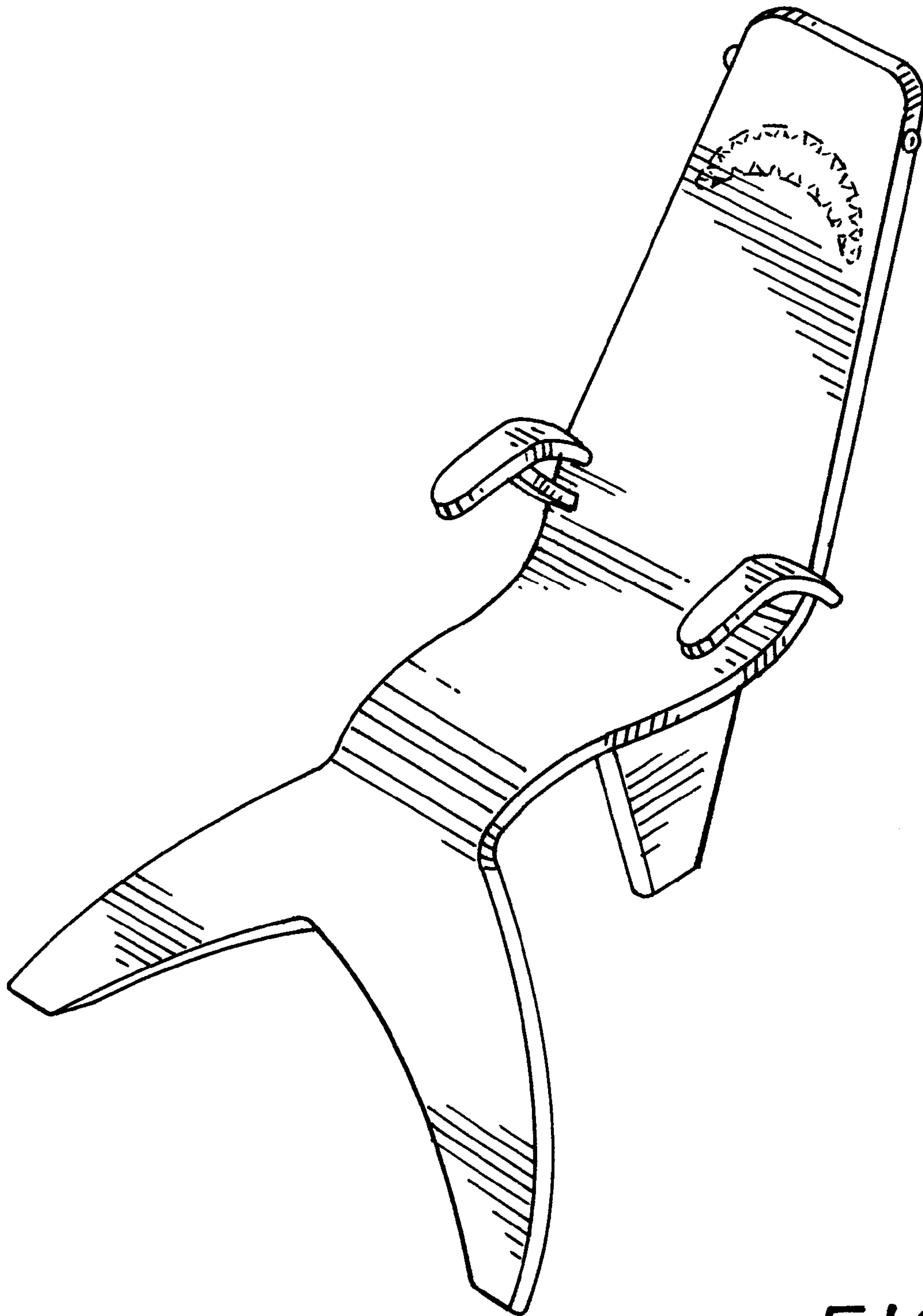


FIG. 1

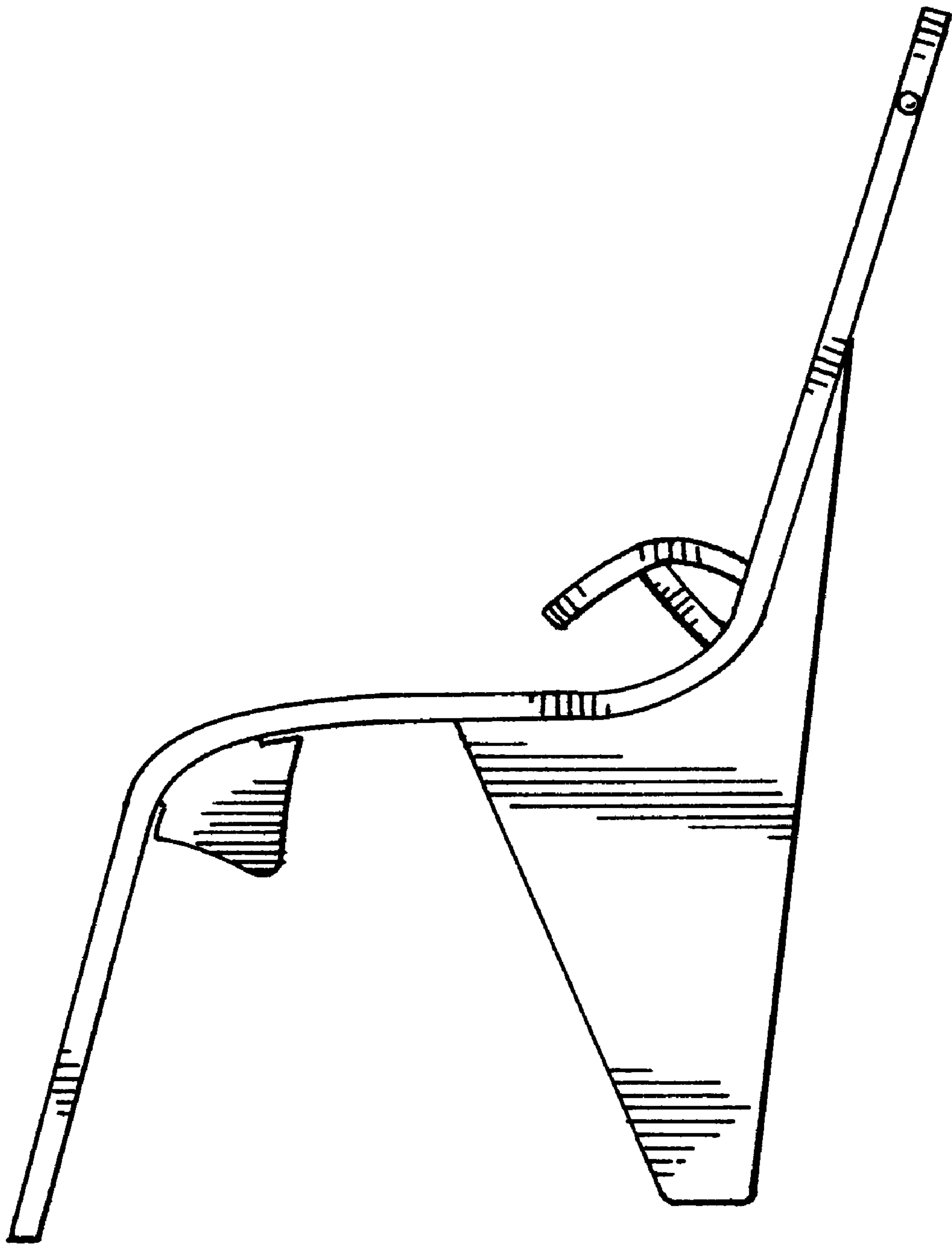


FIG. 2

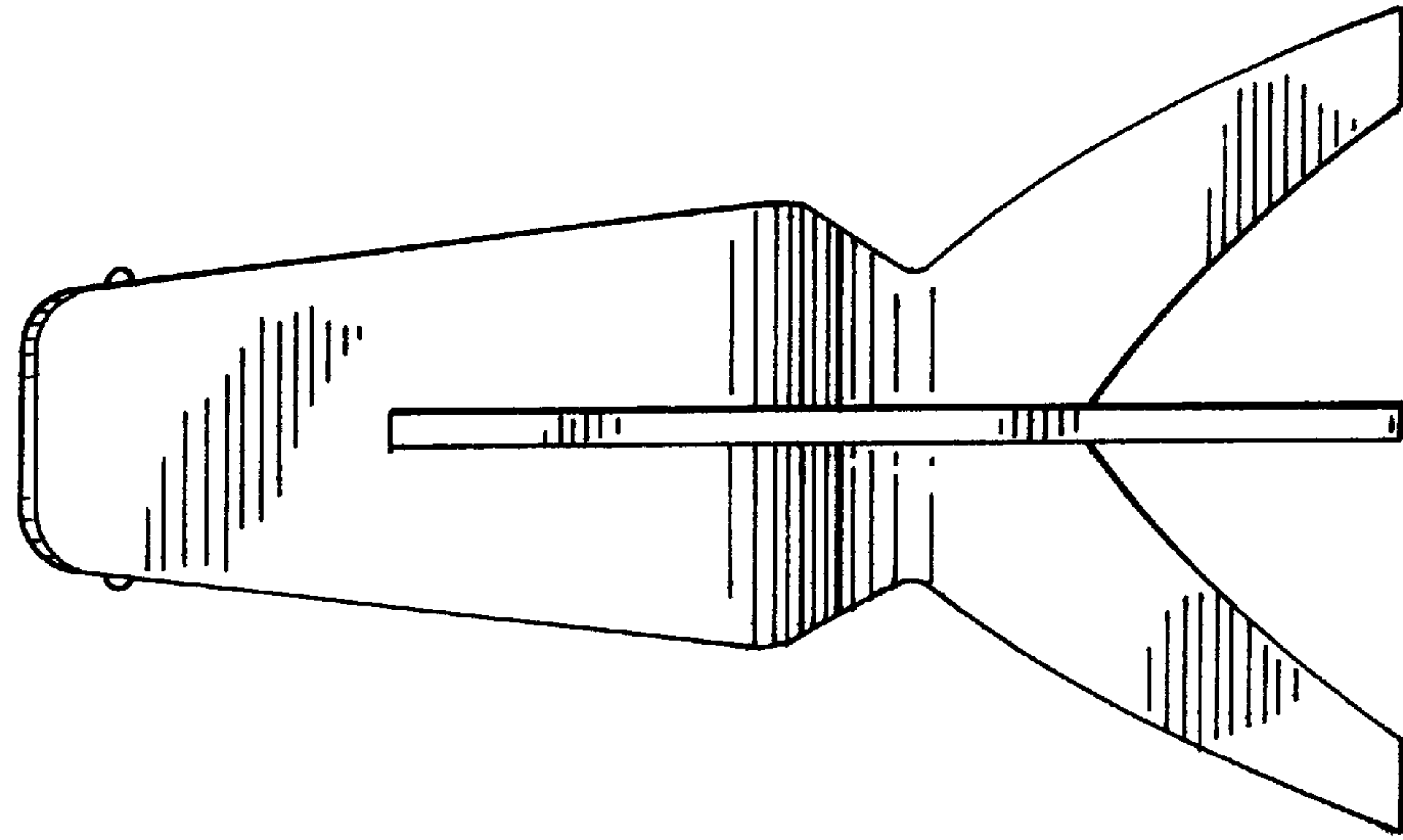


FIG. 4

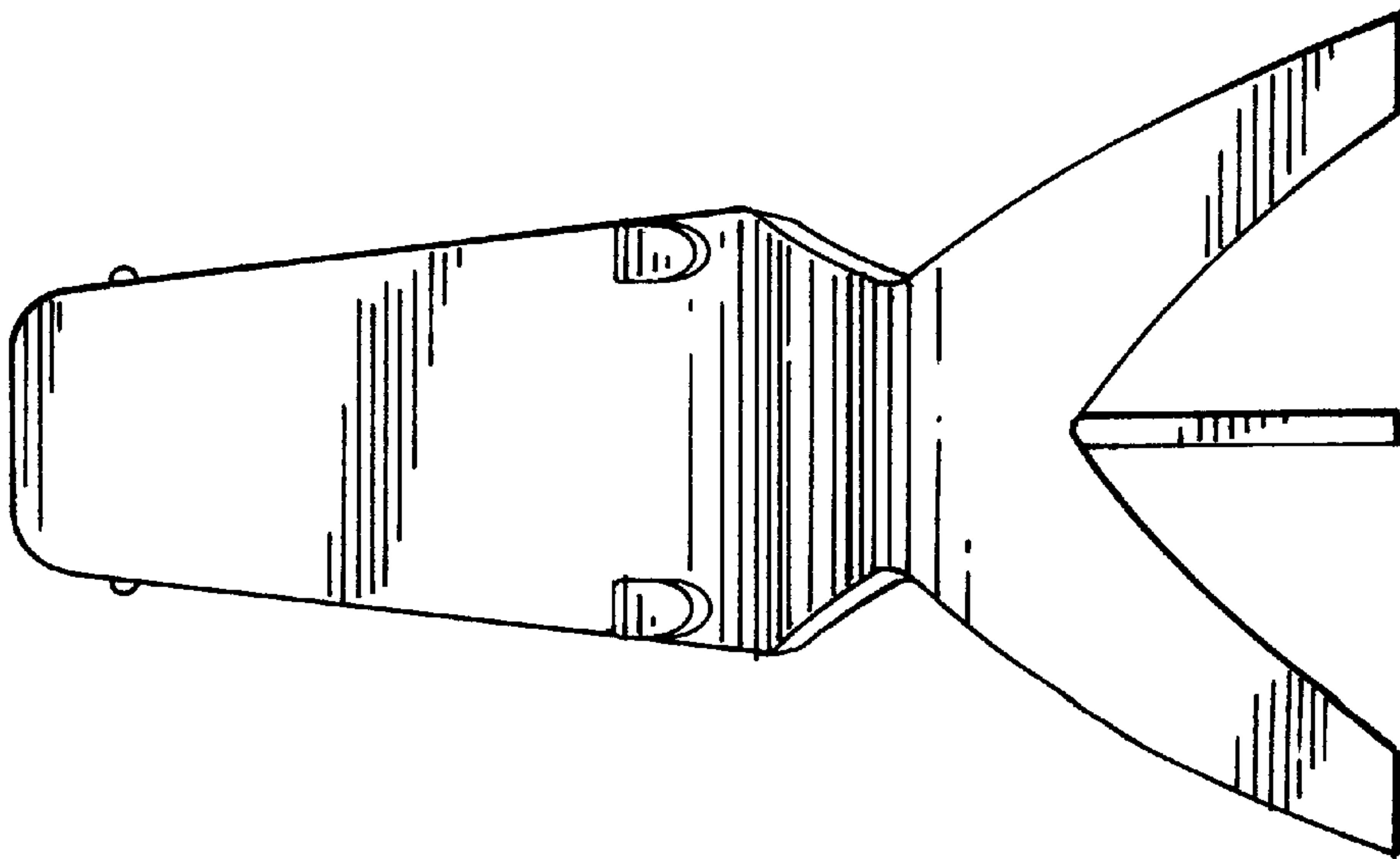


FIG. 3

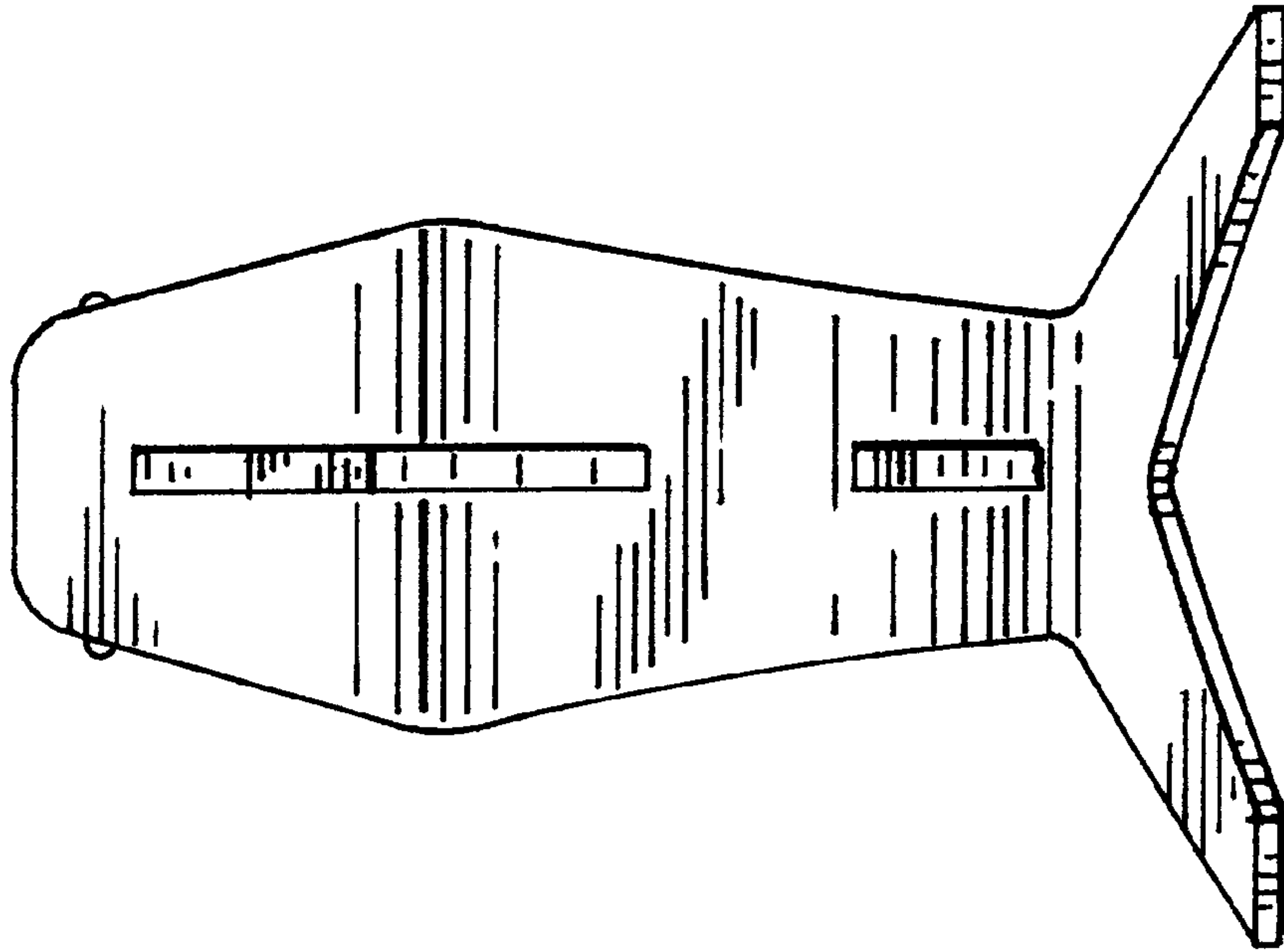


FIG. 6

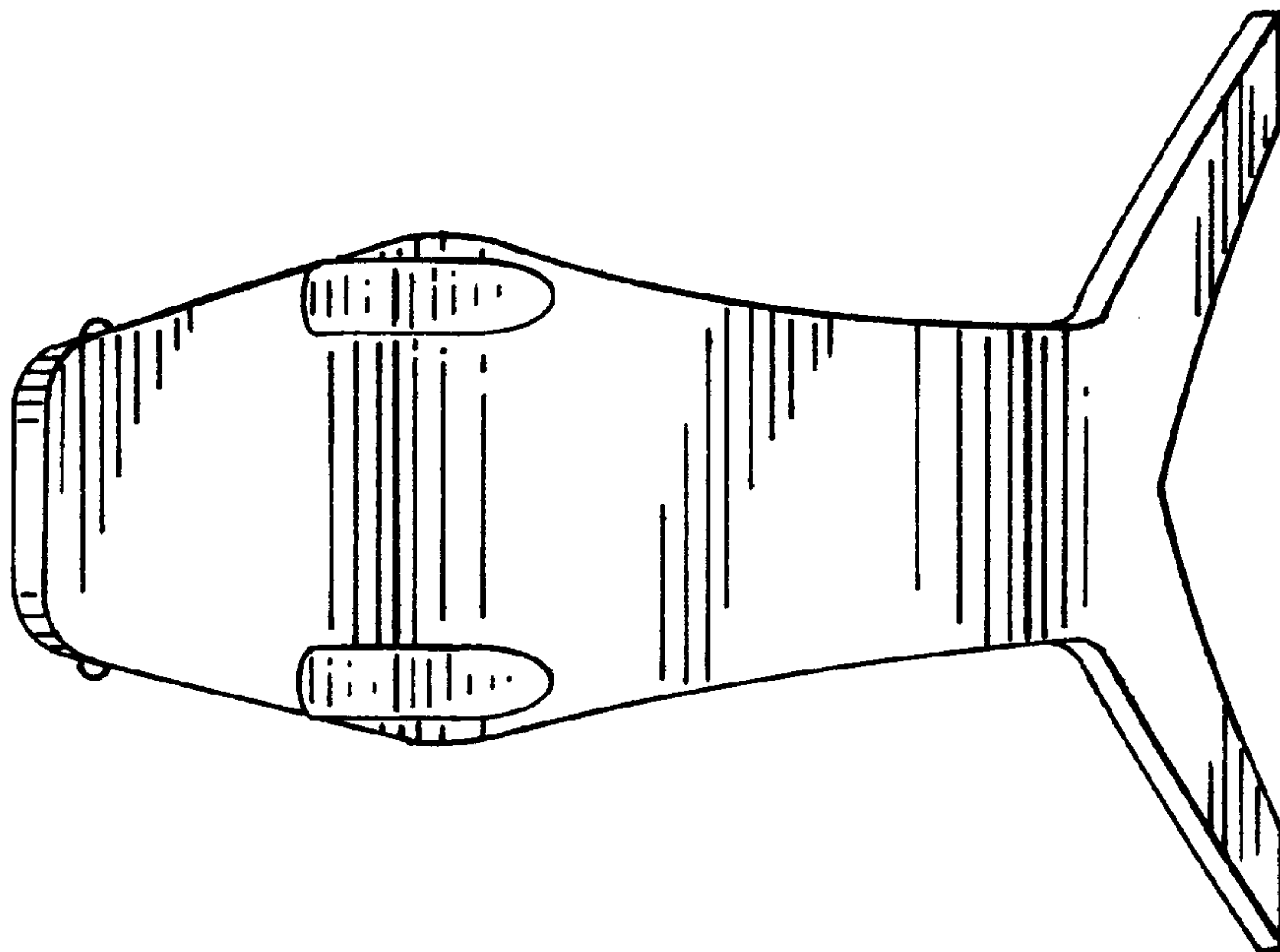


FIG. 5