



US00D440764S

(12) **United States Design Patent**
Cheng

(10) **Patent No.:** **US D440,764 S**

(45) **Date of Patent:** **** Apr. 24, 2001**

(54) **LUGGAGE CASE**

(75) Inventor: **Koon-Ming Cheng**, Taipei (TW)

(73) Assignee: **Ruey Yuan Co., Ltd.**, Taipei (TW)

(**) Term: **14 Years**

(21) Appl. No.: **29/126,335**

(22) Filed: **Jul. 11, 2000**

(51) **LOC (7) Cl.** **03-01**

(52) **U.S. Cl.** **D3/279; D3/276; D3/283**

(58) **Field of Search** **D3/273, 276, 279,**
D3/283, 284, 285, 287; 190/18 A, 100,
110, 111, 112, 113, 114, 115

(56) **References Cited**

U.S. PATENT DOCUMENTS

| | | | | | |
|------------|---|---------|---------------|-------|--------|
| D. 352,395 | * | 11/1994 | King | | D3/279 |
| D. 354,396 | * | 1/1995 | Lowenstein | | D3/279 |
| D. 357,808 | * | 5/1995 | Aumasson | | D3/276 |
| D. 358,031 | * | 5/1995 | Aumasson | | D3/276 |
| D. 364,504 | * | 11/1995 | Bieber et al. | | D3/279 |
| D. 374,987 | * | 10/1996 | Hughes | | D3/279 |

D. 385,699 * 11/1997 Lin D3/279

D. 389,308 * 1/1998 King et al. D3/279

D. 427,434 * 7/2000 King et al. D3/279

* cited by examiner

Primary Examiner—Philip S. Hyder

(74) *Attorney, Agent, or Firm*—Jenkins & Gilchrist, P.C.

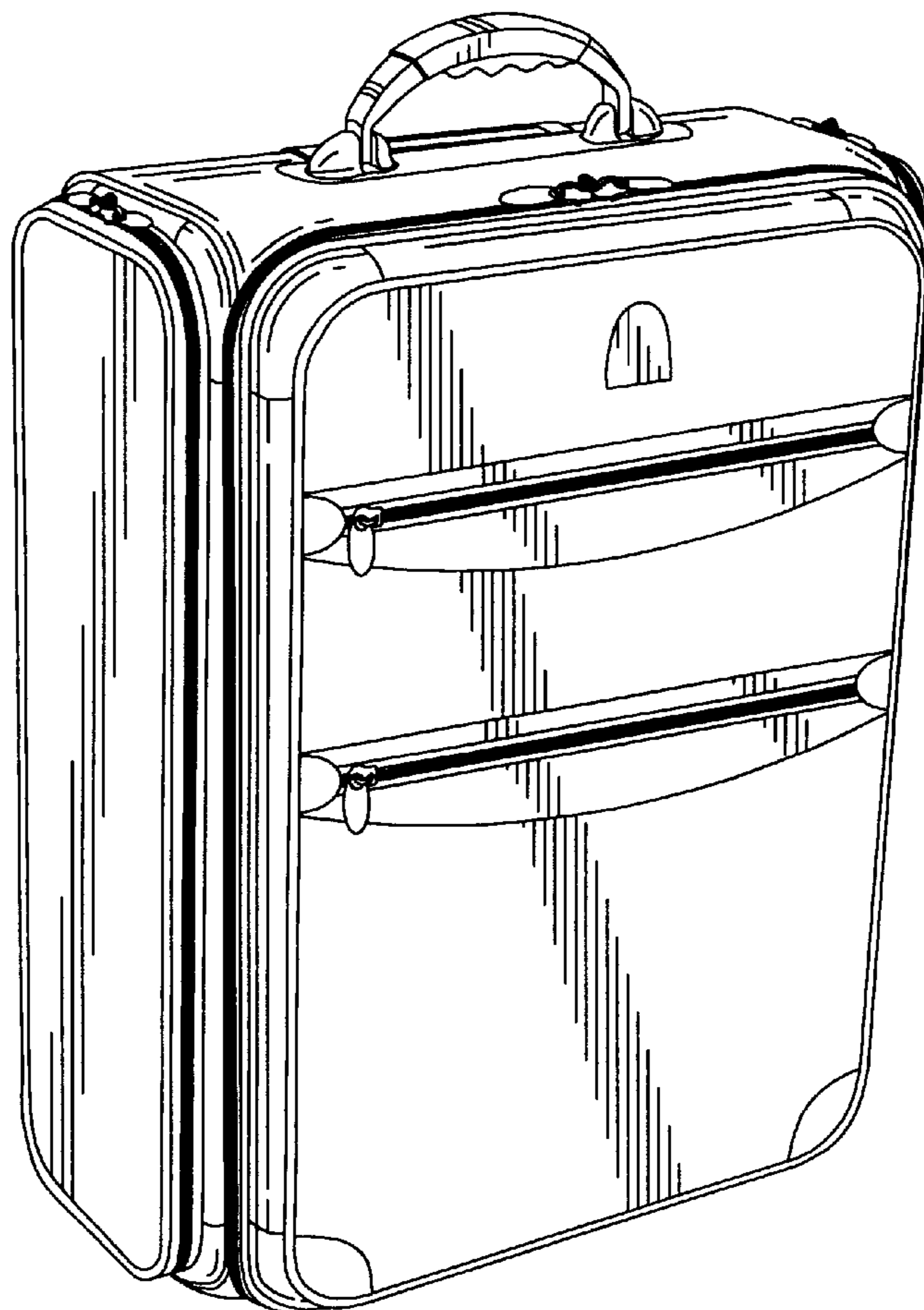
(57) **CLAIM**

The ornamental design for a luggage case, as shown and described.

DESCRIPTION

FIG. 1 is a perspective view of a luggage case showing my new design;
 FIG. 2 is a front elevational view thereof;
 FIG. 3 is a rear elevational view thereof;
 FIG. 4 is a left side elevational view thereof;
 FIG. 5 is a right side elevational view thereof;
 FIG. 6 is a top plan view thereof; and
 FIG. 7 is a bottom plan view thereof; and,
 FIG. 8 is a perspective view thereof, wherein the handle is shown in an extended position.

1 Claim, 4 Drawing Sheets



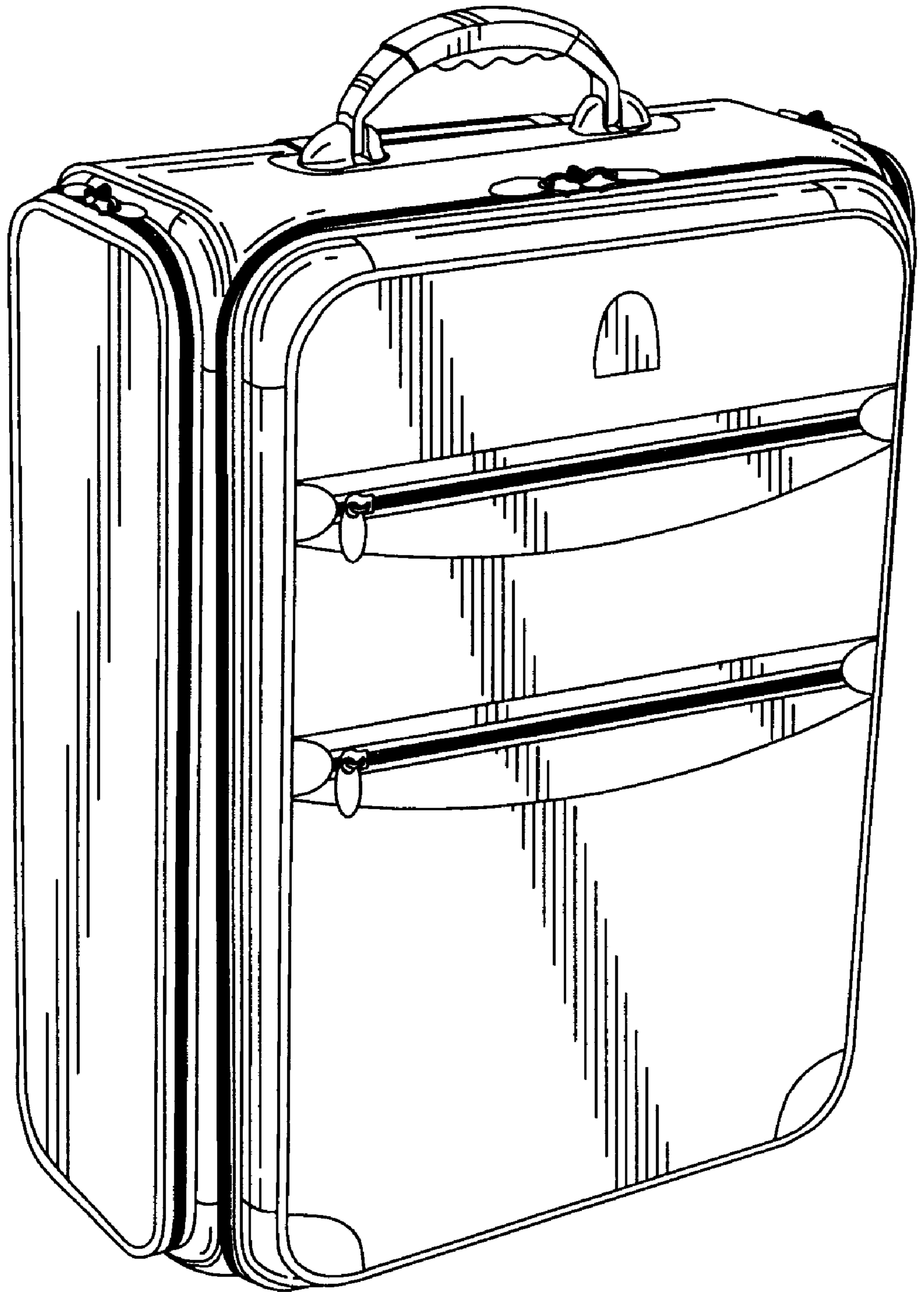


FIG. 1

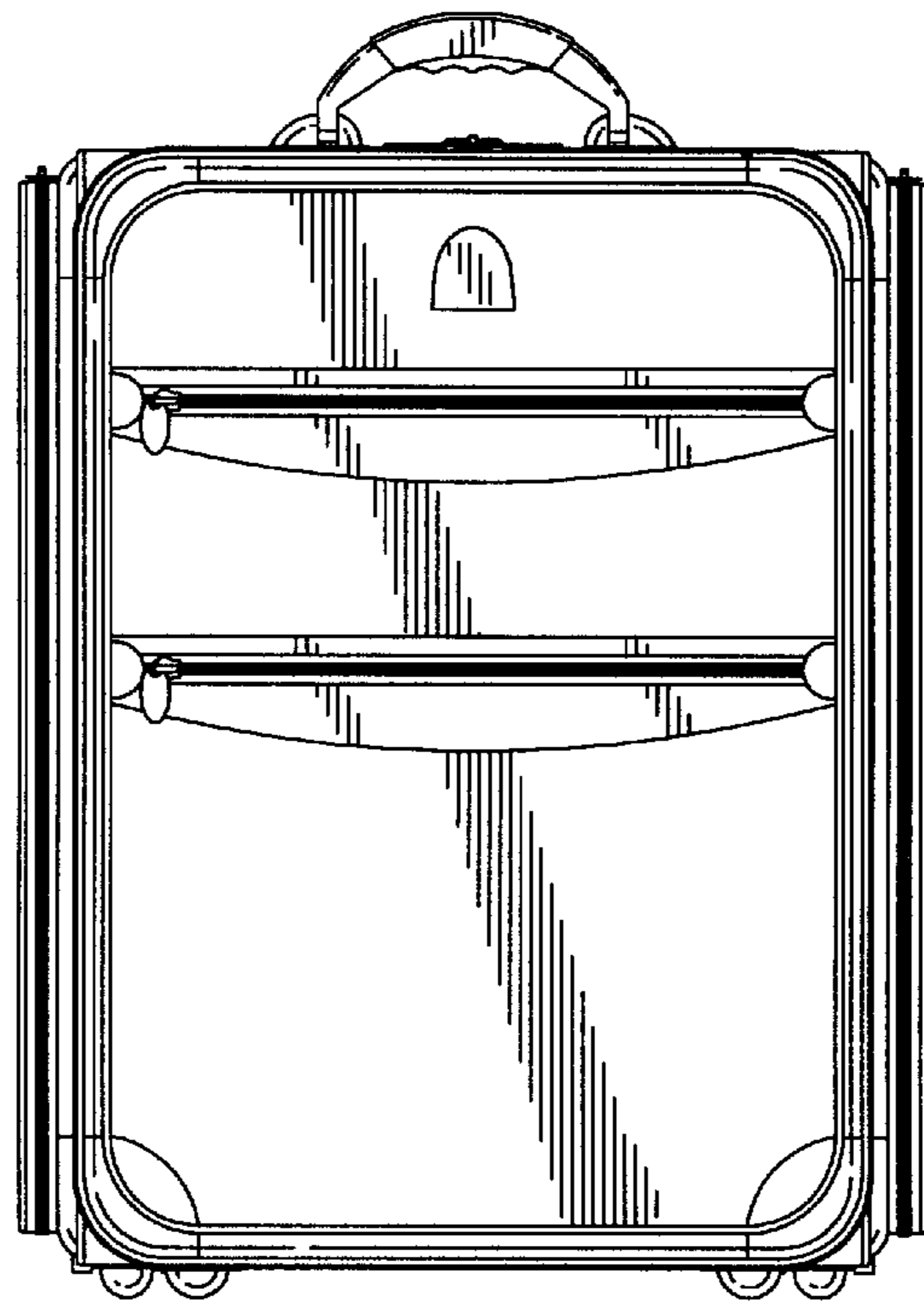


FIG. 2

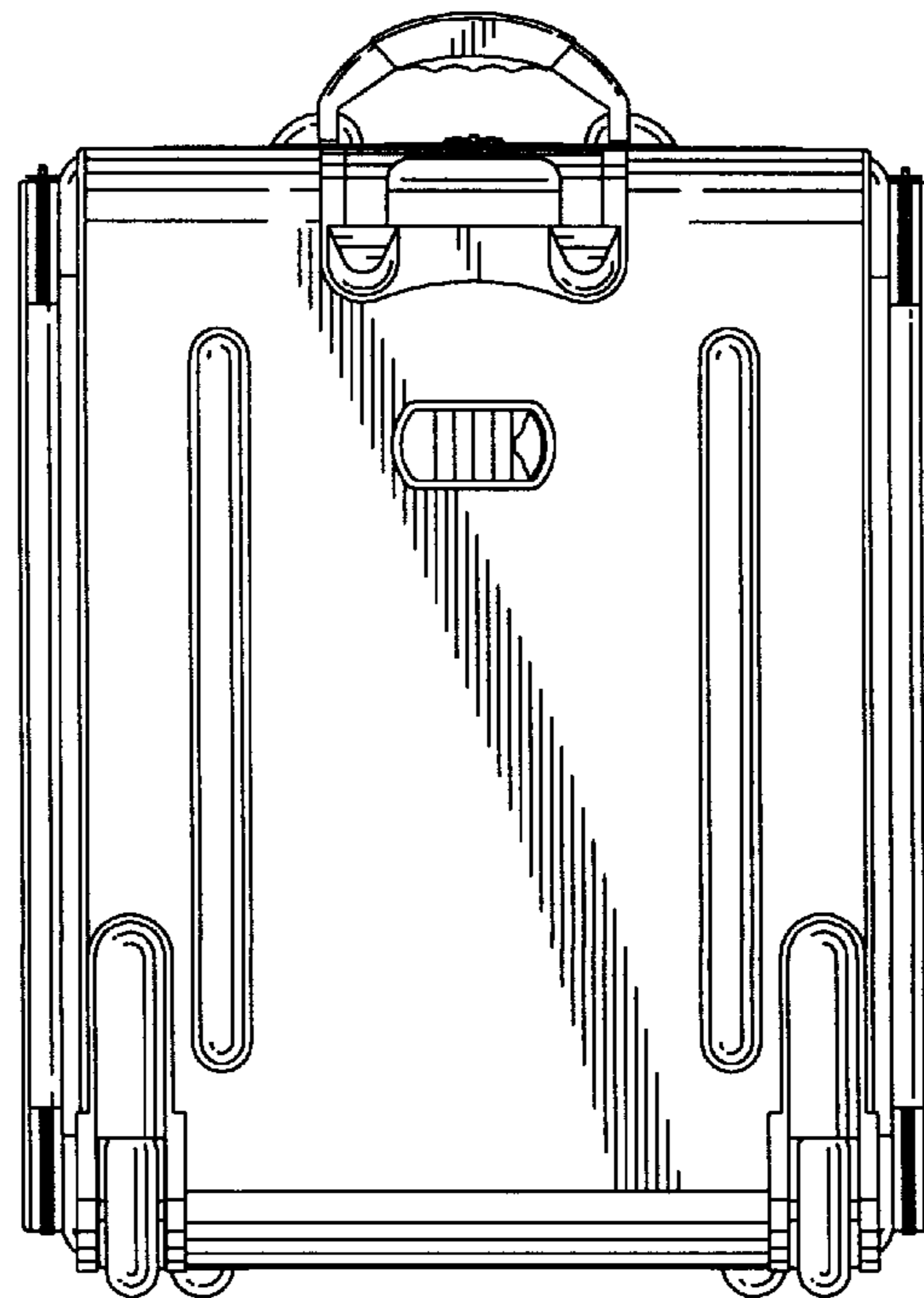


FIG. 3

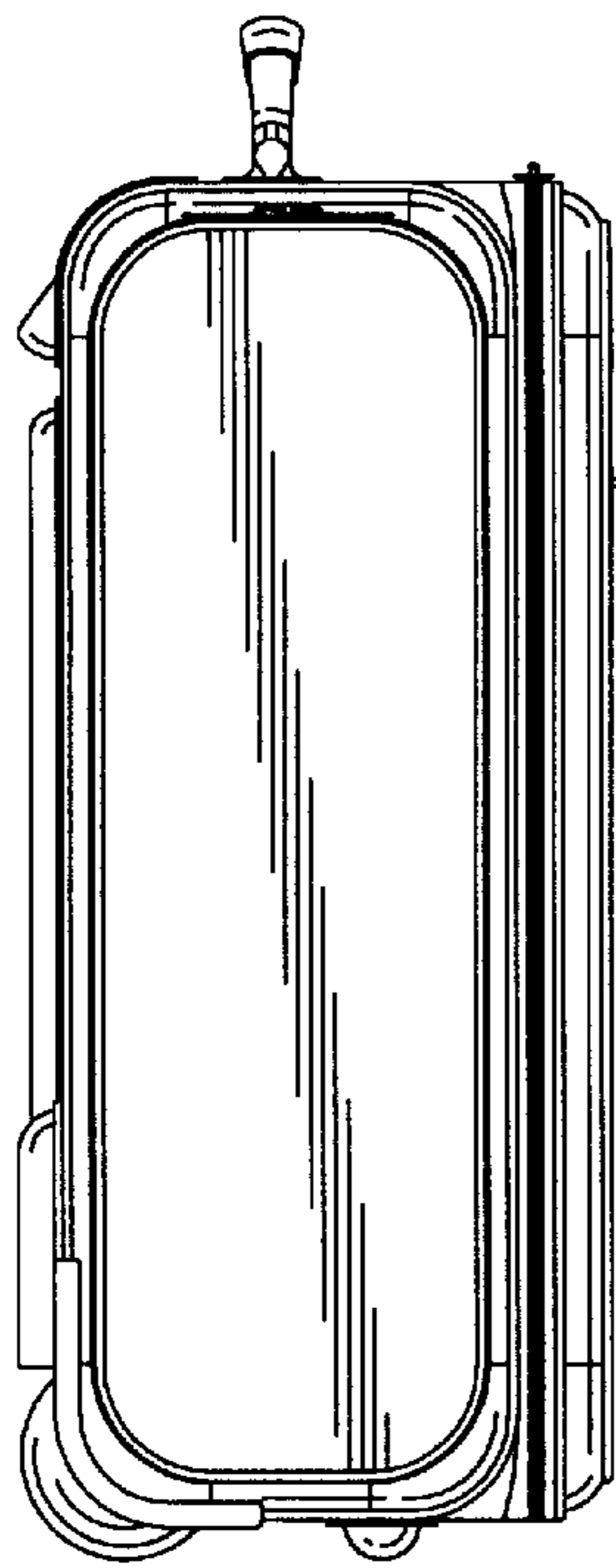


FIG. 4

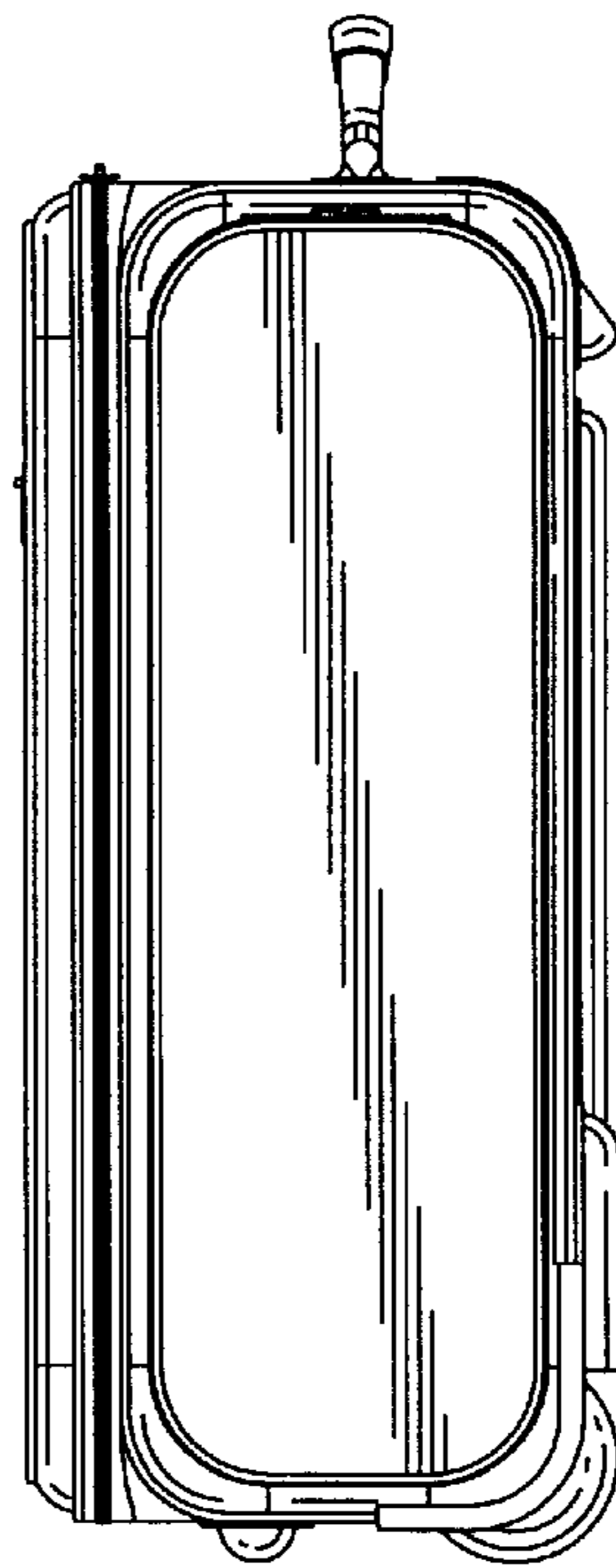


FIG. 5

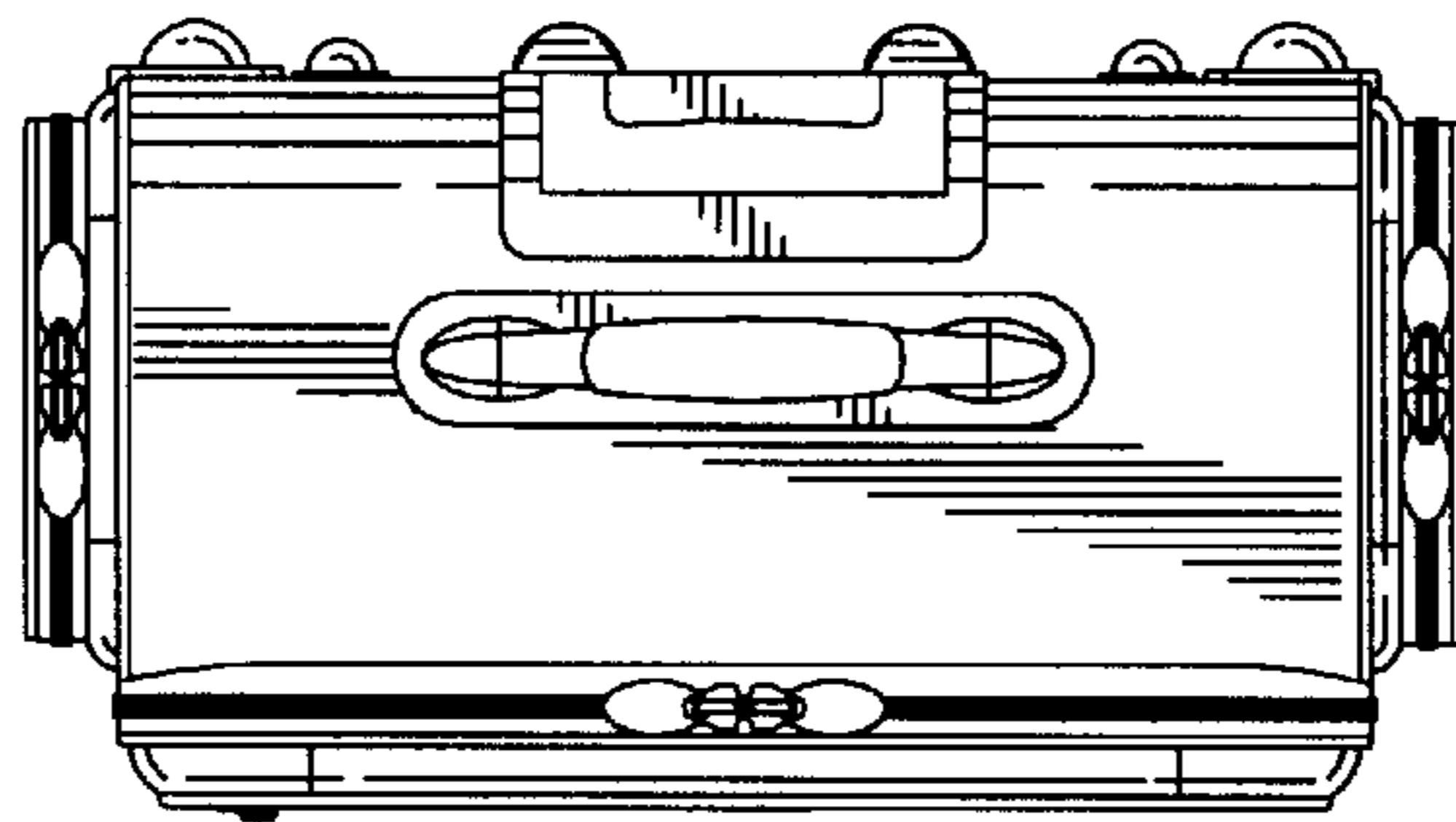


FIG. 6

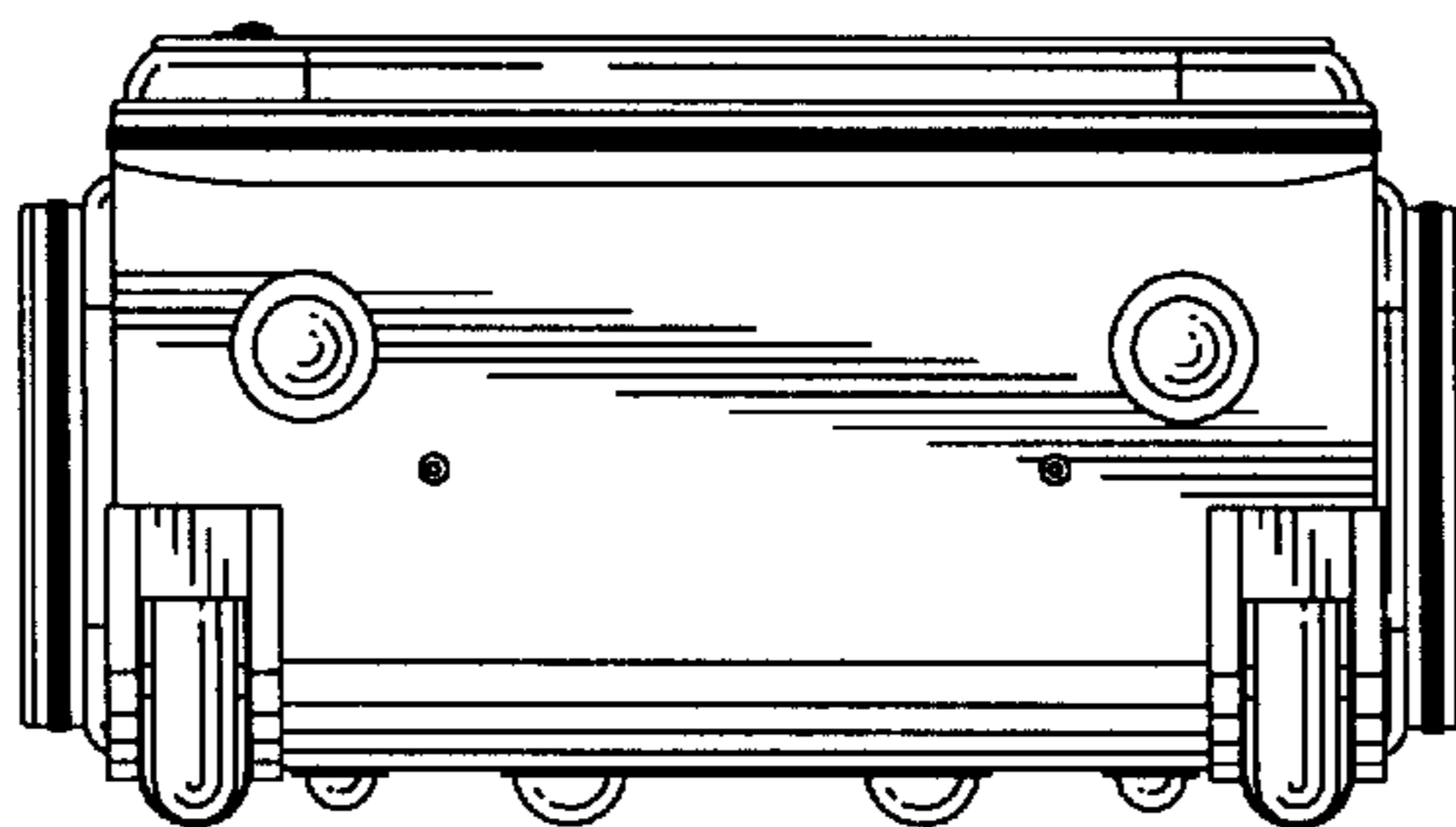


FIG. 7



FIG. 8