



US00D440763S

(12) **United States Design Patent**  
**Hicks**

(10) **Patent No.:** **US D440,763 S**

(45) **Date of Patent:** **\*\* Apr. 24, 2001**

(54) **LIGHTED EYEGLASSES STAND**

(76) Inventor: **John Pat Hicks**, 10450 Yorkford Dr.,  
Dallas, TX (US) 75238

(\*\*) Term: **14 Years**

(21) Appl. No.: **29/111,134**

(22) Filed: **Sep. 21, 1999**

(51) **LOC (7) Cl.** ..... **03-01**

(52) **U.S. Cl.** ..... **D3/266; D3/263; D3/265**

(58) **Field of Search** ..... **D3/208, 211, 237,**  
**D3/263, 265, 266; D6/467, 471, 483, 485,**  
**573; D16/330, 339; 206/5, 6; 219/521;**  
**248/309.1, 902; 362/253, 257**

(56) **References Cited**

**U.S. PATENT DOCUMENTS**

D. 123,350	*	10/1940	Gribben	.....	D6/467
D. 223,784	*	6/1972	Rios	.....	D6/573
D. 251,596	*	4/1979	Priestley, Jr.	.....	D3/266
3,564,202	*	2/1971	Oppenheim	.....	219/400
3,614,959	*	10/1971	Schollmaier et al.	.....	134/47
4,584,633		4/1986	Comfort	.....	362/253
4,758,285	*	7/1988	Hodgson et al.	.....	148/563
5,286,951	*	2/1994	Jones	.....	219/521

5,979,849 \* 11/1999 Williams ..... 248/309.1

\* cited by examiner

*Primary Examiner*—Celia Murphy

(74) *Attorney, Agent, or Firm*—Guy V. Manning

(57) **CLAIM**

The ornamental design for a lighted eyeglasses stand, as shown and described.

**DESCRIPTION**

FIG. 1 is a perspective view of a lighted eyeglasses stand showing my new design, the eyeglasses shown in broken lines;

FIG. 2 is a bottom plan view of the stand shown in FIG. 1;

FIG. 3 is a top plan view of the stand of FIG. 1;

FIG. 4 is a front elevational view of the stand of FIG. 1;

FIG. 5 is a rear elevational view of the stand of FIG. 1;

FIG. 6 is a left side elevational view of the stand of FIG. 1; and,

FIG. 7 is a right side elevational view of the stand of FIG. 1.

The broken lines showing eyeglasses in FIG. 1 illustrate the use of the invention, and form no part of the claimed design.

**1 Claim, 2 Drawing Sheets**

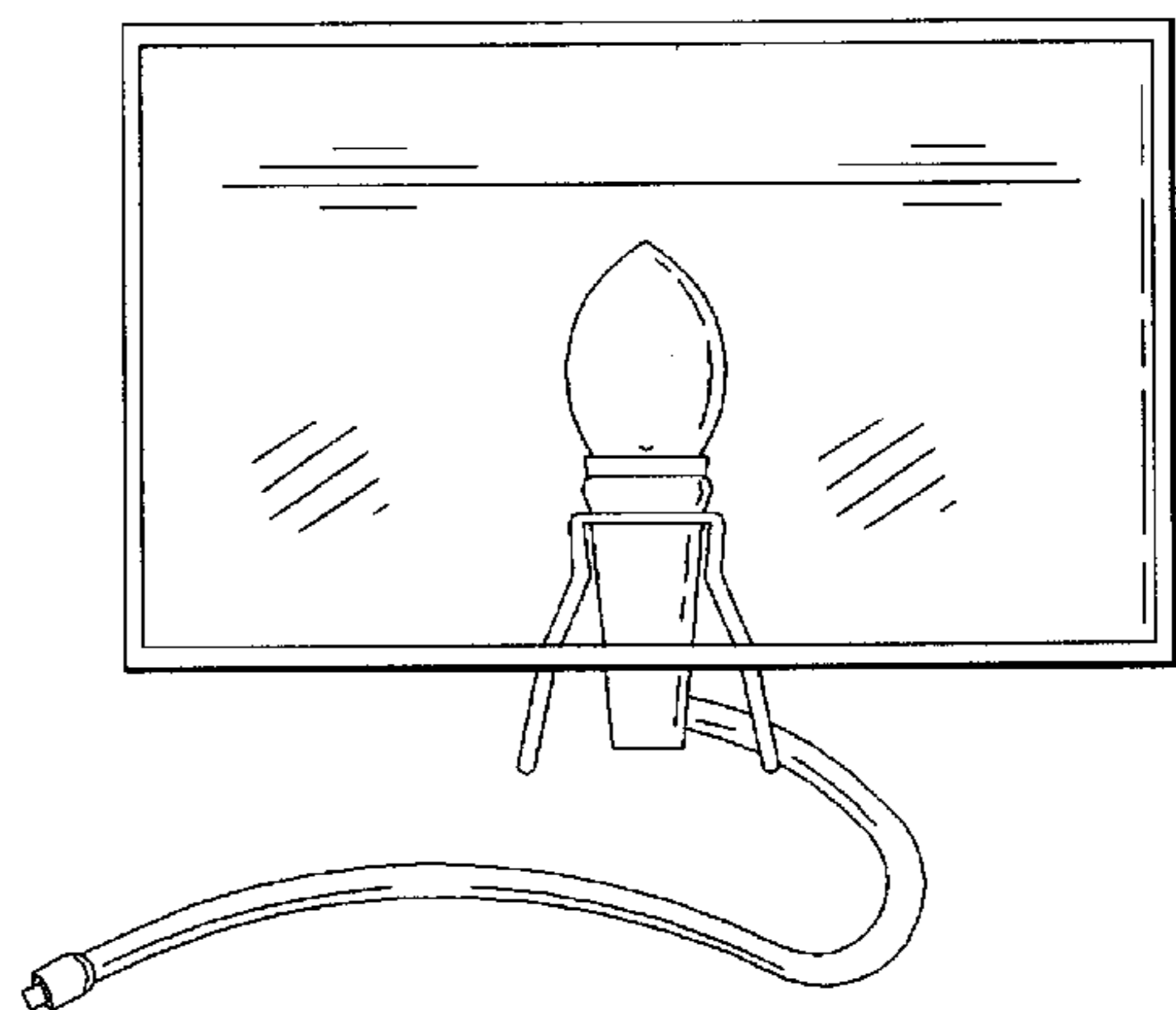
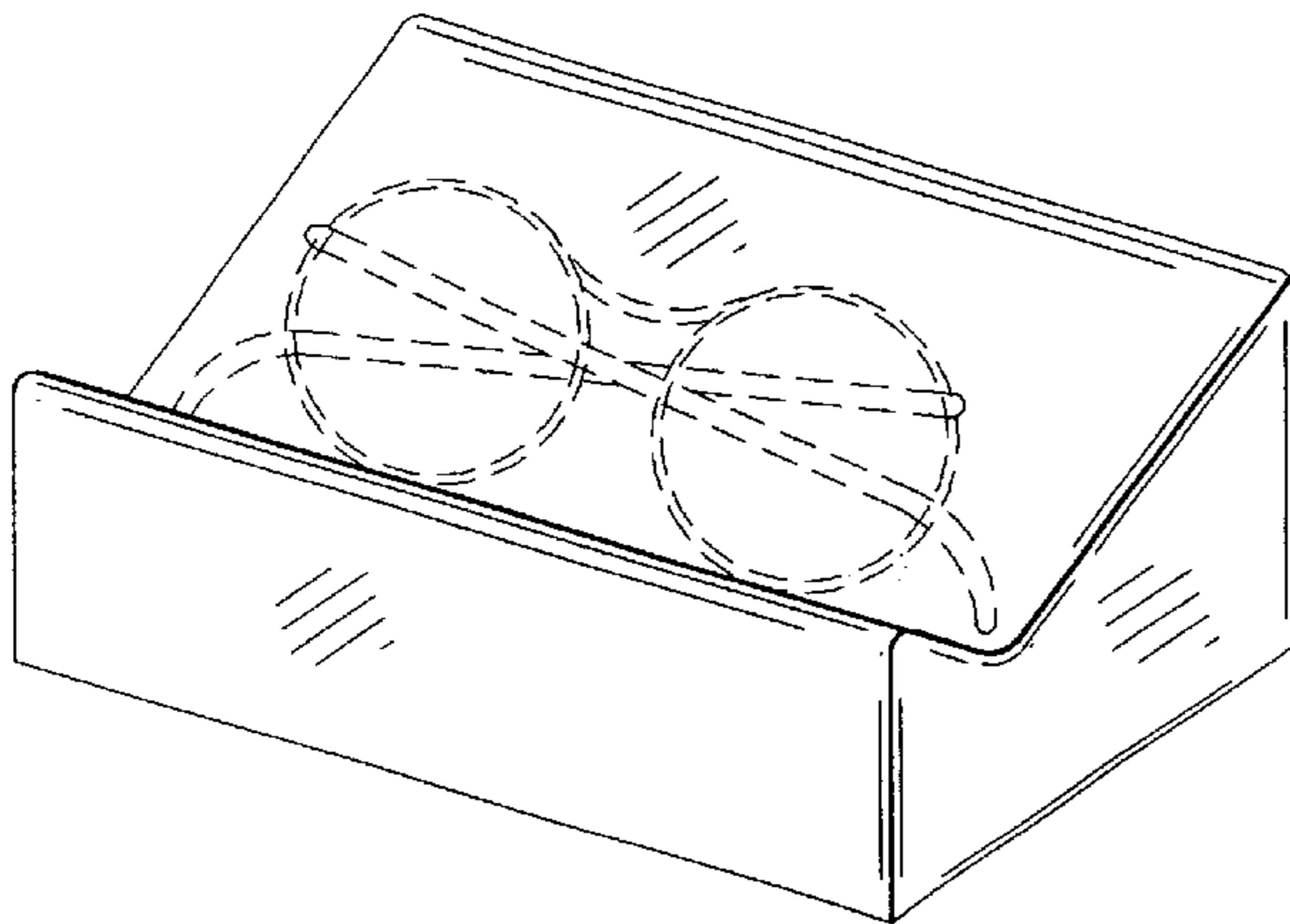


Fig. 2

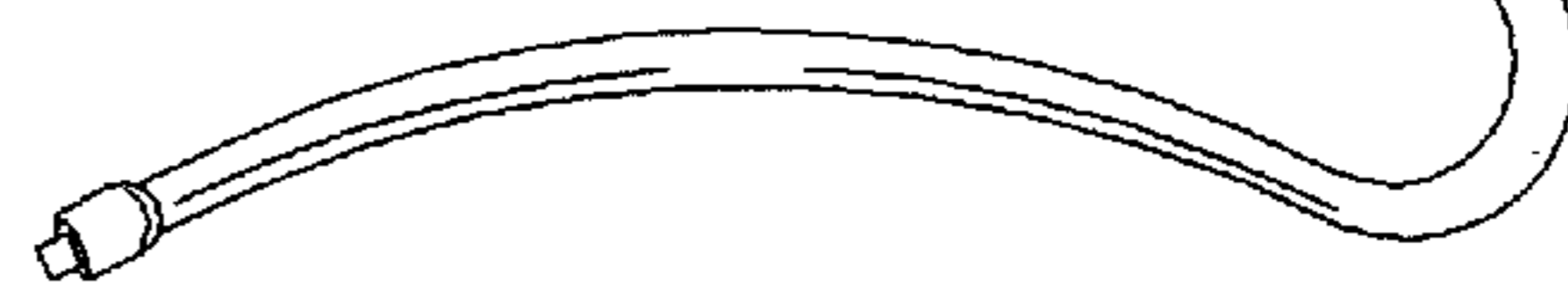
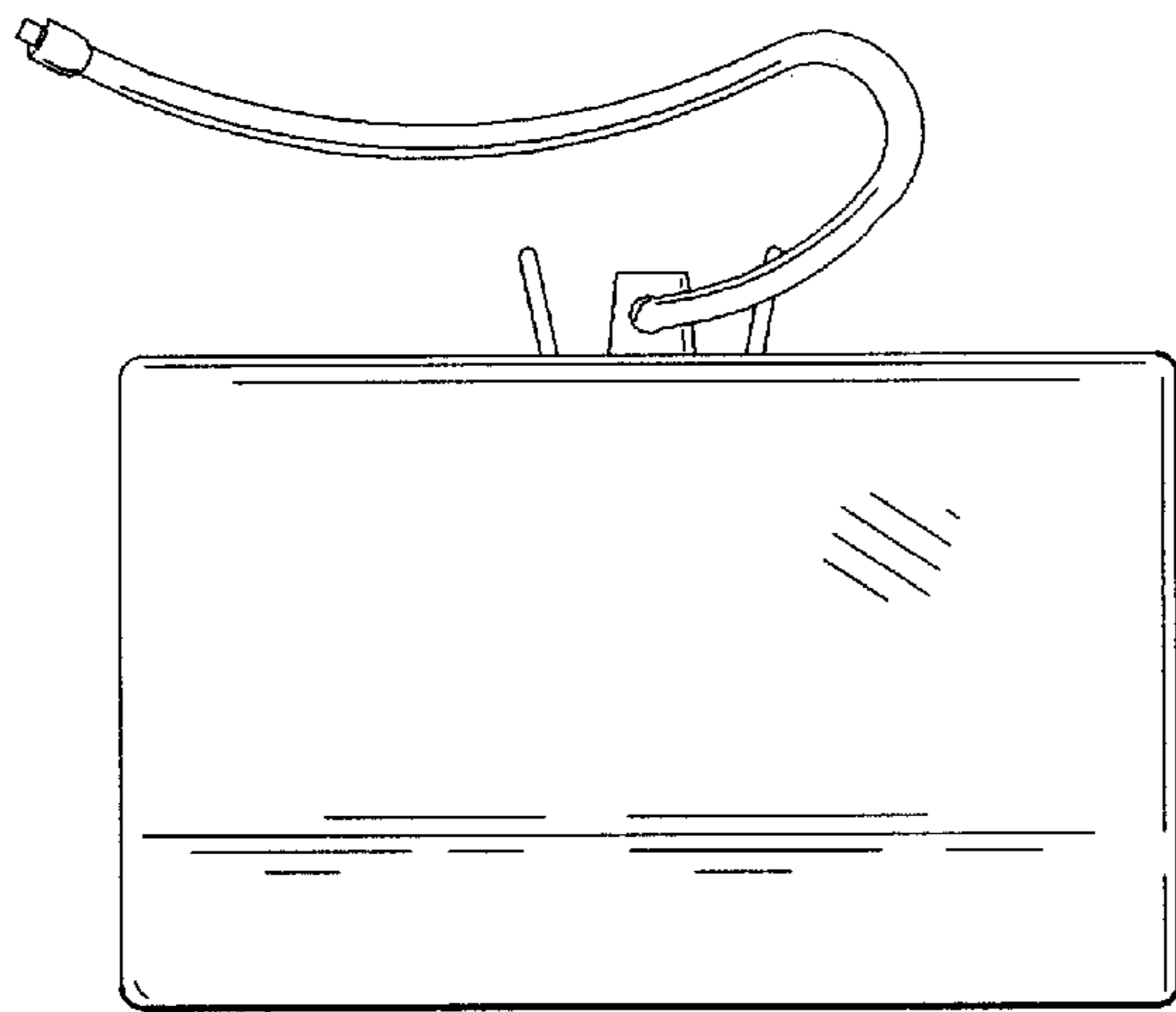
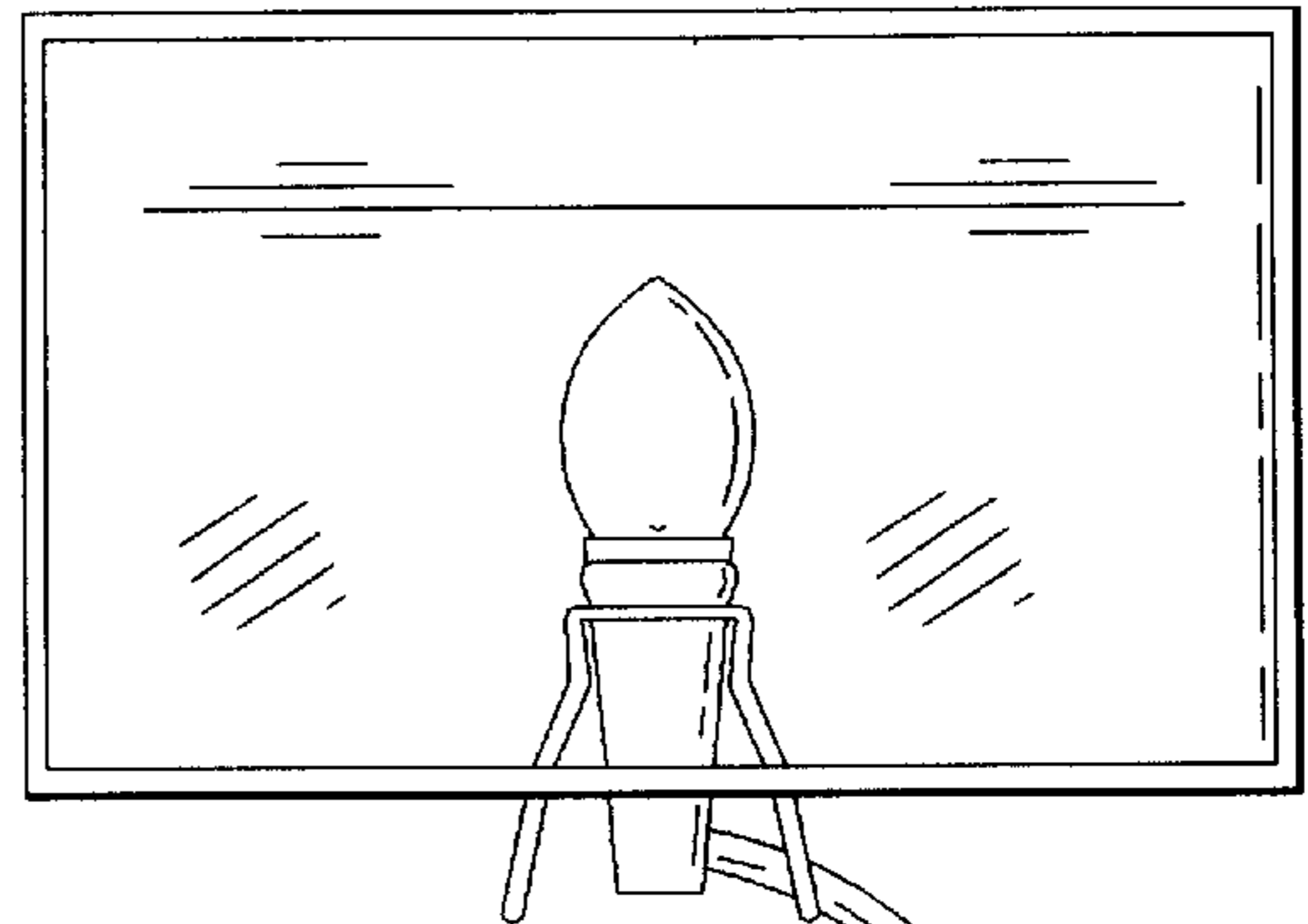


Fig. 3

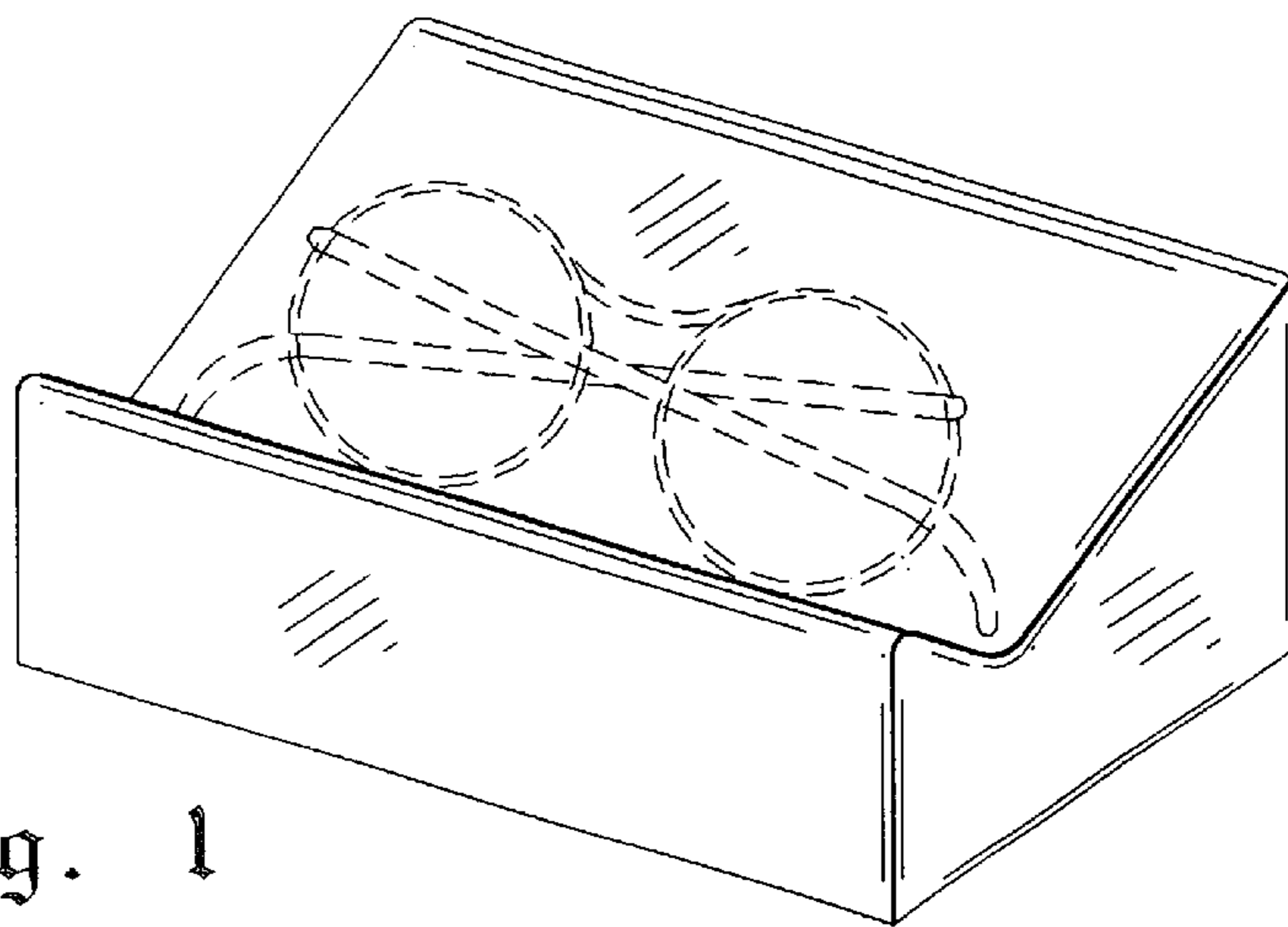


Fig. 1

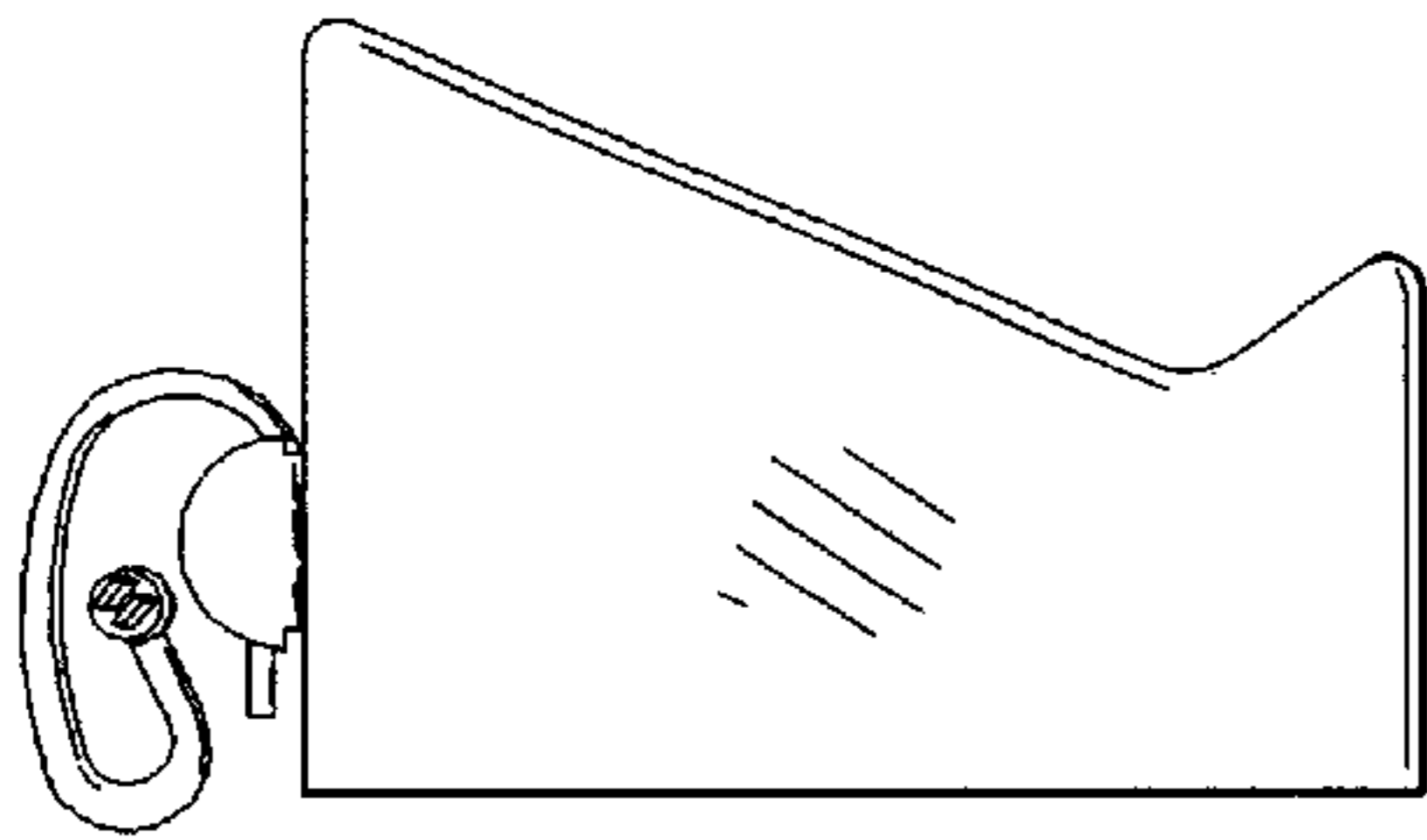


Fig. 6

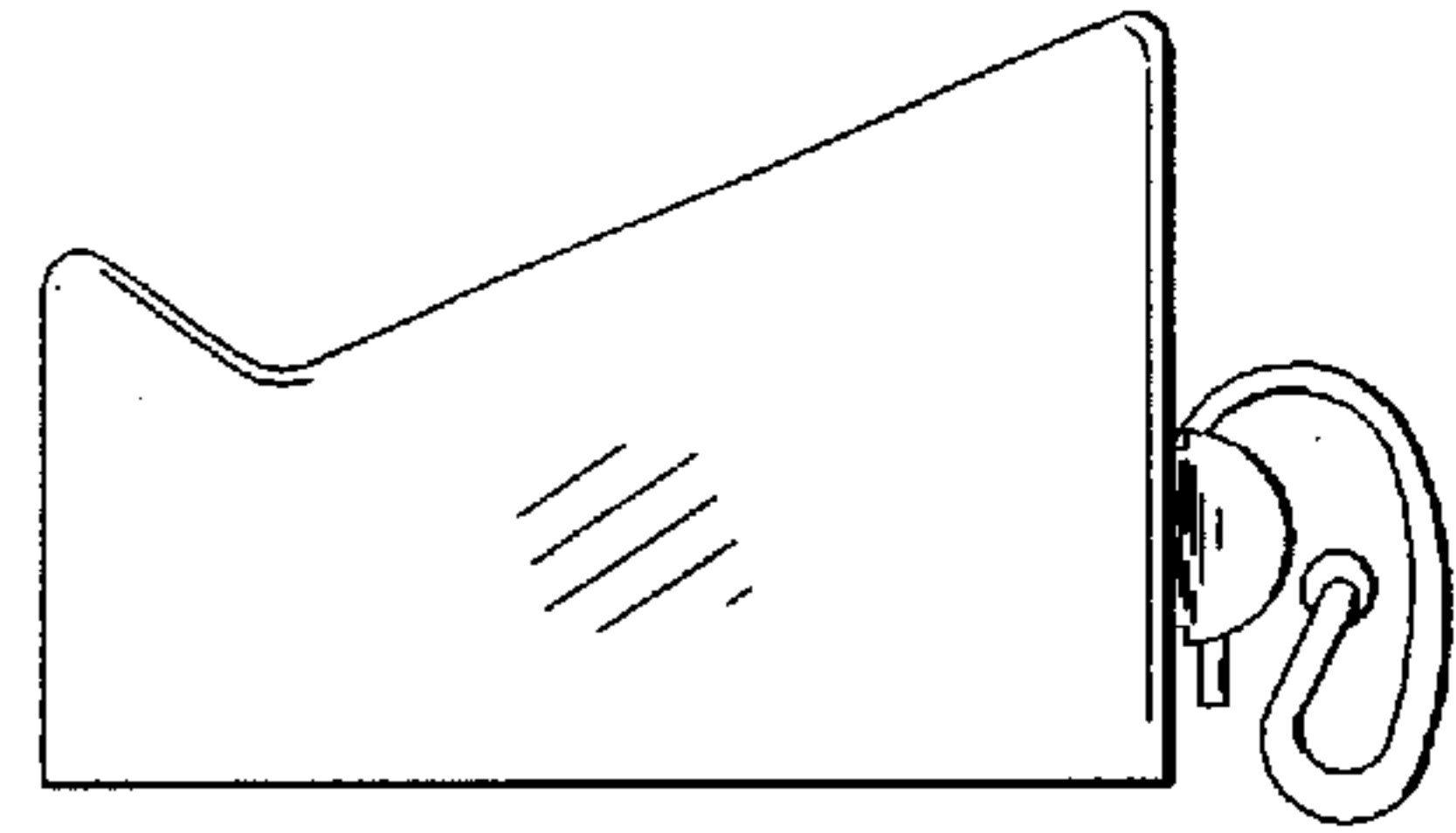


Fig. 7

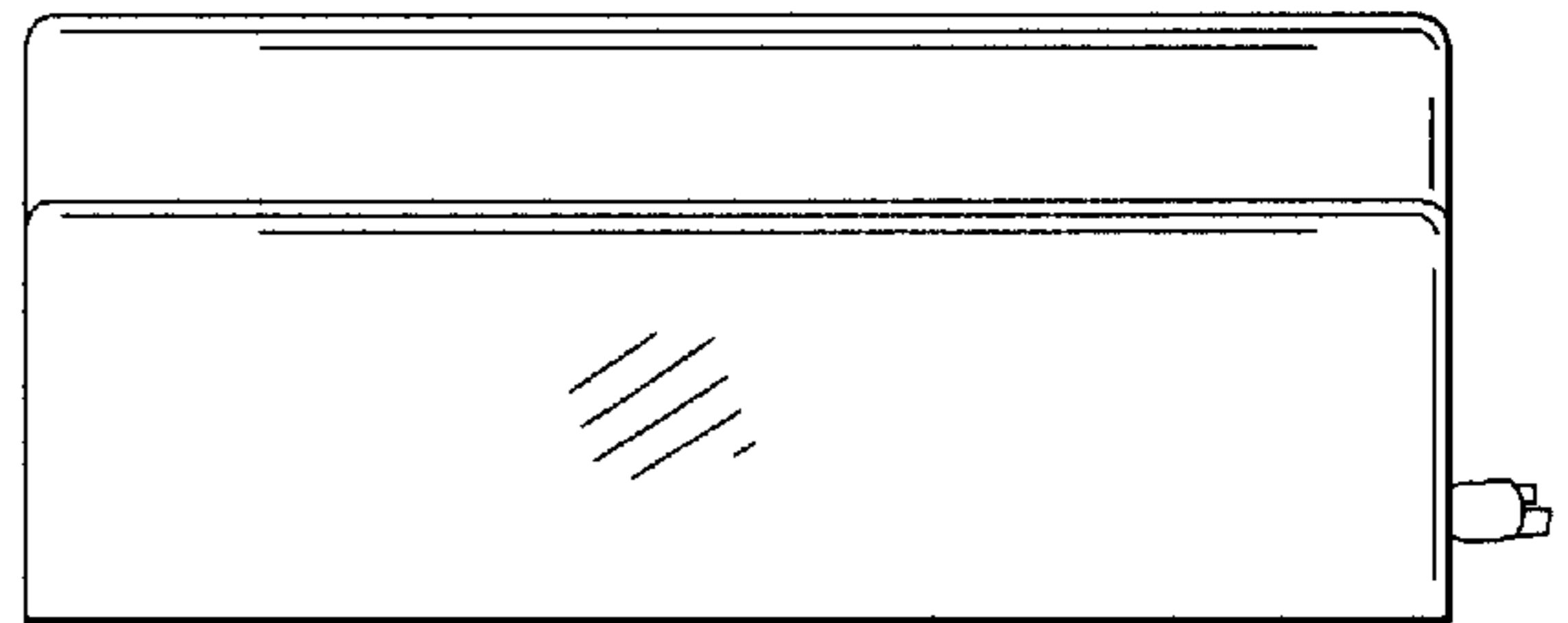


Fig. 4

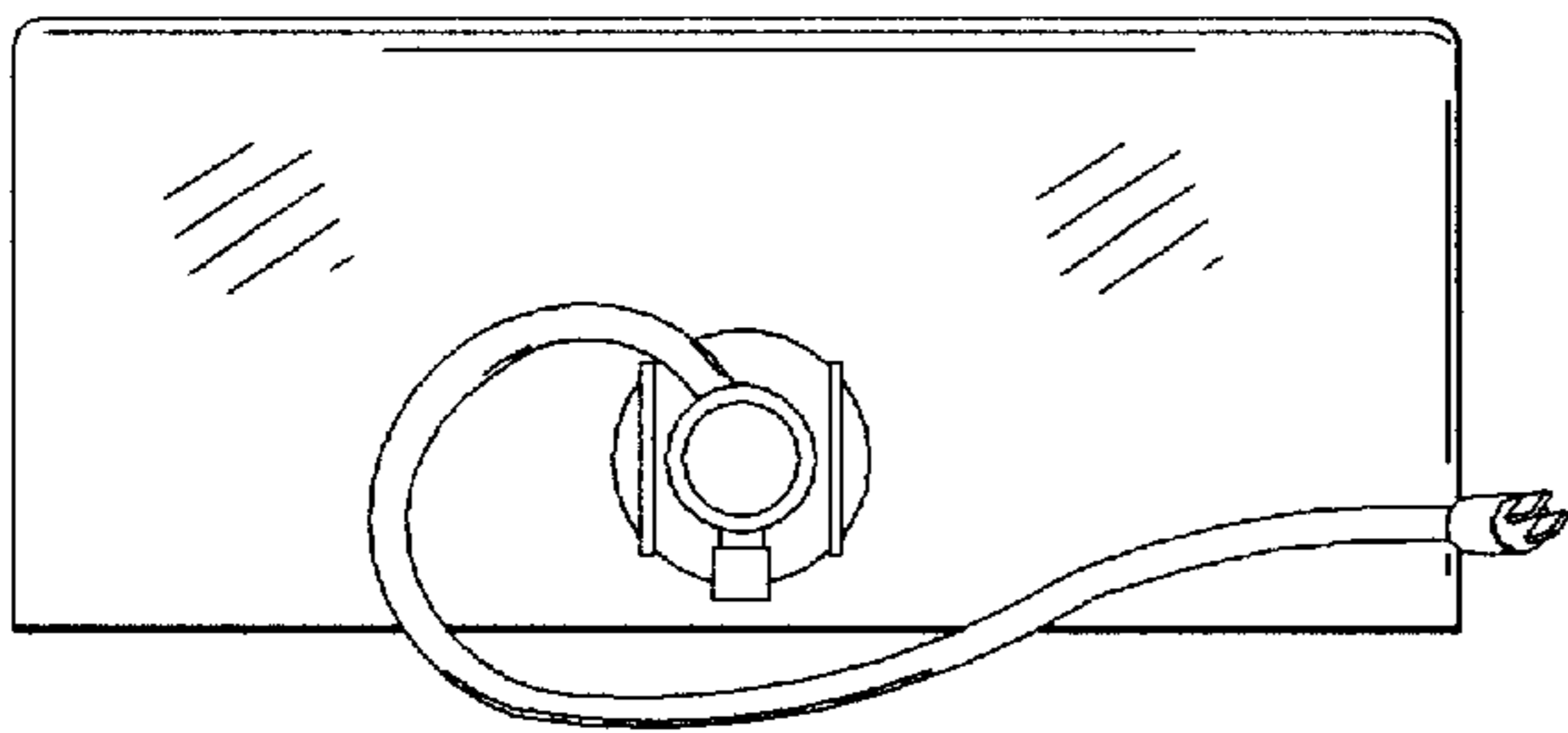


Fig. 5