



US00D440740S

(12) **United States Design Patent**
Anctil

(10) **Patent No.:** **US D440,740 S**

(45) **Date of Patent:** **** Apr. 24, 2001**

(54) **GLOVE APPLICATOR**

5,078,308 * 1/1992 Sullivan 223/111

(76) Inventor: **Paul J. Anctil**, 5135 SW. Sherwood Pl.,
Beaverton, OR (US) 97005

* cited by examiner

Primary Examiner—Paula A. Mortimer

(**) Term: **14 Years**

(57) **CLAIM**

(21) Appl. No.: **29/128,253**

The ornamental design for a glove applicator, as shown.

(22) Filed: **Aug. 22, 2000**

DESCRIPTION

(51) **LOC (7) Cl.** **07-99**

FIG. 1 is a front perspective view;

(52) **U.S. Cl.** **D2/641**

FIG. 2 is a top view;

(58) **Field of Search** D2/641, 642; 223/111,
223/113, 114, 115, 116, 117, 120

FIG. 3 is a front view;

FIG. 4 is a right side view, the left side view is a mirror image;

(56) **References Cited**

FIG. 5 is a back view; and,

FIG. 6 is a bottom view.

U.S. PATENT DOCUMENTS

The broken line showing of the glove and boards is for illustrative purposes only and forms no part of the claimed design.

D. 337,881	*	8/1993	Peeler	D2/641
1,938,685	*	12/1933	Brewls et al.	223/111
4,002,276	*	1/1977	Poncy et al.	223/111
4,228,935	*	10/1980	Madray	223/111

1 Claim, 2 Drawing Sheets

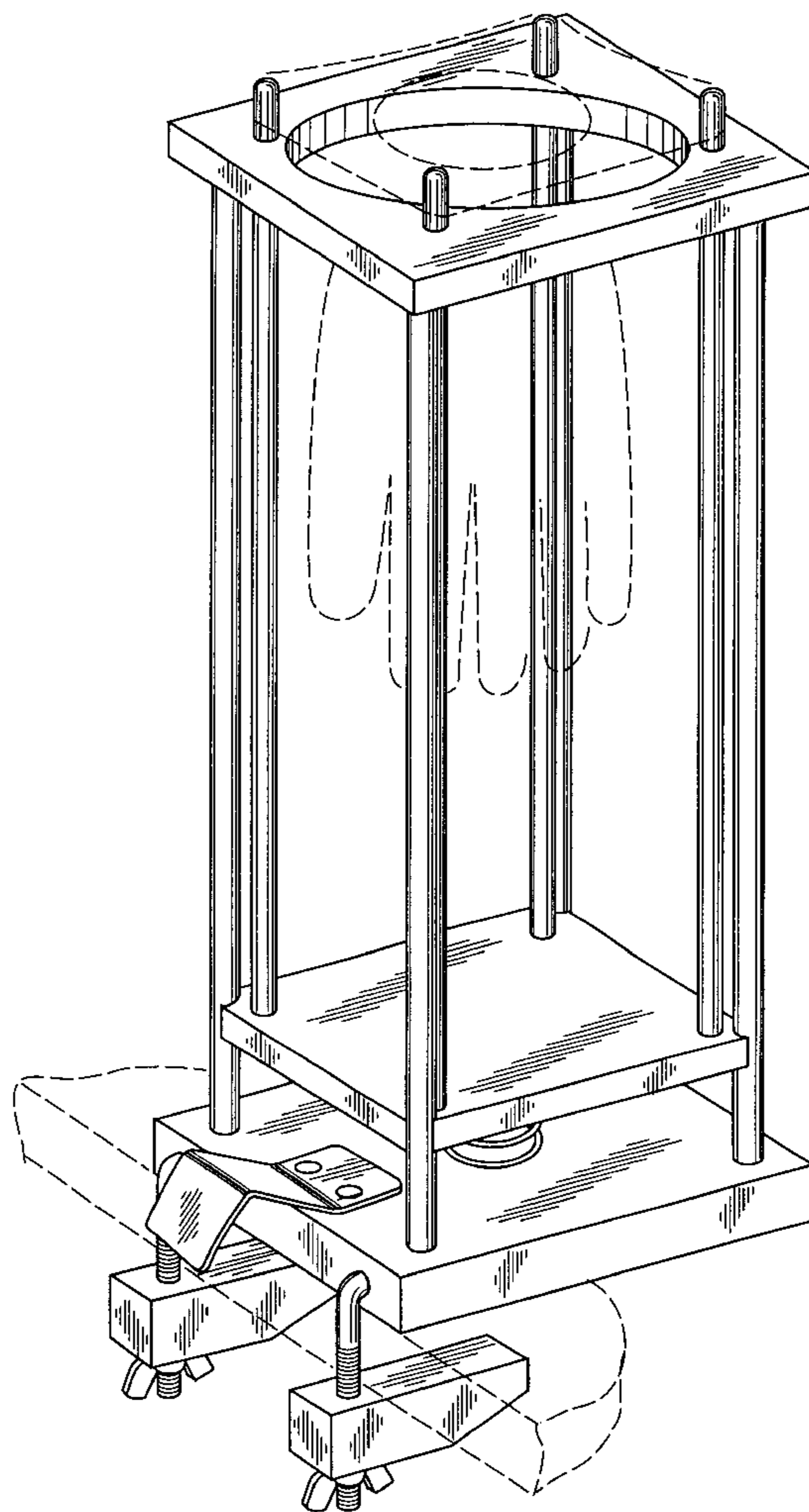


FIG. 1

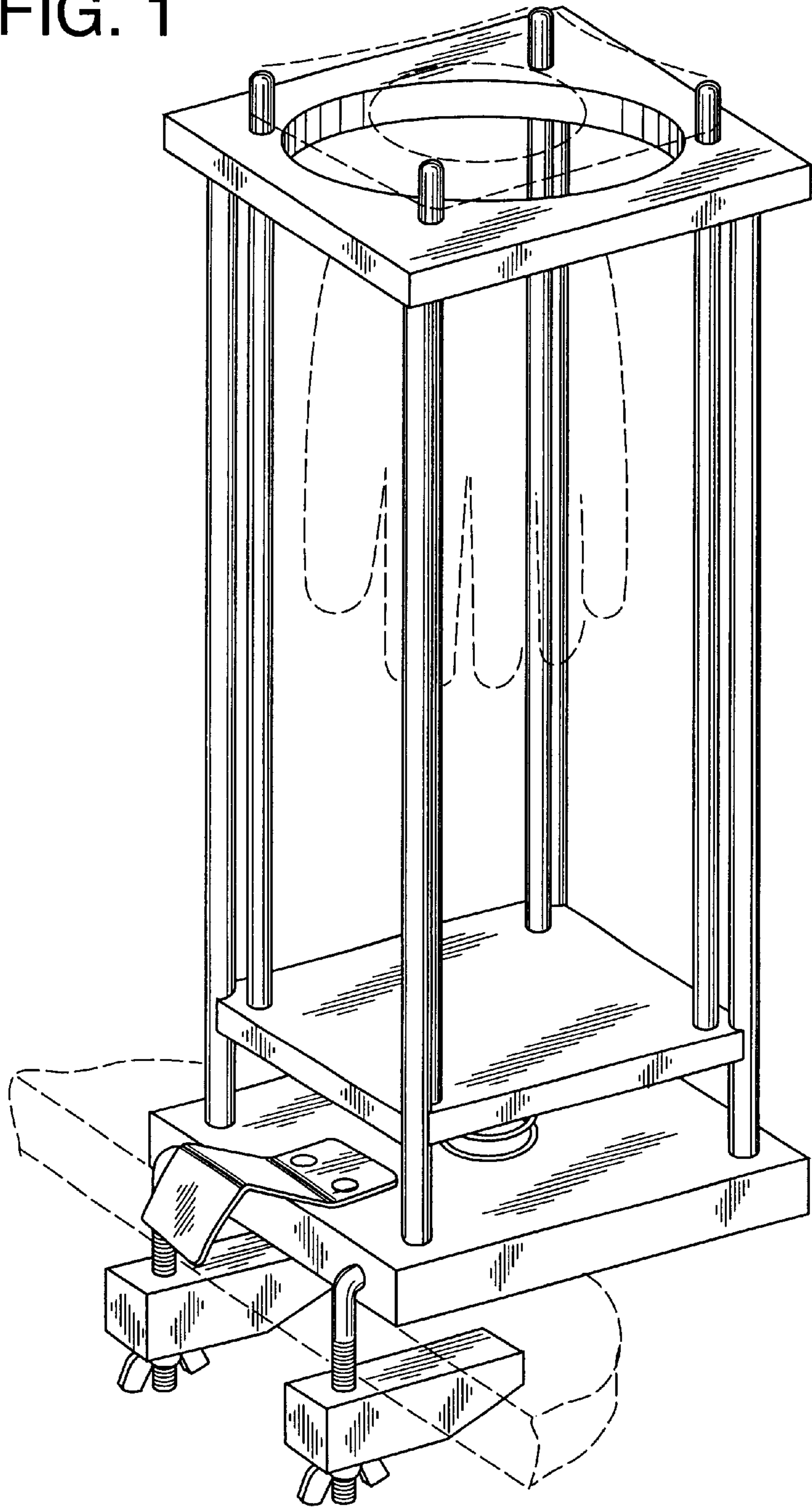


FIG. 2

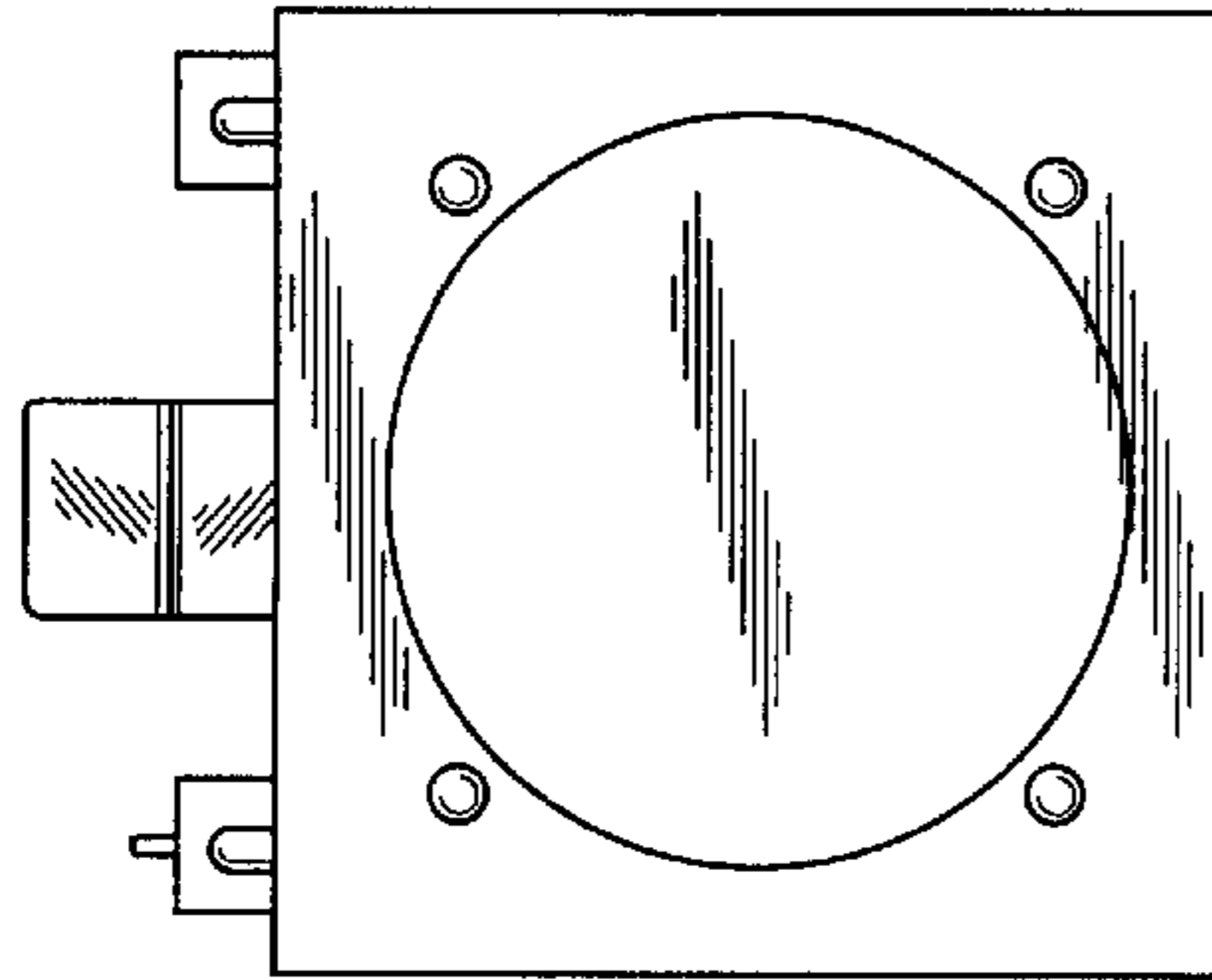


FIG. 3

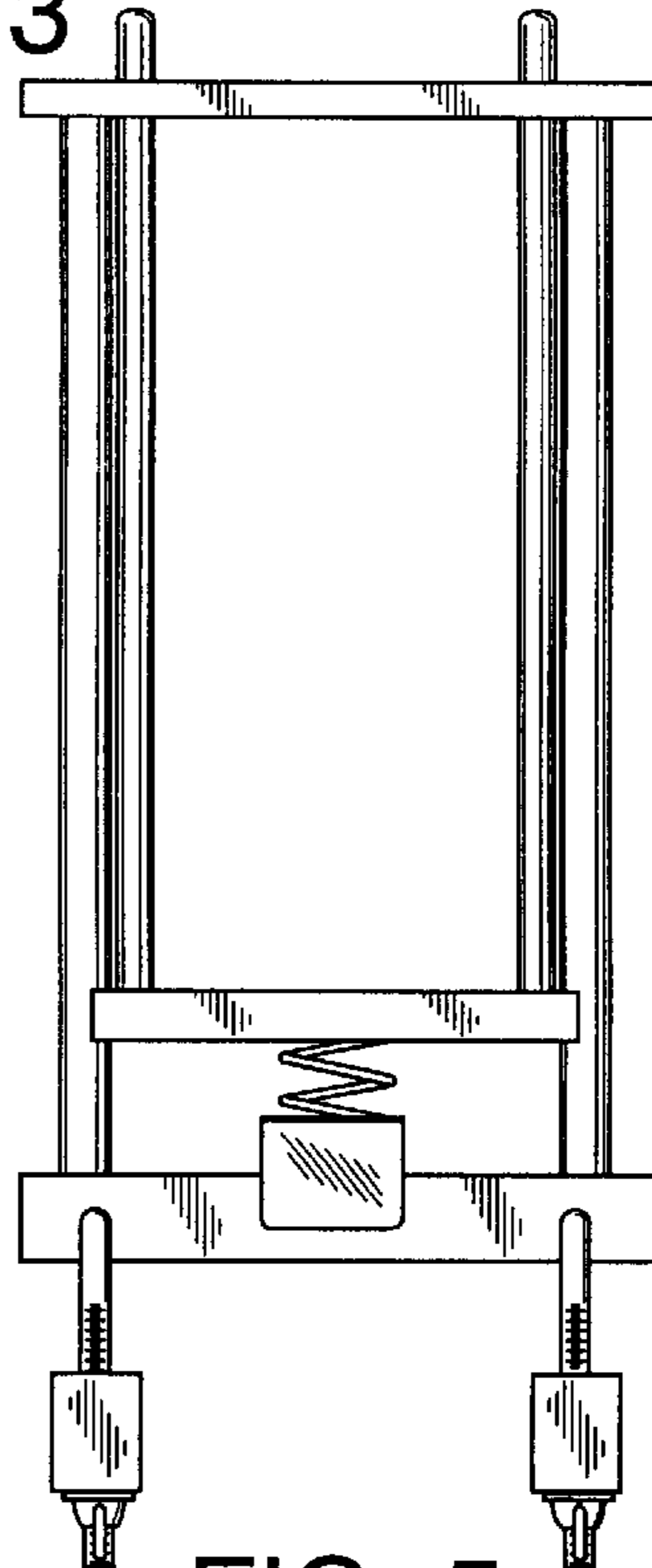


FIG. 4

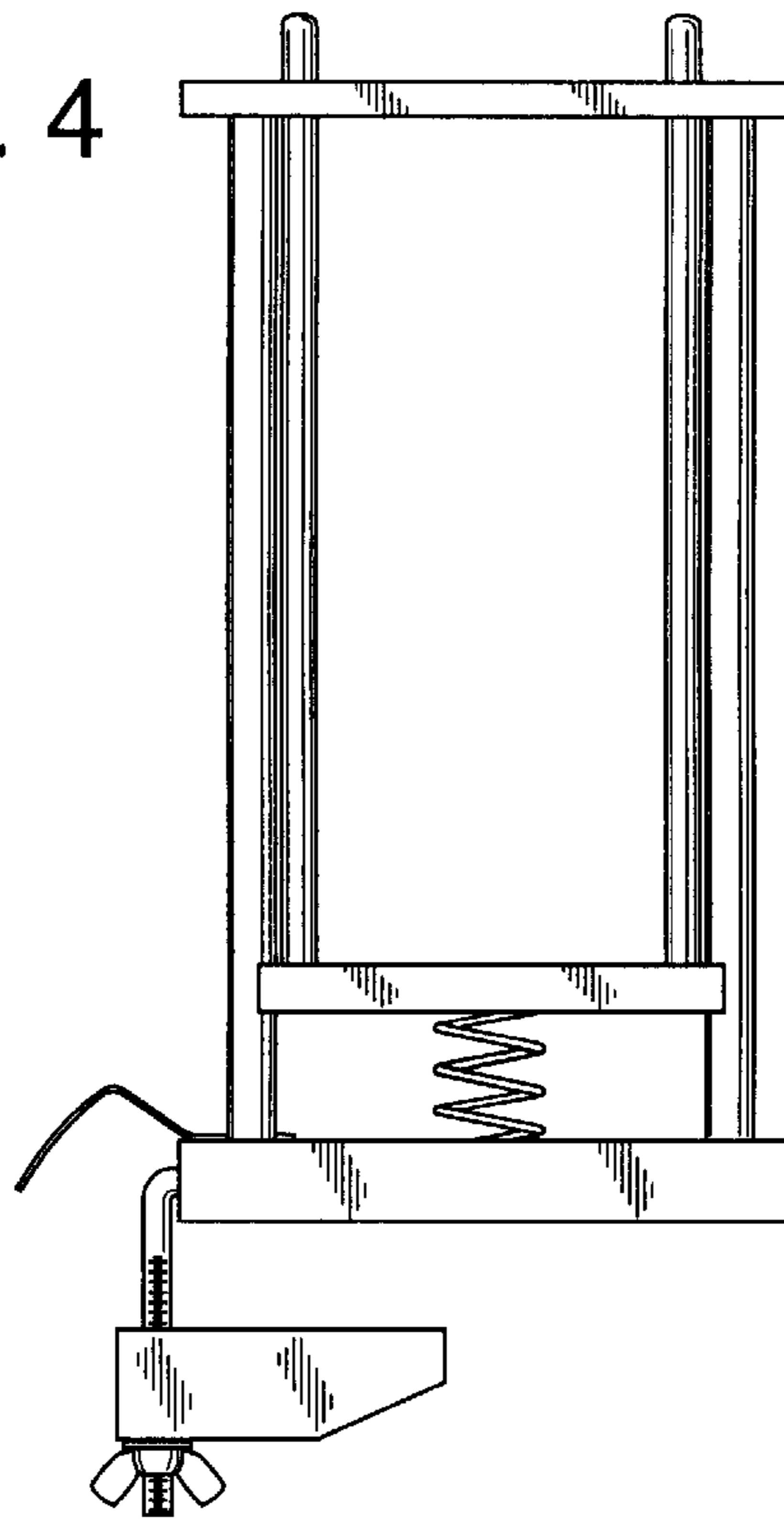


FIG. 5

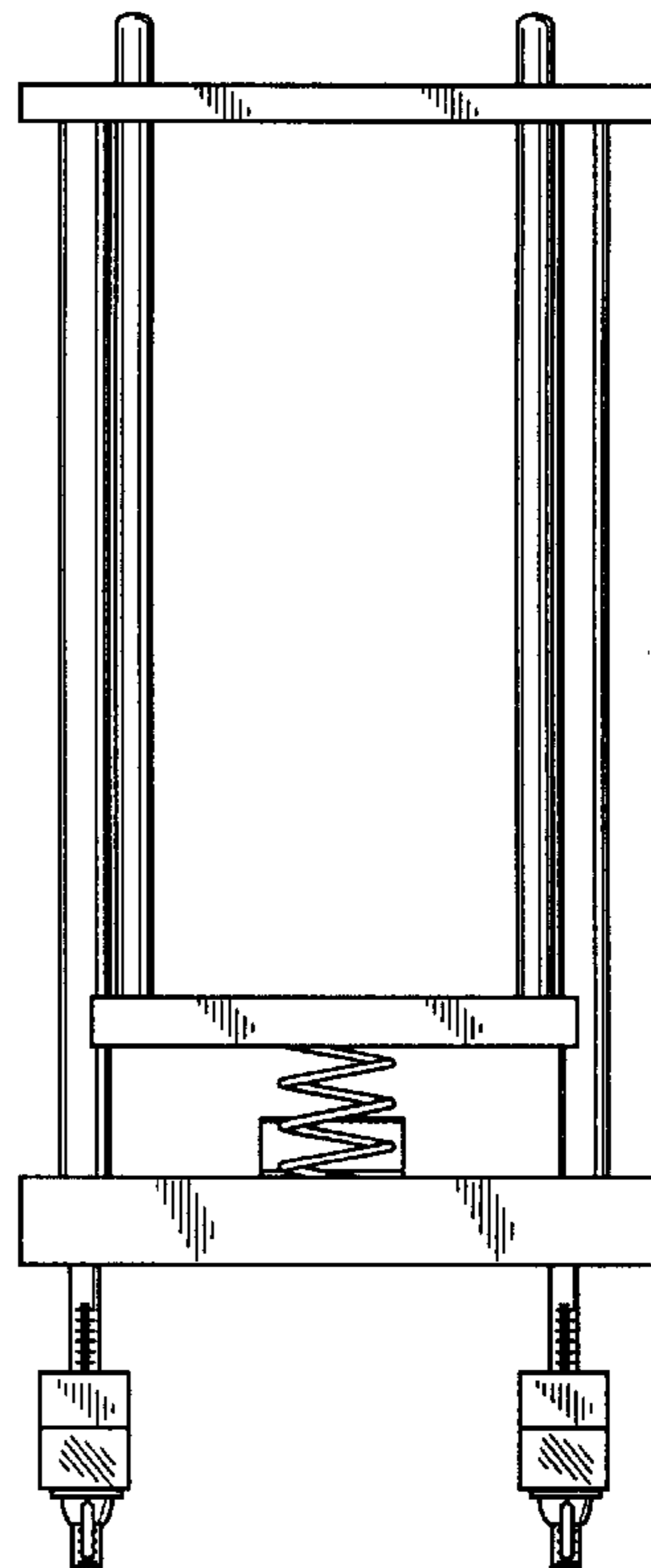


FIG. 6

