



US00D440733S

(12) **United States Design Patent**
Williams et al.

(10) **Patent No.:** **US D440,733 S**

(45) **Date of Patent:** **** Apr. 17, 2001**

(54) **HEADSTONE FLOWER HOLDER**

(76) Inventors: **Charles L. Williams**, 3652 Rolling Rd.,
Scottsville, VA (US) 24590-4228;
Debbie W. Mayo, Rte. 1, Box 380,
Troy, VA (US) 22974

(**) Term: **14 Years**

(21) Appl. No.: **29/123,745**

(22) Filed: **May 25, 2000**

(51) **LOC (7) Cl.** **99-00**

(52) **U.S. Cl.** **D99/19; D99/8**

(58) **Field of Search** D99/8, 19; D11/146,
D11/155; 47/39, 41.01, 41.11; 206/45.25,
423, 769; 248/315

(56) **References Cited**

U.S. PATENT DOCUMENTS

D. 71,328	10/1926	Buchan et al. .	
D. 320,493	* 10/1991	Fewell	D99/8
D. 365,041	* 12/1995	Dollinger	D11/146
1,226,101	* 5/1917	Marsden	248/315
1,448,808	3/1923	McGowan .	
2,733,549	* 2/1956	Moore, Jr.	47/41.01

3,734,275	*	5/1973	Greene	206/45.25
3,767,104	*	10/1973	Bachman et al.	206/423
5,435,099		7/1995	Conway .	
6,067,748	*	5/2000	Williams	47/41.01

* cited by examiner

Primary Examiner—Paula A. Mortimer

(74) *Attorney, Agent, or Firm*—Richard C. Litman

(57) **CLAIM**

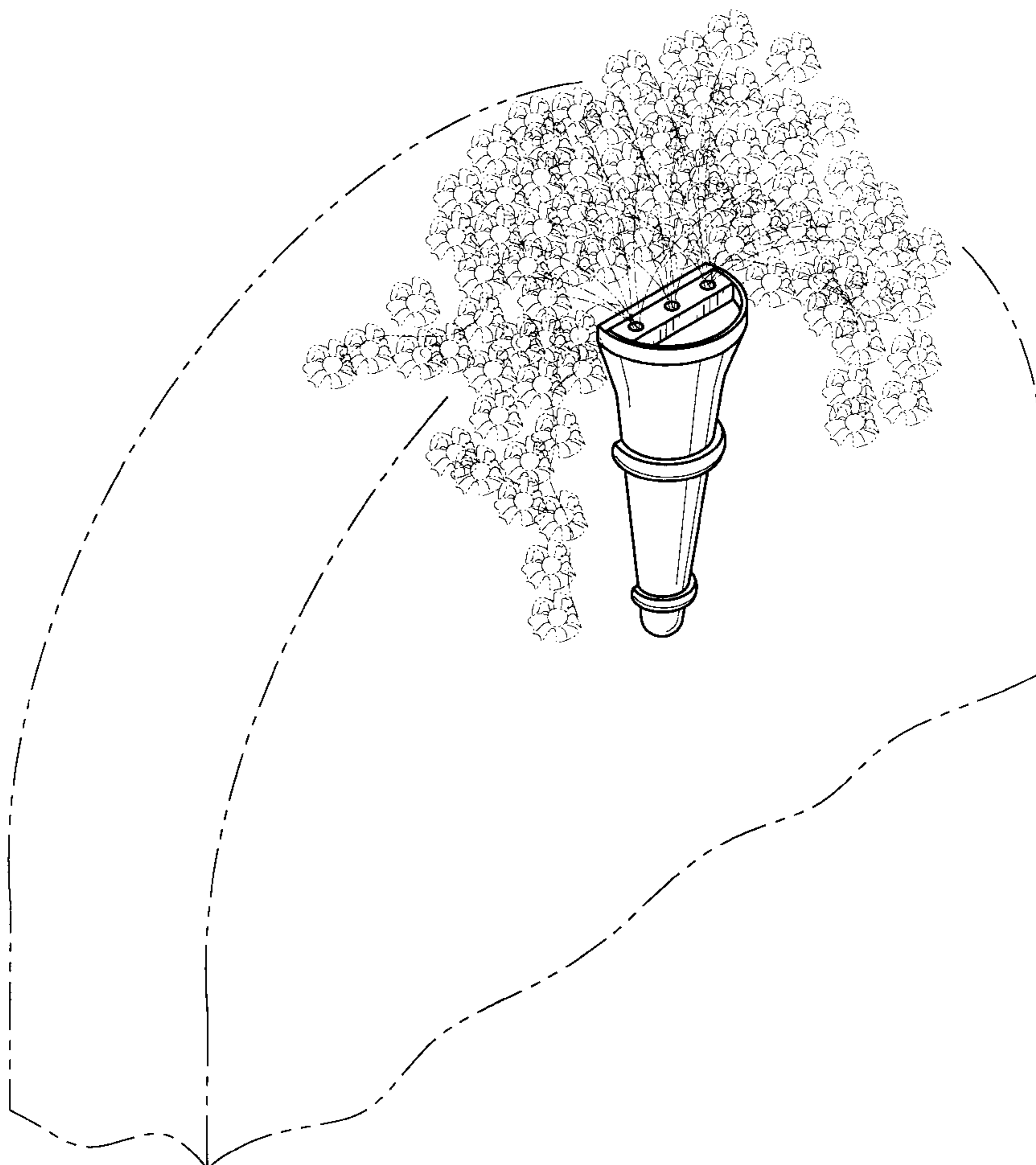
The ornamental design for a headstone flower holder, as shown and described.

DESCRIPTION

FIG. 1 is an environmental perspective view of a headstone flower holder showing my new design; FIG. 2 is a front elevational view thereof; FIG. 3 is a rear elevational view thereof; FIG. 4 is a top plan view thereof; and, FIG. 5 is a right side elevational view with the left side being a mirror image thereof.

The broken line showing of the flowers and the headstone in FIG. 1 is for illustrative purposes only and forms no part of the claimed design.

1 Claim, 3 Drawing Sheets



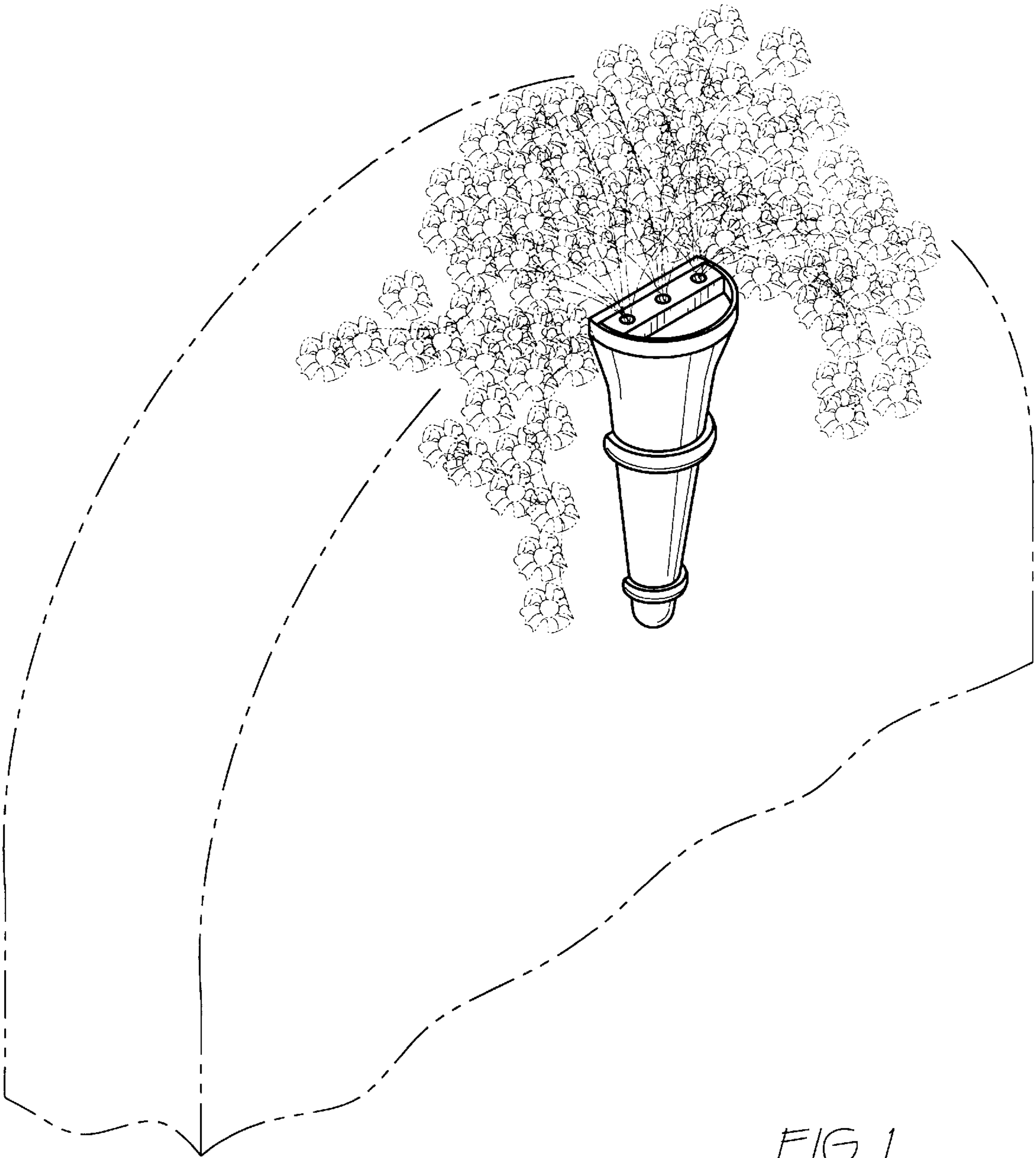
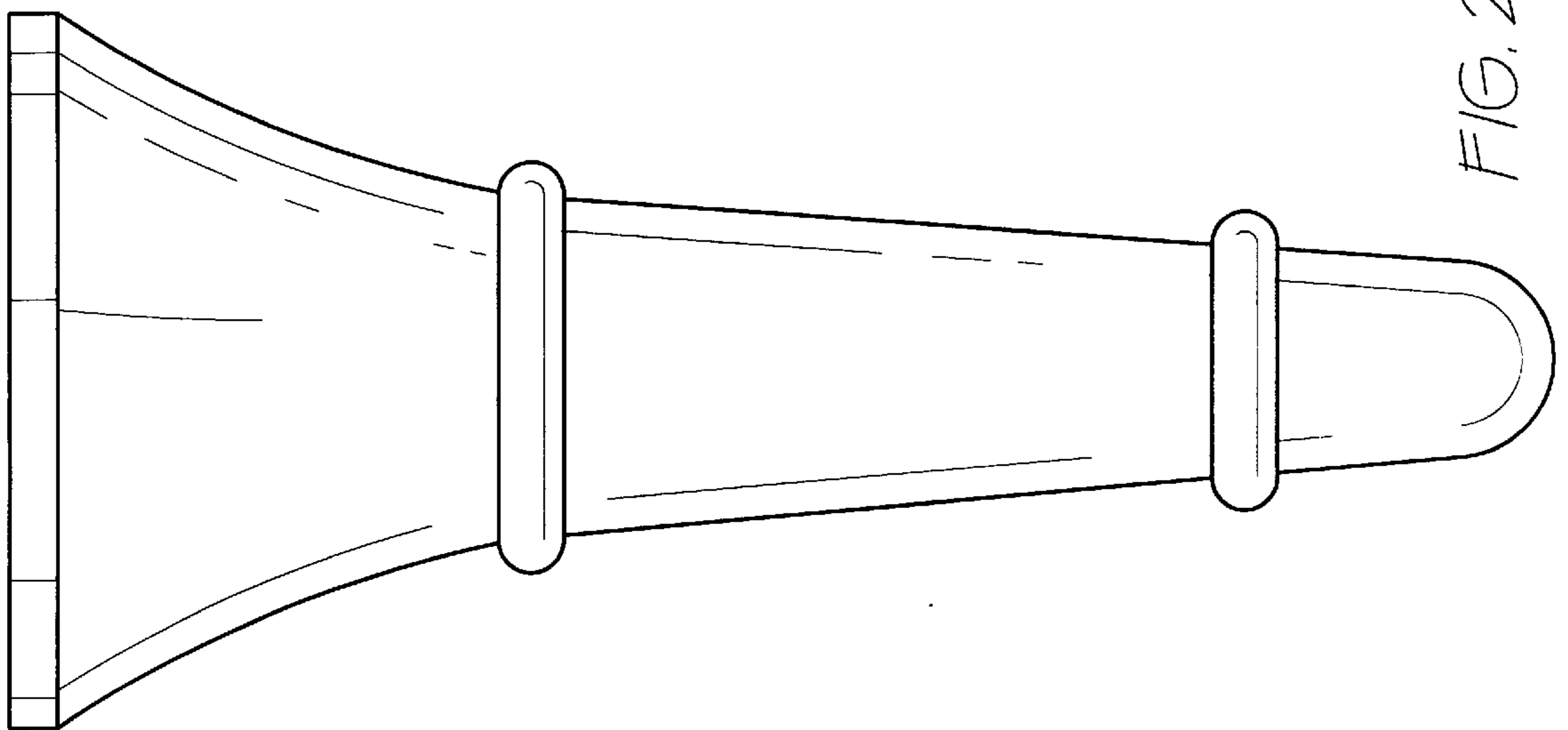
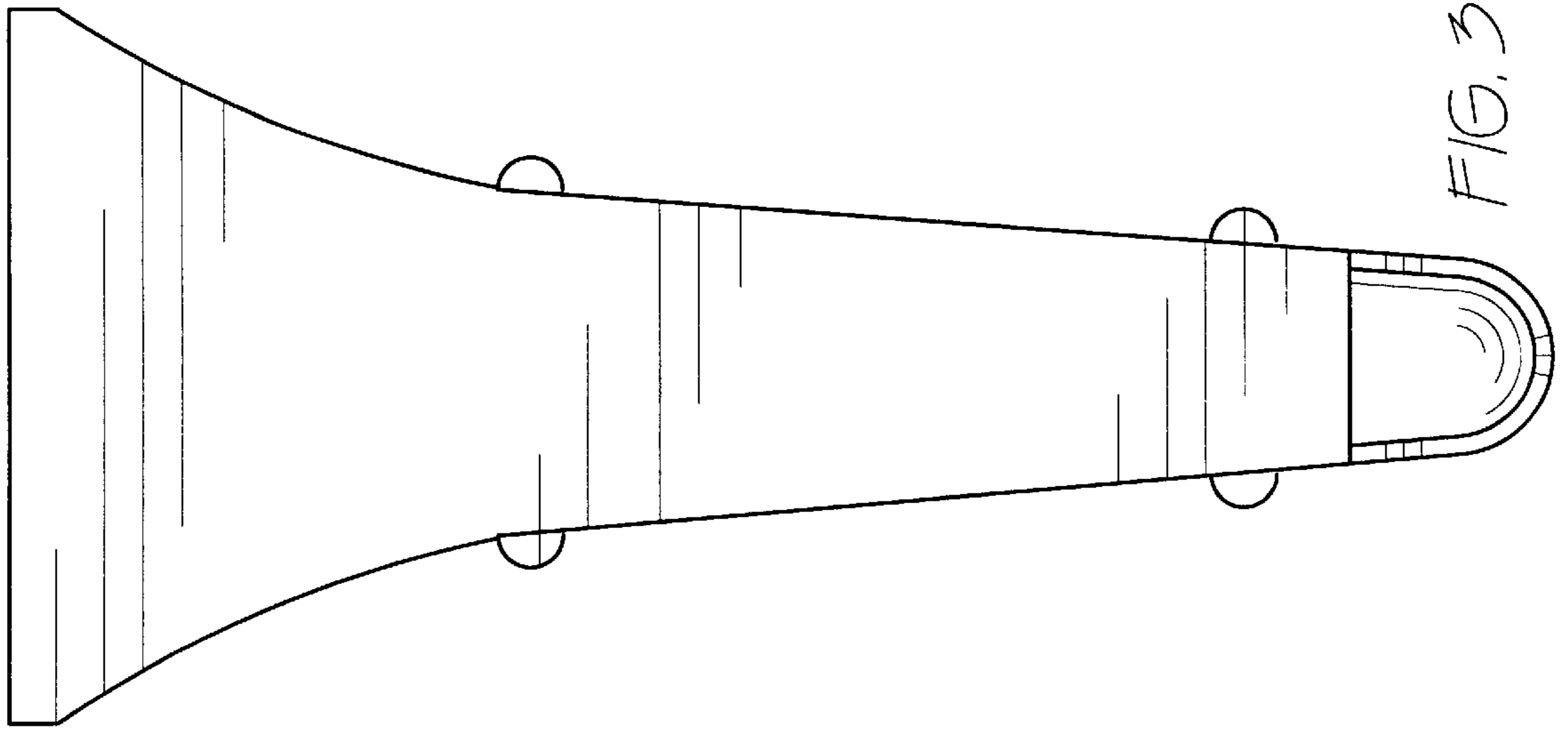


FIG. 1



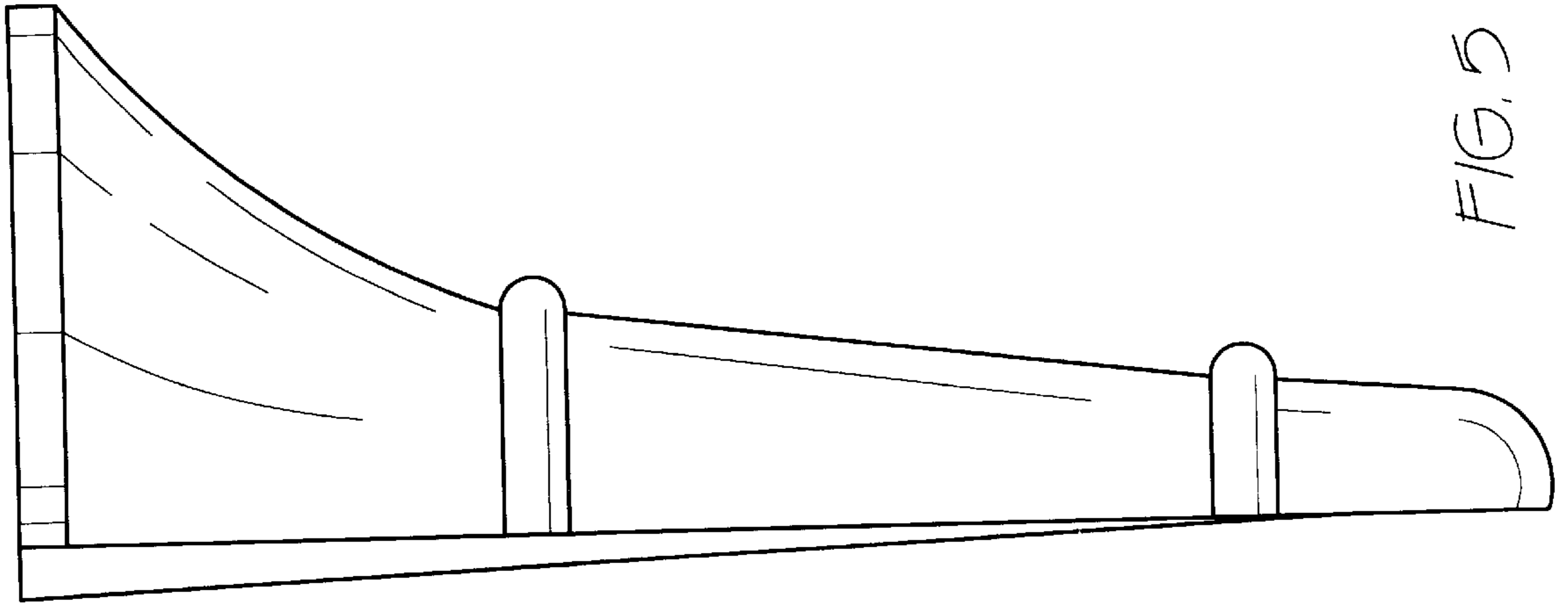


FIG. 5

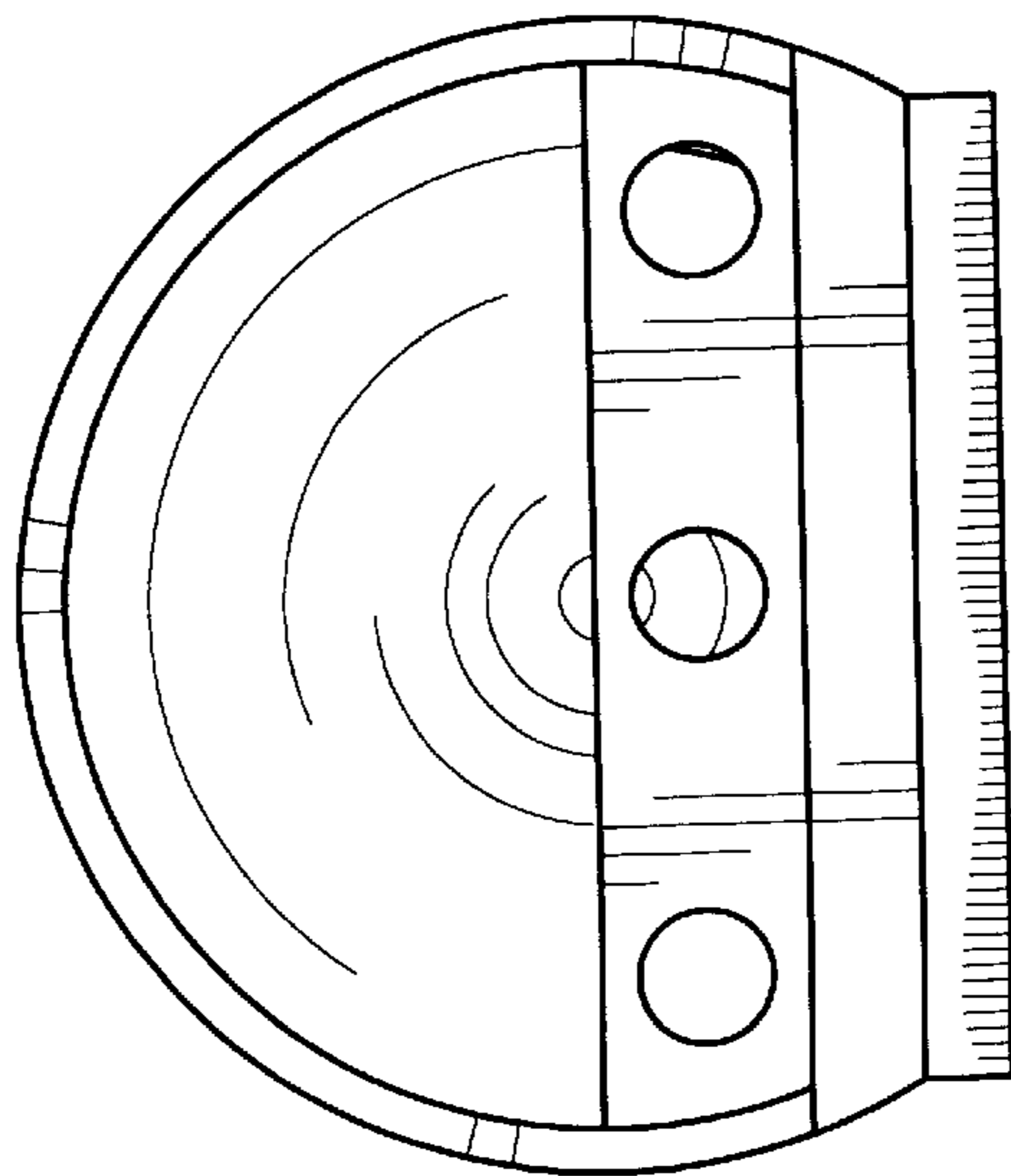


FIG. 4