



US00D440731S

(12) **United States Design Patent**
Myers

(10) **Patent No.:** **US D440,731 S**

(45) **Date of Patent:** **** Apr. 17, 2001**

- (54) **SAUSAGE CONVEYOR HOOK**
- (75) Inventor: **James Linden Myers**, Urbandale, IA (US)
- (73) Assignee: **Townsend Engineering Company**, Des Moines, IA (US)
- (**) Term: **14 Years**
- (21) Appl. No.: **29/125,931**
- (22) Filed: **Jul. 5, 2000**
- (51) **LOC (7) Cl.** **12-05**
- (52) **U.S. Cl.** **D34/35; D34/29**
- (58) **Field of Search** **D8/367, 373; D34/35, D34/29; 452/166, 167, 168, 170, 184, 179, 188**

4,233,709	*	11/1980	Smith et al.	452/51
4,372,009	*	2/1983	Linville	452/167
4,524,488	*	6/1985	Van Den Bogert	452/168
5,092,815	*	3/1992	Polkinghorne	452/179
5,197,915	*	3/1993	Nakamura et al.	452/51
5,487,700	*	1/1996	Dillard	452/188

* cited by examiner

Primary Examiner—Cynthia E. Ramirez
(74) *Attorney, Agent, or Firm*—Zarley, McKee, Thomte, Voorhees & Sease

(57) **CLAIM**

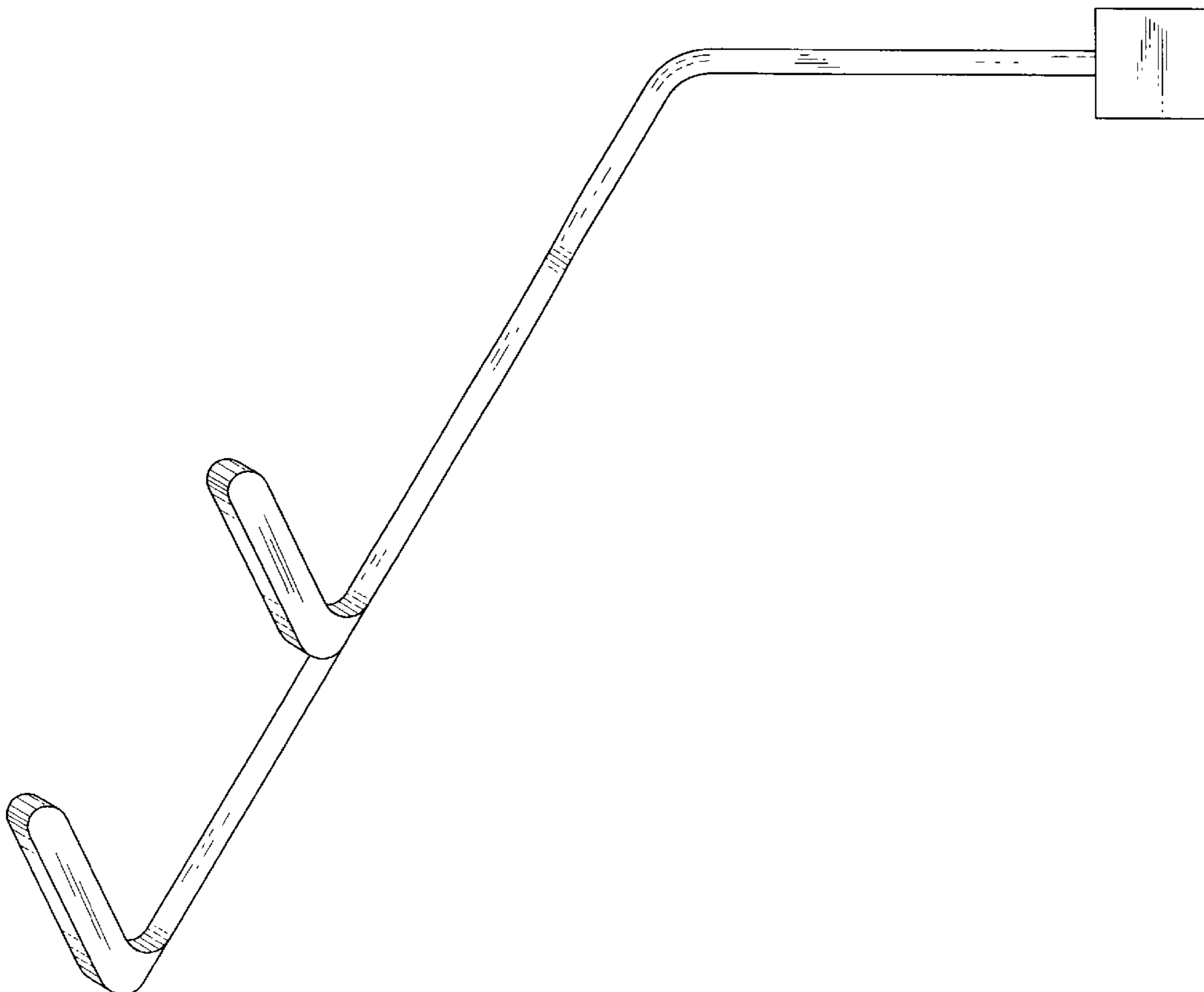
I claim the ornamental design for a sausage conveyor hook, as shown and described.

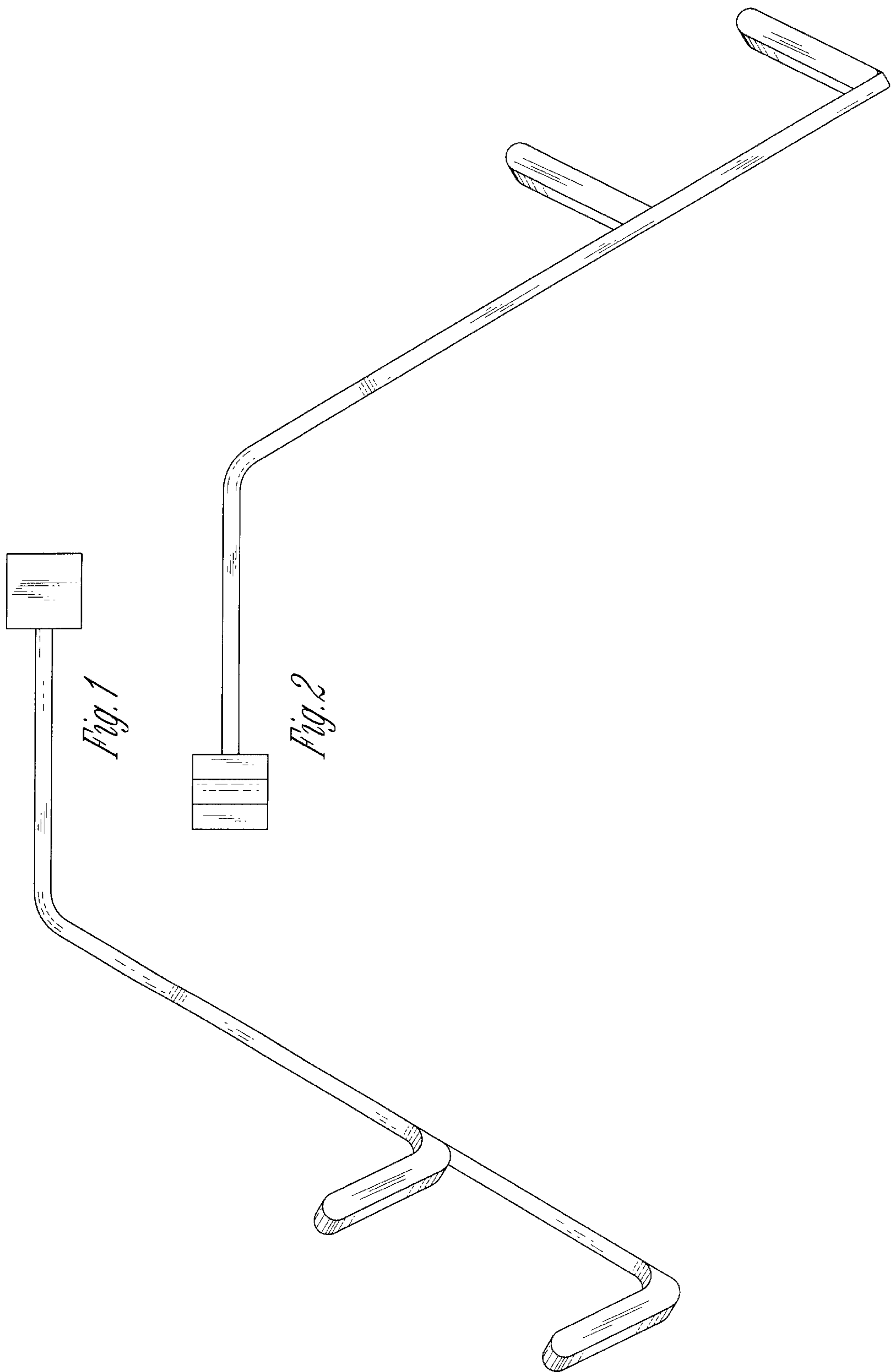
DESCRIPTION

FIG. 1 is a right elevational view of a sausage conveyor hook showing my new design;
FIG. 2 is a left elevational view thereof;
FIG. 3 is a top plan view thereof;
FIG. 4 is a bottom plan view thereof as seen from the left-hand side of FIG. 1;
FIG. 5 is a front elevational view; and,
FIG. 6 is a rear elevational view as seen from the right-hand side of FIG. 1.

- (56) **References Cited**
- U.S. PATENT DOCUMENTS**
- D. 227,393 * 6/1973 Bickham D8/367
- D. 397,287 8/1998 Hergott et al. D8/367
- D. 429,626 * 8/2000 Hearn et al. D8/367
- 3,312,442 4/1967 Moeller 248/217
- 3,347,504 10/1967 Goss 248/488
- 3,423,058 1/1969 Kuster 248/301
- 3,972,499 8/1976 Simmons 248/224

1 Claim, 3 Drawing Sheets





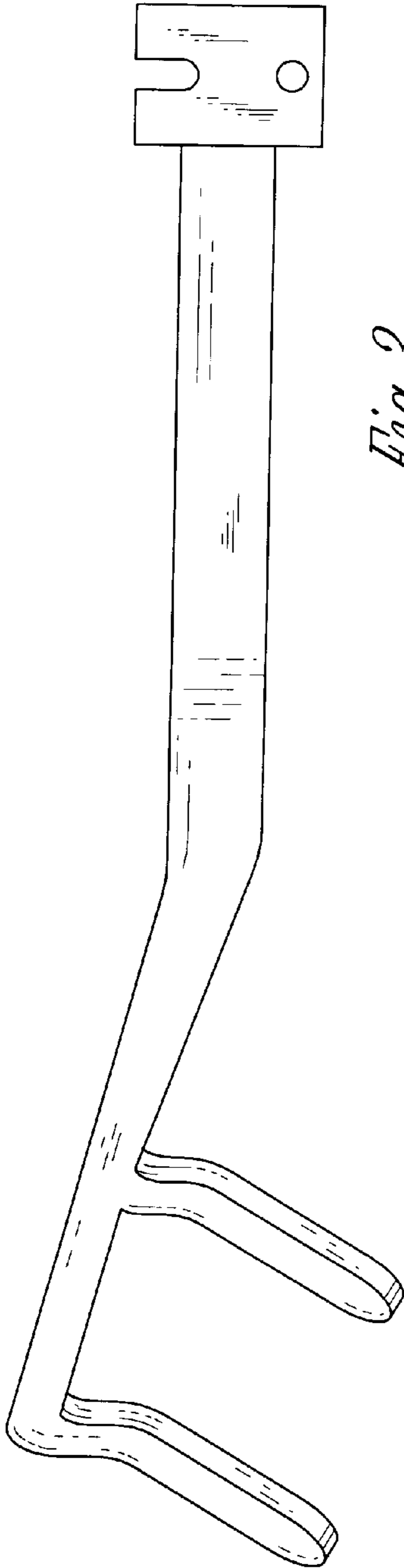


Fig. 3

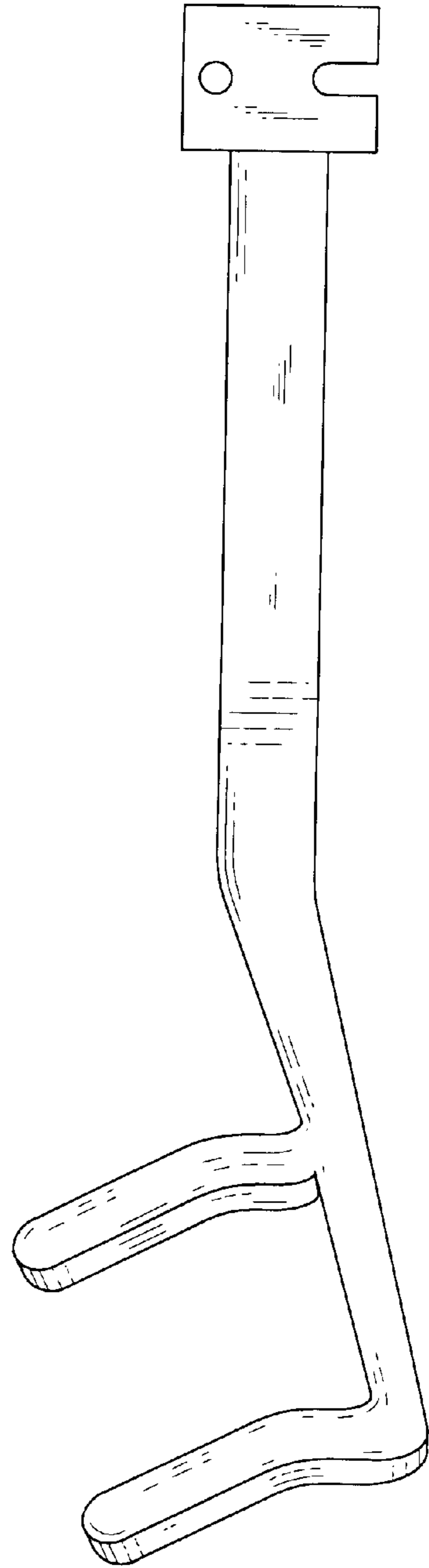


Fig. 4

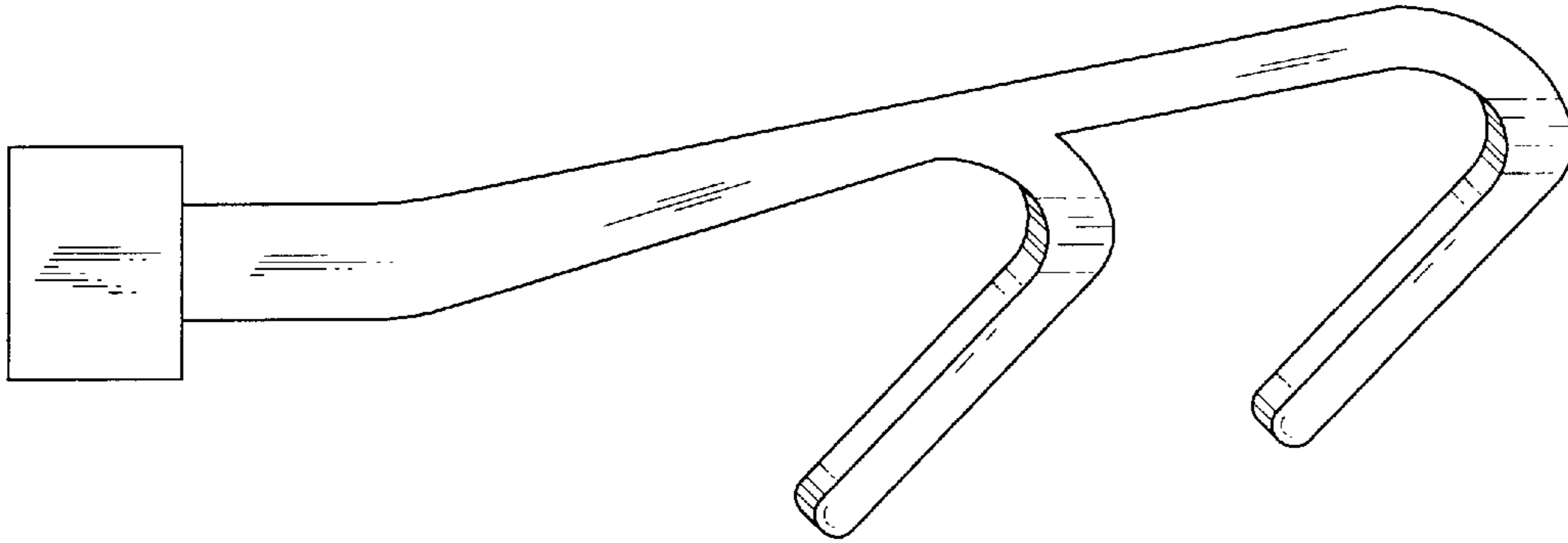


Fig. 6

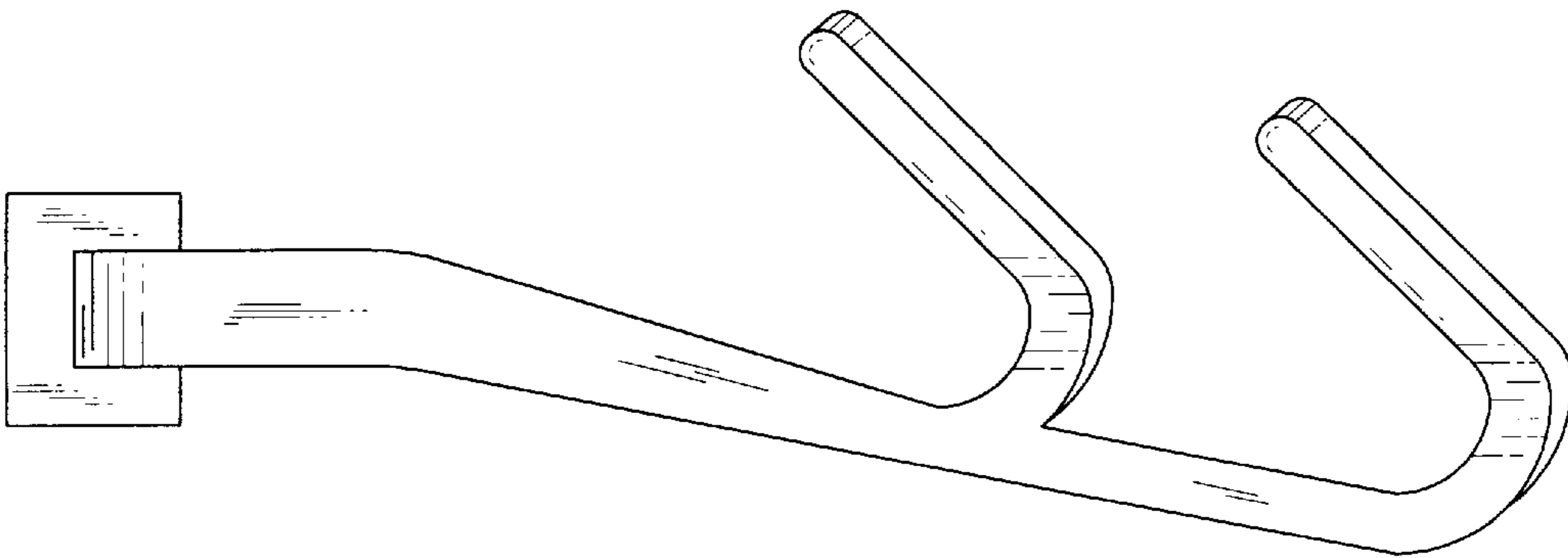


Fig. 5