



US00D440730S

(12) **United States Design Patent**
Lu

(10) **Patent No.:** **US D440,730 S**

(45) **Date of Patent:** **** Apr. 17, 2001**

(54) **JACK PUMP**

(76) Inventor: **Chung-Tai Lu**, 58, Ma Yuan West St.,
Taichung (TW)

(**) Term: **14 Years**

(21) Appl. No.: **29/124,031**

(22) Filed: **May 26, 2000**

(51) **LOC (7) Cl.** **12-05**

(52) **U.S. Cl.** **D34/31**

(58) **Field of Search** D34/31; 254/93 H,
254/8 B, 93 R

(56) **References Cited**

U.S. PATENT DOCUMENTS

D. 53,505	*	7/1919	Kimball	D34/31
D. 225,554	*	12/1972	Howlett	D34/31
D. 274,668	*	7/1984	Eliasson	D34/31
D. 281,113	*	10/1985	Plumb	D34/31
D. 368,568	*	4/1996	Hartley	D34/31
3,011,763	*	12/1961	Landin	254/93 H

3,062,502	*	11/1962	Pelletier	254/93 H
3,685,797	*	8/1972	Orr	254/8 B
3,780,987	*	12/1973	Craft et al.	254/8 B
3,871,619	*	3/1975	Simon	254/93 R
5,673,898	*	10/1997	Michalo	254/93 R

* cited by examiner

Primary Examiner—Cynthia E. Ramirez

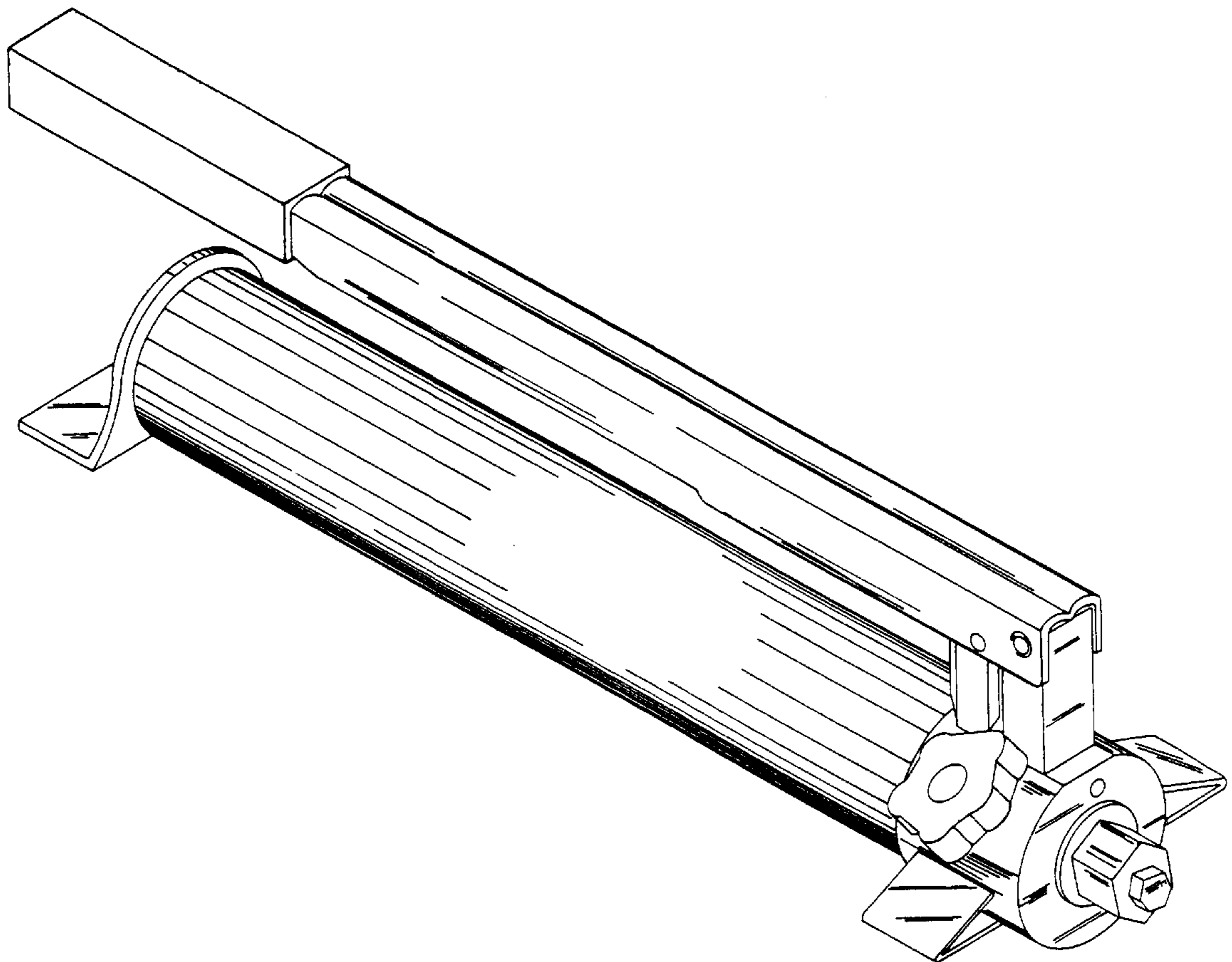
(57) **CLAIM**

The ornamental design for a jack pump, as shown and described.

DESCRIPTION

FIG. 1 is a perspective view of a jack pump showing my new design;
FIG. 2 is a front elevational view thereof;
FIG. 3 is a rear elevational view thereof;
FIG. 4 is a left side elevational view thereof.
FIG. 5 is a right side elevational view thereof;
FIG. 6 is a top plan view thereof; and,
FIG. 7 is a bottom plan view thereof.

1 Claim, 4 Drawing Sheets



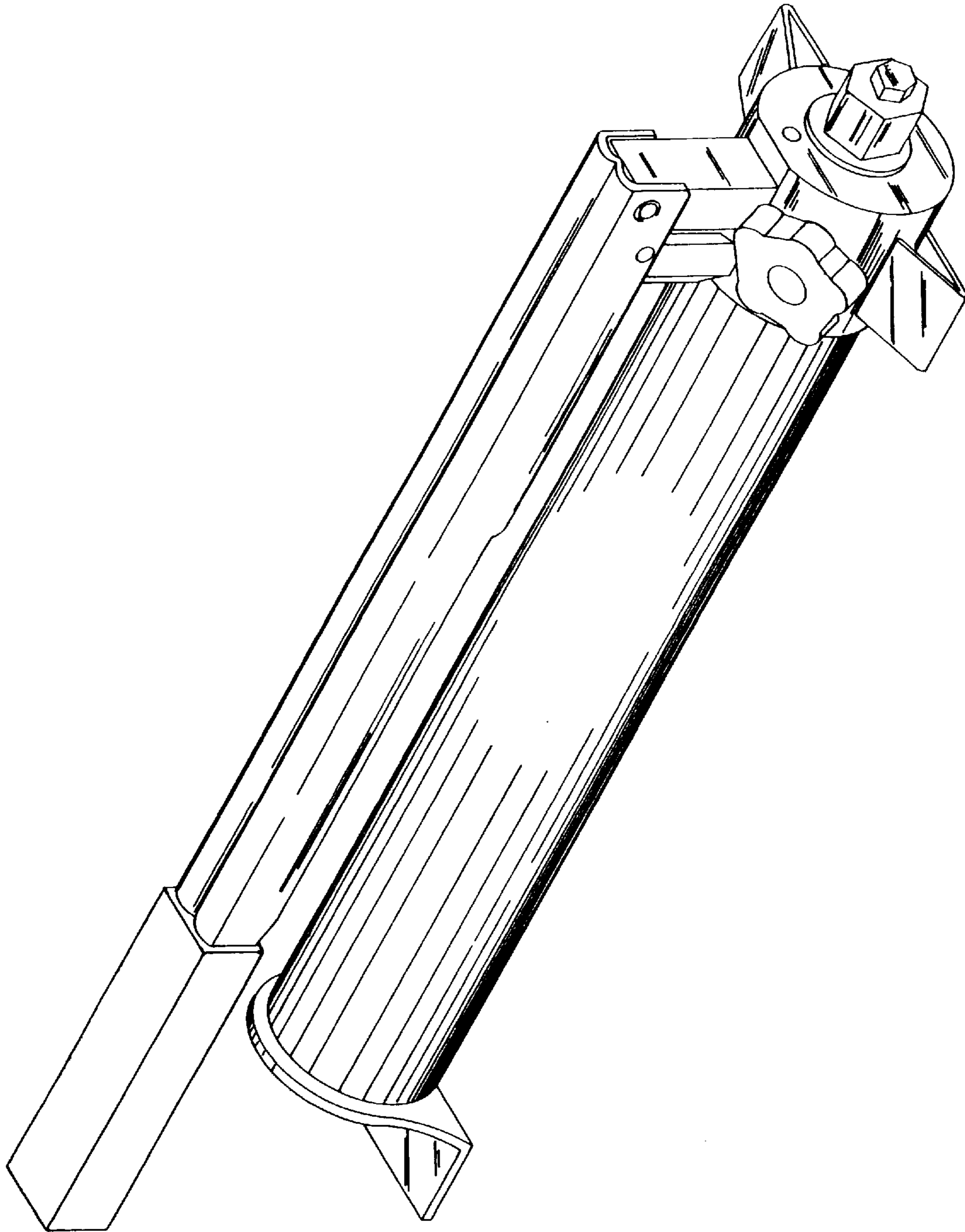


FIG. 1

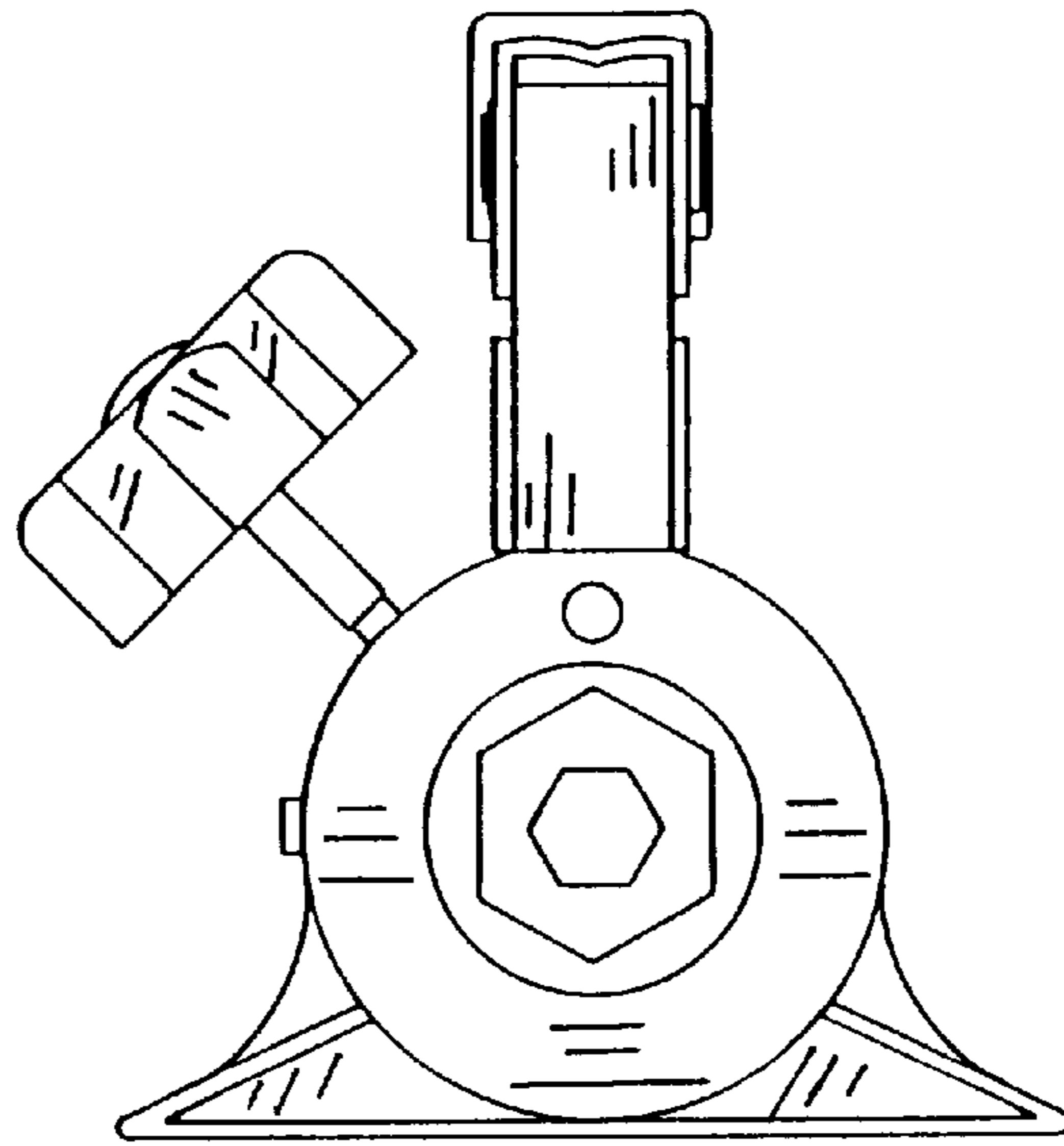


FIG. 2

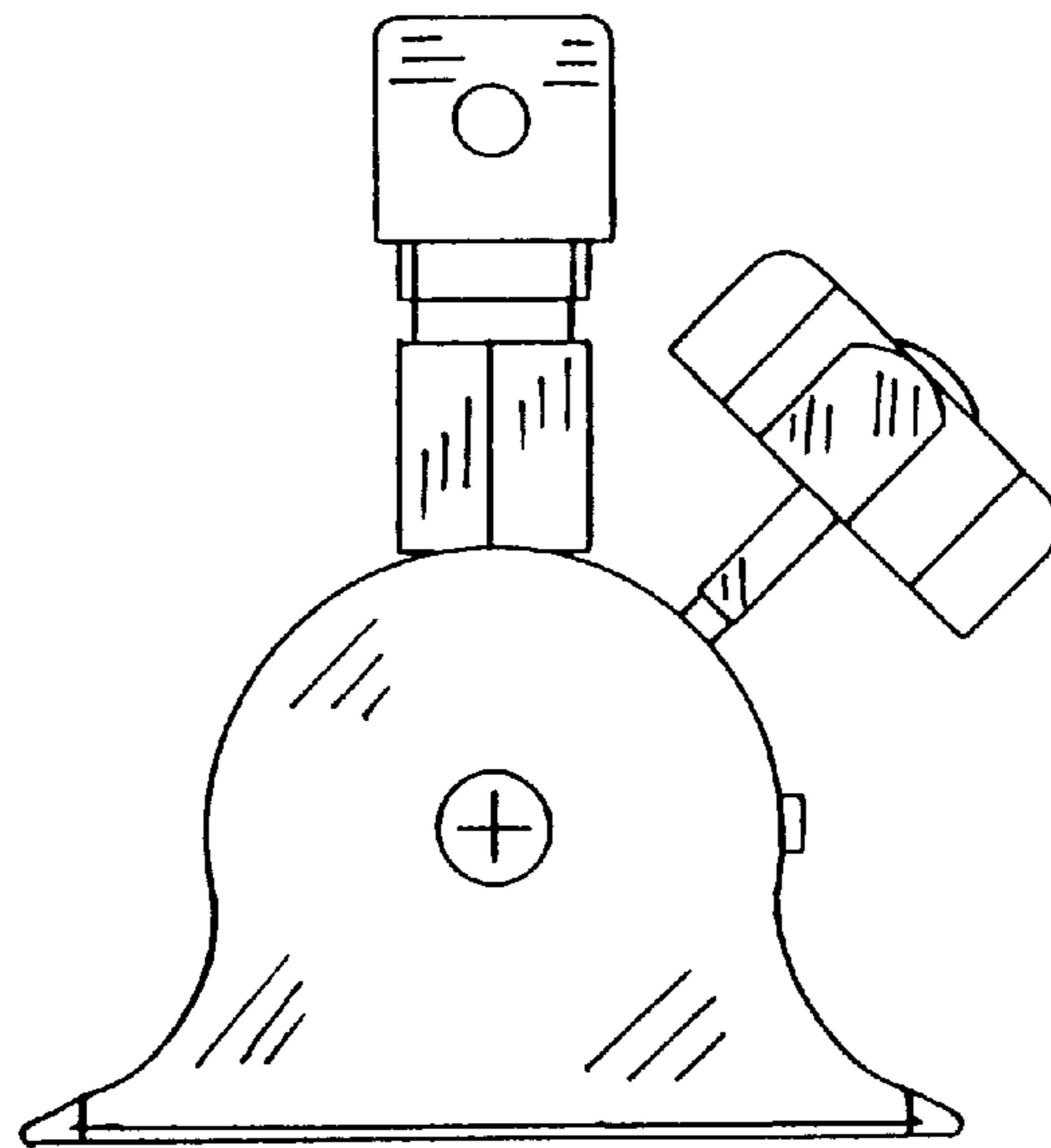
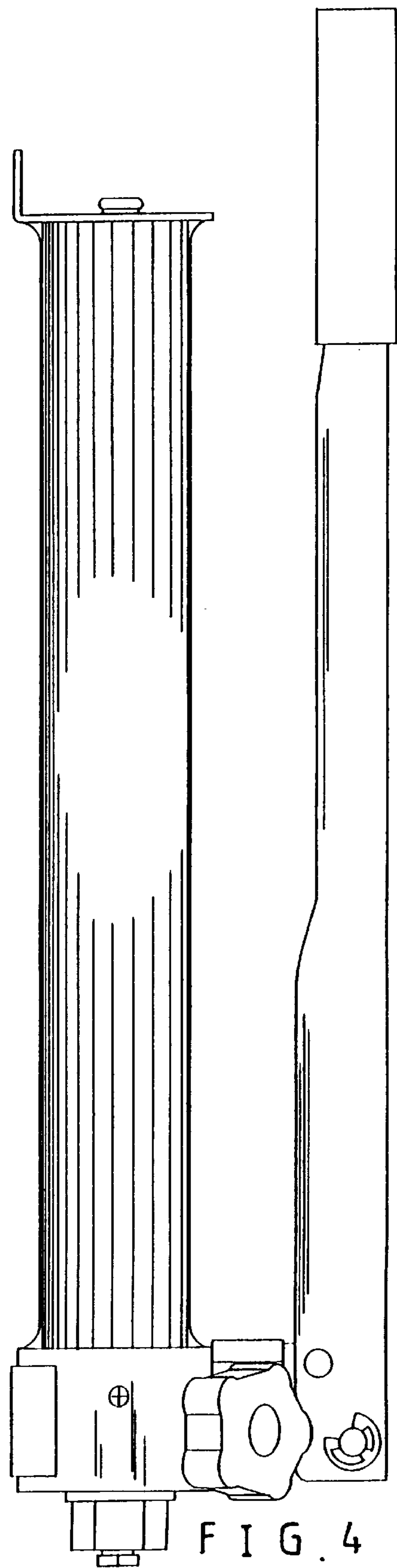
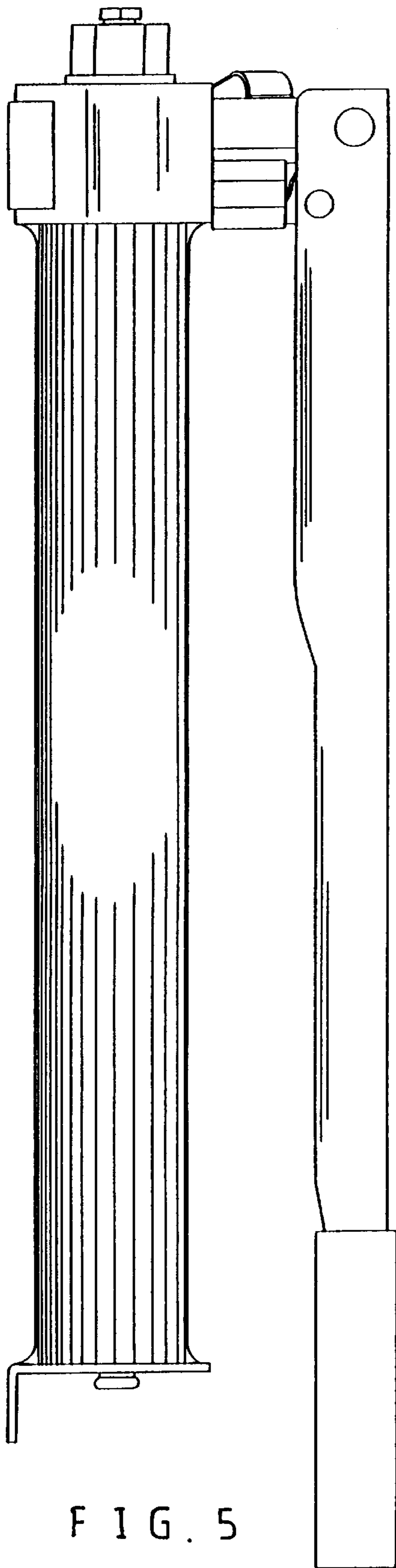


FIG. 3



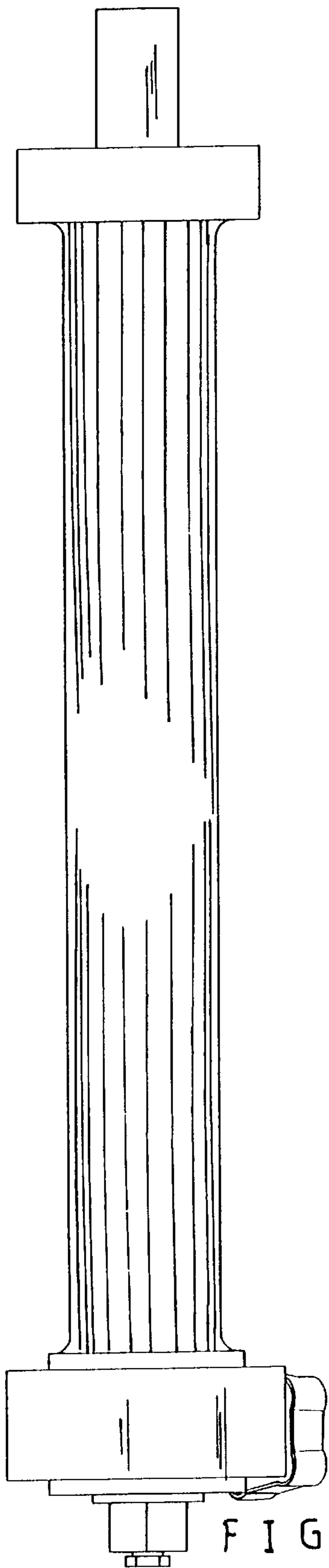


FIG. 7

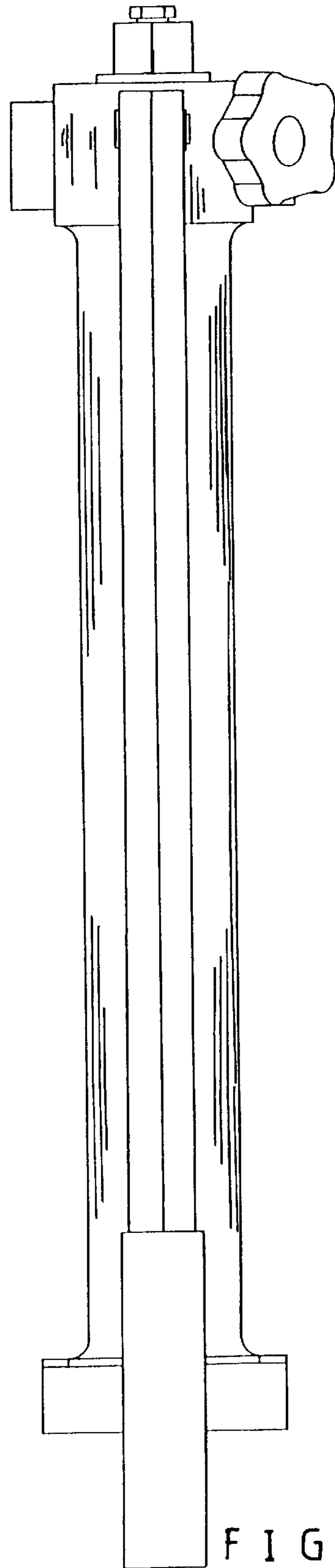


FIG. 6