



US00D440729S

(12) **United States Design Patent**
Piner et al.

(10) **Patent No.: US D440,729 S**

(45) **Date of Patent: ** Apr. 17, 2001**

(54) **SAND BAGGING DEVICE**

(75) Inventors: **Matthew Hain Piner**, 2514 Capitol Ave., Sacramento, CA (US) 95816; **James Earl Schiller**, El Dorado Hills, CA (US); **Stefan Norman Smyle**, Rancho Cordova, CA (US); **Jeremy J. Ramirez**, Yuba City, CA (US)

(73) Assignee: **Matthew Hain Piner**, Sacramento, CA (US)

(**) Term: **14 Years**

(21) Appl. No.: **29/107,746**

(22) Filed: **Jul. 12, 1999**

(51) **LOC (7) Cl.** **12-05**

(52) **U.S. Cl.** **D34/28; D34/6**

(58) **Field of Search** D34/1, 5, 4, 6, D34/10, 11; 383/33, 34, 36; 220/908, 909, 910, 911; 248/95, 97, 99, 100, 101

(56) **References Cited**

U.S. PATENT DOCUMENTS

112,727	3/1871	Lum .	
D. 236,938	9/1975	Bowen, Jr. .	
D. 304,872	11/1989	Jebb .	
D. 308,270	5/1990	Sarabia .	
D. 309,966	8/1990	Bishop .	
D. 314,270 *	1/1991	Bryant	D34/28
D. 345,642	3/1994	Tucker et al. .	
D. 376,237	12/1996	Hayes, Sr. et al. .	
D. 387,514	12/1997	Savicki .	
D. 389,971	1/1998	Zickenberg .	
571,513	11/1896	Davidson .	
791,472	6/1905	Kaiser .	
1,167,782	1/1916	Richards .	

1,182,412	5/1916	Olesberg .	
1,234,057	7/1917	McIntyre .	
3,255,570	6/1966	Weimer .	
4,175,603 *	11/1979	Iaboni et al.	220/908 X
4,470,627 *	9/1984	Carroll et al.	248/101 X
4,832,292 *	5/1989	Beckham	248/99
5,065,965 *	11/1991	Aulabaugh	248/99
5,107,666	4/1992	Rahtican .	
5,137,316	8/1992	Foos .	
5,183,339 *	2/1993	Williams	248/99 X
5,205,107	4/1993	Herink .	
5,395,147	3/1995	Brown et al. .	
5,593,117 *	1/1997	Alexander, III	248/99 X
5,655,739	8/1997	Teh-Wah Goo .	

* cited by examiner

Primary Examiner—Cynthia E. Ramirez
(74) *Attorney, Agent, or Firm*—Bernhard Kreten

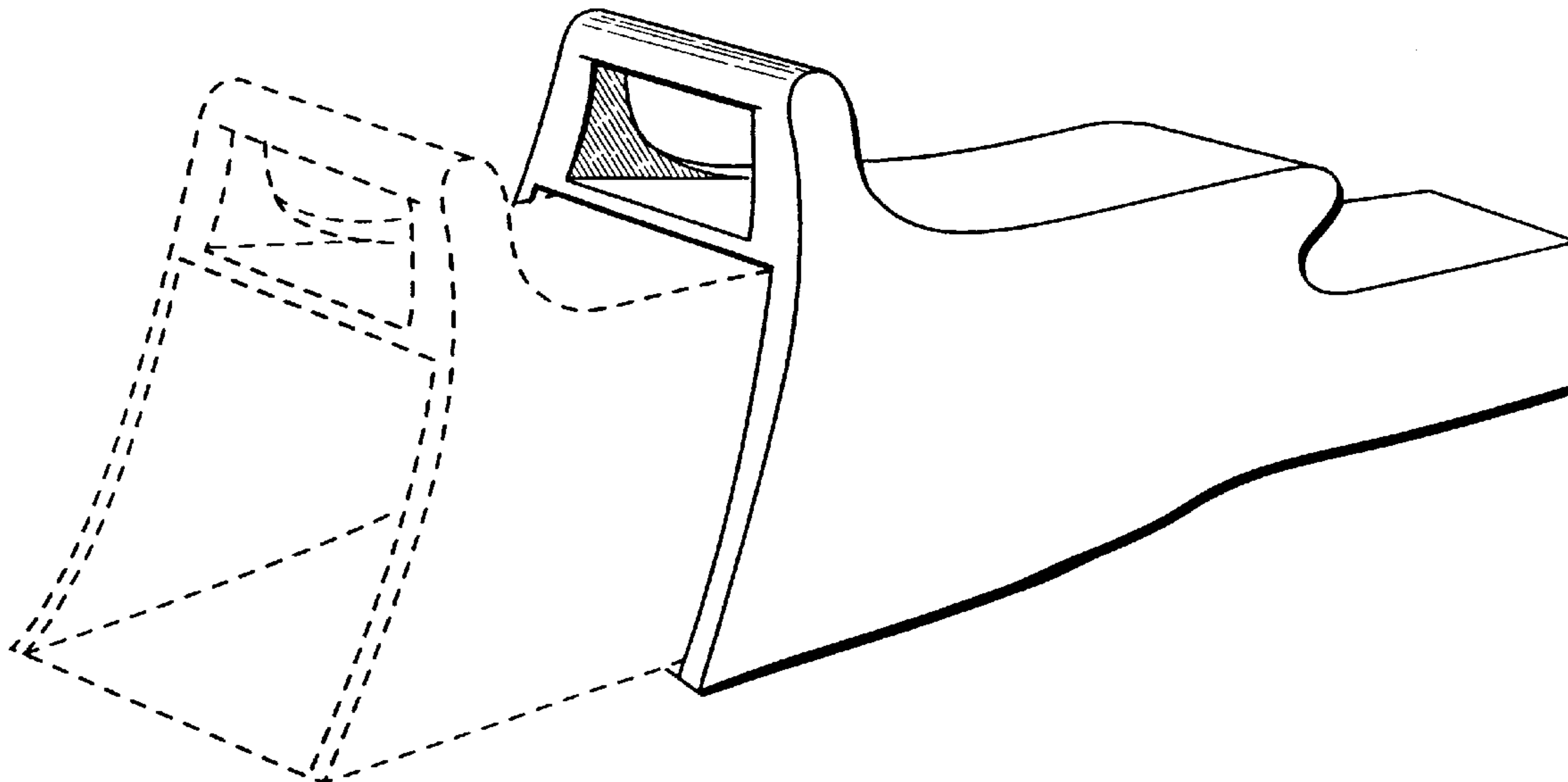
(57) **CLAIM**

The ornamental design for a sand bagging device, as shown and described.

DESCRIPTION

FIG. 1 is a perspective view of a sand bagging device with a bag shown in phantom and showing my new design. FIG. 2 is a stacked view thereof. FIG. 3 is a front view thereof. FIG. 4 is a rear view thereof. FIG. 5 is a side view thereof, the opposite side being a mirror image thereof. FIG. 6 is a top view thereof; and, FIG. 7 is a bottom view thereof. The broken-line showing of environmental structure in FIGS. 1 and 2 is for illustrative purposes only and forms no part of the claimed design.

1 Claim, 3 Drawing Sheets



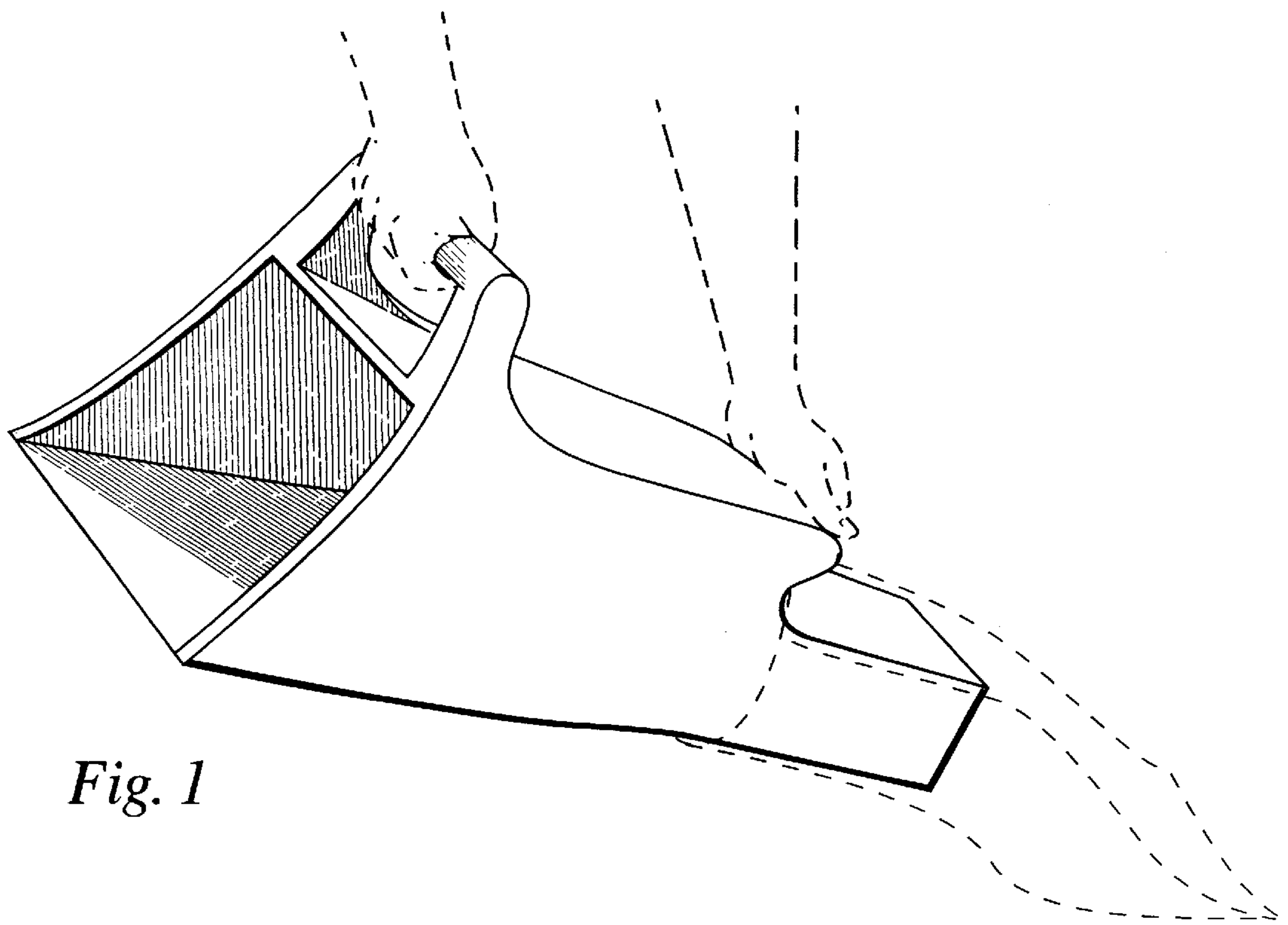


Fig. 1

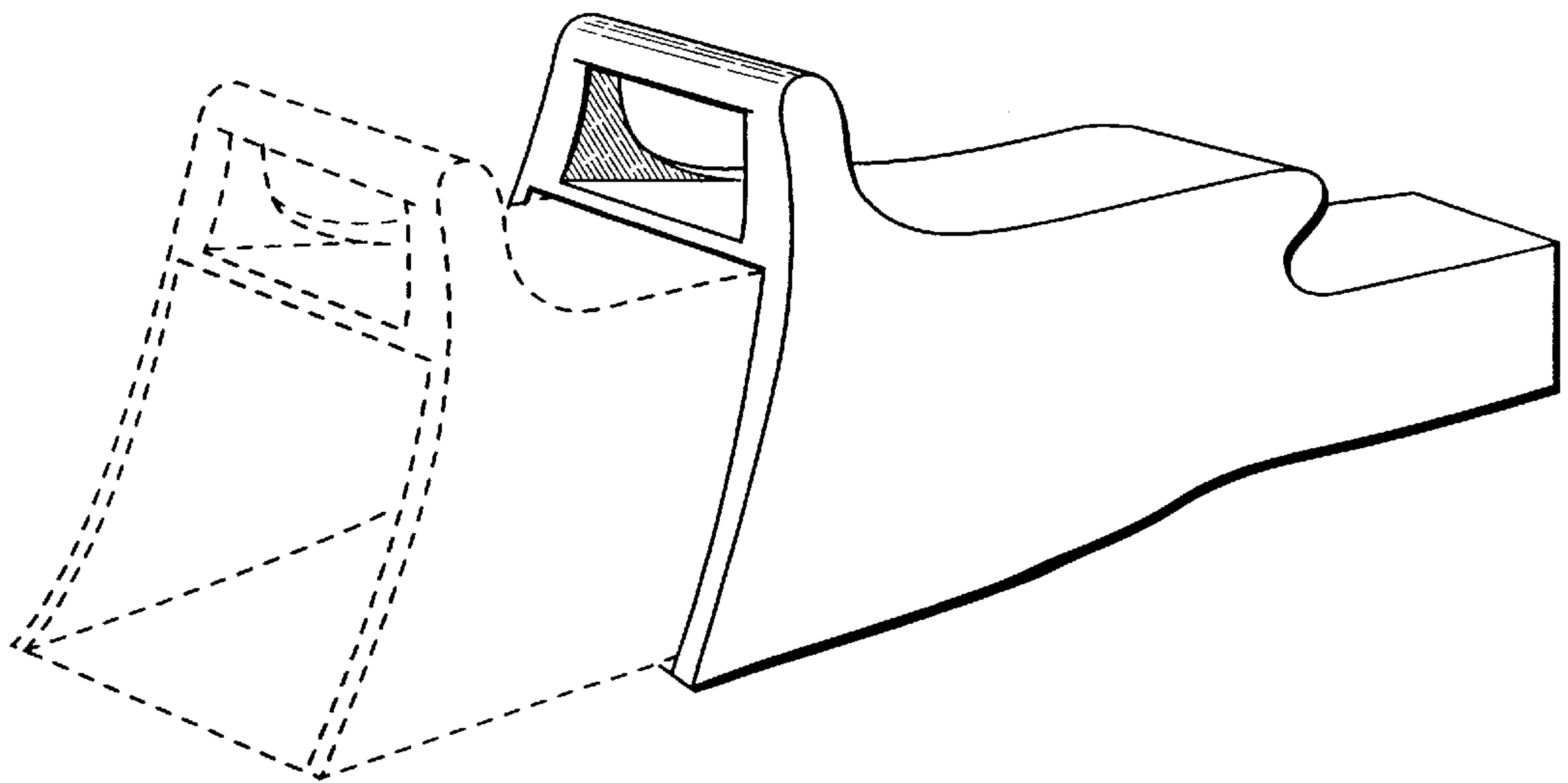


Fig. 2

Fig. 3

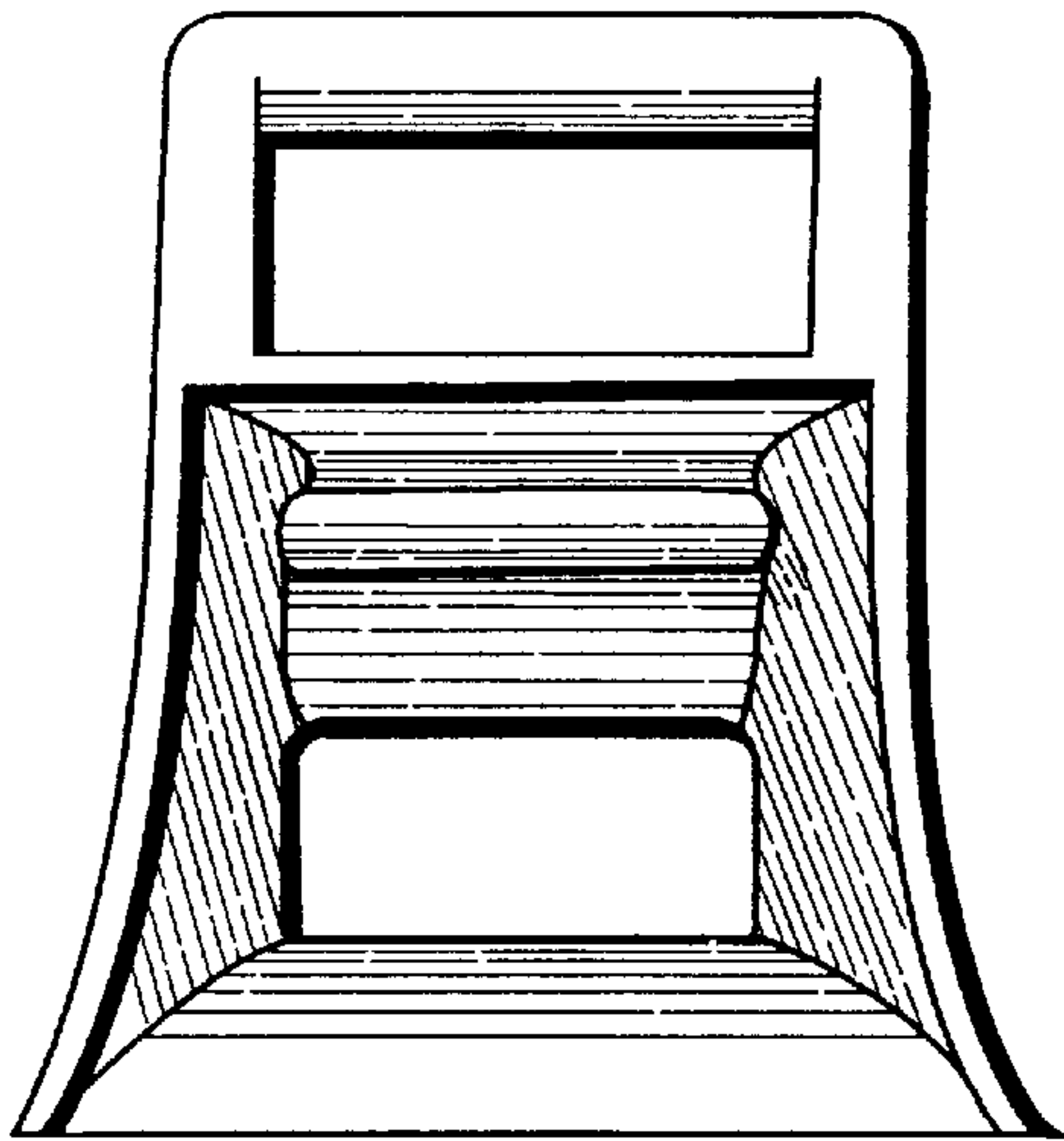


Fig. 4

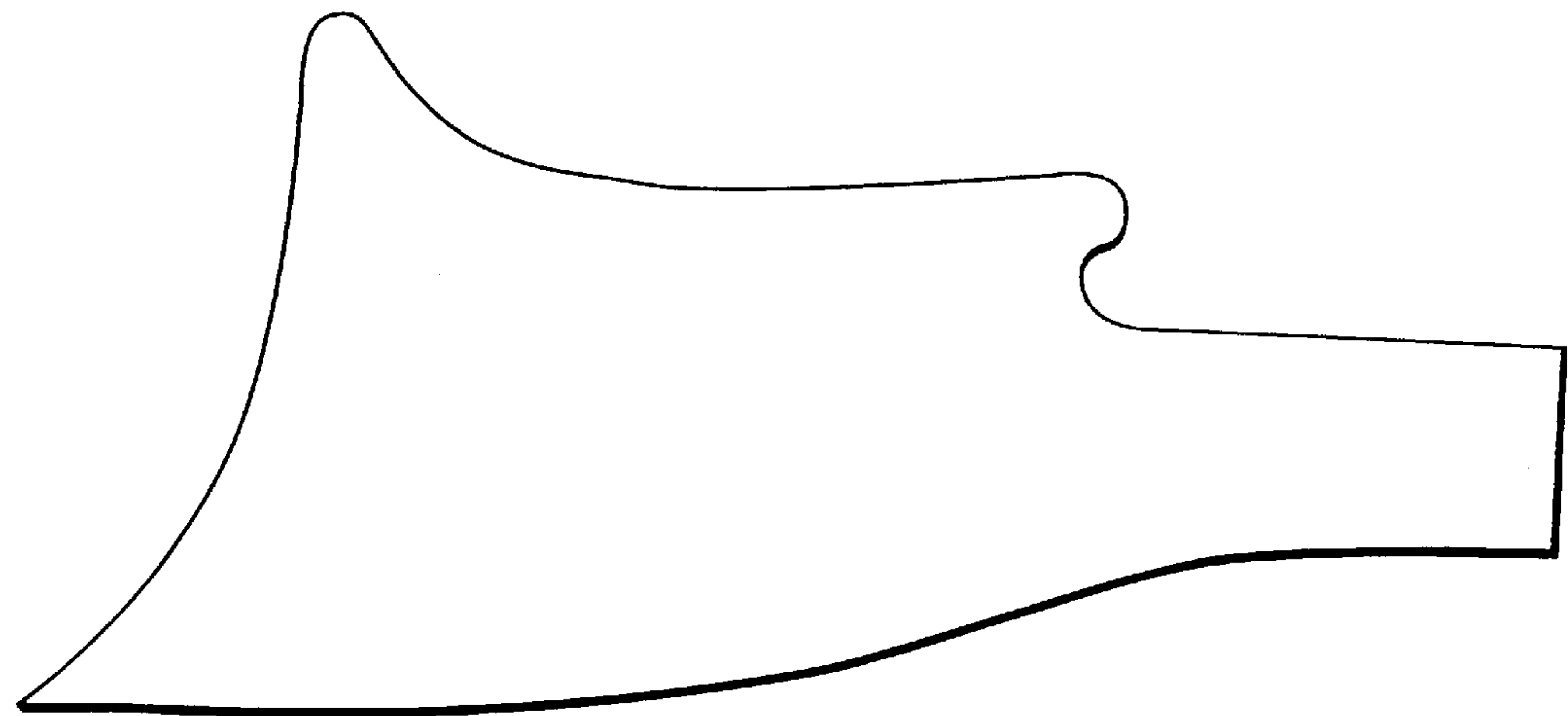
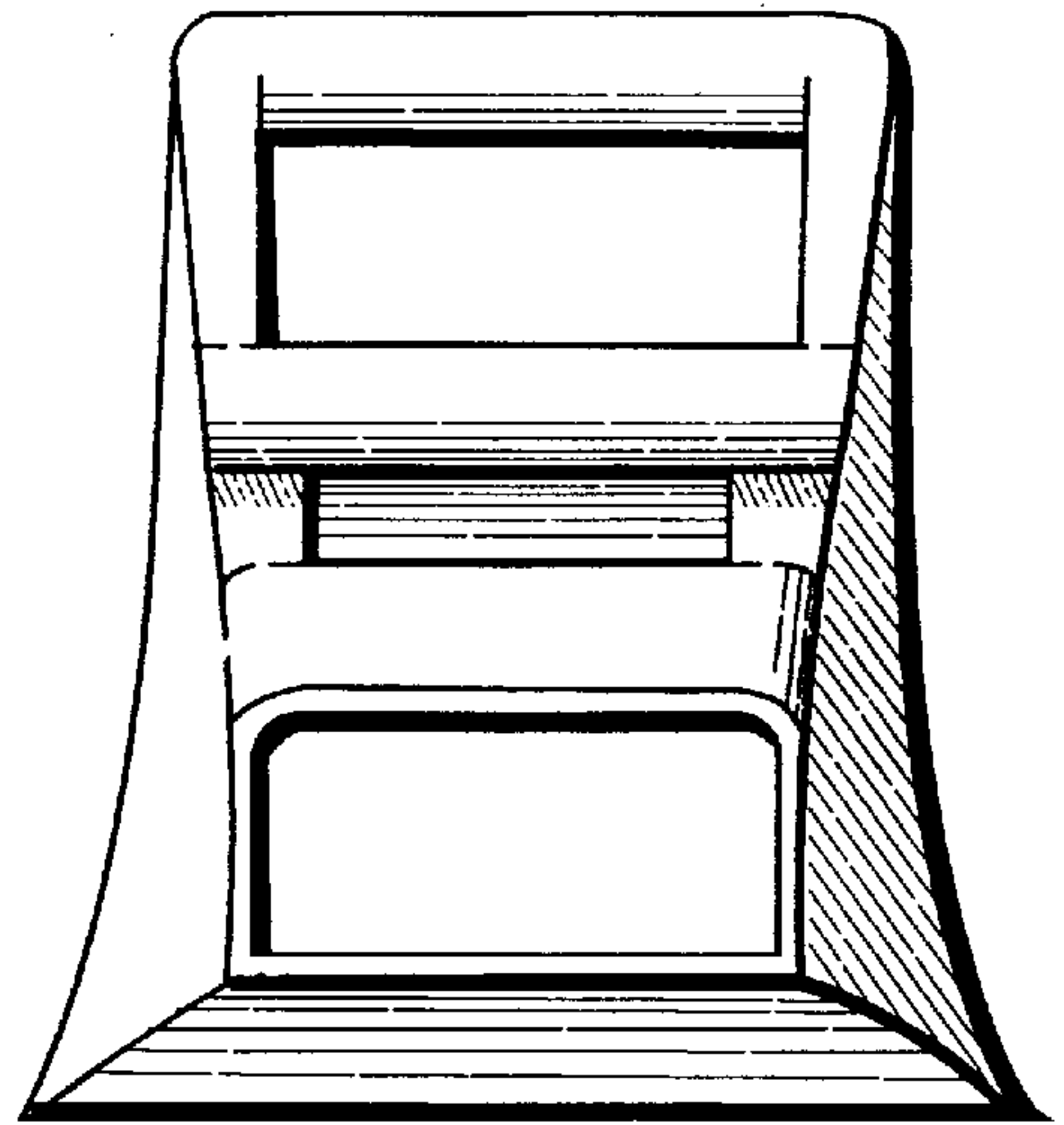


Fig. 5

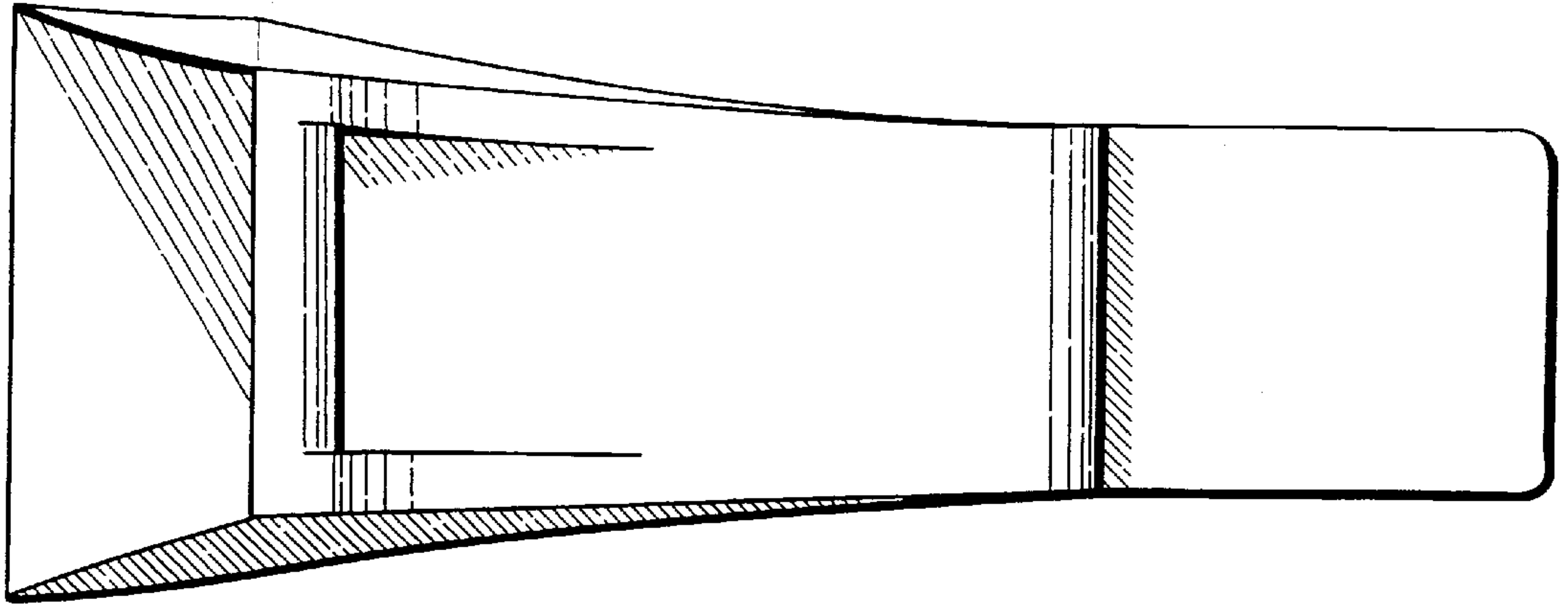


Fig. 6

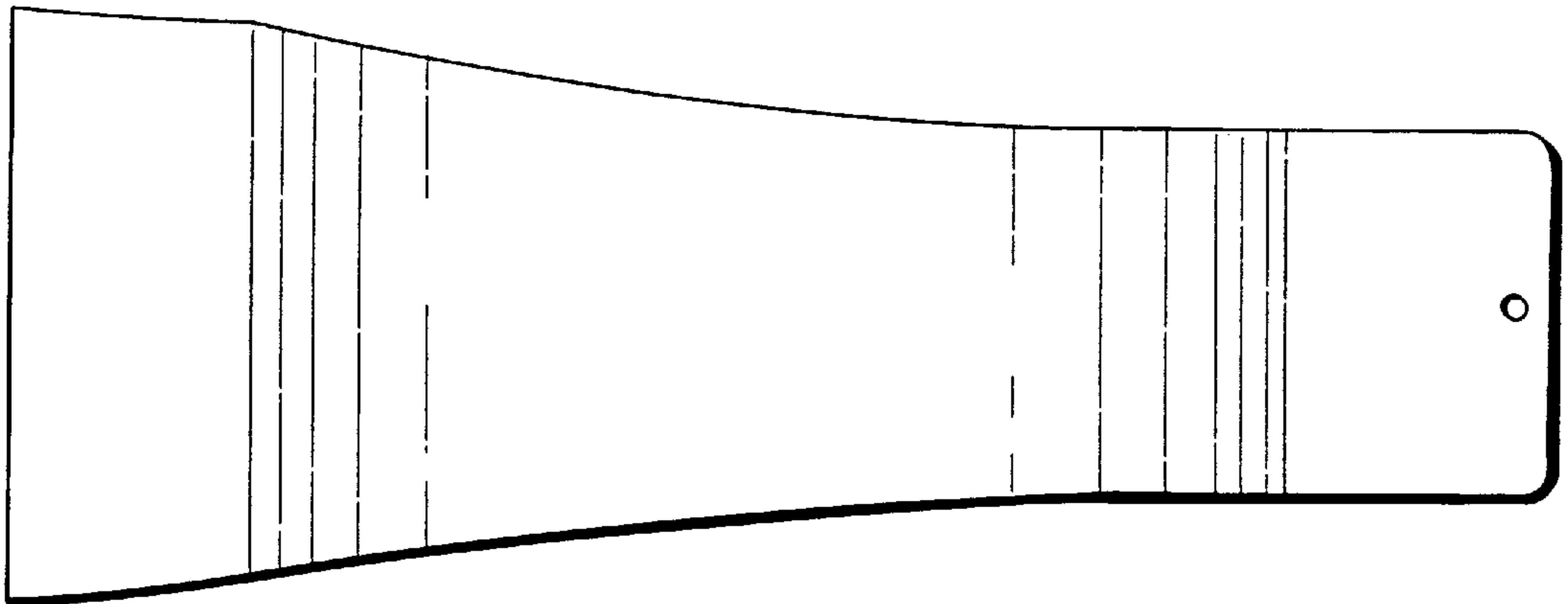


Fig. 7