



US00D440728S

(12) **United States Design Patent**
Schlangen

(10) **Patent No.:** **US D440,728 S**

(45) **Date of Patent:** **** Apr. 17, 2001**

(54) **WHEELCHAIR LIFT**

(76) Inventor: **Phillip E. Schlangen**, 1920 S. First St.,
No. 1601, Minneapolis, MN (US)
55454

(**) Term: **14 Years**

(21) Appl. No.: **29/099,578**

(22) Filed: **Jan. 25, 1999**

(51) **LOC (7) Cl.** **12-05**

(52) **U.S. Cl.** **D34/28**

(58) **Field of Search** D34/28, 31, 33,
D34/34; 414/539, 540, 541, 678, 921; 187/200,
18, 8.43; 254/9 C, 9 B, 122, 2 B, 90; 248/588,
421

(56) **References Cited**

U.S. PATENT DOCUMENTS

Re. 31,178	*	3/1983	Deacon	414/921	X
3,913,759		10/1975	Deacon	214/77	R
4,121,695	*	10/1978	Carpenter	187/18	
4,281,744	*	8/1981	Koerber	414/540	
4,476,959	*	10/1984	Tortellier	414/921	
4,534,450		8/1985	Savaria	187/9	R
4,551,060	*	11/1985	Quercy	414/921	
4,759,684	*	7/1988	Lanzillotta et al.	414/678	
5,140,923	*	8/1992	Wood	414/541	
5,180,275	*	1/1993	Czech et al.	414/541	
5,228,538	*	7/1993	Tremblay	414/921	
5,234,311		8/1993	Loduha et al.	414/546	
5,253,973		10/1993	Fretwell	414/558	
5,308,215		5/1994	Saucier	414/546	
5,445,488		8/1995	Saucier et al.	414/546	
5,556,250		9/1996	Fretwell et al.	414/558	
5,806,632	*	9/1998	Budd et al.	187/8.43	
5,947,231	*	9/1999	Raab et al.	414/921	

OTHER PUBLICATIONS

Crow River Industries, Inc.—Vangater Half a Lift is Still Better than Whole.

Associated Handicapable Vans—Rollx the Nation’s Leader Wheelchair Conversion Vans.

The Braun Corporation The Perfect Fit Personal Mobility Products 1993.

Ricon Corporation—Uni-Lite 1994, 1998.

Ricon Corporation—Clearway 1996.

Ricon Corporation—Mirage F9B 1997.

Ricon Corporation—Trimway 1996.

Ricon Corporation—Clearway 1997.

Ricon Corporation—Trimway 1994.

* cited by examiner

Primary Examiner—Cynthia E Ramirez

(74) *Attorney, Agent, or Firm*—Burd, Bartz & Gutenkauf

(57) **CLAIM**

The ornamental design for a wheelchair lift, as shown and described.

DESCRIPTION

FIG. 1 is a perspective view of the wheelchair lift showing my new design in the retracted position;

FIG. 2 is a top plan view thereof;

FIG. 3 is a right side elevational view thereof;

FIG. 4 is a left side elevational view thereof;

FIG. 5 is a front side elevational view thereof;

FIG. 6 is a rear elevational view thereof;

FIG. 7 is a bottom plan view thereof;

FIG. 8 is a perspective view of the wheelchair lift of FIG. 1 in the extended position;

FIG. 9 is a top plan view of FIG. 8;

FIG. 10 is a left side elevational view of FIG. 8;

FIG. 11 is a right side elevational view of FIG. 8;

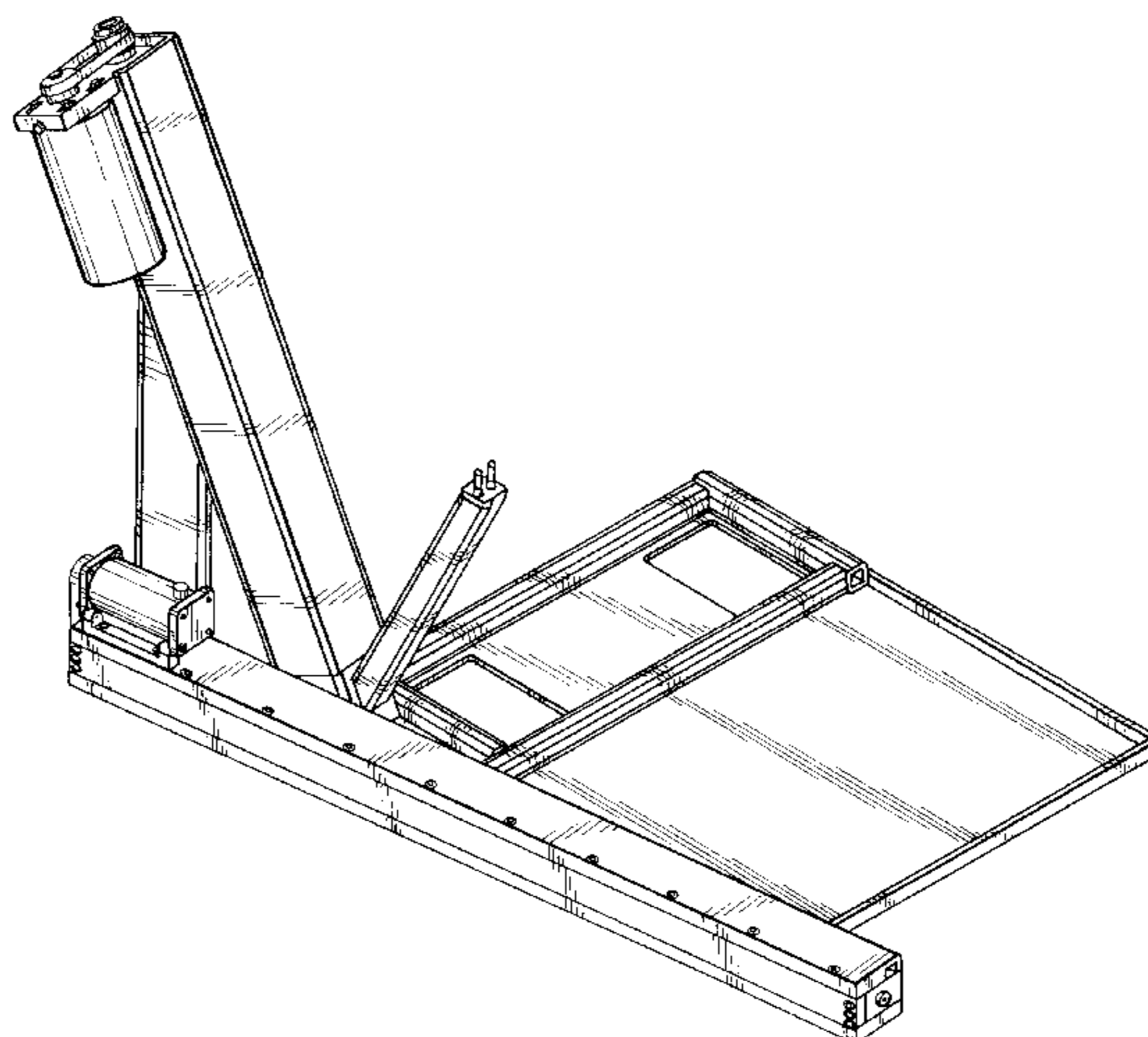
FIG. 12 is a front elevational view of FIG. 8;

FIG. 13 is a rear elevational view of FIG. 8;

FIG. 14 is a bottom plan view of FIG. 8; and,

FIG. 15 is an exploded perspective view of the wheelchair lift of FIG. 8.

1 Claim, 15 Drawing Sheets



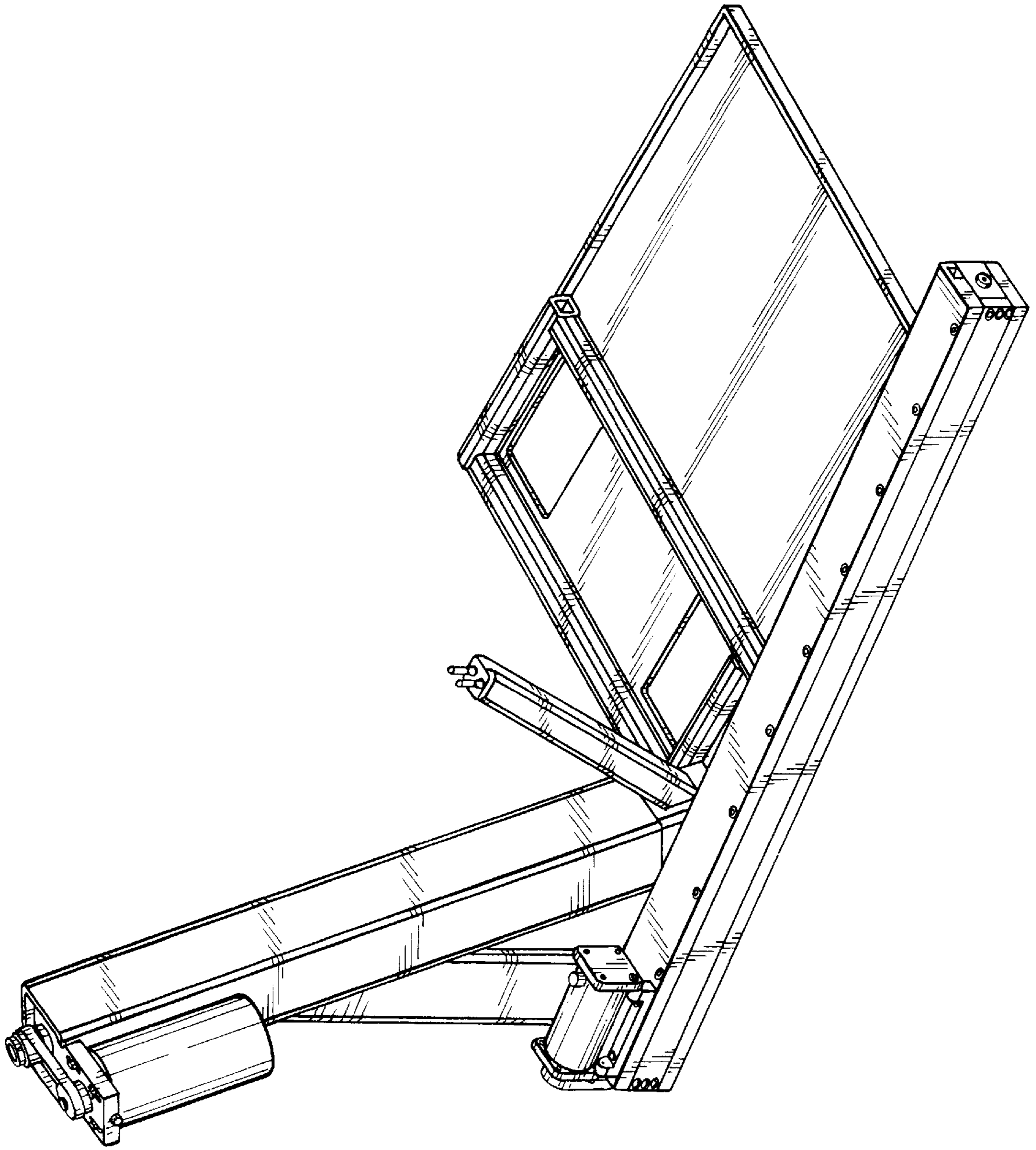


FIG. 1

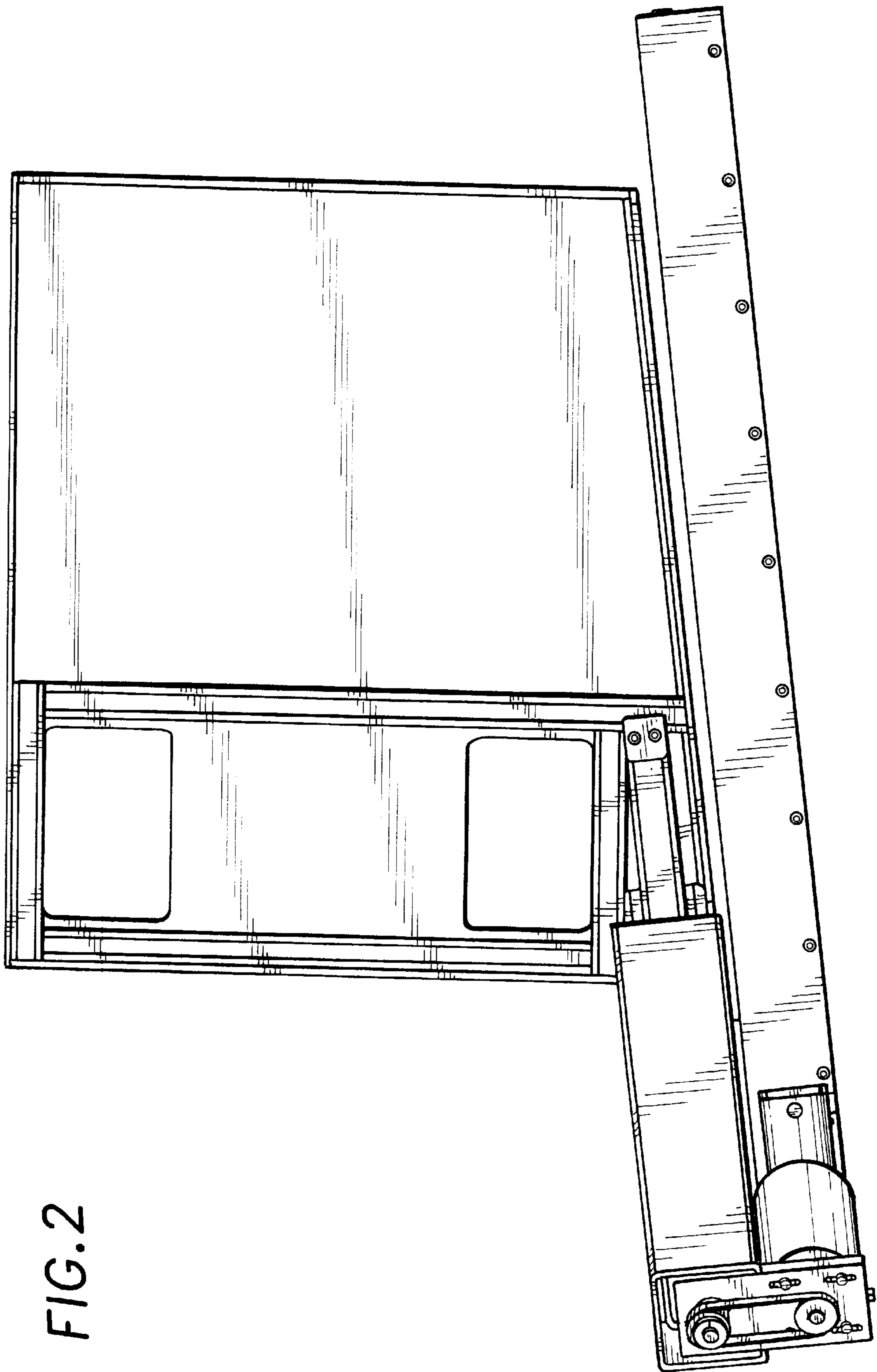


FIG. 2

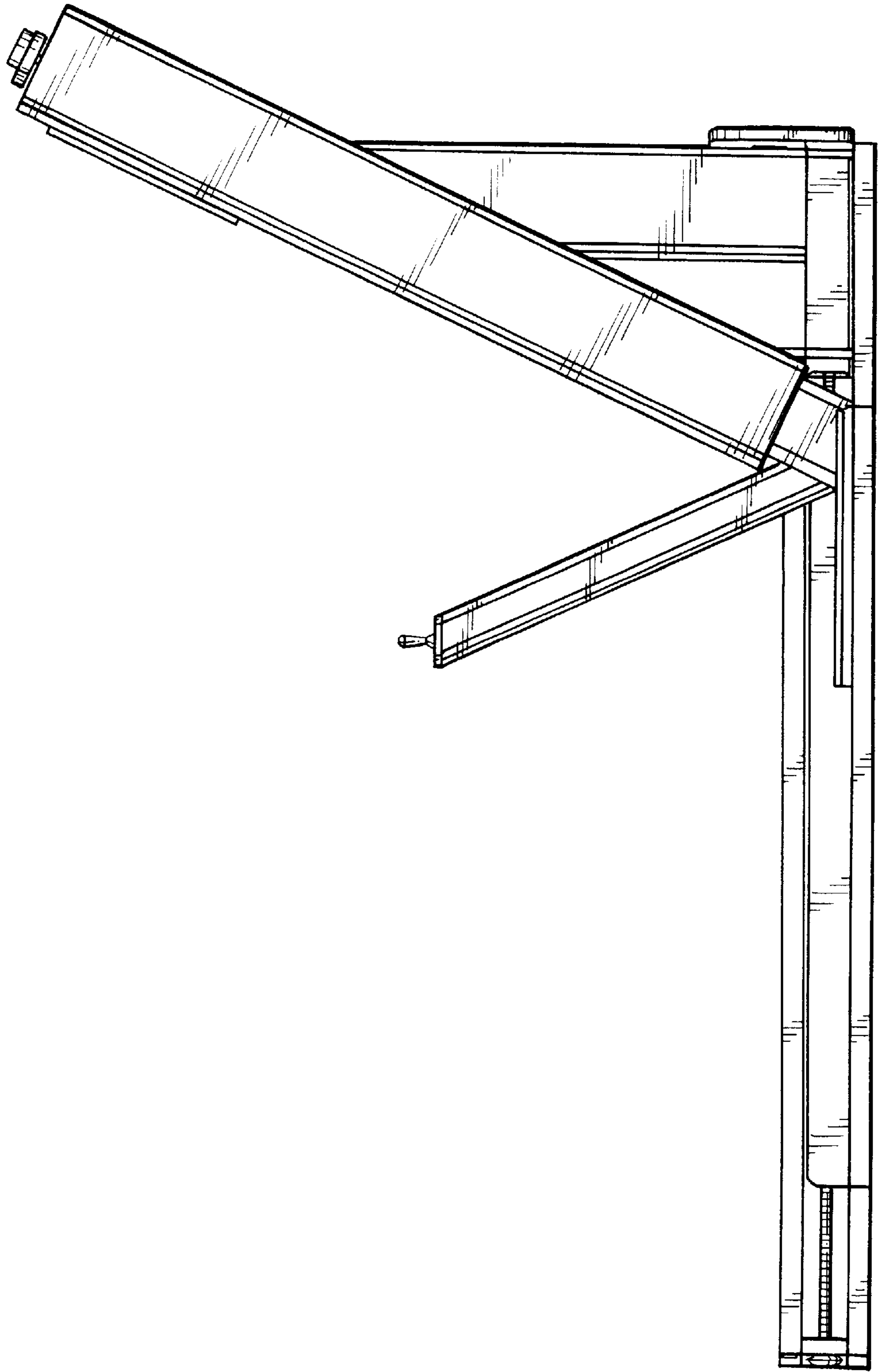


FIG. 3

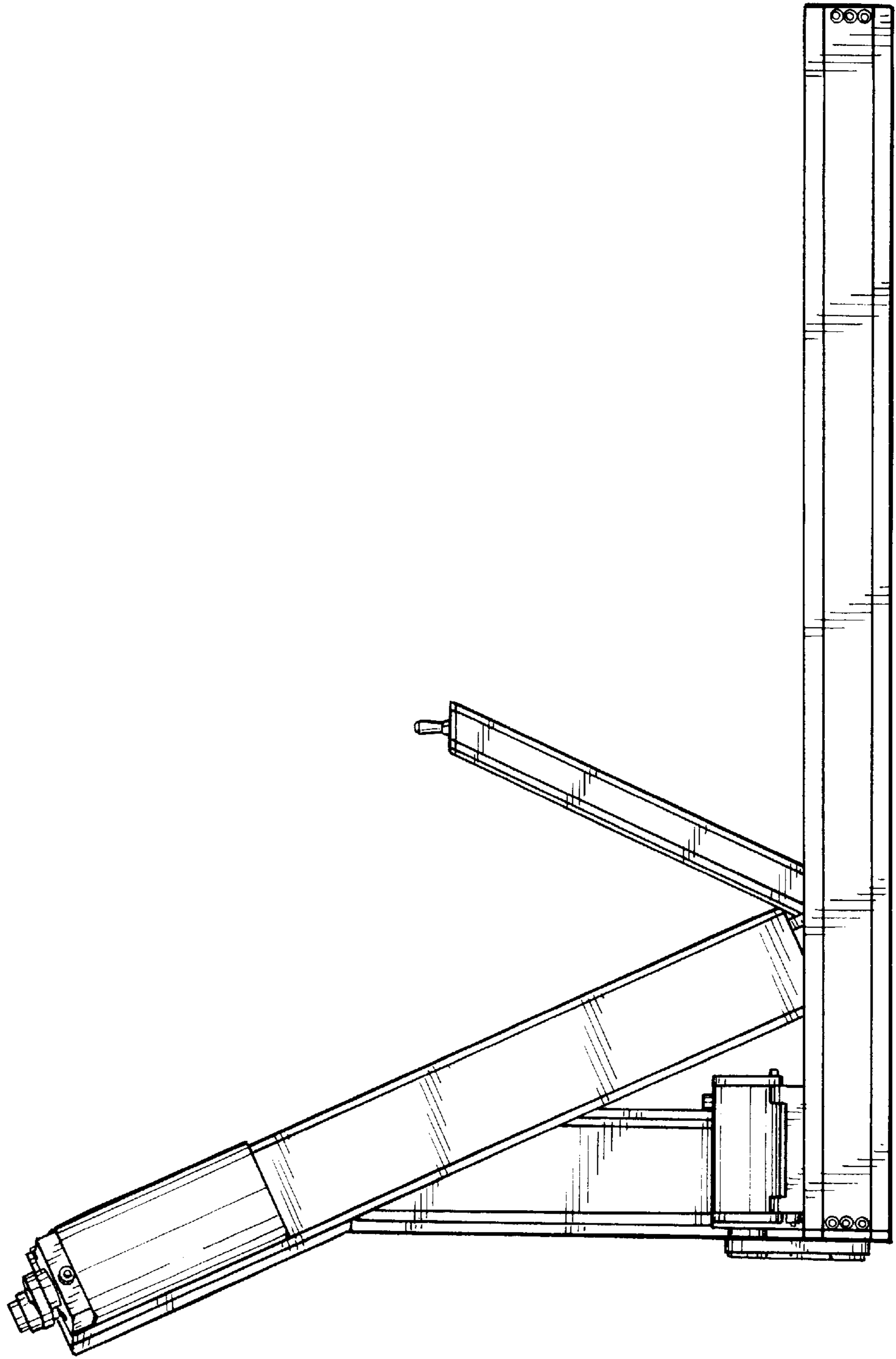


FIG. 4

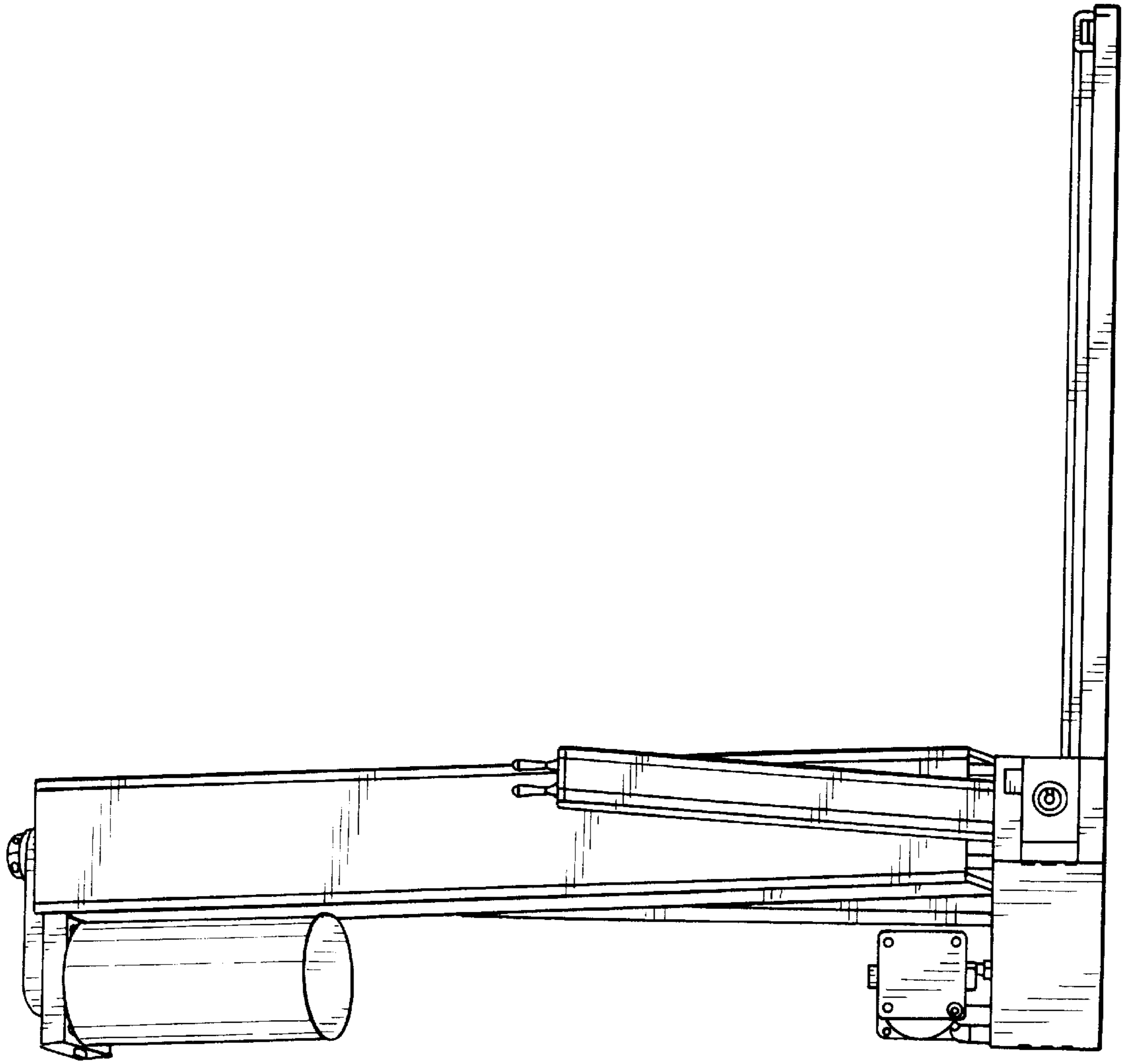


FIG. 5

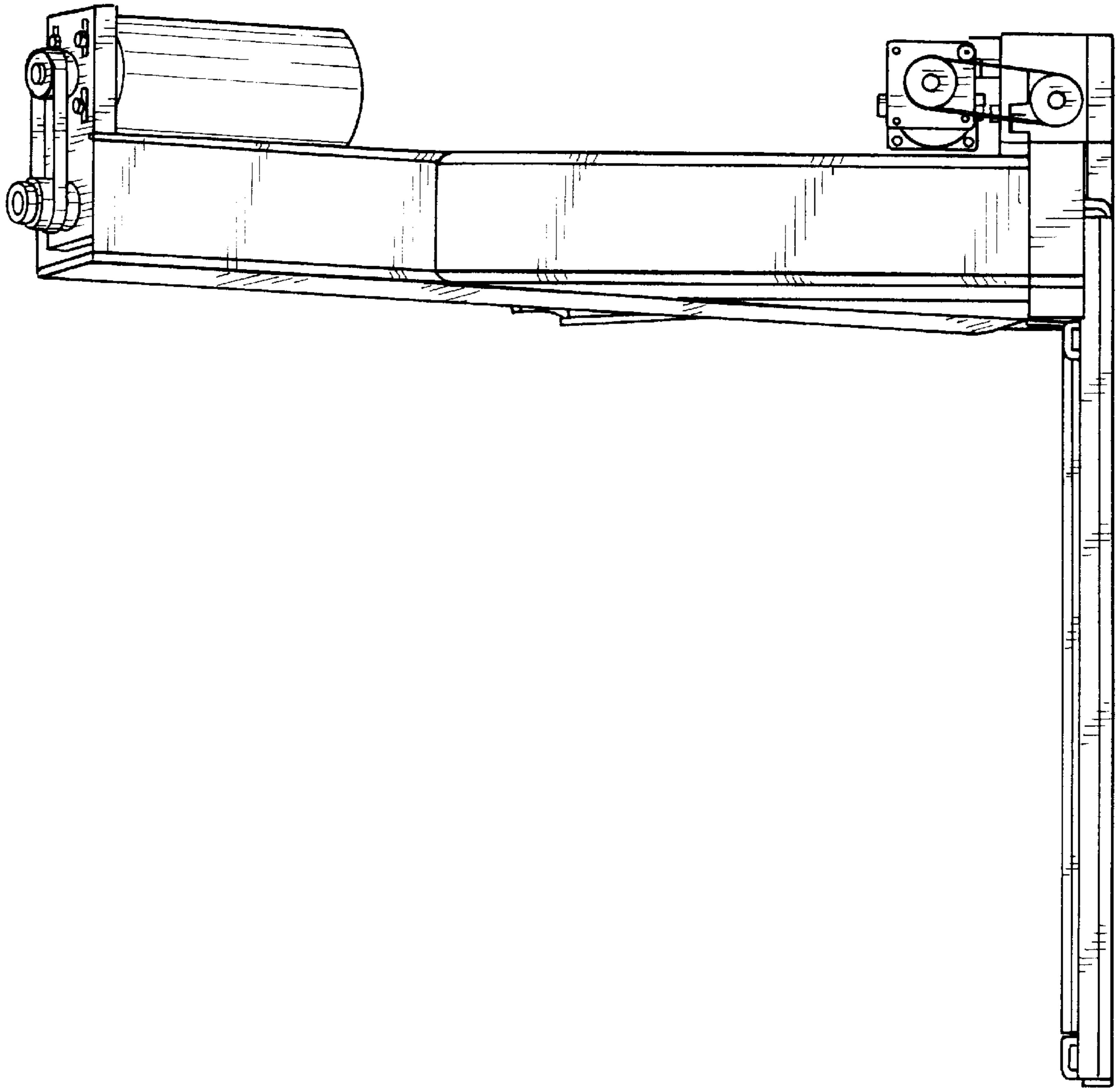


FIG. 6

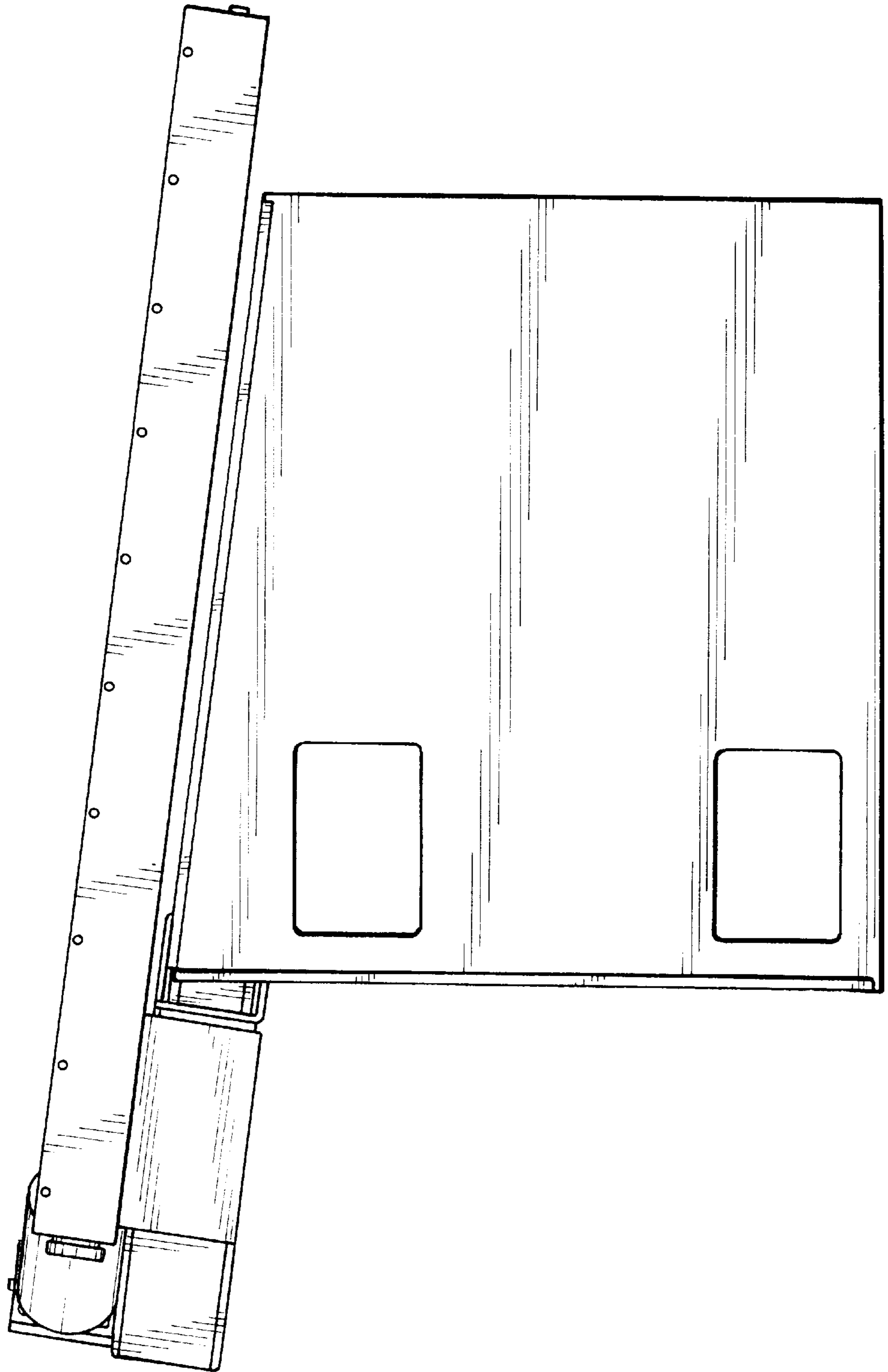


FIG. 7

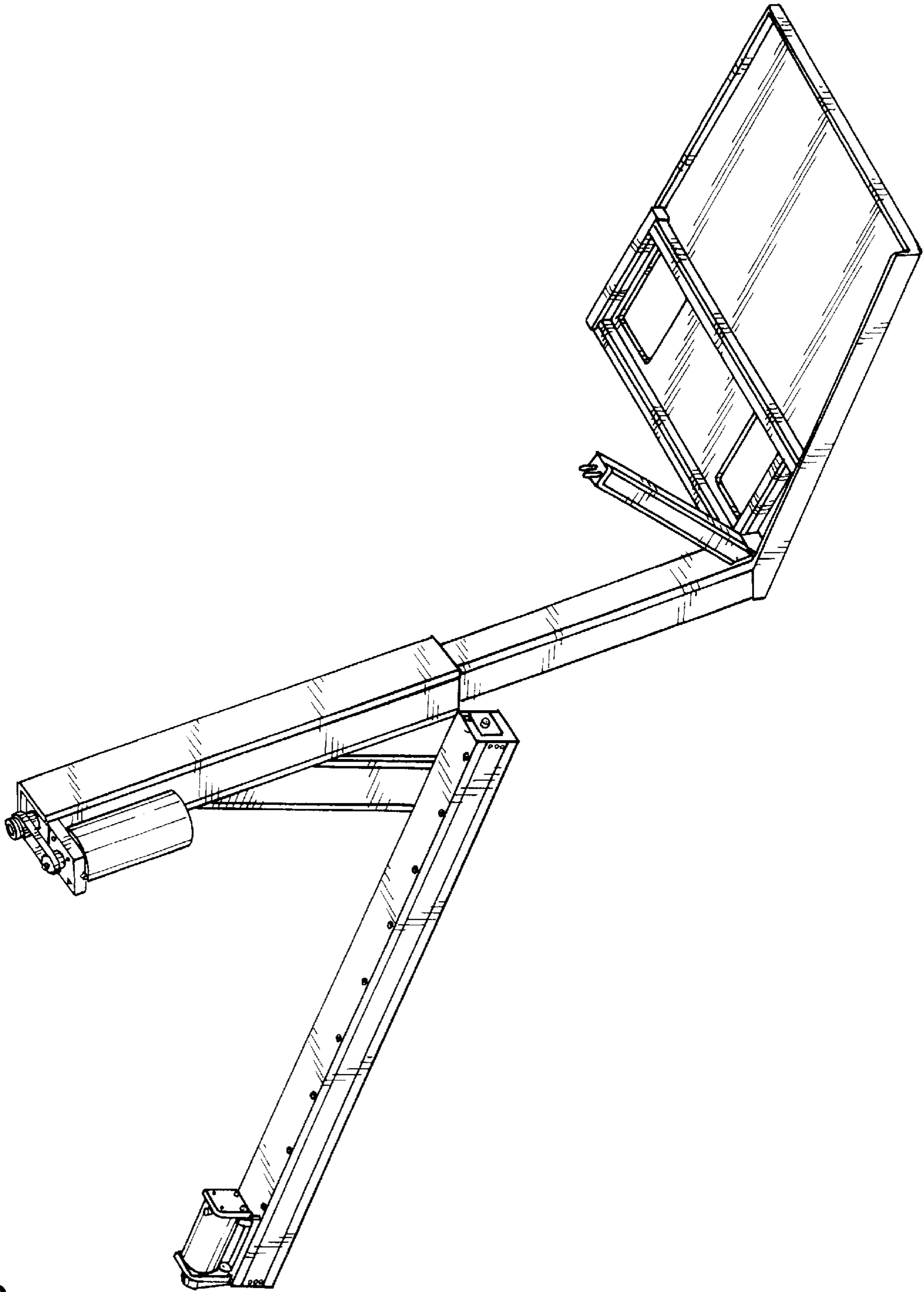


FIG. 8

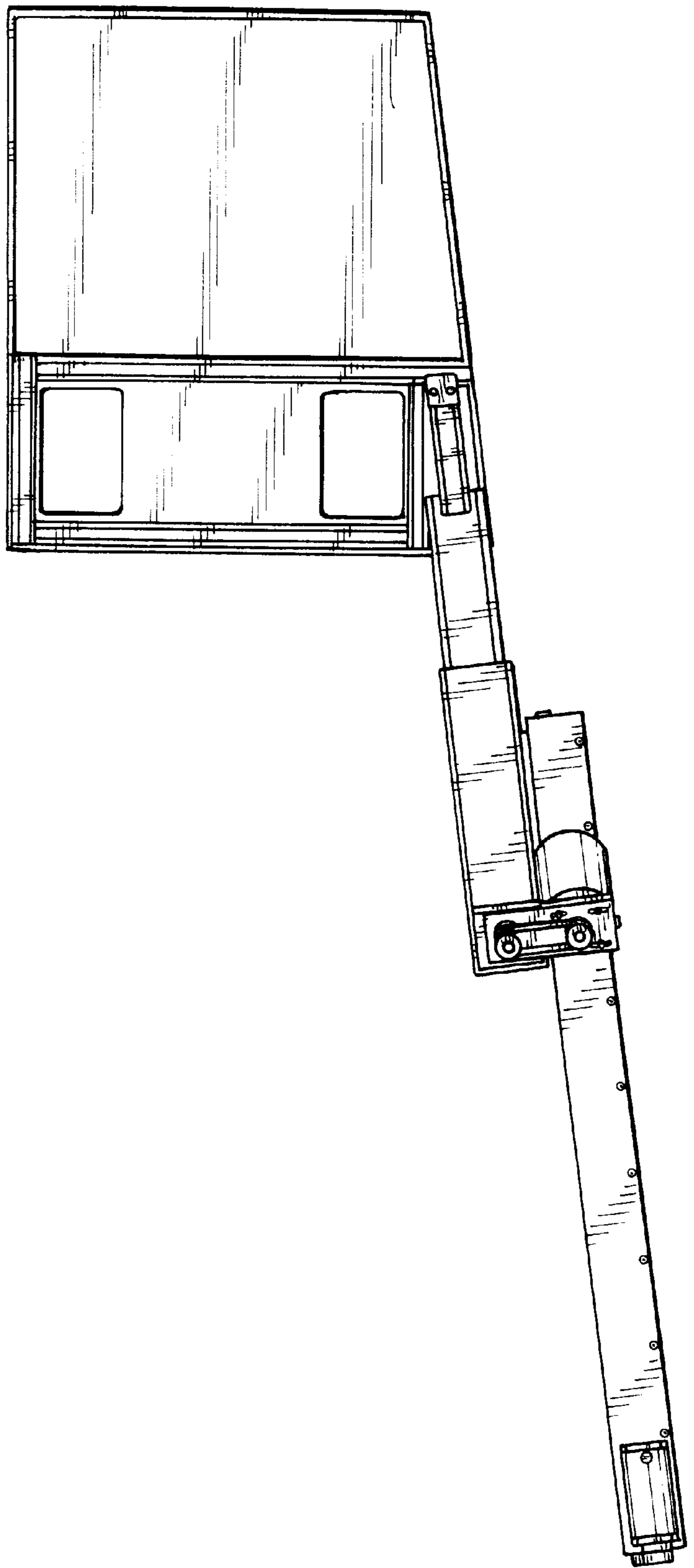


FIG. 9

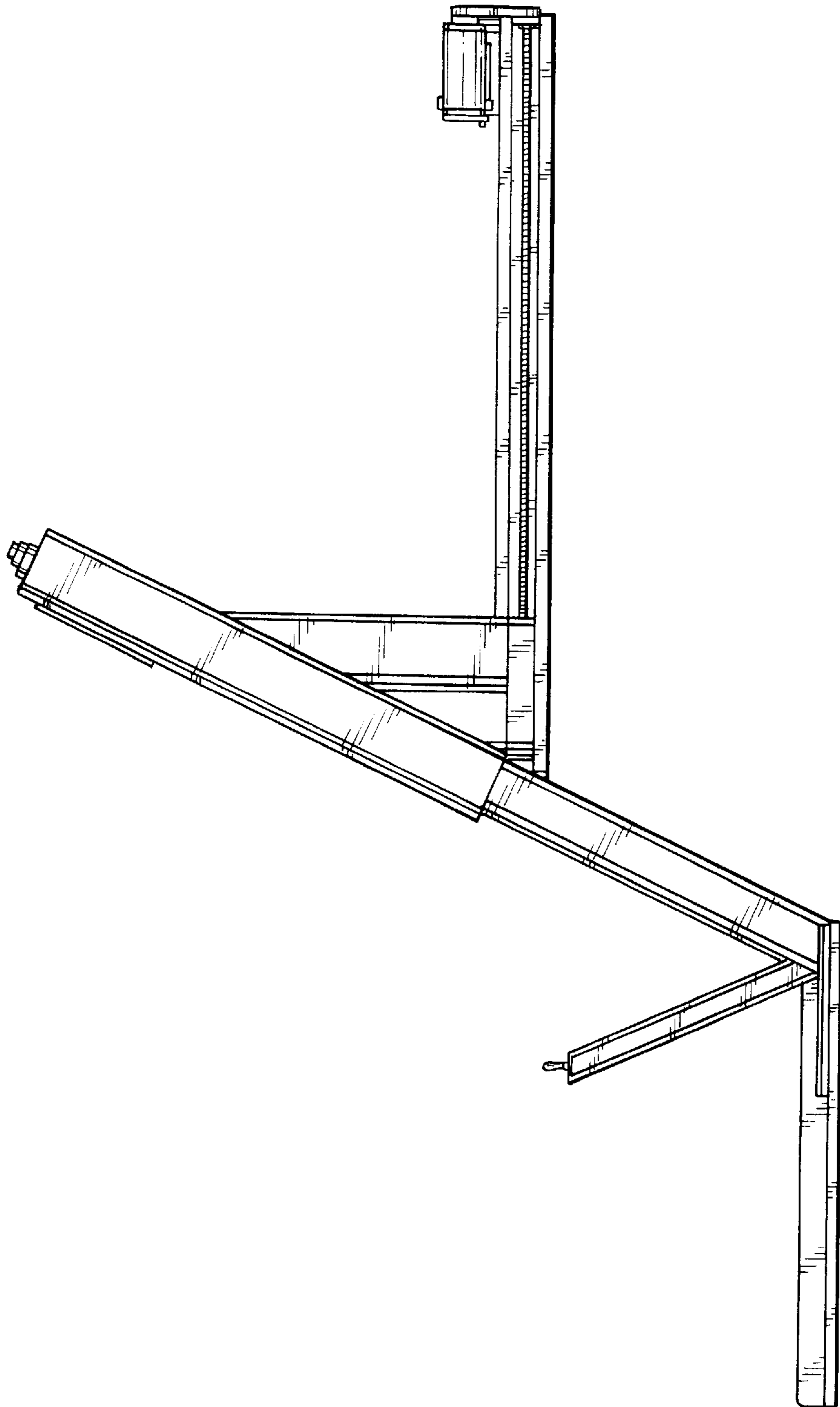


FIG. 10

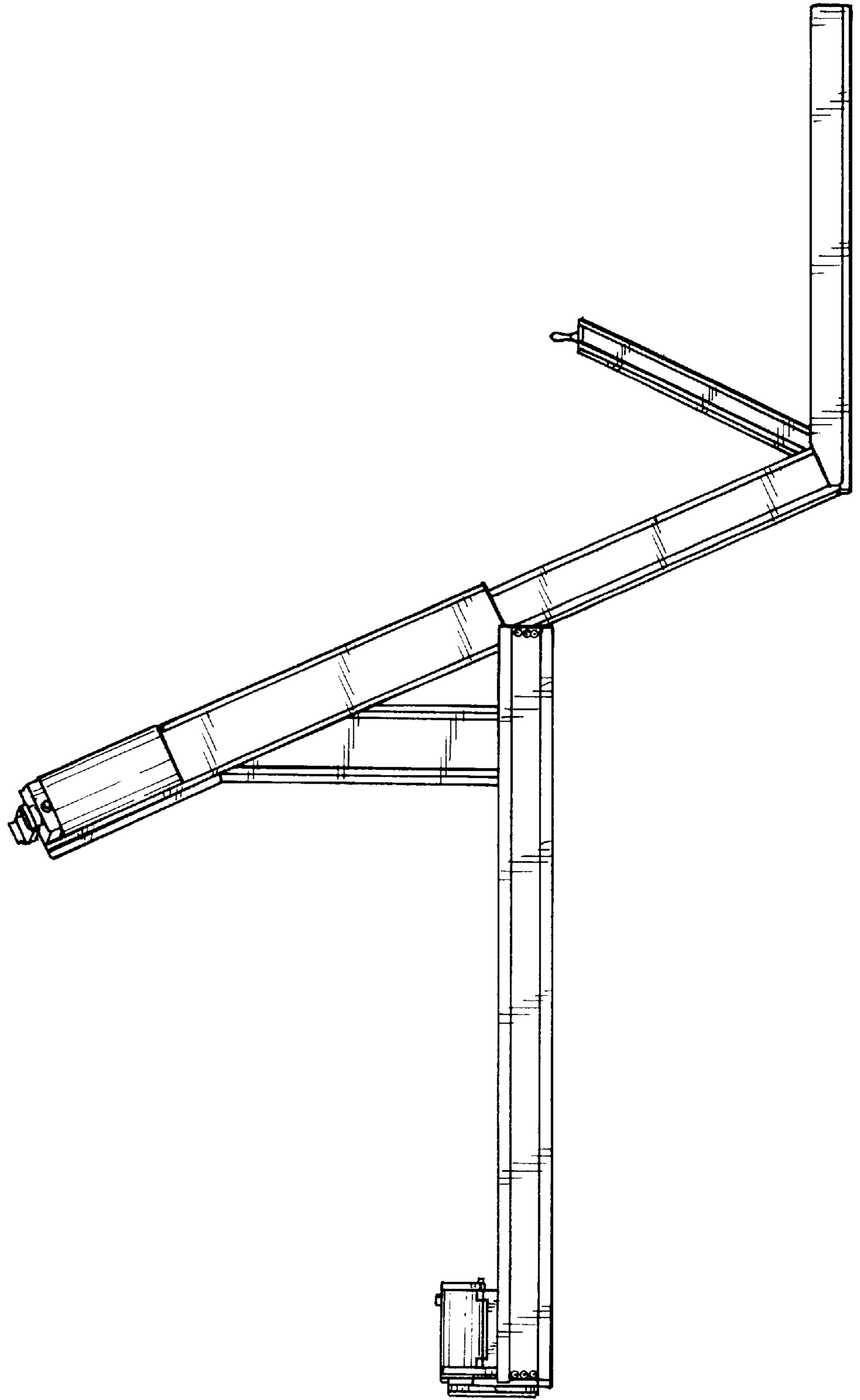


FIG. 11

FIG. 12

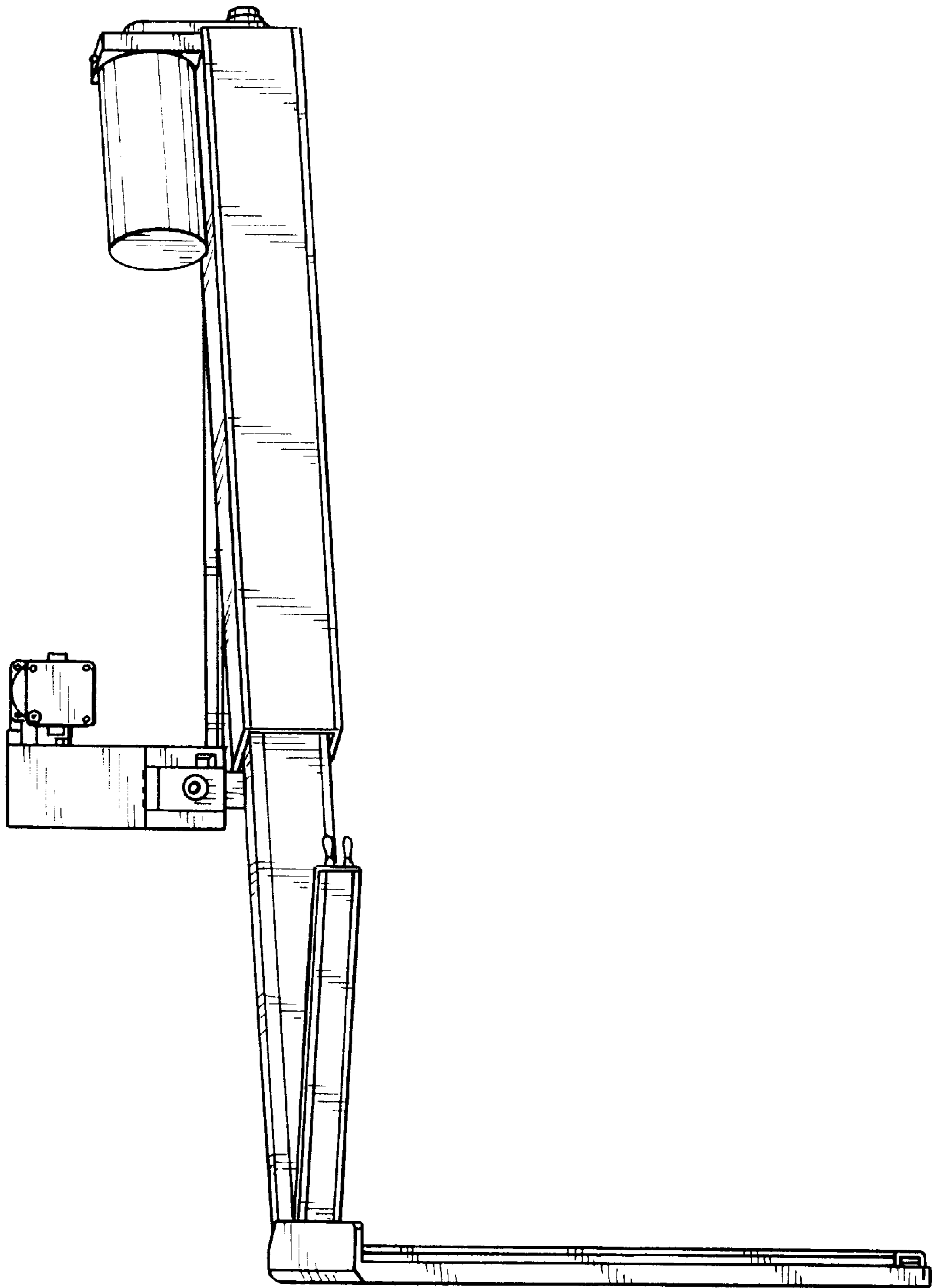
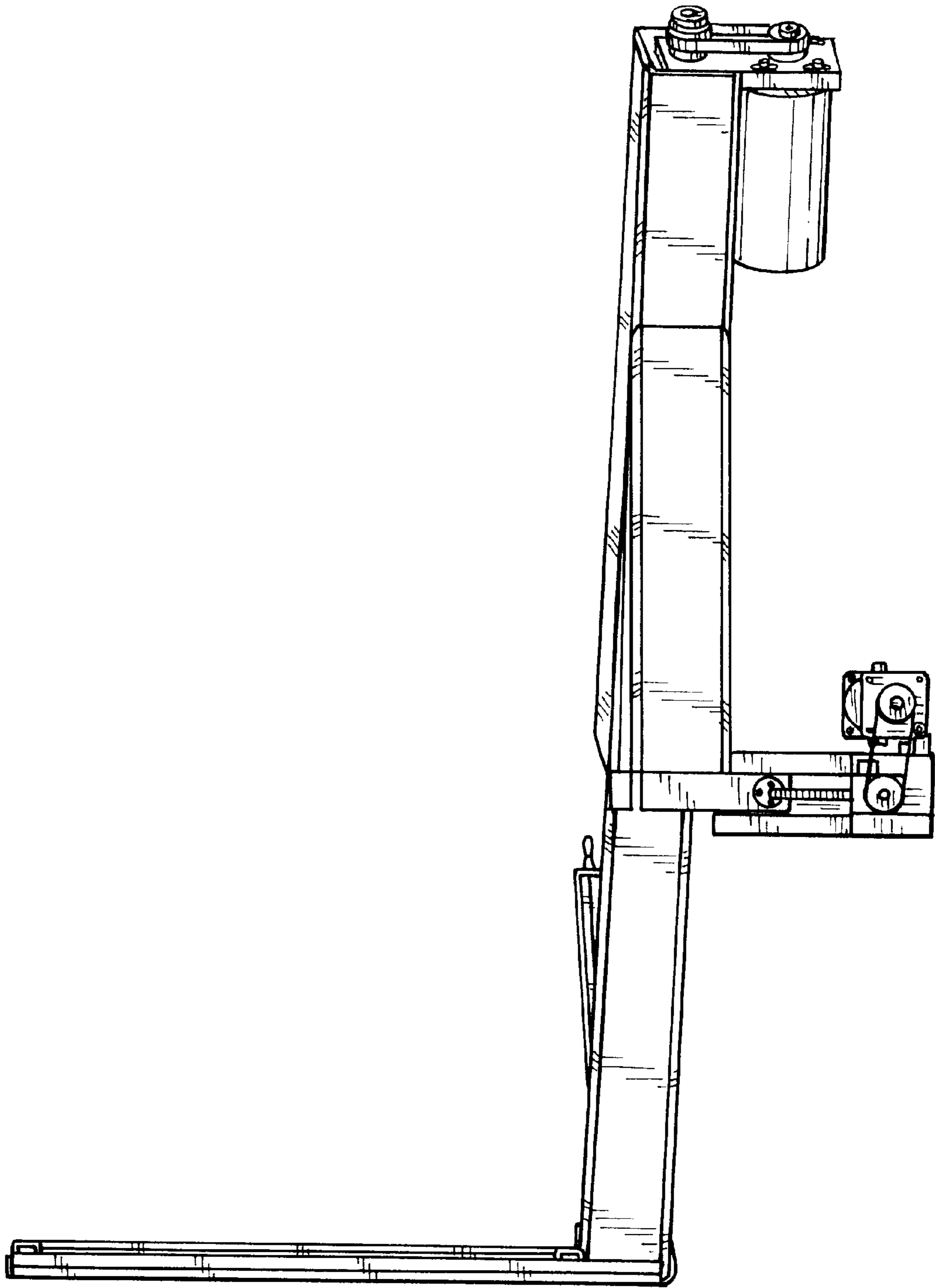


FIG. 13



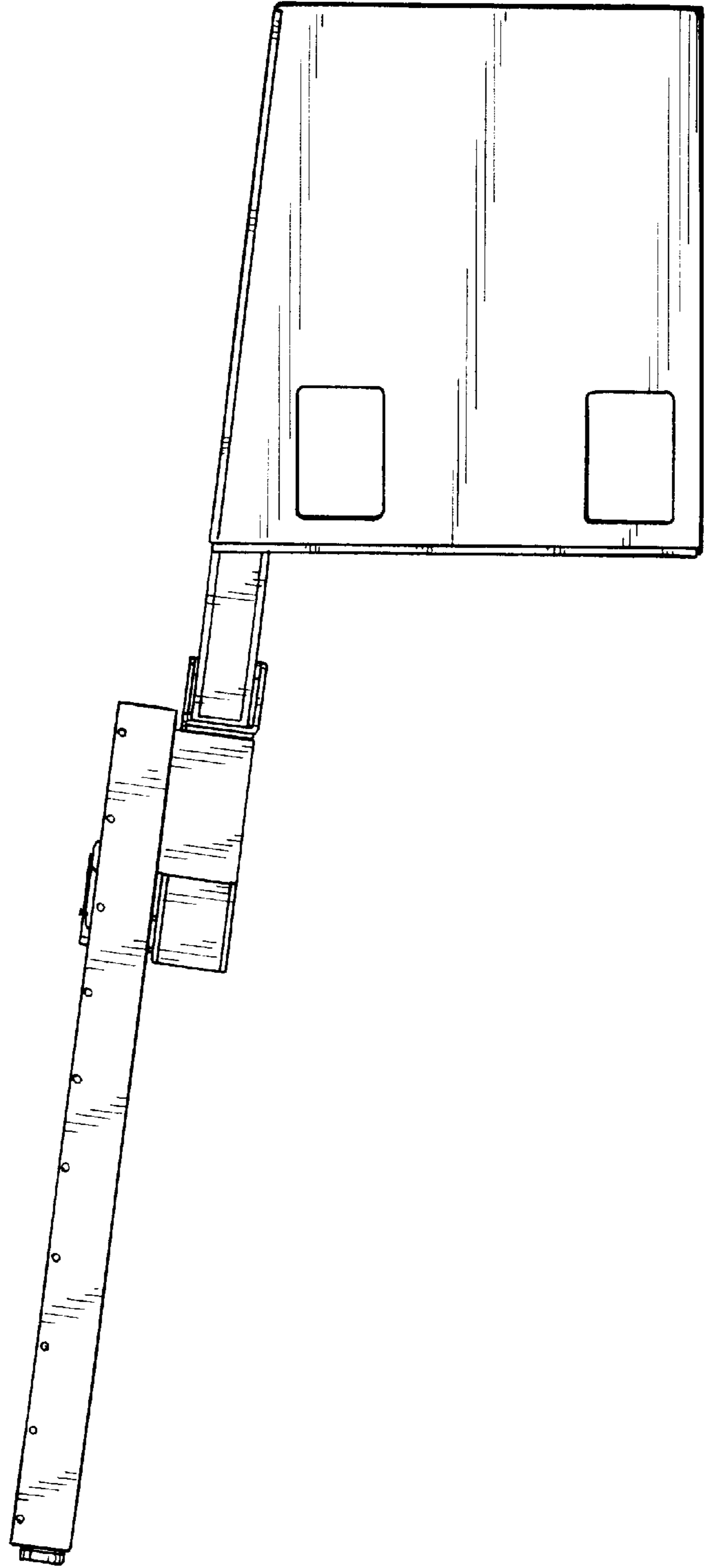


FIG. 14

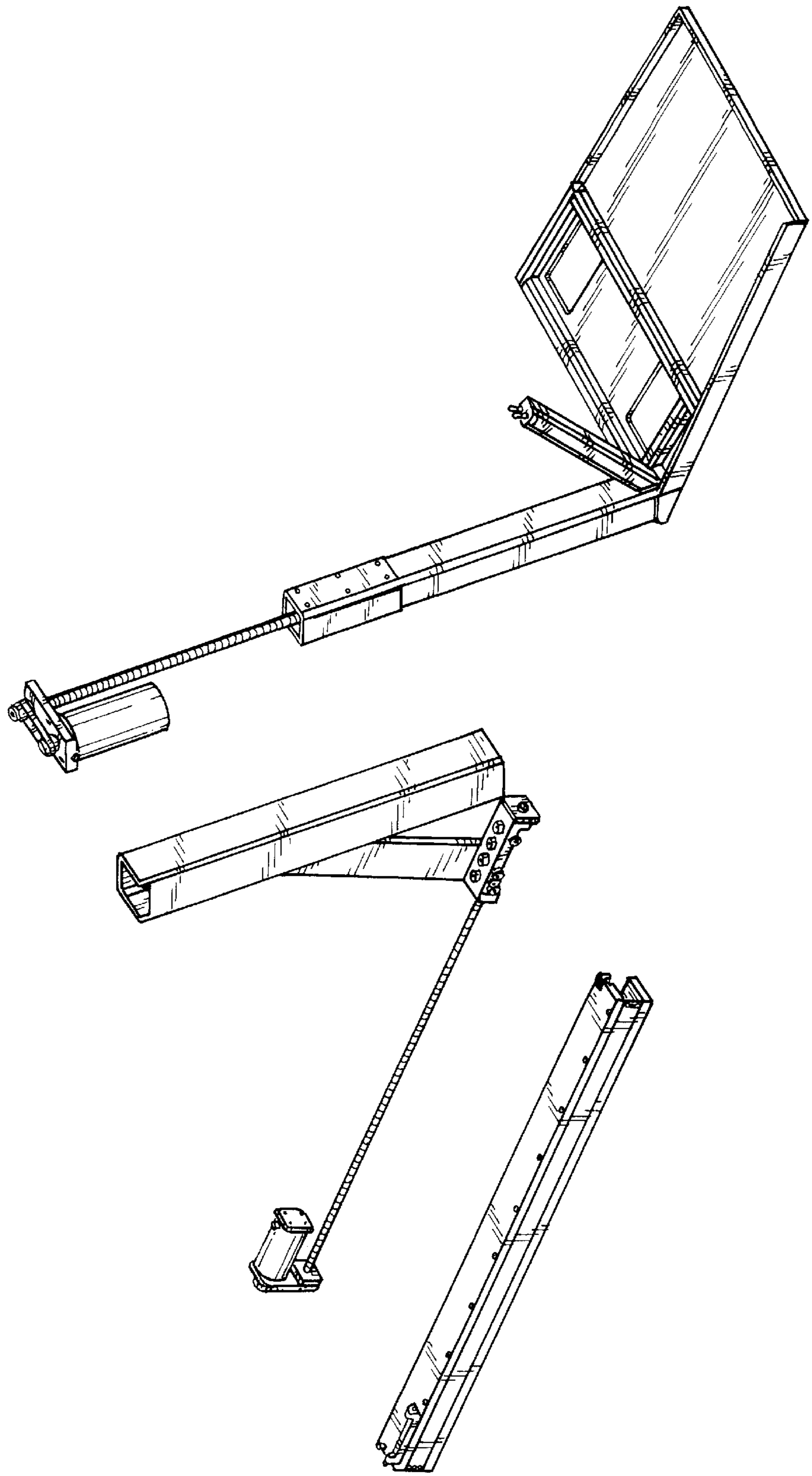


FIG. 15