



US00D440727S

(12) **United States Design Patent**  
**Keller et al.**

(10) **Patent No.:** **US D440,727 S**

(45) **Date of Patent:** **\*\* Apr. 17, 2001**

(54) **HAND TRUCK**

(76) Inventors: **William A. Keller; Sharon L. Keller,**  
both of 12075 270th Ave. NE.,  
Belgrade, MN (US) 56312

(\*\*) Term: **14 Years**

(21) Appl. No.: **29/120,754**

(22) Filed: **Mar. 24, 2000**

2,814,402	11/1957	Schaefer .	
3,278,061	10/1966	Christensen .	
3,350,797	11/1967	Dassinger et al. .	
4,174,849	11/1979	Wetzel .	
4,793,623	12/1988	Talbot .	
5,476,356	12/1995	Weiss .	
5,716,183	2/1998	Gibson et al. .	
5,749,588	* 5/1998	Stallbaumer .....	280/47.27
5,769,431	* 6/1998	Cordova .....	280/1.5
6,050,577	* 4/2000	Smith .....	280/47.24

**Related U.S. Application Data**

(63) Continuation of application No. 09/058,582, filed on Apr. 10, 1998, now Pat. No. 6,059,515.

(51) **LOC (7) Cl.** ..... **12-02**

(52) **U.S. Cl.** ..... **D34/24; D34/26**

(58) **Field of Search** ..... **D34/12-27; 280/47.24,**  
**280/47.27, 651, 652, 654; 414/721, 457,**  
**490**

**References Cited**

**U.S. PATENT DOCUMENTS**

31,741	3/1861	Humes .	
363,693	5/1887	Spaulding .	
D. 409,346	* 5/1999	Hurt .....	D34/24
455,653	7/1891	Butcher .	
461,522	10/1891	Mead .	
512,915	1/1894	Spaulding .	
605,058	5/1898	Horton .	
1,525,444	2/1925	Gignac .	
1,636,574	7/1927	Perry .	
1,800,679	4/1931	Day .	

**OTHER PUBLICATIONS**

“Hay Handler Field-Test Report,” Progressive Farmer, Jan. 1998, p. 24.

Dozier Equipment Co. Catalog, Jan.-Apr. 1998, p. 93.

\* cited by examiner

*Primary Examiner*—Kay H. Chin

(74) *Attorney, Agent, or Firm*—Albert W. Watkins

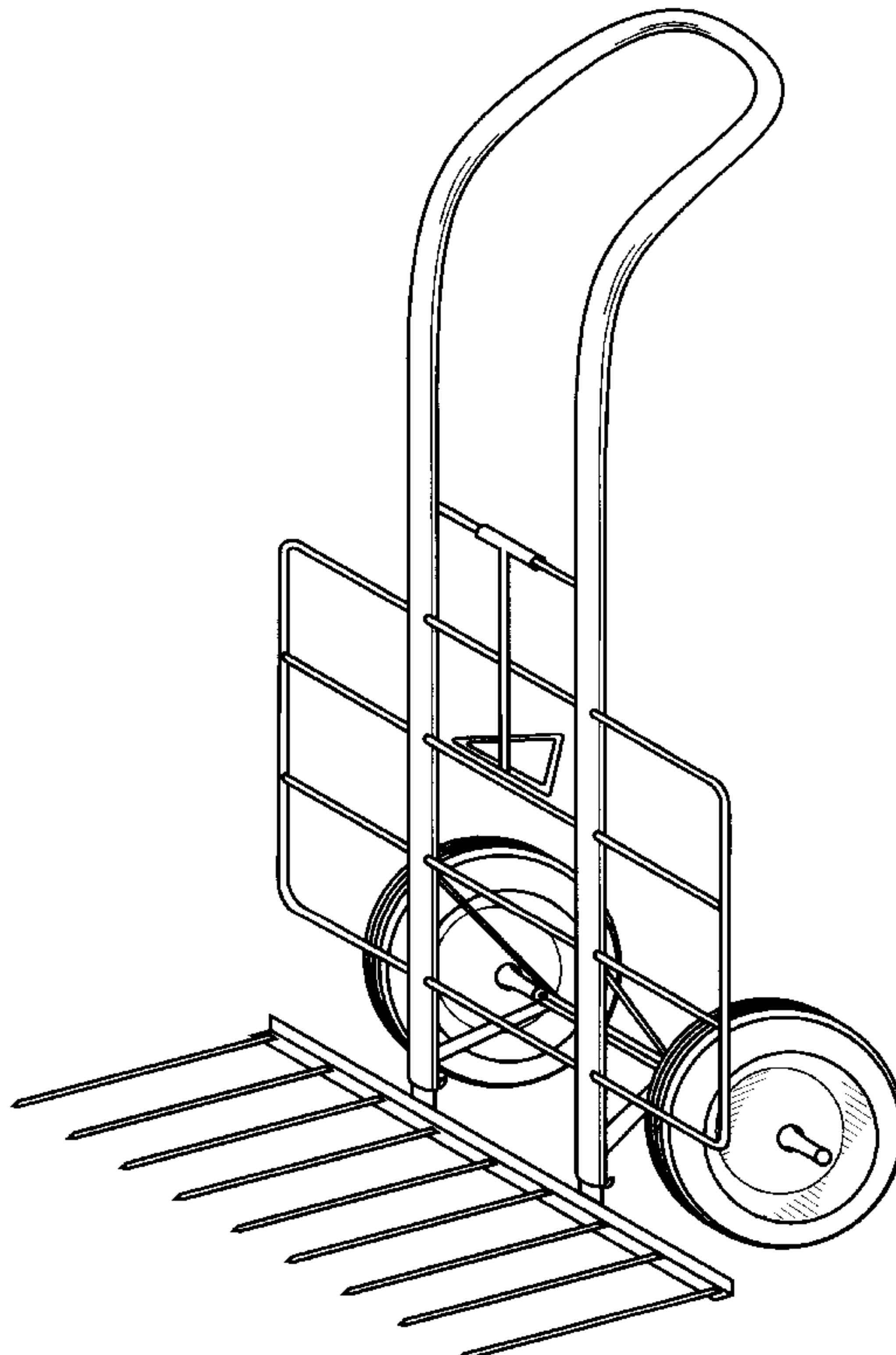
(57) **CLAIM**

We claim the ornamental design for a hand truck, as shown.

**DESCRIPTION**

FIG. 1 is a projected view showing my new design;  
FIG. 2 is a right side view thereof;  
FIG. 3 is a left side view thereof;  
FIG. 4 is a front side view thereof;  
FIG. 5 is a back side view thereof;  
FIG. 6 is a top view thereof; and,  
FIG. 7 is a bottom view thereof.

**1 Claim, 6 Drawing Sheets**



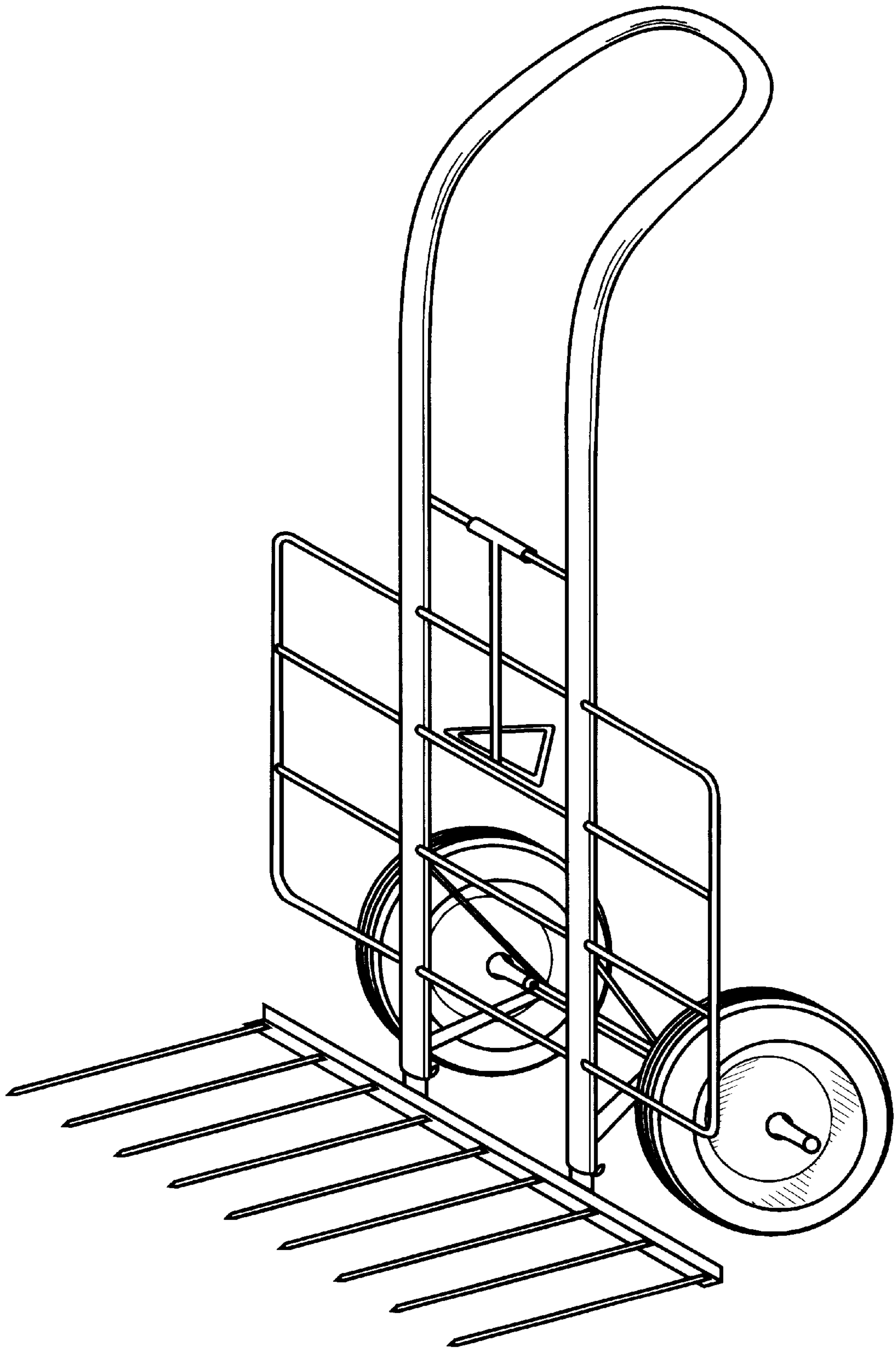


FIG. 1

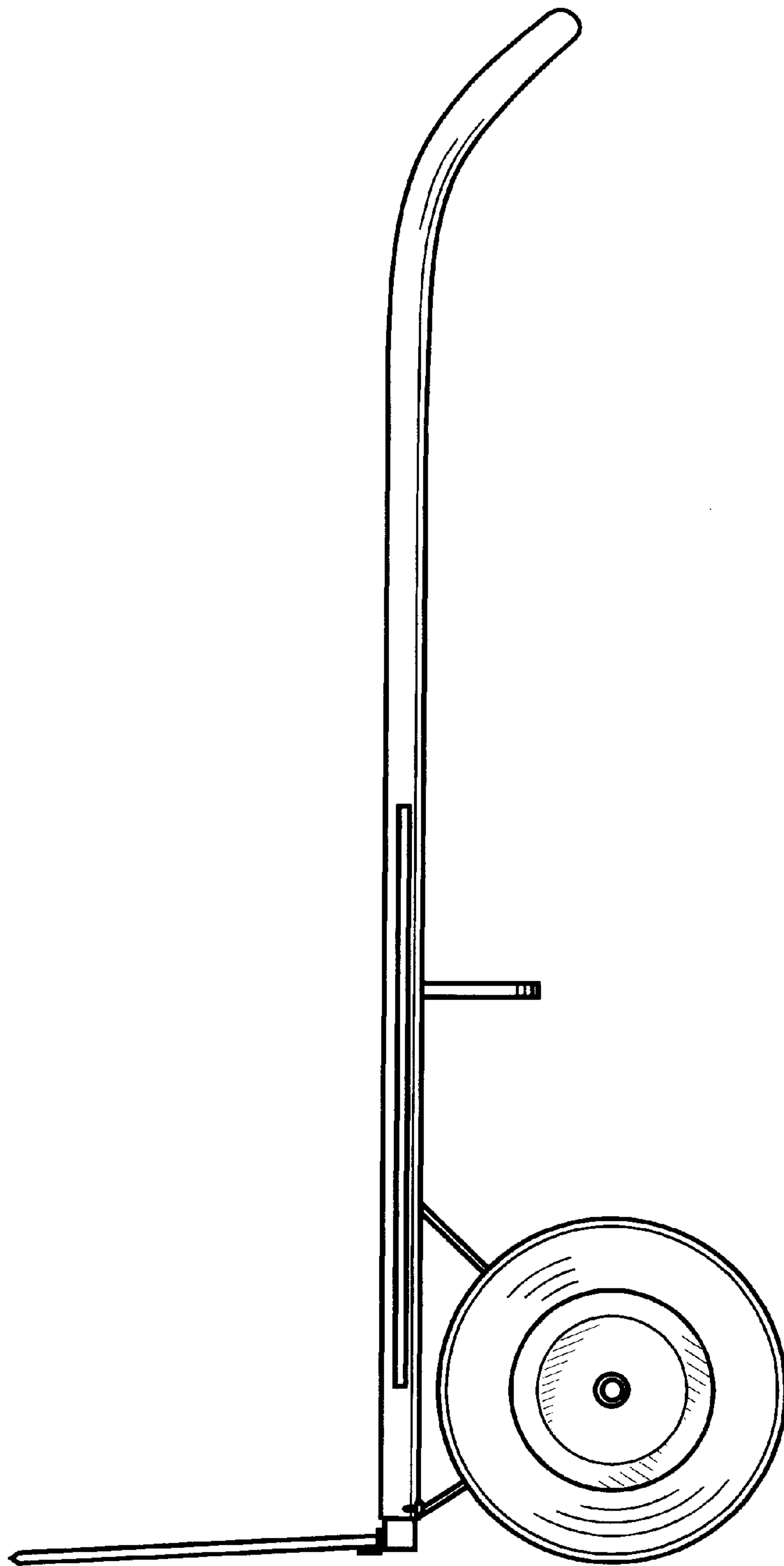


FIG. 2

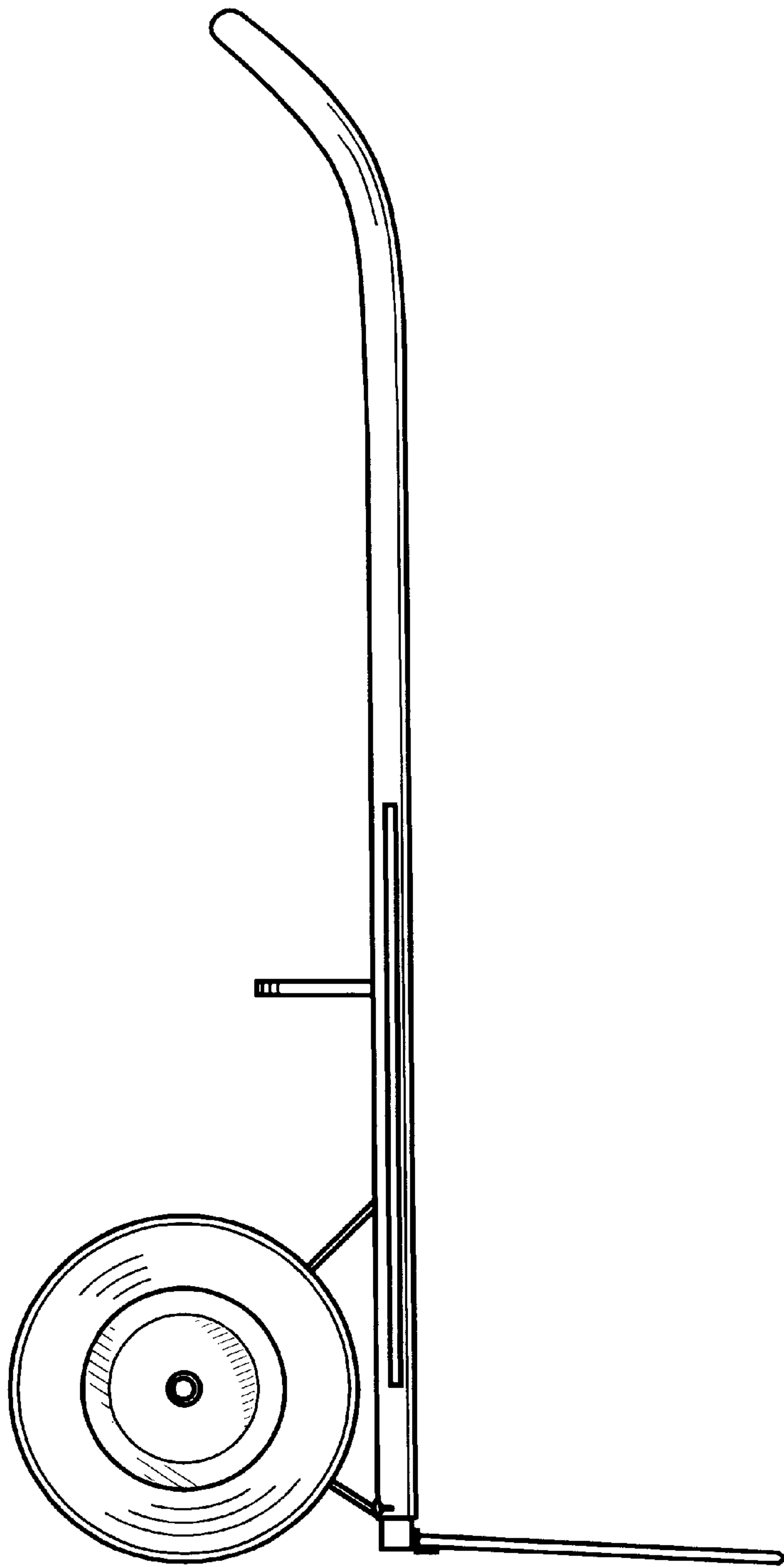


FIG. 3

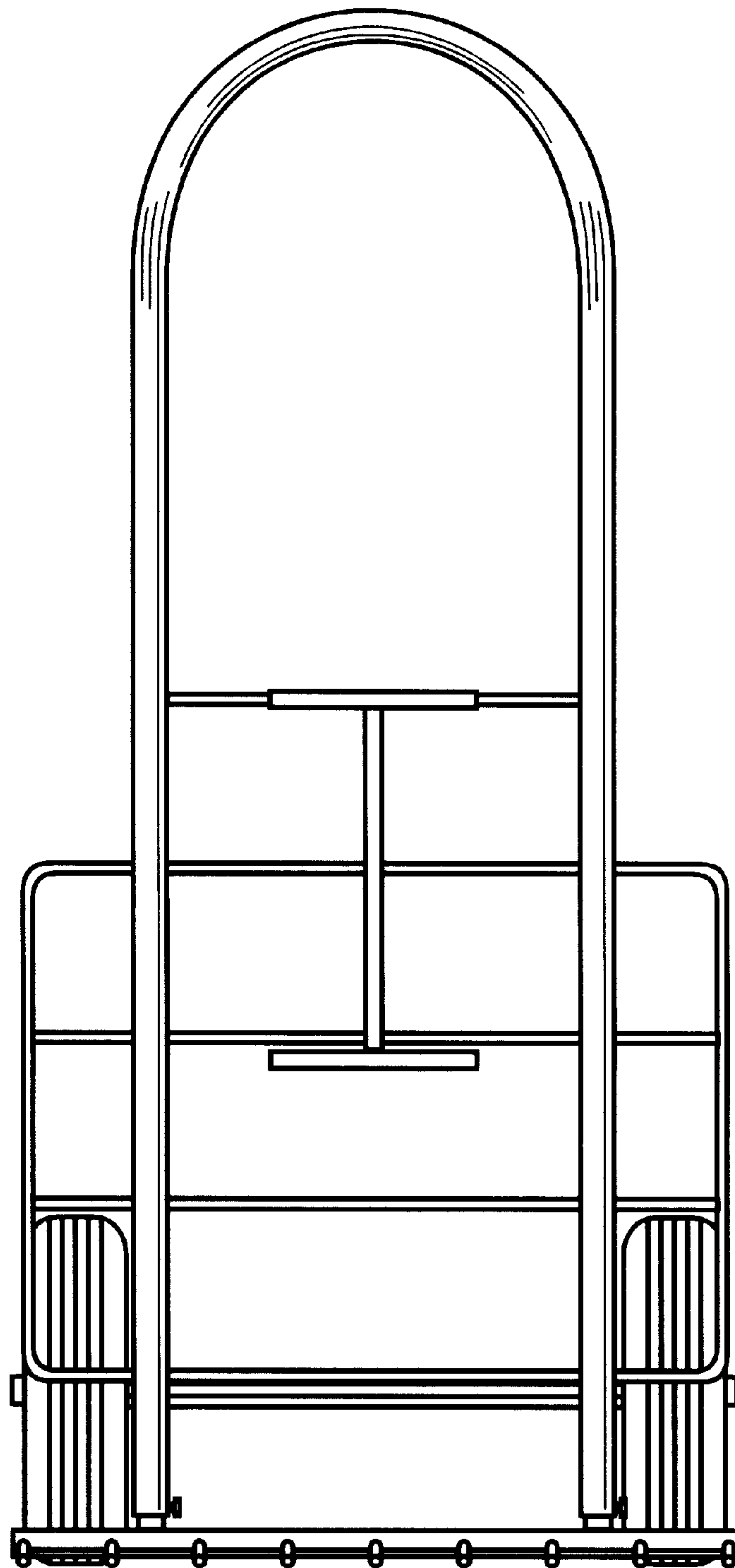


FIG. 4

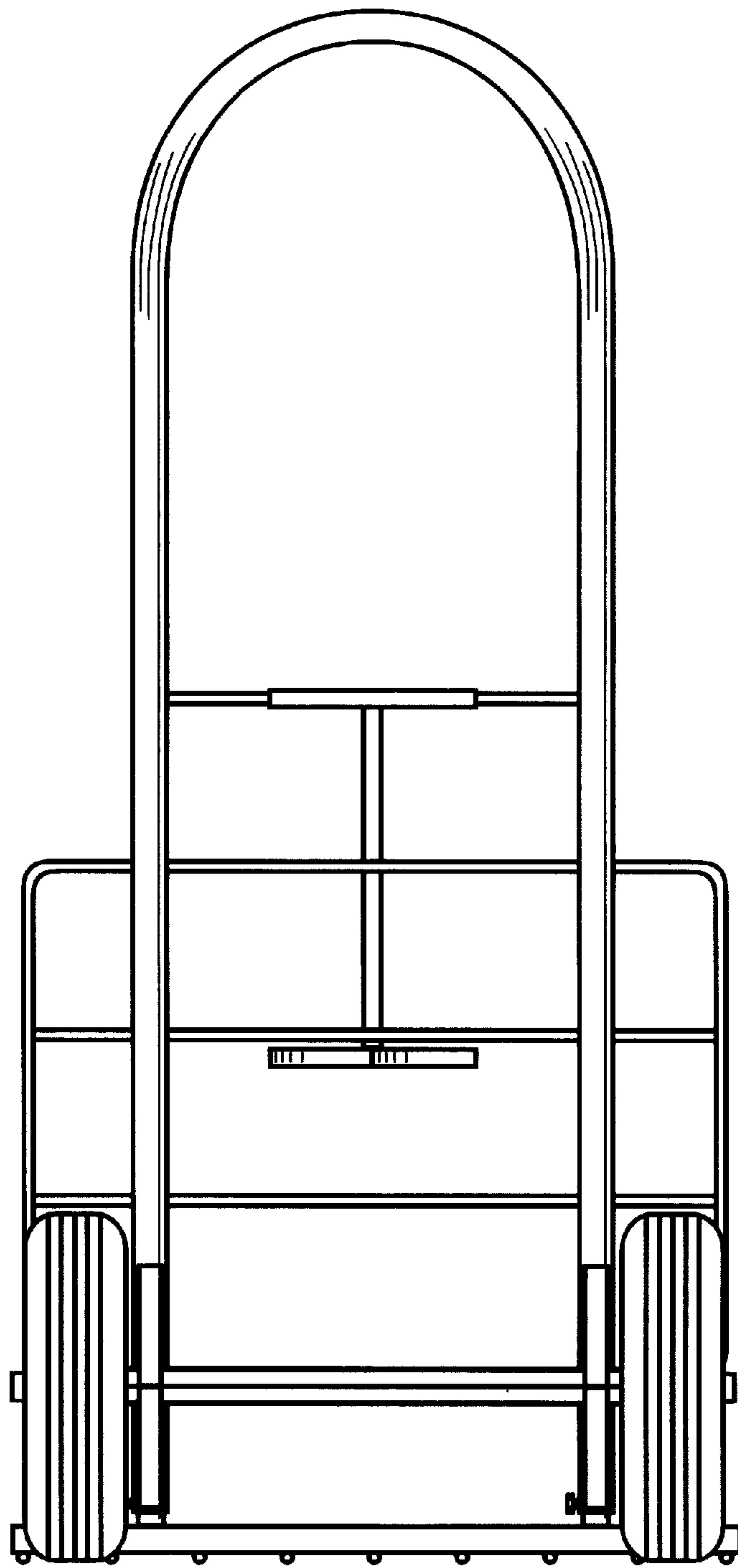


FIG. 5

FIG. 6

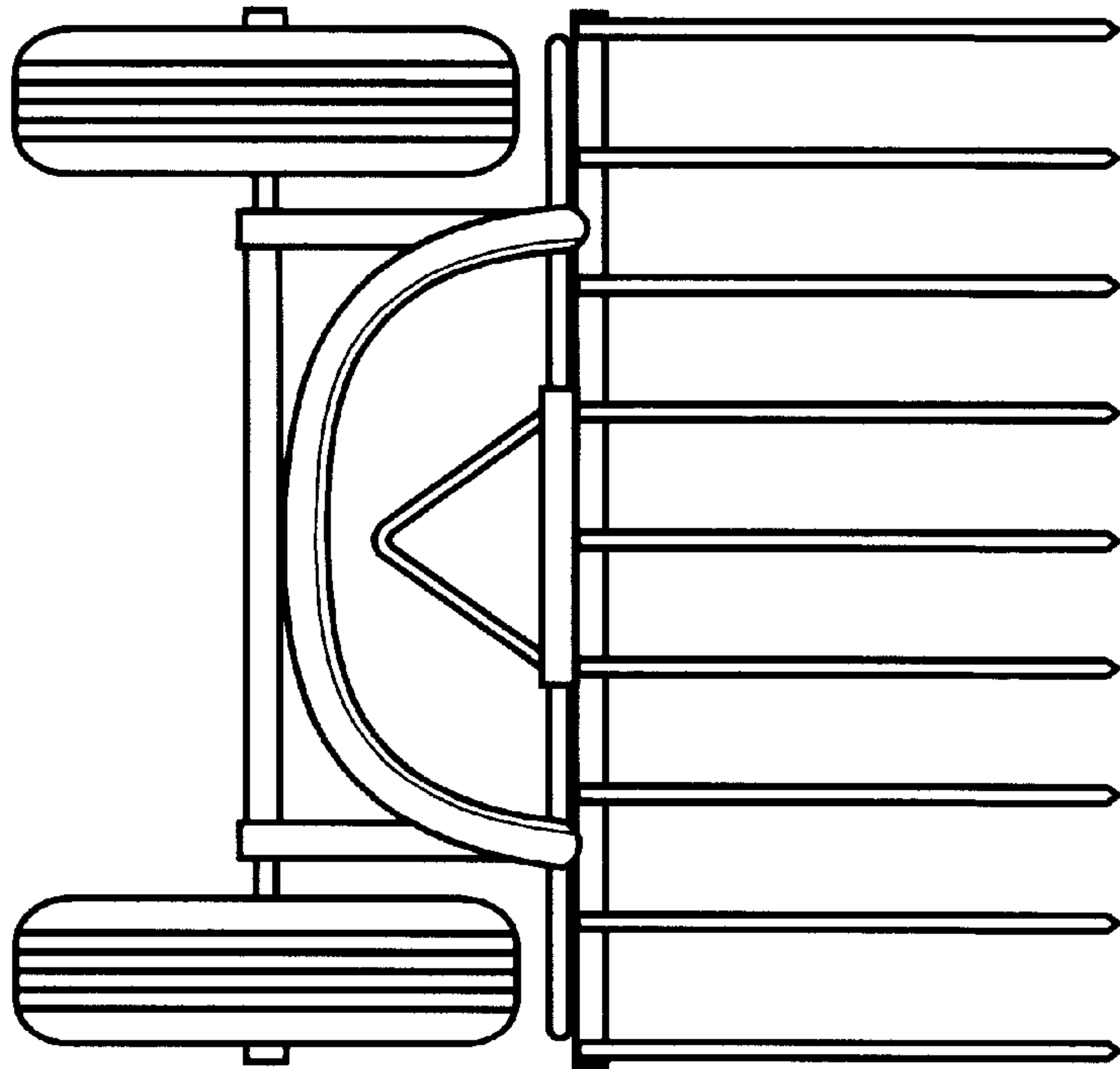


FIG. 7

