



US00D440726S

(12) **United States Design Patent**  
**Wang**

(10) **Patent No.:** **US D440,726 S**

(45) **Date of Patent:** **\*\* Apr. 17, 2001**

(54) **SEAT FRAME FOR SUITCASE**

5,709,398 \* 1/1998 Lu ..... 280/47.24

(76) Inventor: **Hsu-Kai Wang**, 15th Fl., No. 83, Lane  
269, Chung-Ching Rd., Pan-Chiao City,  
Taipei Hsian (TW)

\* cited by examiner

*Primary Examiner*—Kay H. Chin

(74) *Attorney, Agent, or Firm*—Erik M. Arnhem

(\*\*) Term: **14 Years**

(57) **CLAIM**

(21) Appl. No.: **29/101,681**

The ornamental design for a seat frame for suitcase, as shown and described.

(22) Filed: **Mar. 9, 1999**

**DESCRIPTION**

(51) **LOC (7) Cl.** ..... **12-22**

(52) **U.S. Cl.** ..... **D34/24; D34/26**

(58) **Field of Search** ..... D34/12-27; 280/47.24,  
280/47.27, 655, 654, 40, 43.1; D3/279,  
318

FIG. 1 is a perspective view of seat frame for suitcase showing my design;

FIG. 2 is a front elevational view thereof;

FIG. 3 is a rear elevational view thereof;

FIG. 4 is a left side elevational view thereof;

FIG. 5 is a right side elevational view thereof;

FIG. 6 is a top plan view thereof;

FIG. 7 is a bottom plan view thereof; and,

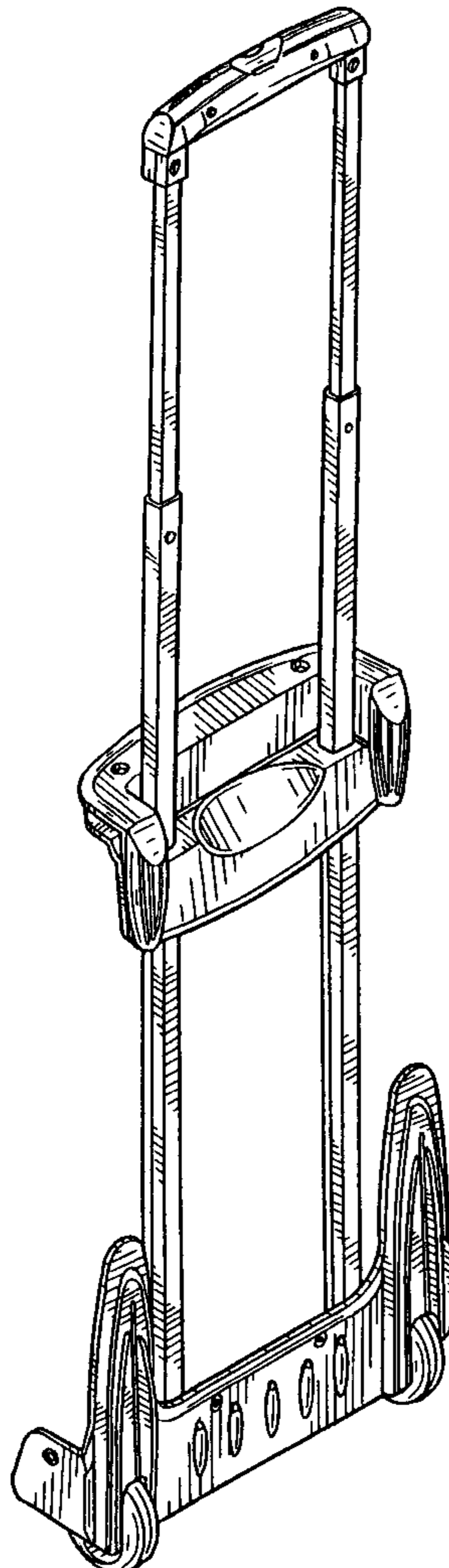
FIG. 8 is a perspective view of seat frame for suitcase in a contractive and folded state according to the present design.

(56) **References Cited**

**U.S. PATENT DOCUMENTS**

- D. 342,363 \* 12/1993 Stein ..... D34/26
- D. 398,125 \* 9/1998 Rekuc et al. .... D34/26
- 4,666,179 \* 5/1987 Adams ..... 280/655
- 4,684,141 \* 8/1987 Nunokawa ..... 280/40

**1 Claim, 6 Drawing Sheets**



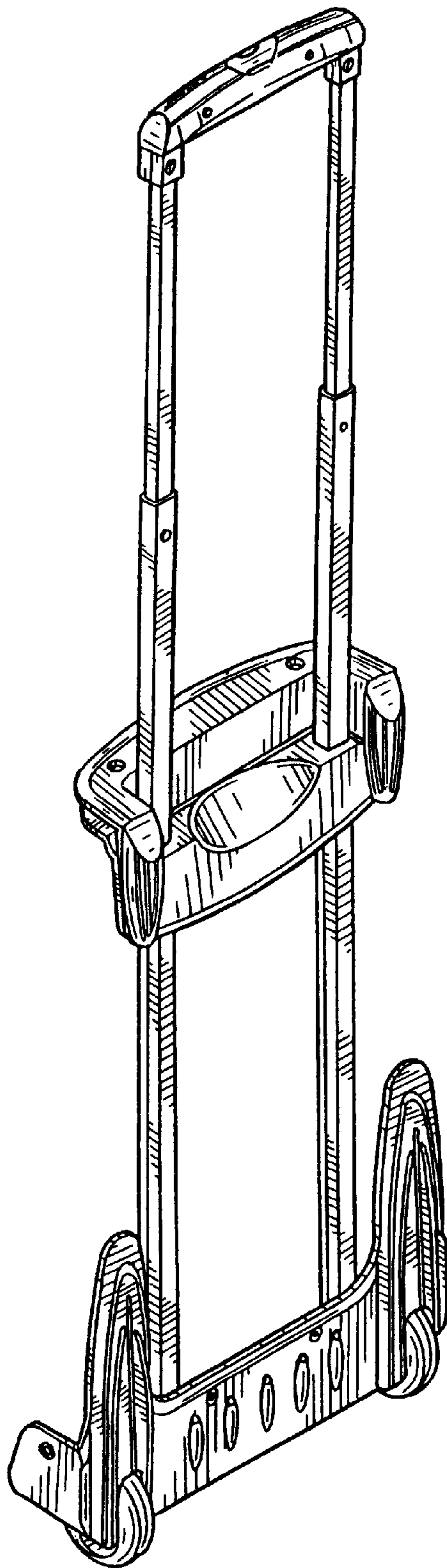


FIG. 1

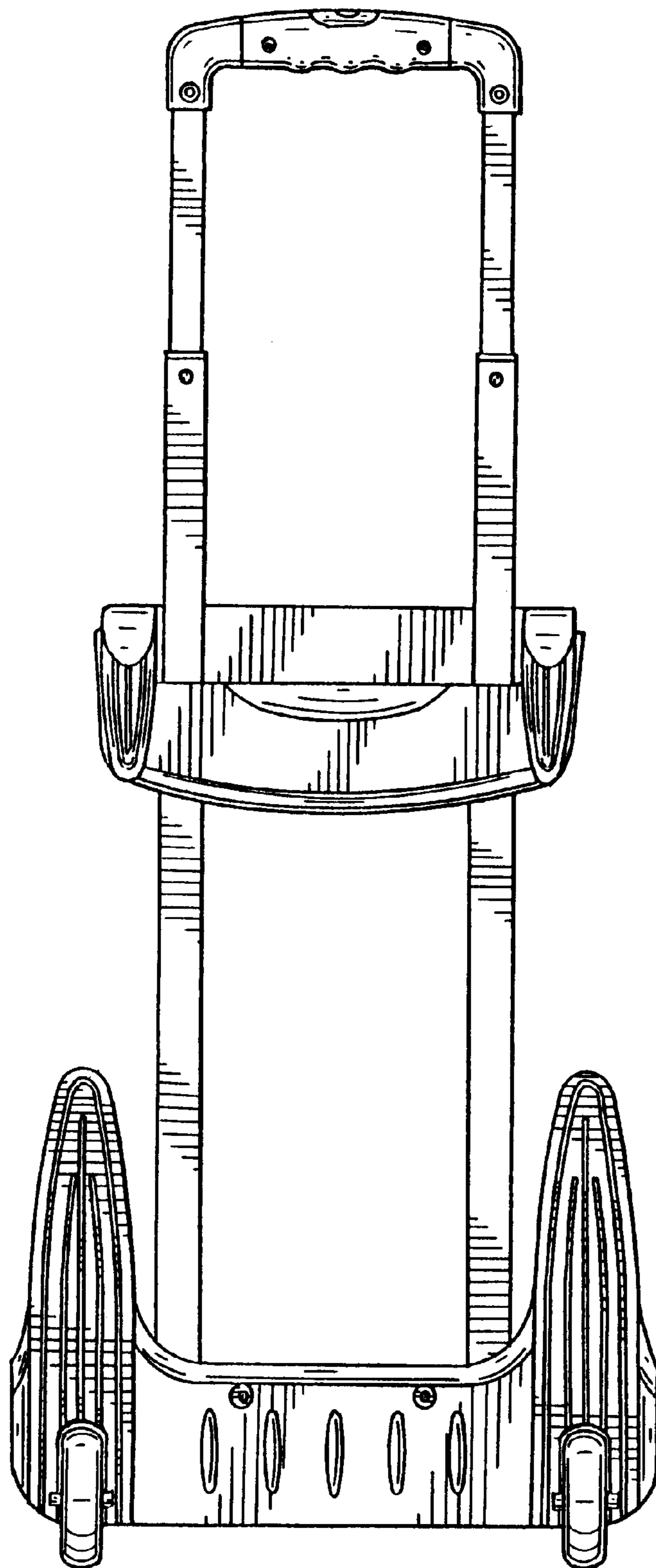


FIG. 2

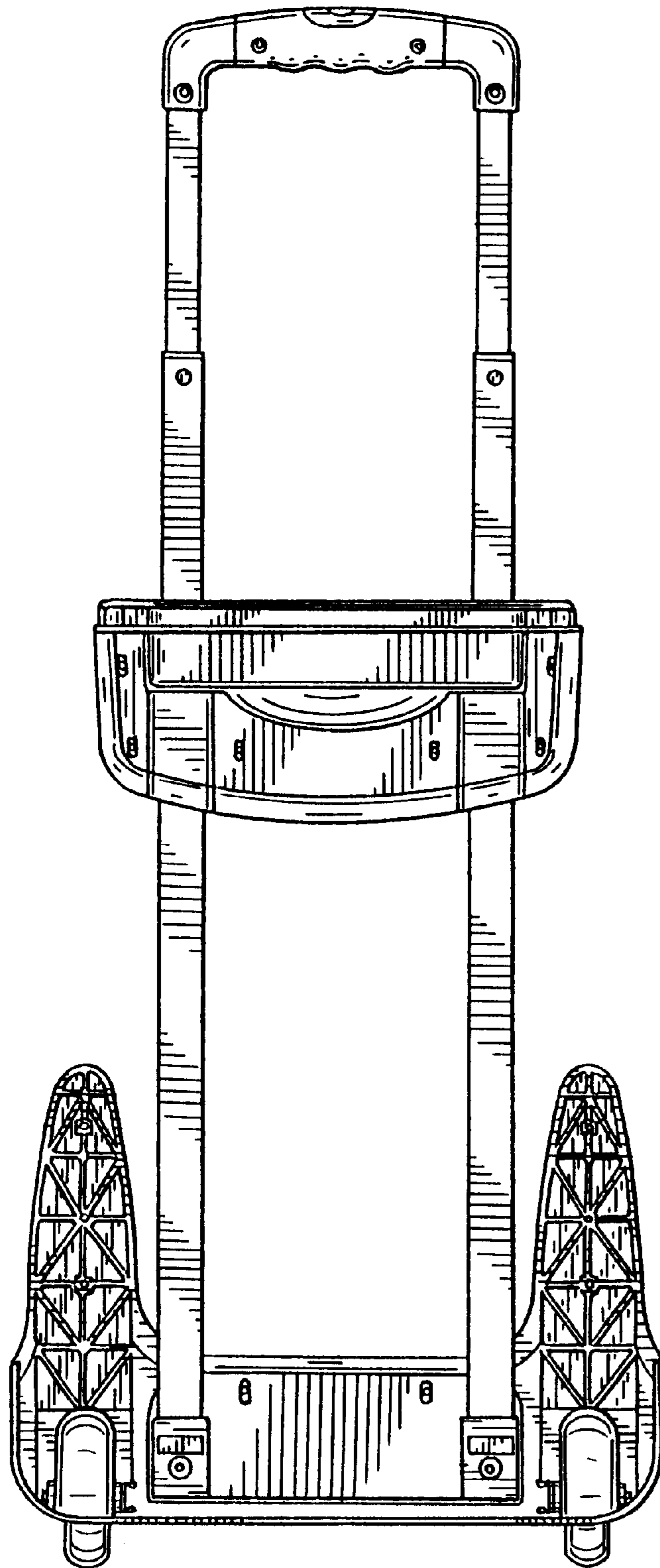


FIG. 3

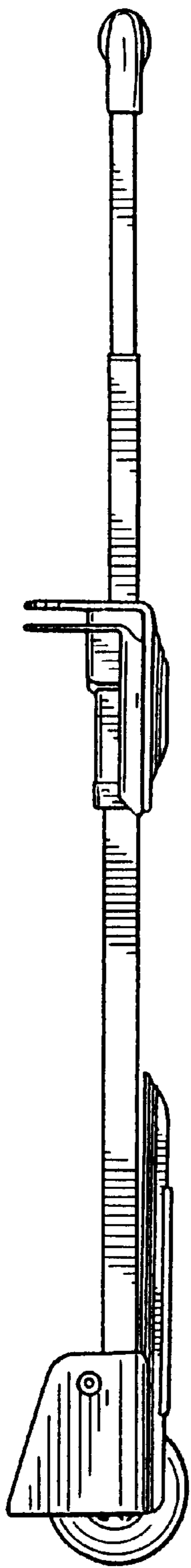


FIG. 4

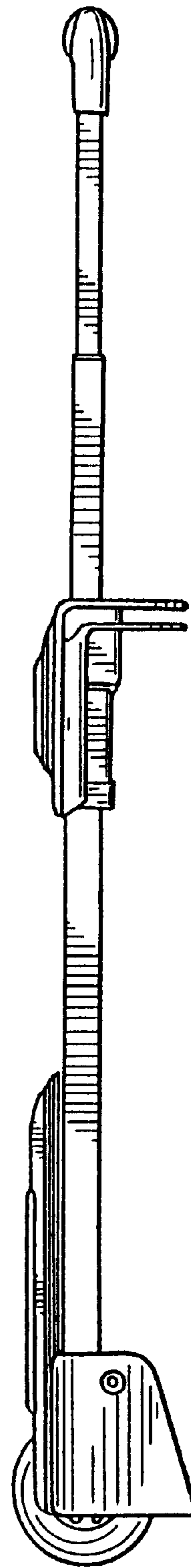


FIG. 5

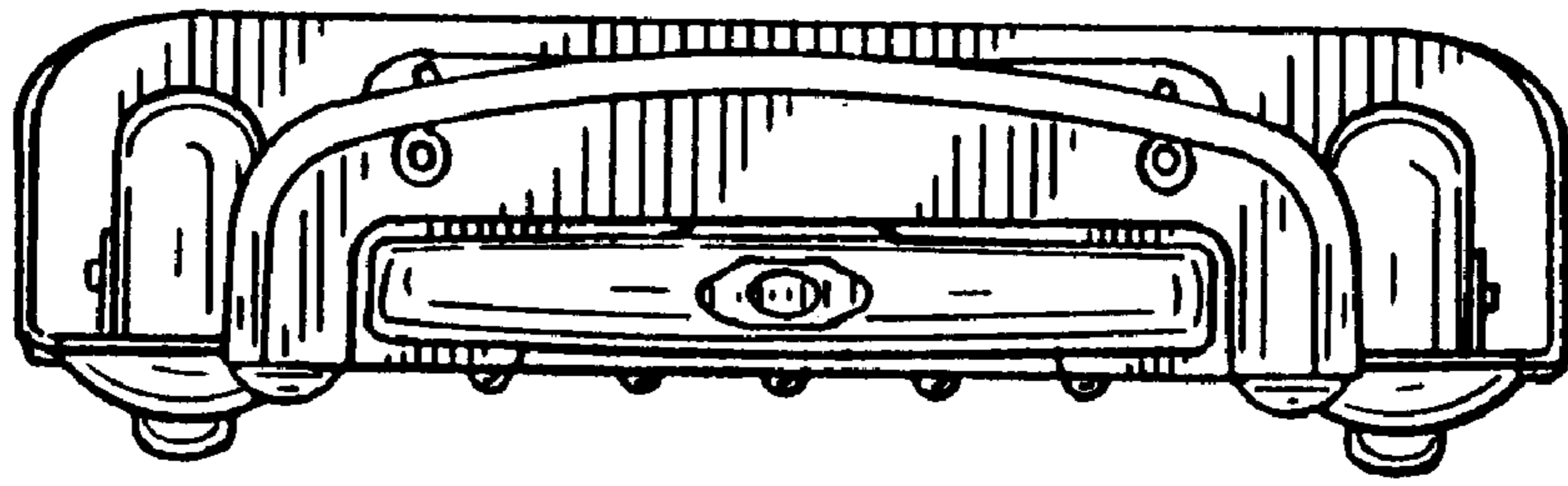


FIG. 6

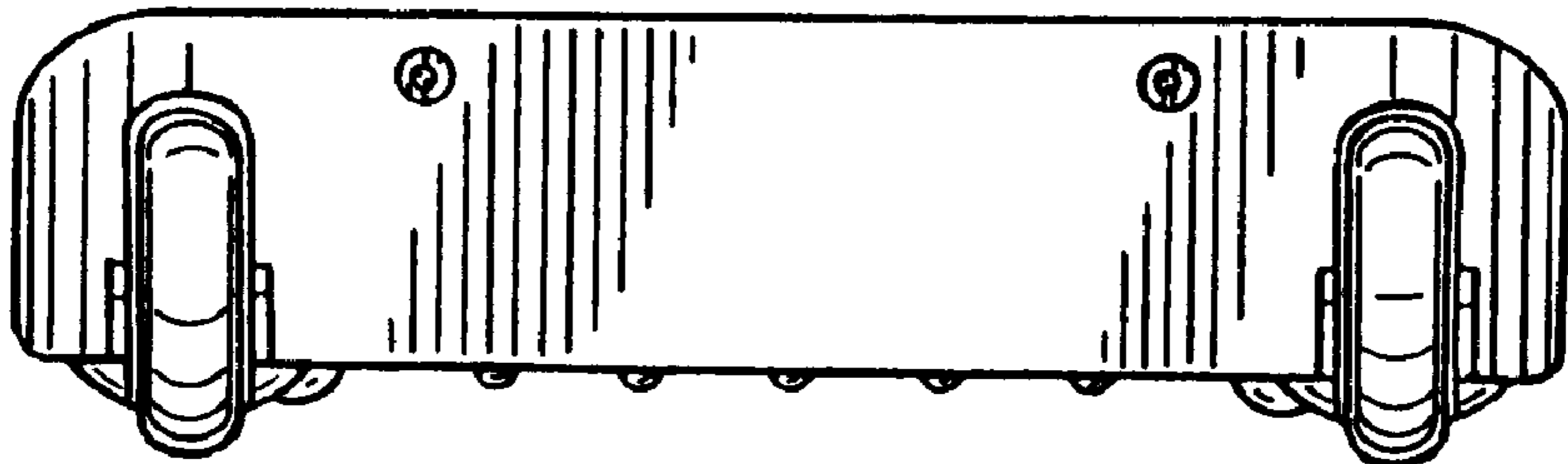


FIG. 7

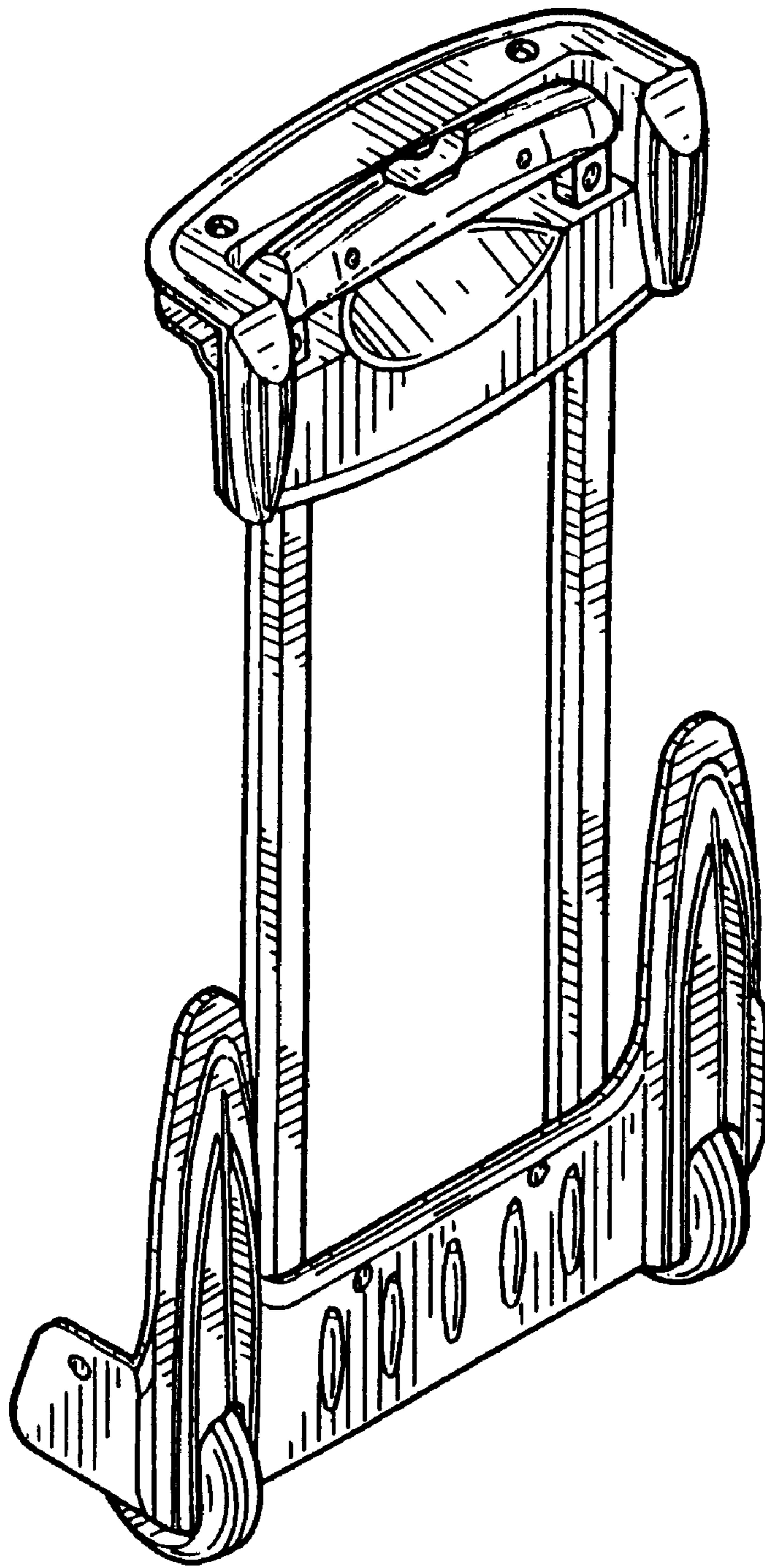


FIG. 8