



US00D440724S

(12) **United States Design Patent**  
**Kalinski**

(10) **Patent No.:** **US D440,724 S**

(45) **Date of Patent:** **\*\* Apr. 17, 2001**

(54) **DECORATIVE WASTEBASKET**

(76) Inventor: **Bryan Kalinski**, 406 Maple Pl.,  
Martins Ferry, OH (US) 43935

(\*\*) Term: **14 Years**

(21) Appl. No.: **29/117,020**

(22) Filed: **Jan. 14, 2000**

(51) **LOC (7) Cl.** ..... **09-09**

(52) **U.S. Cl.** ..... **D34/4; D34/7; D34/9**

(58) **Field of Search** ..... **D34/1, 5, 6, 7,**  
**D34/8, 9, 4, 11; 220/988, 909, 910, 911**

(56) **References Cited**

**U.S. PATENT DOCUMENTS**

D. 99,399	*	4/1936	Karper	.....	D34/9
D. 108,642	*	3/1938	Geibel	.....	D34/9
D. 147,646	*	10/1947	Footlik	.....	D34/9
D. 151,986	*	12/1948	Hamilton	.....	D34/9
D. 176,083	*	11/1955	Reinecke	.....	D34/9
D. 343,486	*	1/1994	Kimport	.....	D34/1
814,563	*	3/1906	Pond	.....	220/908
1,240,740	*	9/1917	Levett	.....	220/909
1,511,982	*	10/1924	Schilling	.....	220/908
1,550,732	*	8/1925	May et al.	.....	220/909
1,619,506	*	3/1927	Gemeinder	.....	220/909
1,791,097	*	2/1931	Jetel	.....	220/911
2,096,578	*	10/1937	Flanagan	.....	220/910
2,246,975	*	6/1941	Geibel	.....	220/911
2,475,125	*	7/1949	Brownell	.....	220/908
2,573,548	*	10/1951	Cunningham	.....	220/908
3,370,787	*	2/1968	Lindholm et al.	.....	220/910

4,943,002	*	7/1990	Fraher	.....	220/908
4,955,496	*	9/1990	Nelson	.....	220/908
5,011,026	*	4/1991	Hausman et al.	.....	220/908 X
5,249,693	*	10/1993	Gillispie et al.	.....	220/908
5,350,079	*	9/1994	Larson et al.	.....	220/908
6,024,238	*	2/2000	Jaros	.....	220/908 X

\* cited by examiner

*Primary Examiner*—Cynthia E. Ramirez

(57) **CLAIM**

The ornamental design for a decorative wastebasket, as shown and described.

**DESCRIPTION**

FIG. 1 is a top, front, right side perspective view in an alternate position of the decorative wastebasket of the present invention;

FIG. 2 is a front elevational view of the decorative wastebasket of FIG. 1;

FIG. 3 is a rear elevational view of the decorative wastebasket of FIG. 1;

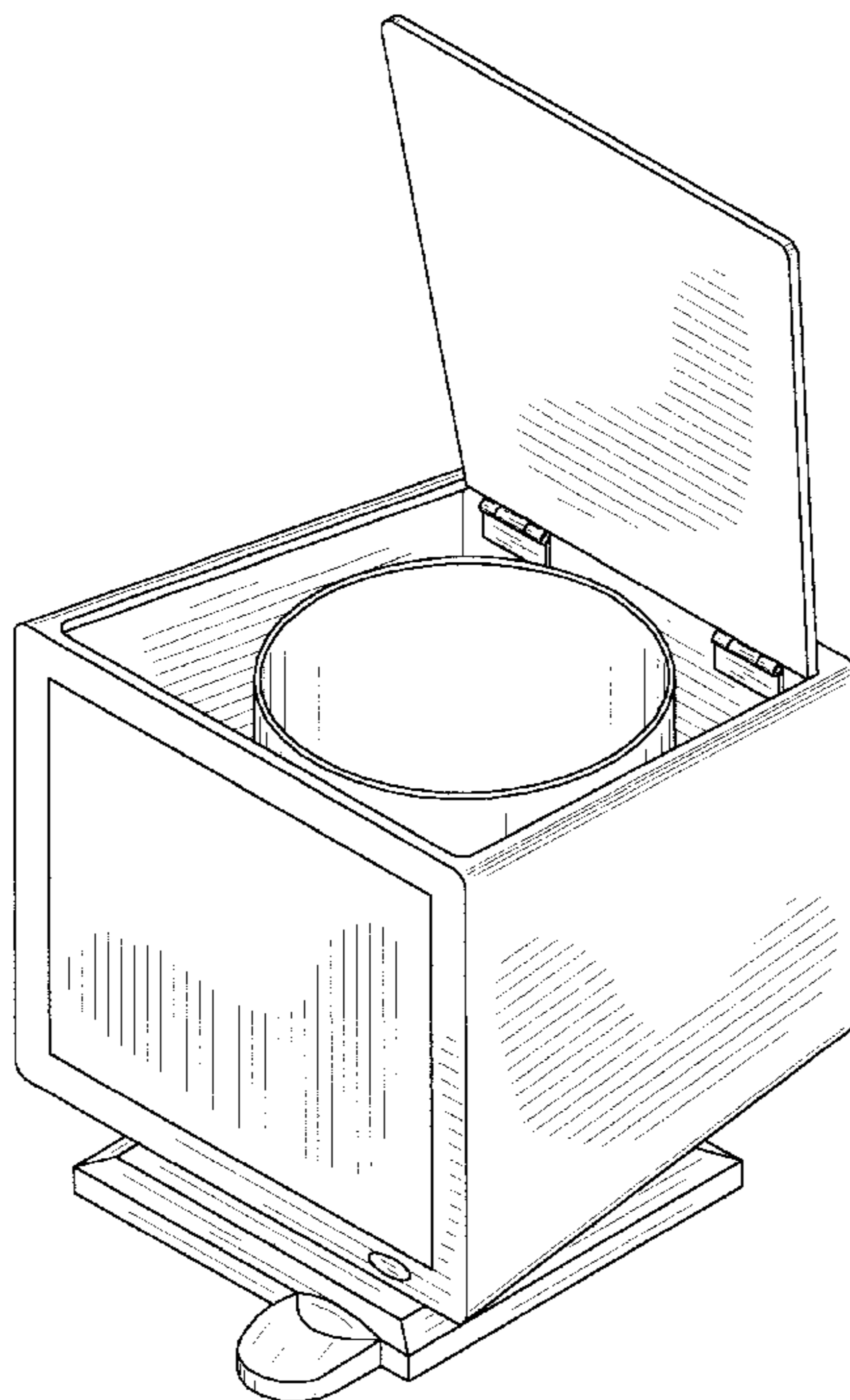
FIG. 4 is a left side elevational view of the decorative wastebasket of FIG. 1, the right view being a mirror image thereof;

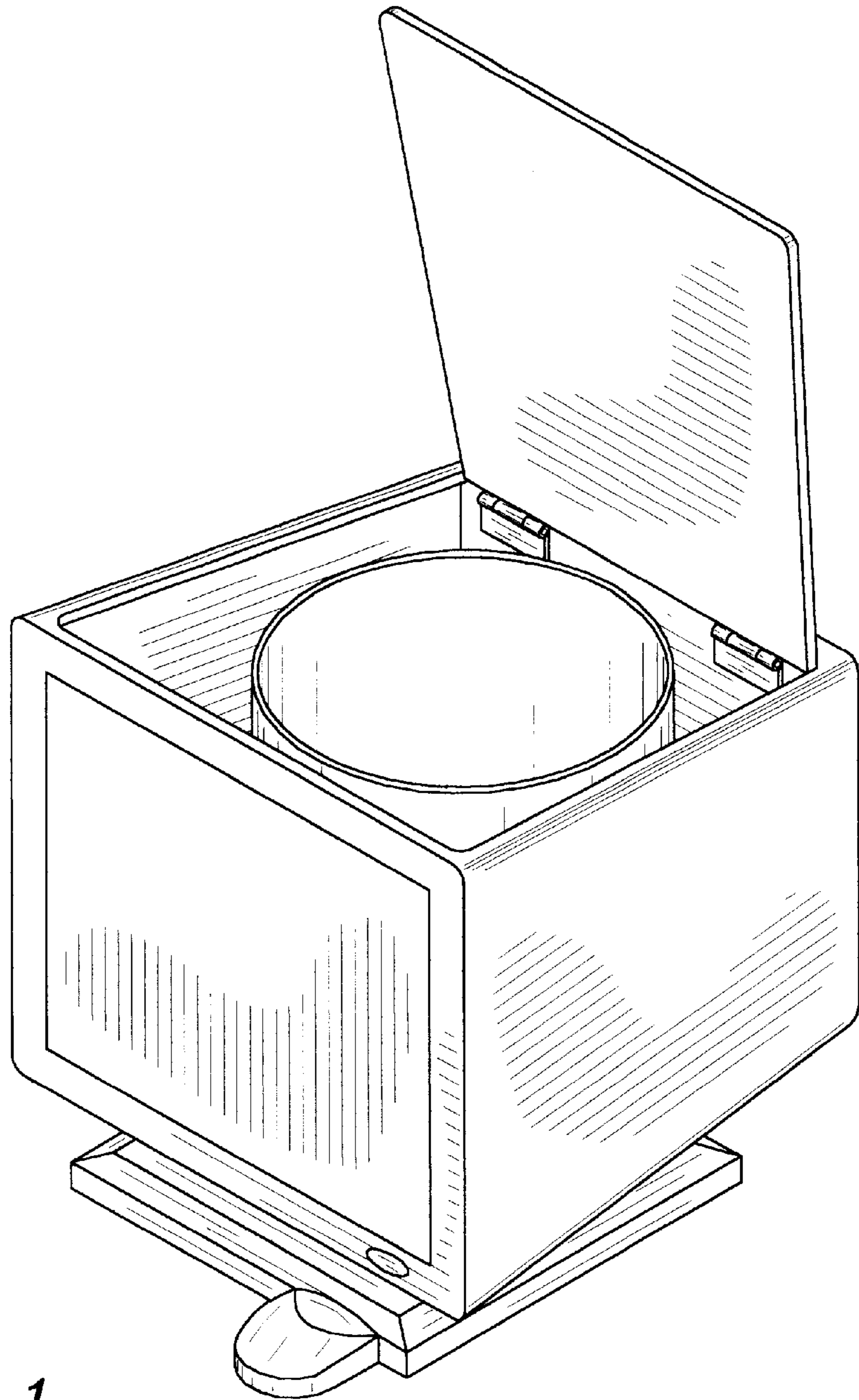
FIG. 5 is a top plan view of the decorative wastebasket of FIG. 1;

FIG. 6 is a bottom plan view of the decorative wastebasket of FIG. 1; and,

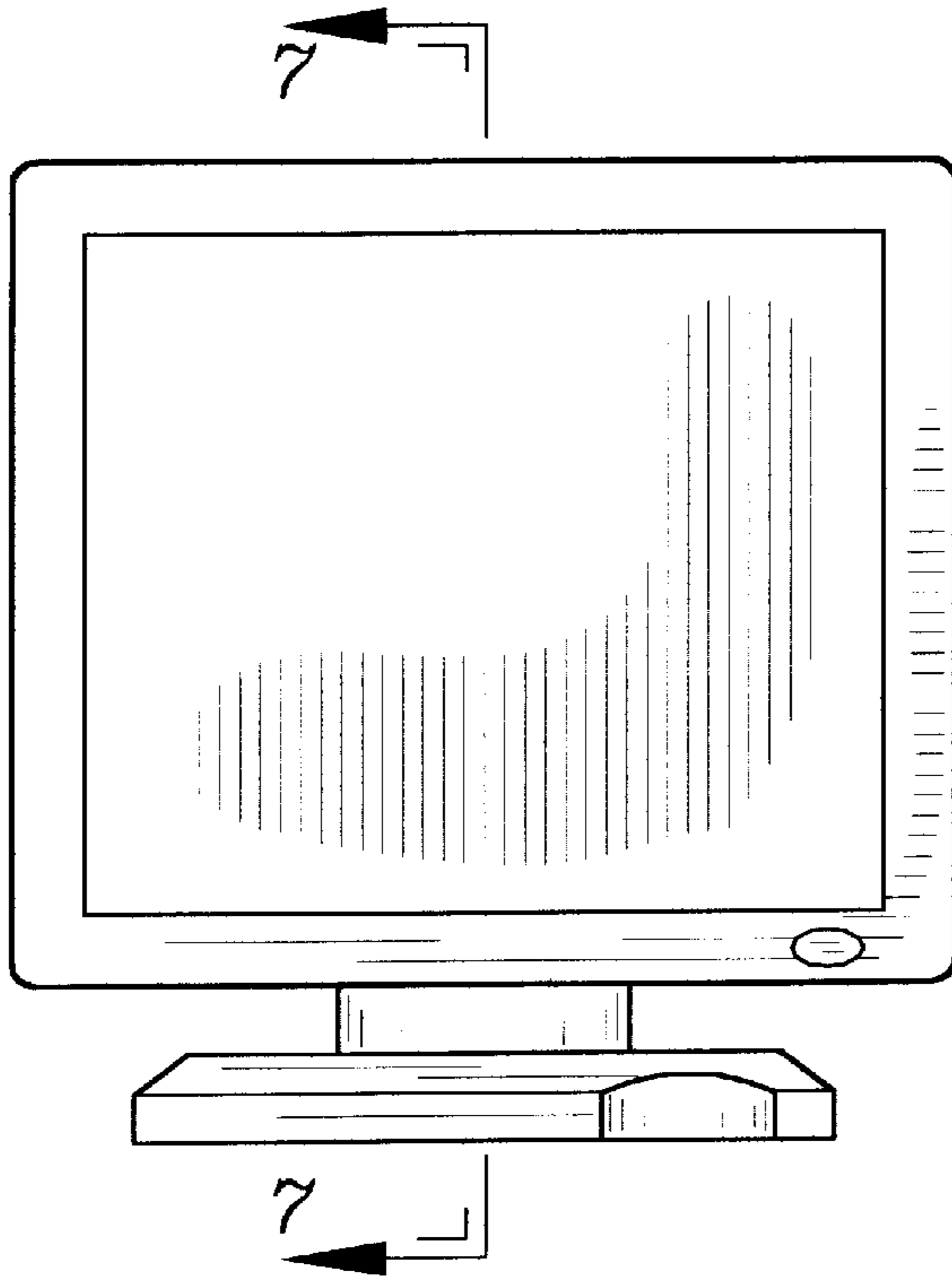
FIG. 7 is a cross-sectional view of FIG. 2 taken along line 7—7 of the decorative wastebasket of FIG. 1.

**1 Claim, 4 Drawing Sheets**

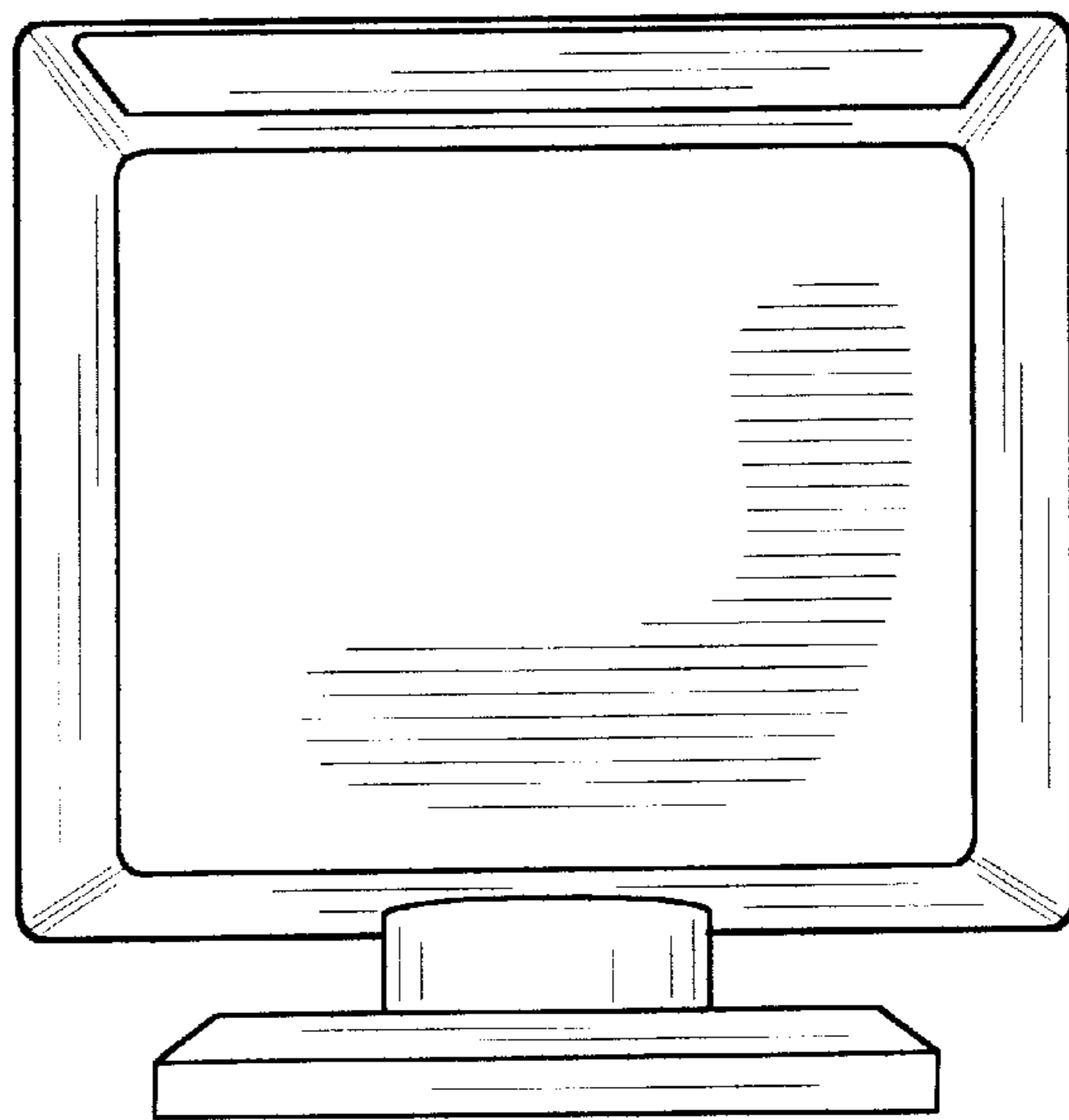




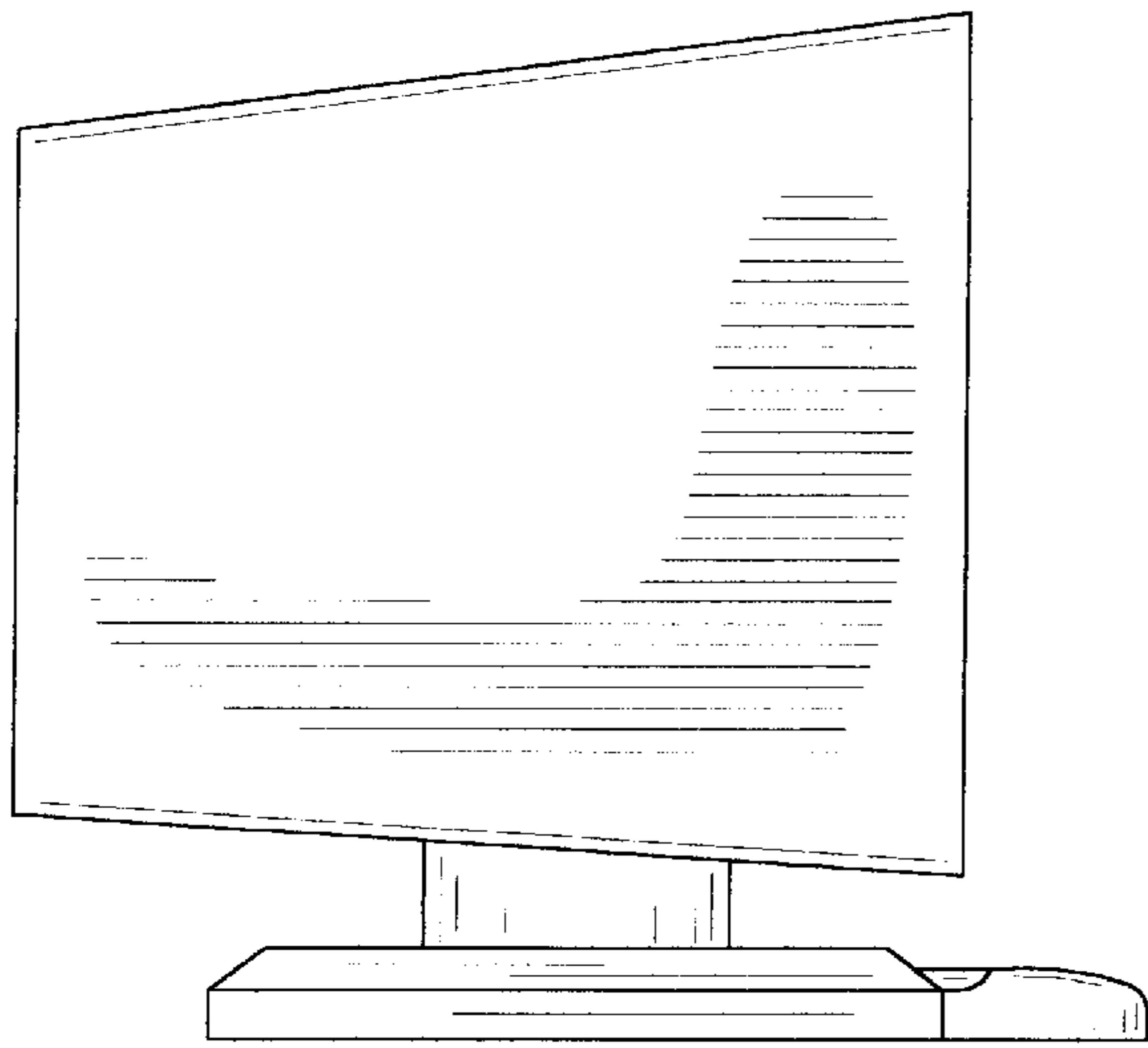
*Fig. 1*



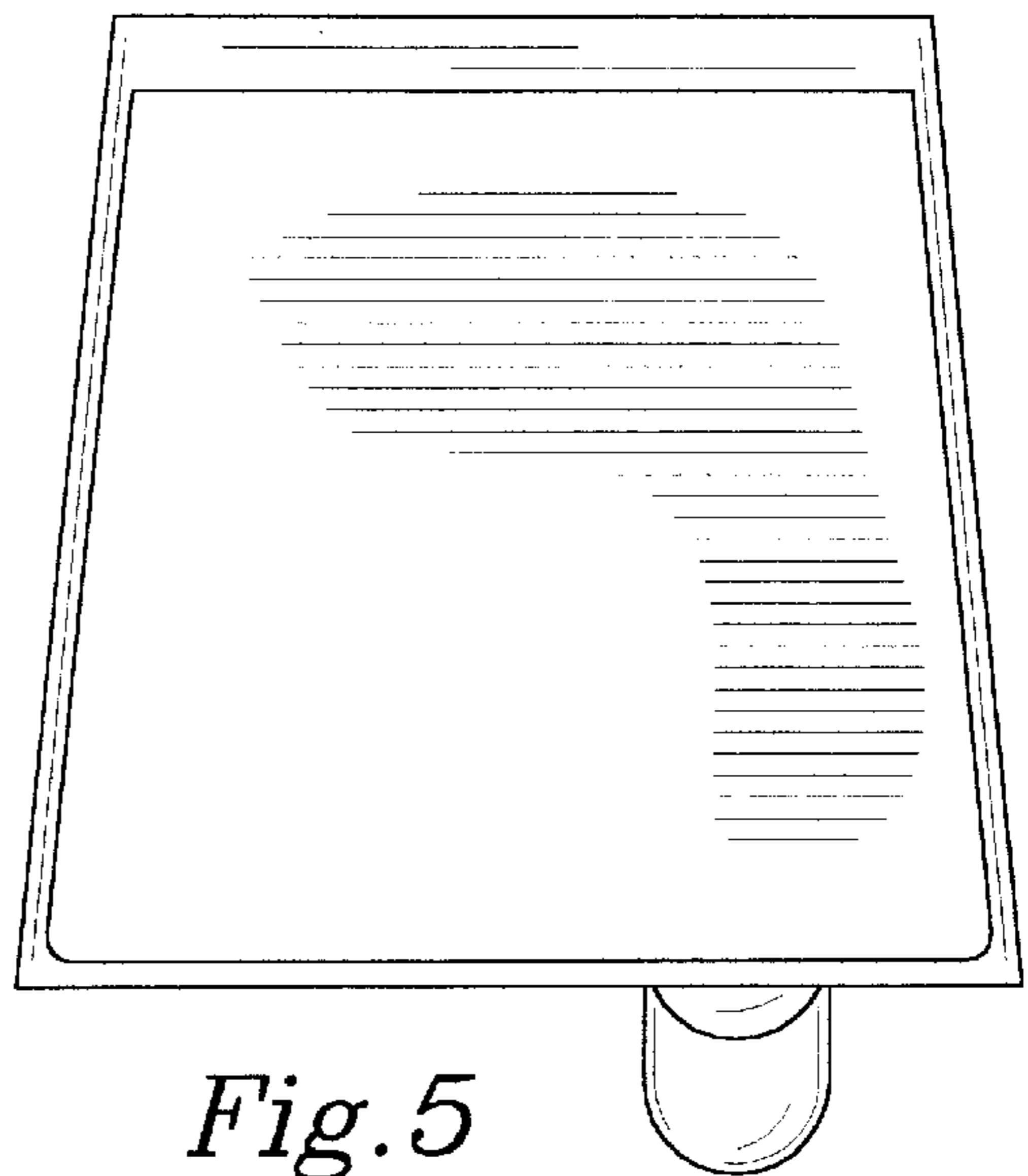
*Fig. 2*



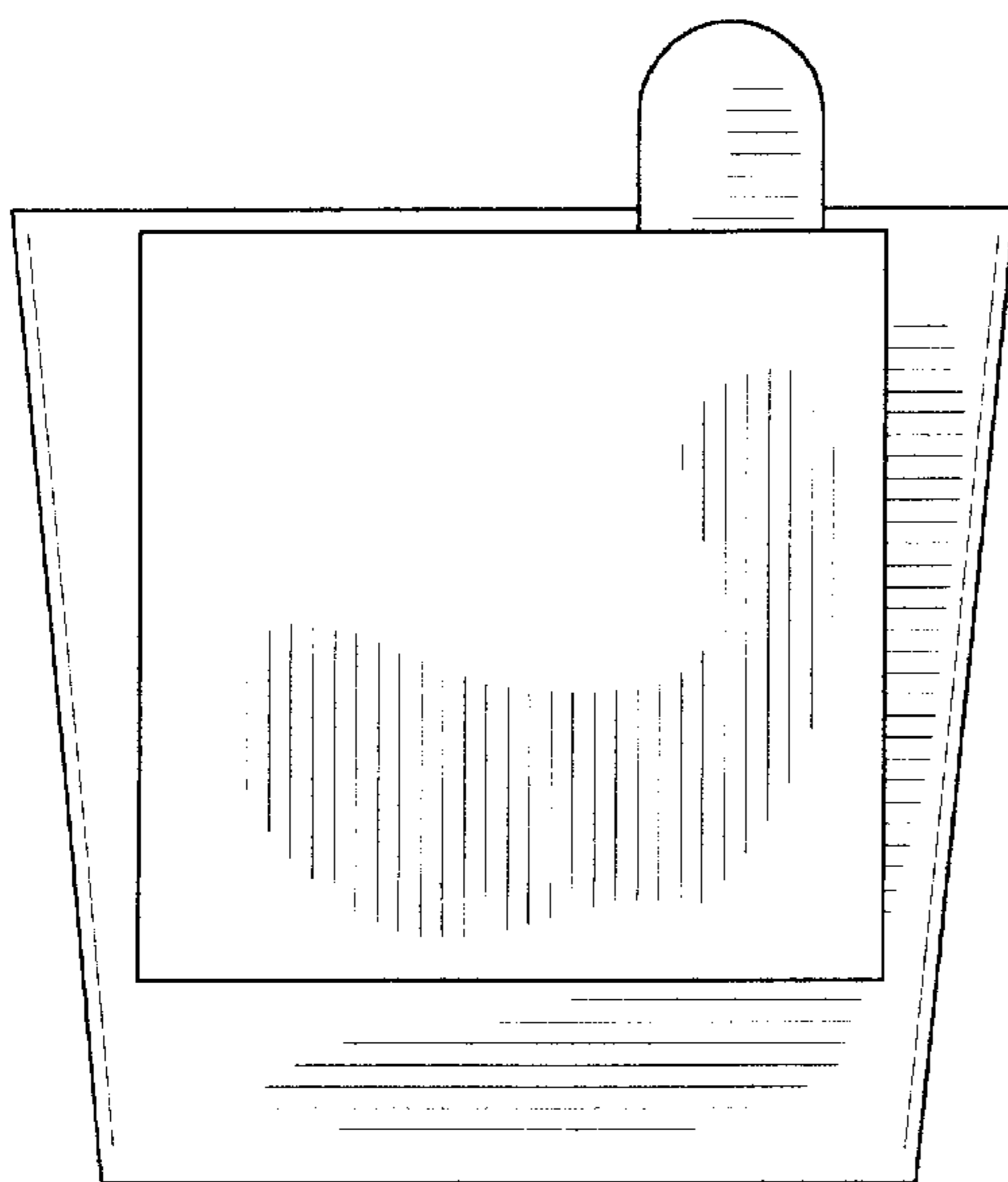
*Fig. 3*



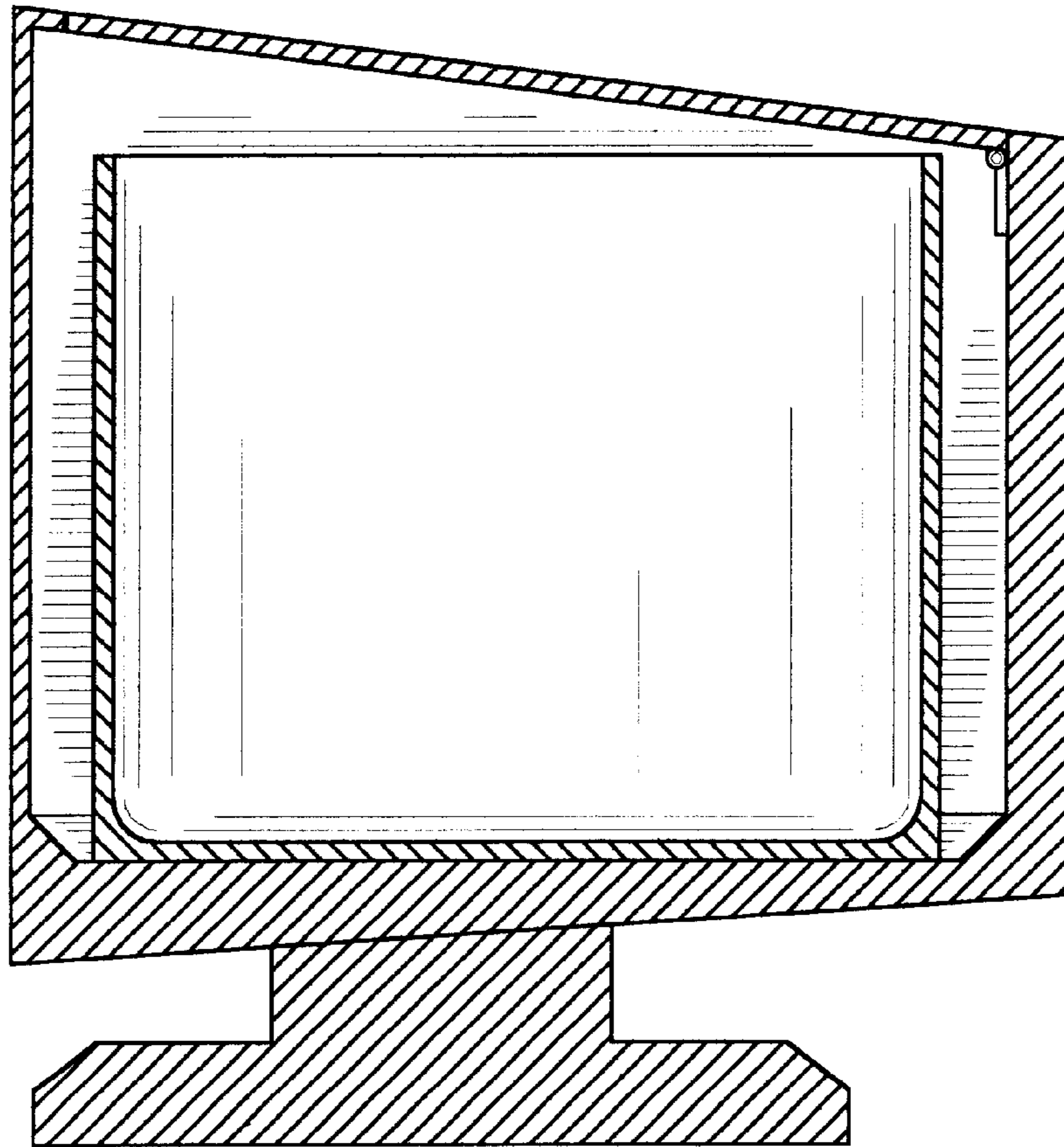
*Fig. 4*



*Fig. 5*



*Fig. 6*



*Fig. 7*