



US00D440721S

(12) **United States Design Patent**  
**Hirokawa**

(10) **Patent No.:** **US D440,721 S**

(45) **Date of Patent:** **\*\* Apr. 17, 2001**

(54) **PORTION OF A FLOOR NOZZLE FOR A VACUUM CLEANER**

(75) Inventor: **Setsu Hirokawa**, Tokyo (JP)

(73) Assignee: **Kabushiki Kaisha Toshiba**, Kawasaki (JP)

(\*\*) Term: **14 Years**

(21) Appl. No.: **29/121,982**

(22) Filed: **Apr. 19, 2000**

(30) **Foreign Application Priority Data**

Oct. 19, 1999 (JP) ..... 11-28678

(51) **LOC (7) Cl.** ..... **15-05**

(52) **U.S. Cl.** ..... **D32/32**

(58) **Field of Search** ..... D32/22, 25, 31-33;  
15/347, 350, 352, 353, 337, 320-322, 379,  
400, 415.1-422.1

(56) **References Cited**

**U.S. PATENT DOCUMENTS**

- D. 216,738 \* 3/1970 Domstedt et al. .... D32/33
- D. 280,033 \* 8/1985 Miyamoto et al. .... D32/22
- D. 290,894 \* 7/1987 Miyamoto et al. .... D32/22
- D. 290,895 \* 7/1987 Thomas et al. .... D32/22
- D. 295,092 \* 4/1988 Mizuno et al. .... D32/32
- D. 301,649 \* 6/1989 Yamamoto et al. .... D32/22

- D. 303,173 \* 8/1989 Miyamoto et al. .... D32/22
- D. 333,539 \* 2/1993 Kramer et al. .... D32/32
- D. 399,618 \* 10/1998 Jacobs ..... D32/22
- D. 418,266 \* 12/1999 Medema et al. .... D32/22
- 4,953,253 9/1990 Fukuda et al. .

\* cited by examiner

*Primary Examiner*—Ruth McInroy

(74) *Attorney, Agent, or Firm*—Banner & Witcoff, Ltd.

(57) **CLAIM**

The ornamental design for a portion of a floor nozzle for a vacuum cleaner, as shown and described.

**DESCRIPTION**

FIG. 1 is a top, front and right side perspective view of a portion of a floor nozzle for a vacuum cleaner showing my new design,

FIG. 2 is a front elevational view thereof,

FIG. 3 is a right side elevational view thereof, the left side being a mirror image thereof,

FIG. 4 is a top plan view thereof; and,

FIG. 5 is a rear elevational view thereof.

The broken line showing of the remainder of the floor nozzle for a vacuum cleaner is for illustrative purposes only and forms no part of the claimed design. Also, the underside of the portion of a floor nozzle for a vacuum cleaner forms no part of the claimed design.

**1 Claim, 3 Drawing Sheets**

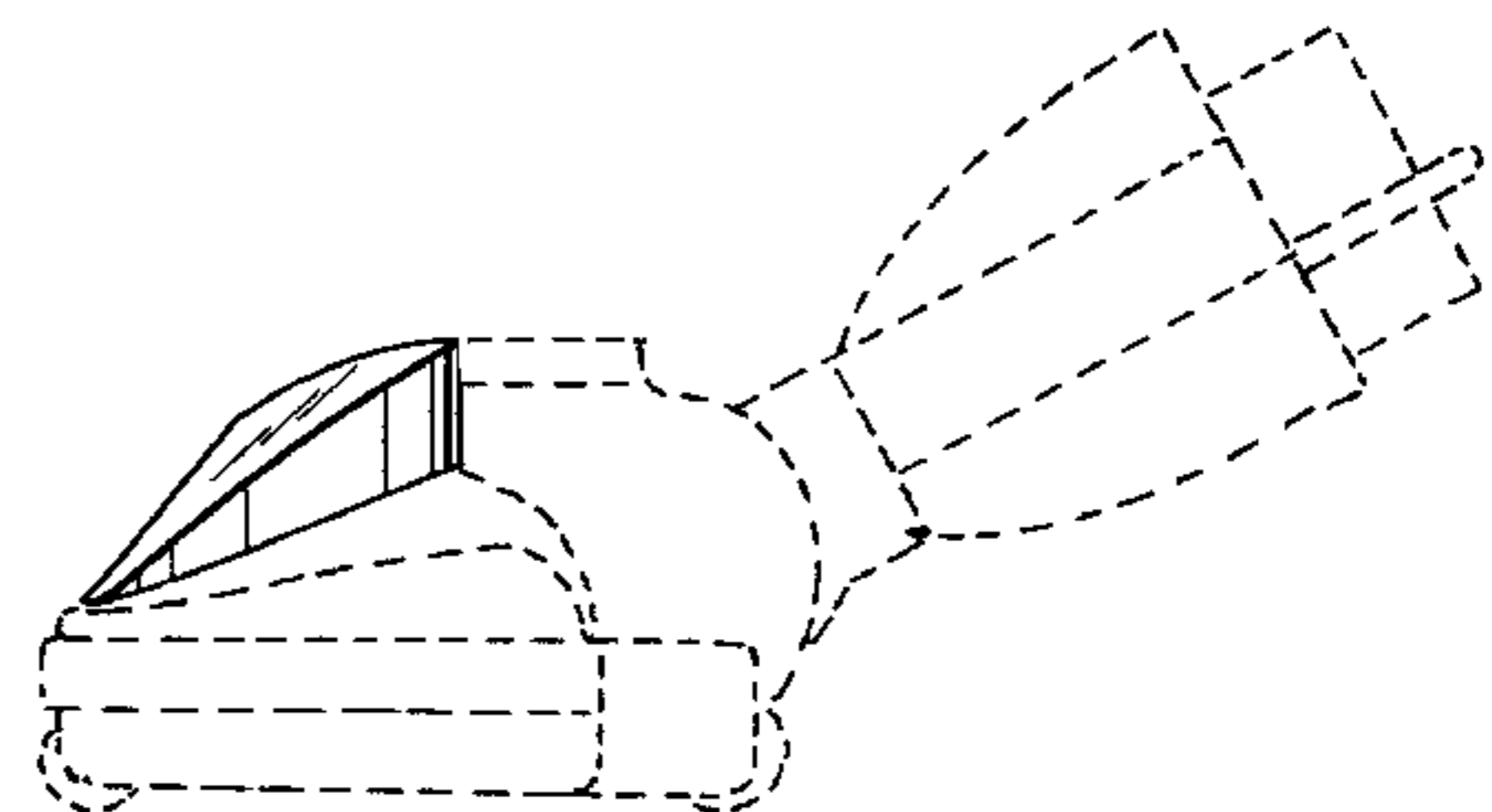
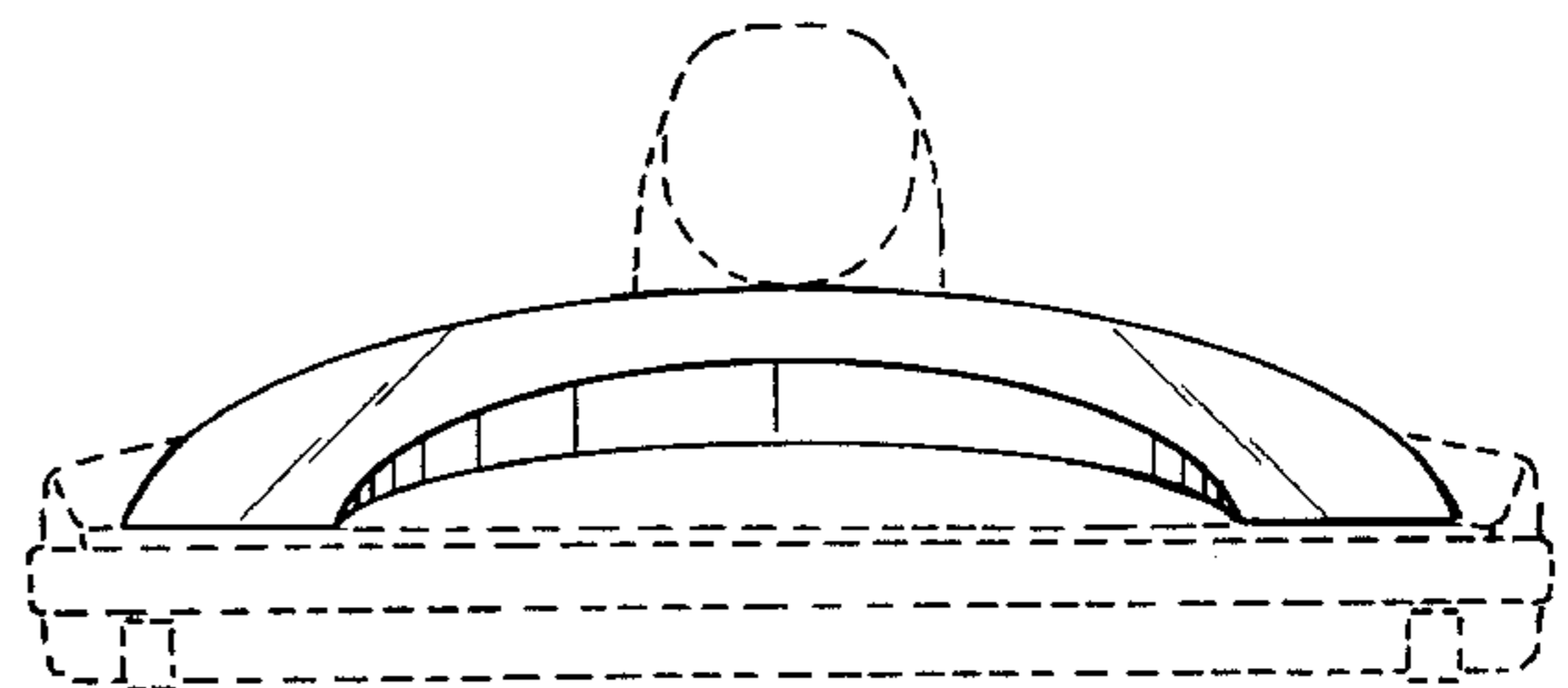
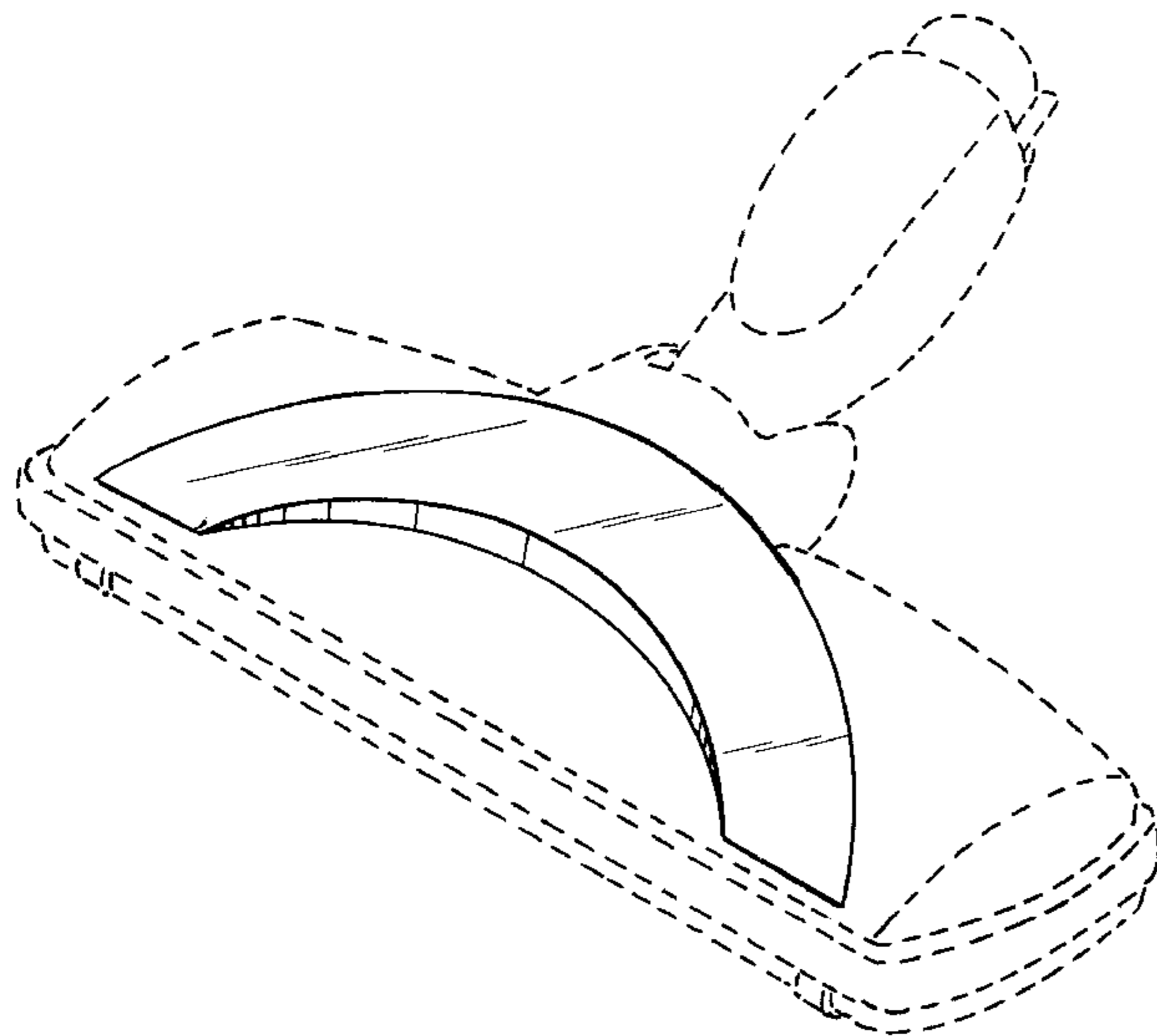


FIG. 1

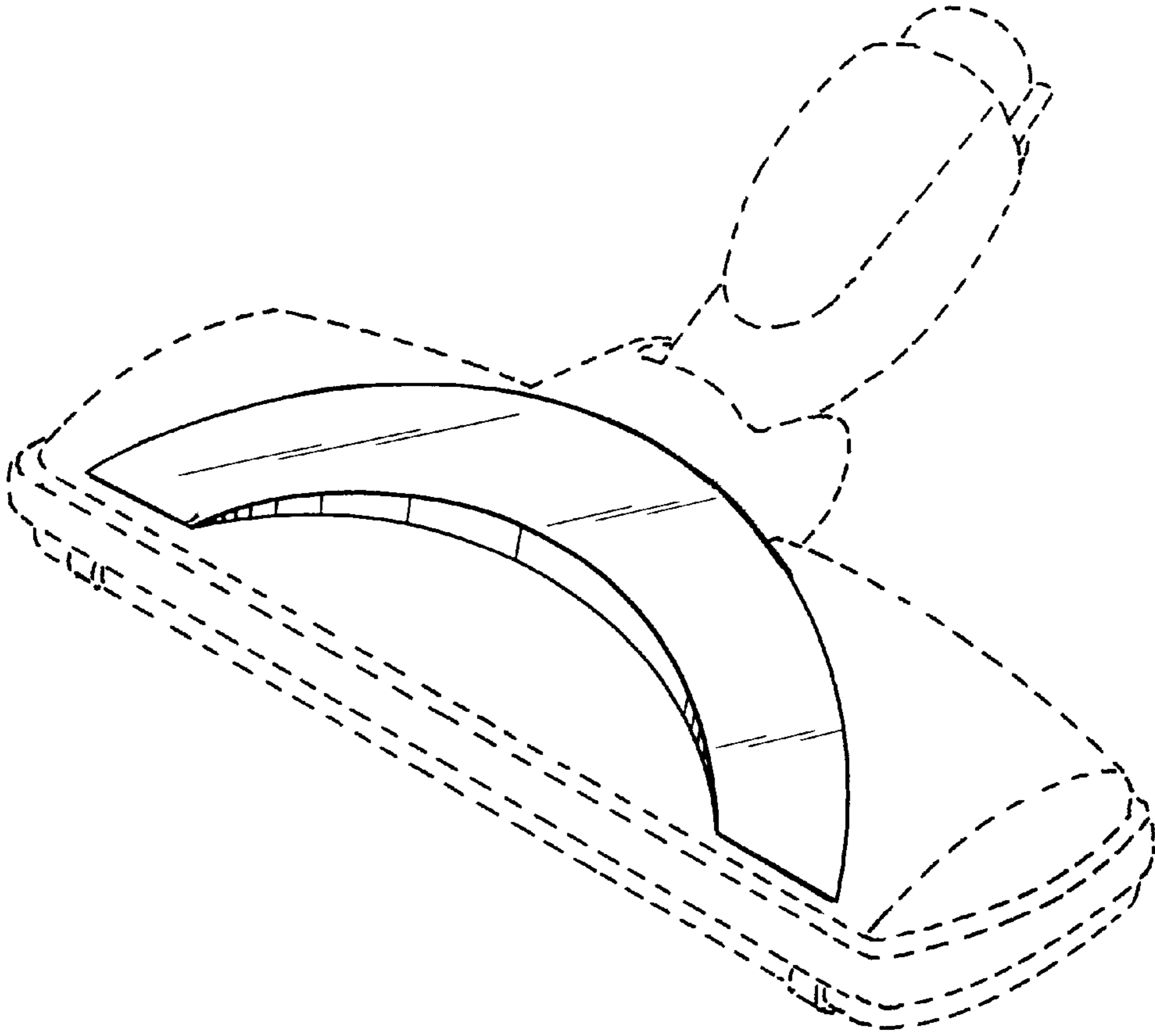


FIG. 2

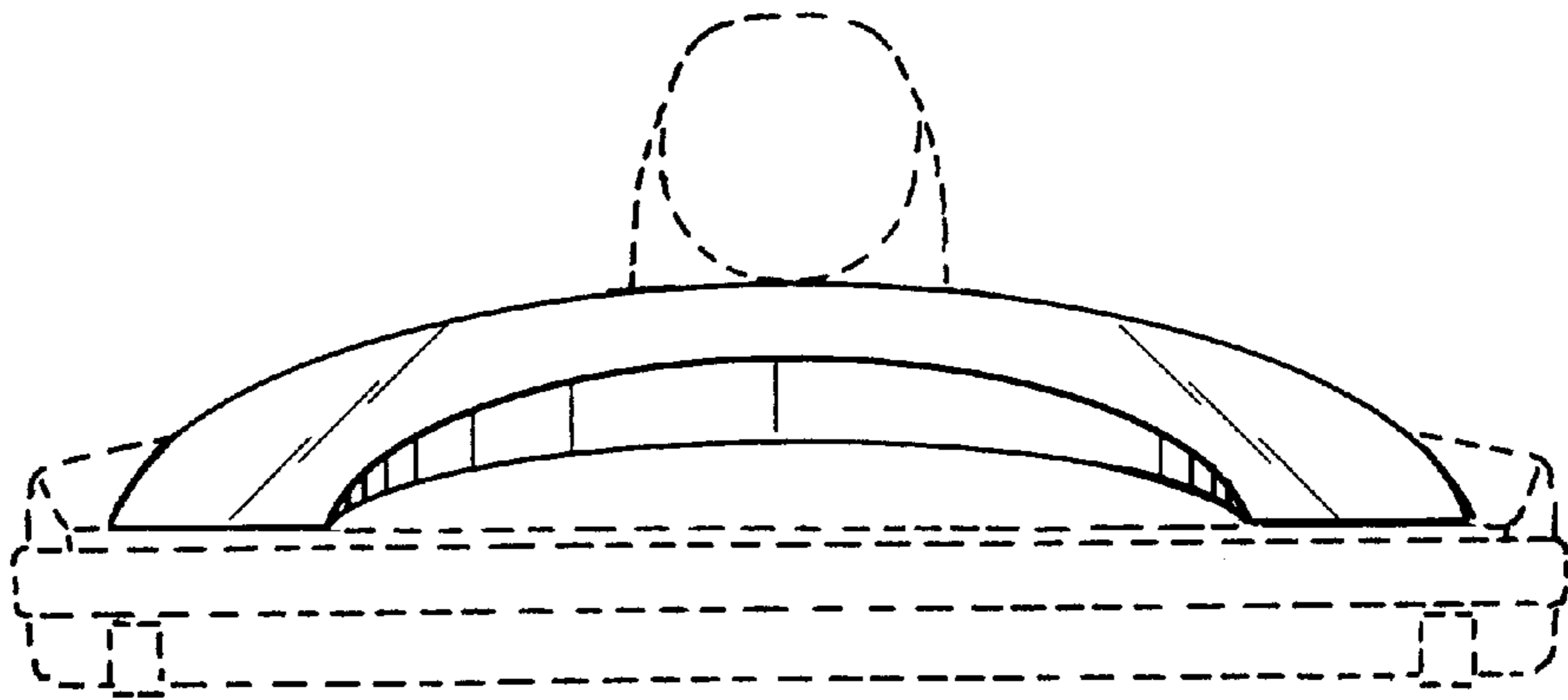


FIG. 3

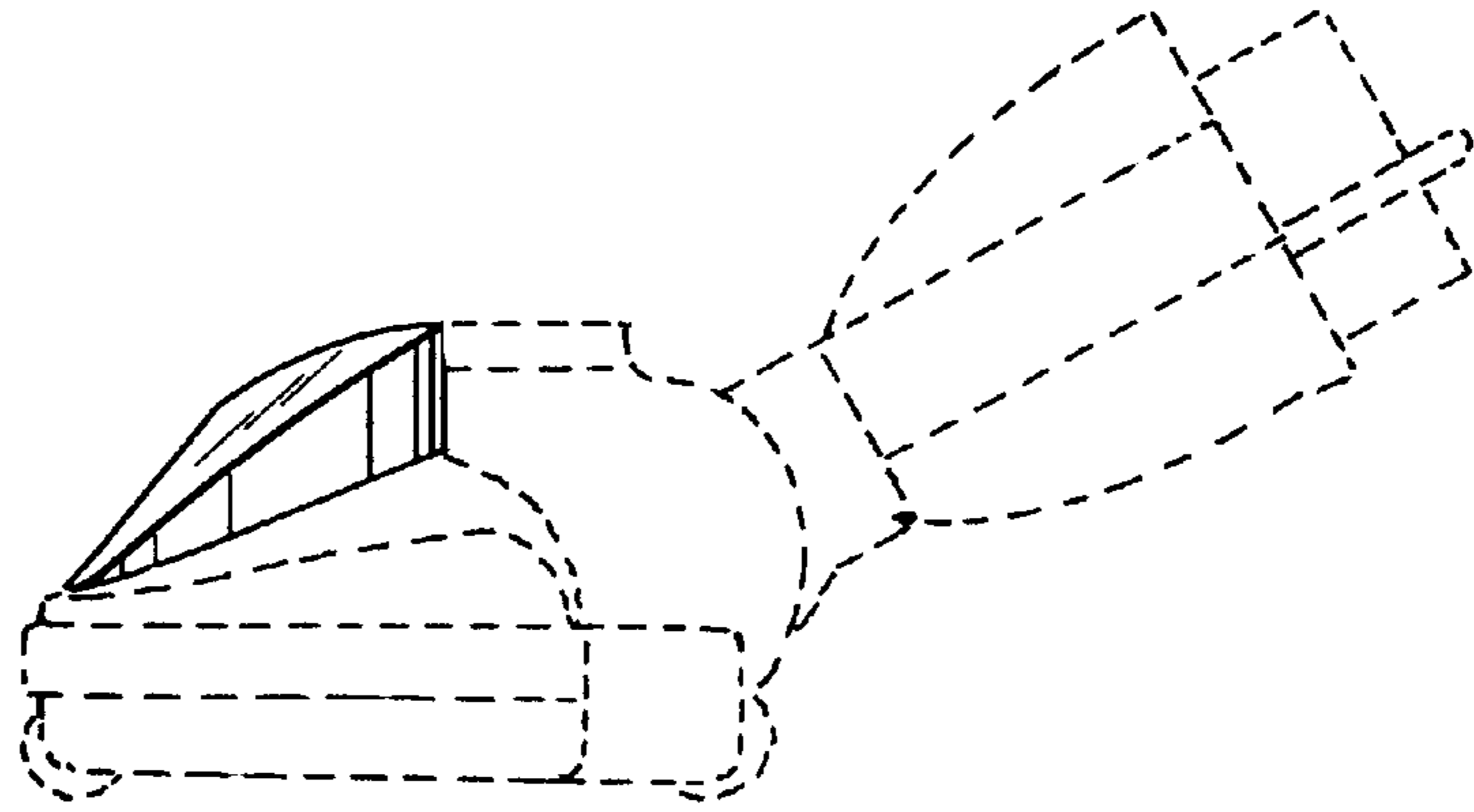


FIG. 4

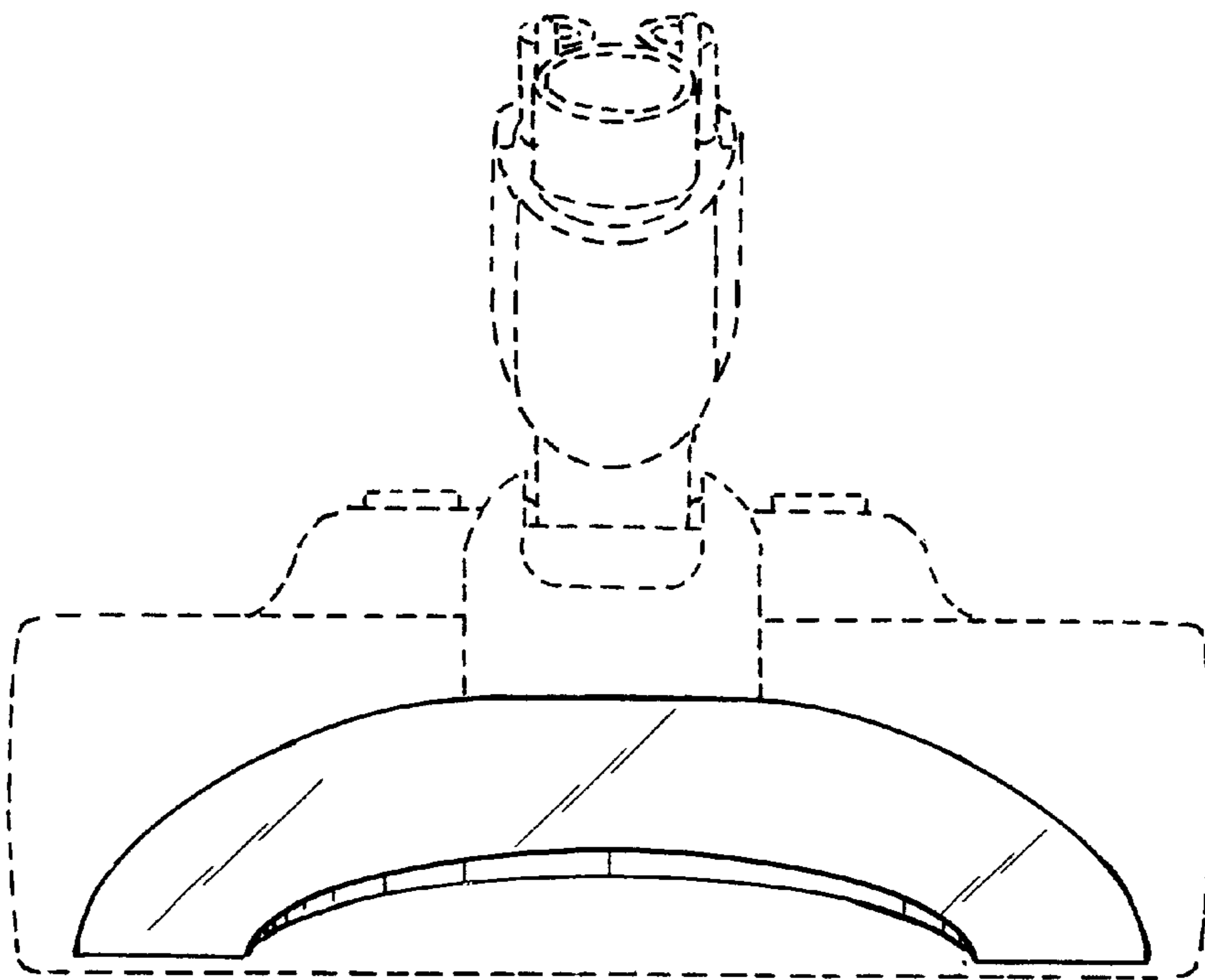


FIG. 5

