



US00D440719S

(12) **United States Design Patent**  
**Stratford**

(10) **Patent No.: US D440,719 S**

(45) **Date of Patent: \*\* \*Apr. 17, 2001**

(54) **HAND HELD VACUUM**

(75) Inventor: **Mark Stratford**, Darlington (GB)

(73) Assignee: **Black & Decker, Inc.**, Newark, DE (US)

(\* ) Notice: This patent is subject to a terminal disclaimer.

(\*\* ) Term: **14 Years**

(21) Appl. No.: **29/113,621**

(22) Filed: **Nov. 9, 1999**

(30) **Foreign Application Priority Data**

Aug. 10, 1999 (GB) ..... 2085691

(51) **LOC (7) Cl.** ..... **15-05**

(52) **U.S. Cl.** ..... **D32/18**

(58) **Field of Search** ..... D32/17-18, 21, D32/25, 31; 15/320-322, 352-353, 344, 329, 347

(56) **References Cited**

**U.S. PATENT DOCUMENTS**

- D. 275,427 \* 9/1984 Kishi et al. .... D32/18
- D. 283,064 3/1986 Thomas et al. .
- D. 287,893 \* 1/1987 Fujii et al. .... D32/18
- D. 289,576 4/1987 Okada et al. .
- D. 301,645 6/1989 Nishikawa .
- D. 301,646 6/1989 Yamamoto et al. .
- D. 302,057 7/1989 Fujii et al. .
- D. 305,167 12/1989 Case et al. .
- D. 306,505 3/1990 Bradd .
- D. 313,831 1/1991 Gildersleeve .
- D. 314,846 2/1991 deBlois .
- D. 320,099 9/1991 Case et al. .
- D. 325,271 4/1992 Osit .
- D. 326,169 5/1992 Stutzer et al. .
- D. 352,141 11/1994 Correa et al. .
- D. 352,807 11/1994 Sanderud .

- D. 356,191 \* 3/1995 Phelan ..... D32/18
- D. 357,772 4/1995 Yuen .
- D. 379,690 \* 6/1997 Howell et al. .... D32/18
- D. 381,476 7/1997 Hoffman .
- D. 387,516 \* 12/1997 Murray et al. .... D32/18
- D. 401,021 \* 11/1998 Stephens et al. .... D32/18
- D. 404,857 1/1999 Ng .
- D. 421,671 \* 3/2000 Thomas et al. .... D32/18

**FOREIGN PATENT DOCUMENTS**

- M8804320 6/1989 (DE) .
- M8904894 2/1990 (DE) .
- M9209313 7/1993 (DE) .
- M9300664 7/1993 (DE) .
- M9504565 2/1996 (DE) .
- M9603734 12/1996 (DE) .
- DM/007 642 10/1986 (XH) .
- DM/018 710 1/1991 (XH) .
- DM/039 655 5/1996 (XH) .

\* cited by examiner

*Primary Examiner*—Ruth McInroy

(74) *Attorney, Agent, or Firm*—Ajay K. Gambhir

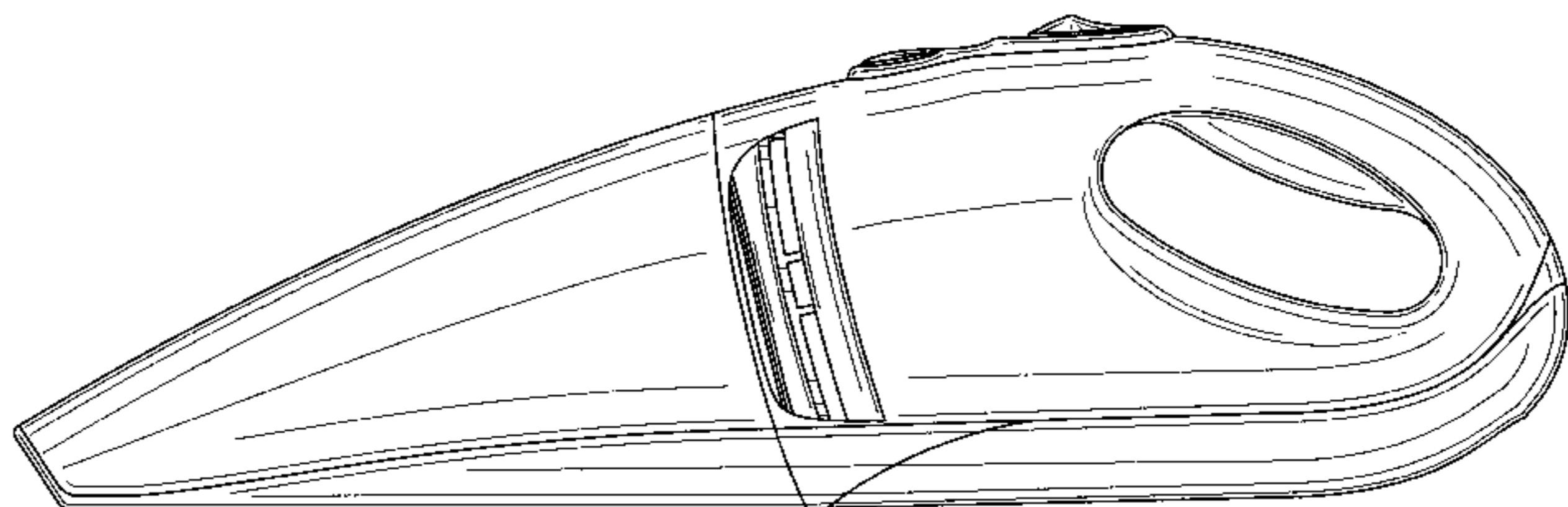
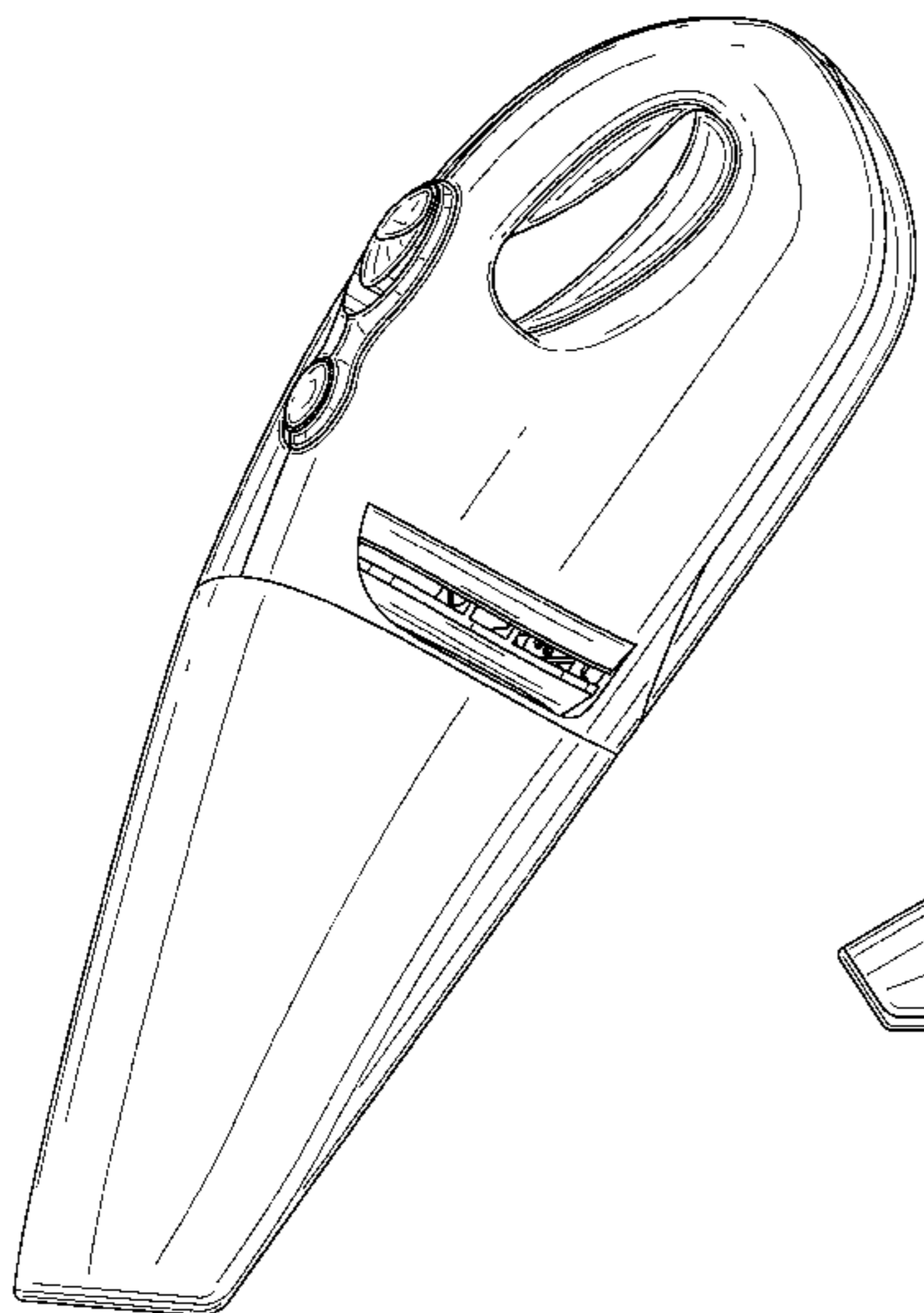
(57) **CLAIM**

The ornamental design for a hand held vacuum, as shown and described.

**DESCRIPTION**

FIG. 1 is a perspective view of a hand held vacuum taken from the front and one side;  
 FIG. 2 is a perspective view thereof, taken from below, and one side;  
 FIG. 3 is a front elevational view thereof;  
 FIG. 4 is a rear elevational view thereof;  
 FIG. 5 is a side elevational view thereof, taken from the side opposite that illustrated in FIG. 1;  
 FIG. 6 is a side elevational view thereof, taken from the side illustrated in FIG. 1;  
 FIG. 7 is a top plan view thereof; and,  
 FIG. 8 is a bottom plan view thereof.

**1 Claim, 7 Drawing Sheets**



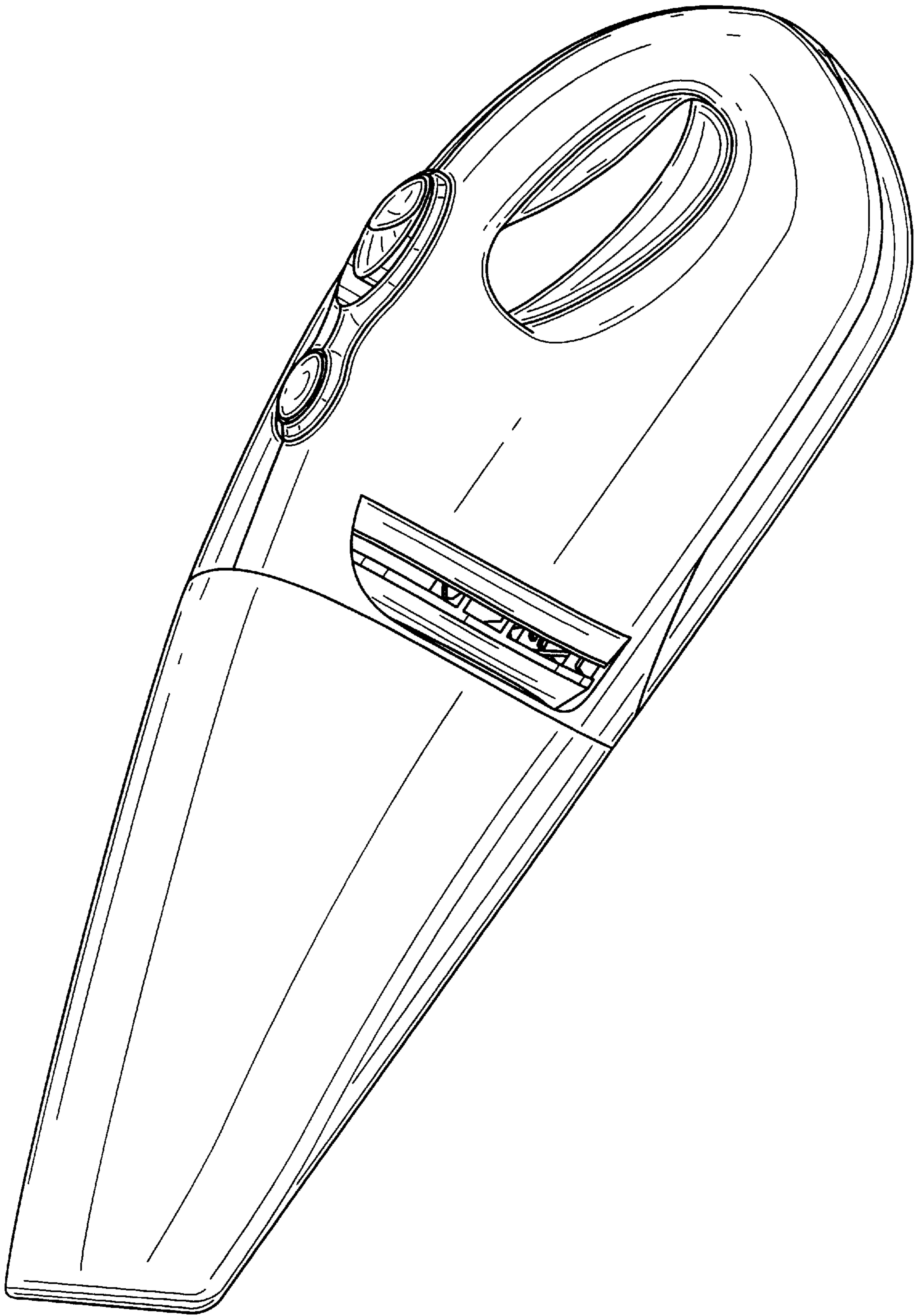


FIG. 1

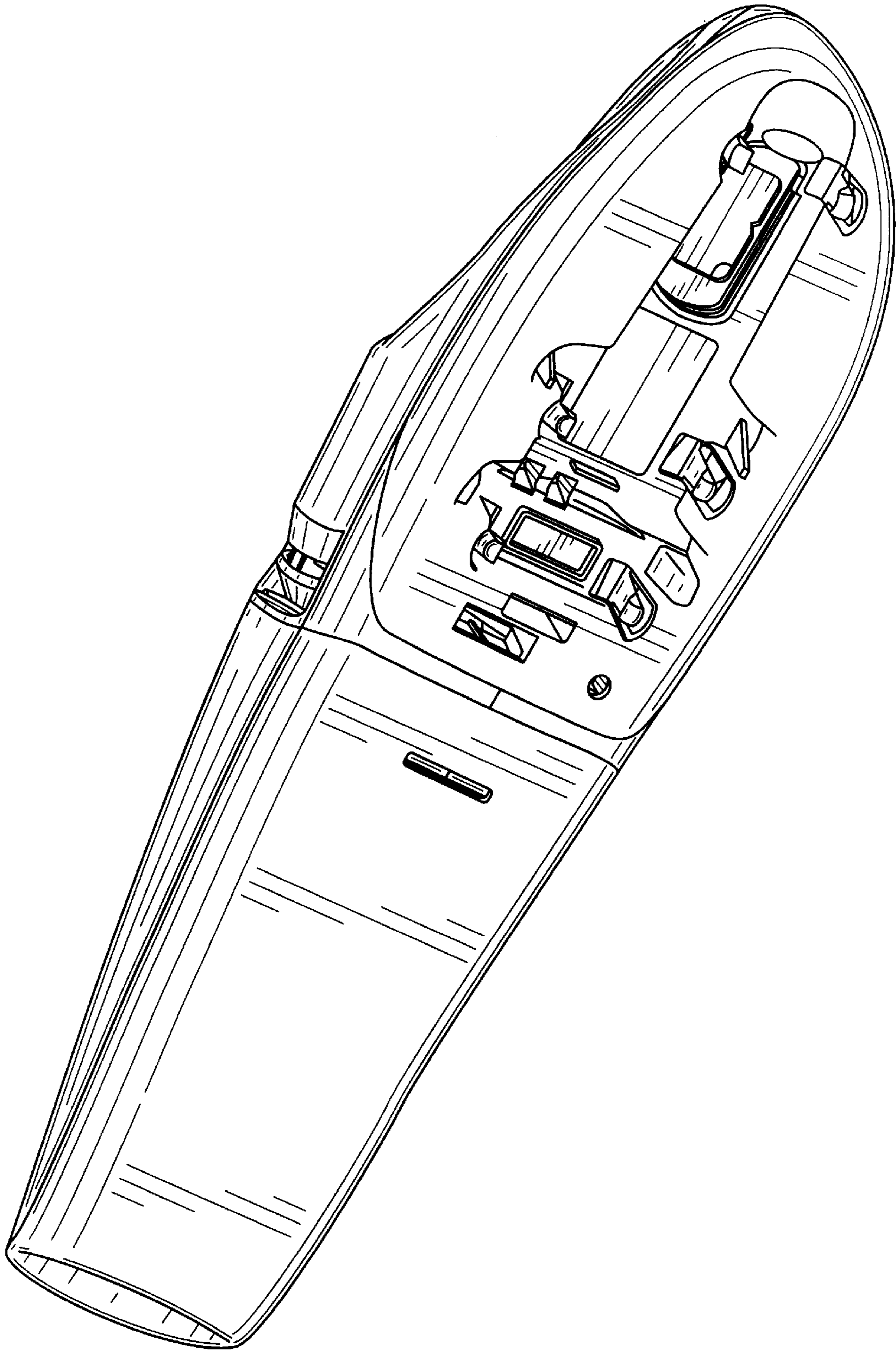


FIG. 2

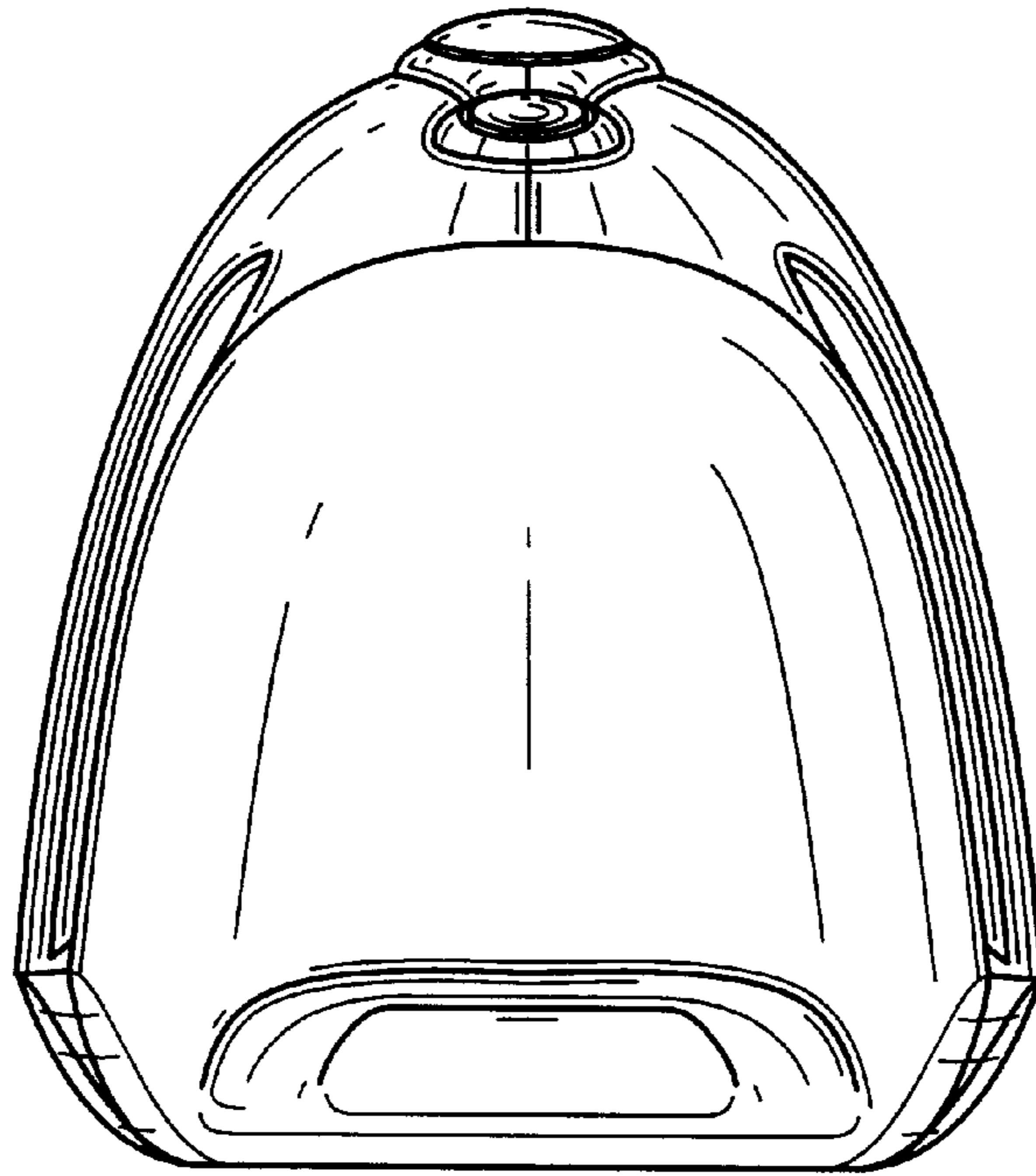


FIG. 3

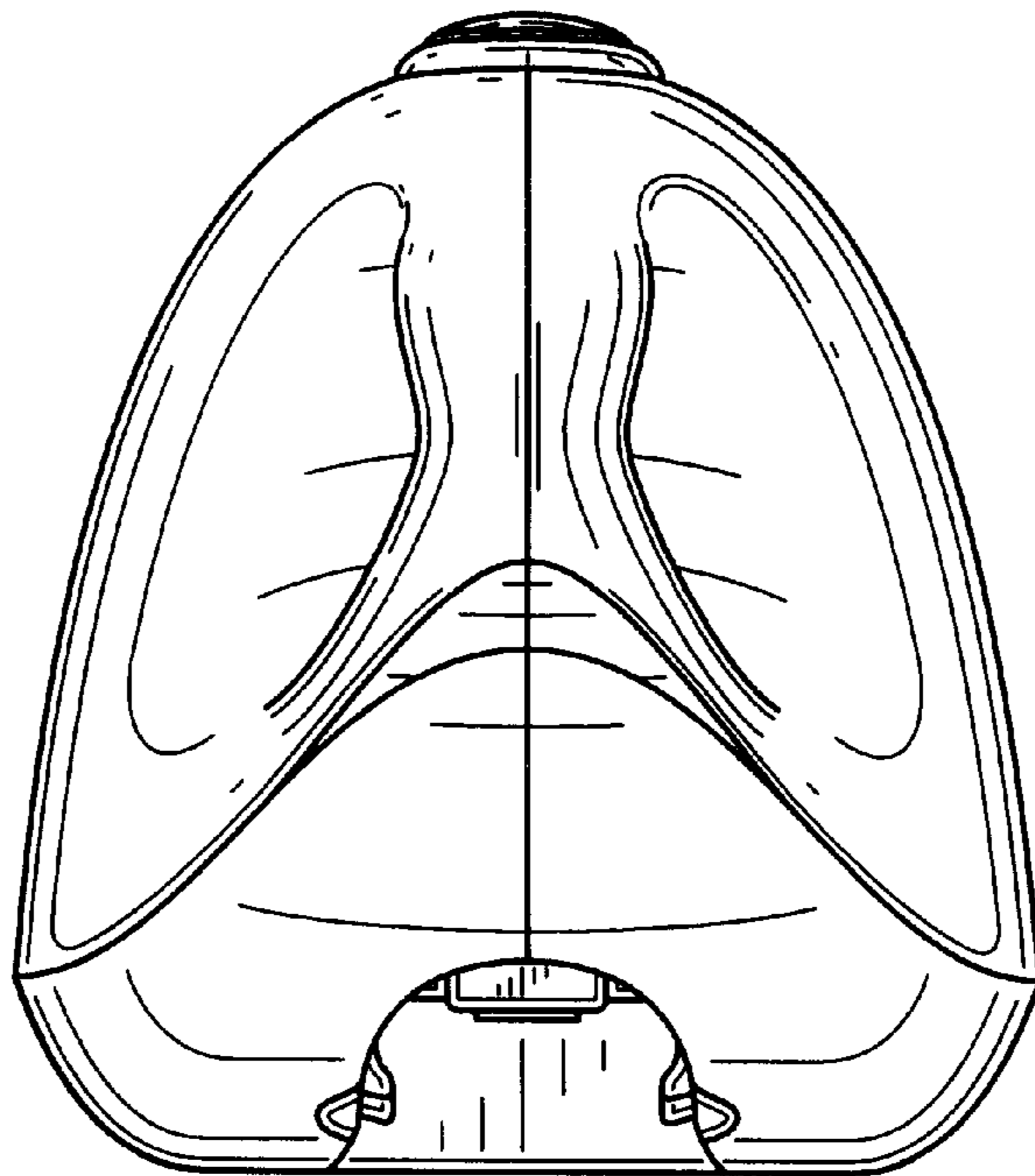


FIG. 4

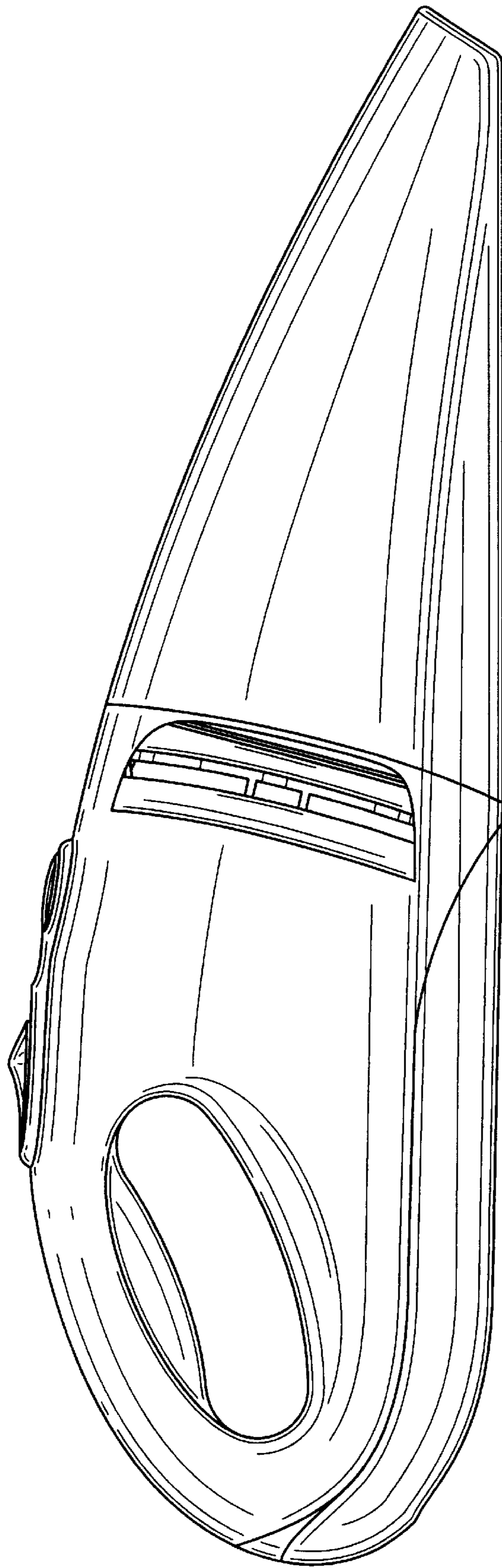


FIG. 5

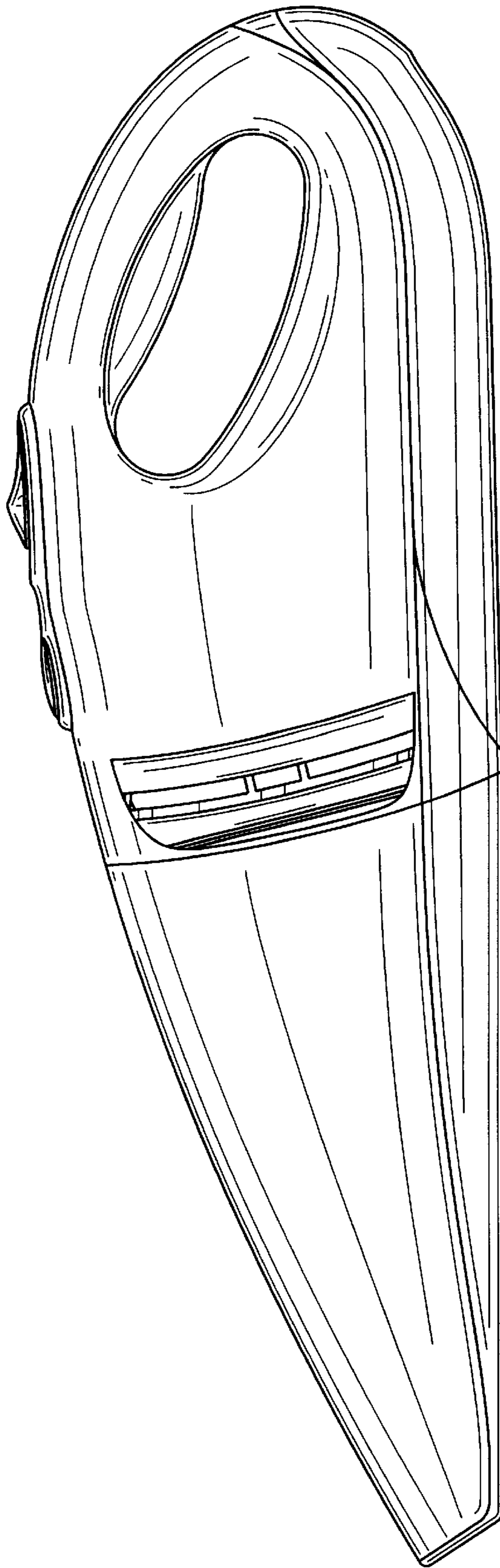


FIG. 6

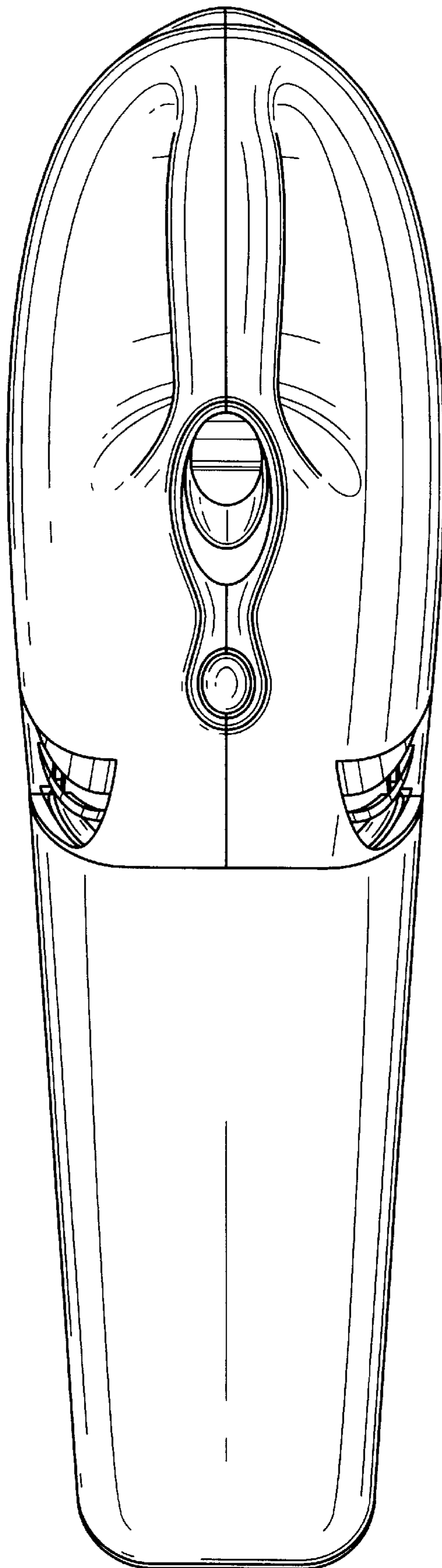


FIG. 7

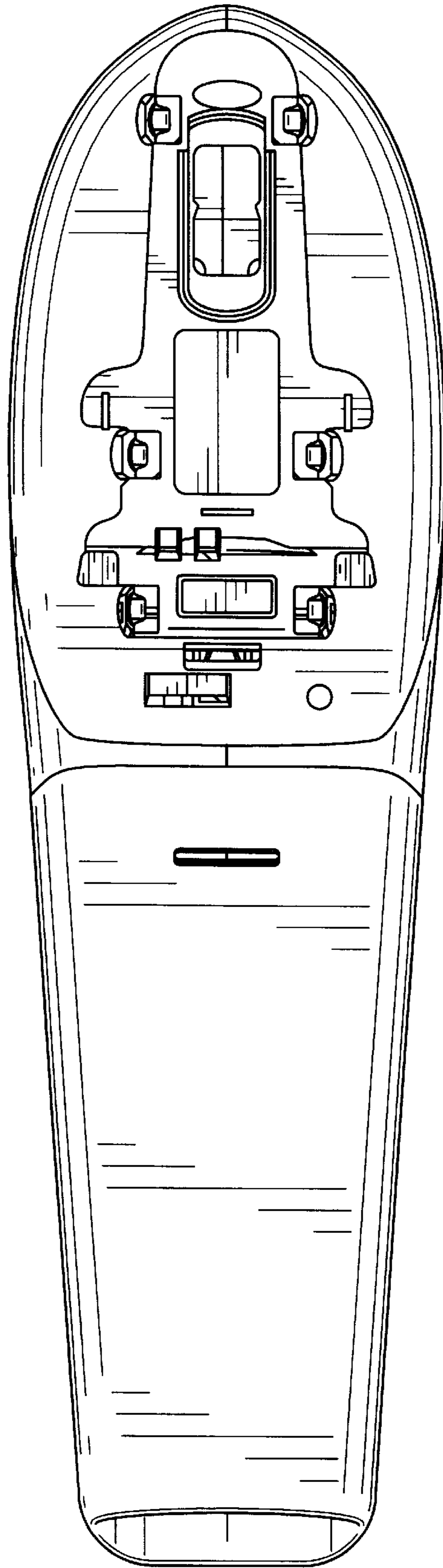


FIG. 8