



US00D440717S

(12) **United States Design Patent**  
**Fazio**

(10) **Patent No.:** **US D440,717 S**

(45) **Date of Patent:** **\*\* Apr. 17, 2001**

(54) **PET RAMP**

(76) Inventor: **Jean M. Fazio**, P.O. Box 216, Freedom, NH (US) 03836

(\*\*) Term: **14 Years**

(21) Appl. No.: **29/124,973**

(22) Filed: **Jun. 15, 2000**

(51) **LOC (7) Cl.** ..... **30-02**

(52) **U.S. Cl.** ..... **D30/119**; 119/706

(58) **Field of Search** ..... D30/108-112,  
D30/118-119, 161; 119/452-453, 455,  
459-471, 531, 702-706, 161-171, 428-435

(56) **References Cited**

**U.S. PATENT DOCUMENTS**

D. 300,073	2/1989	Crump .	
D. 360,494	* 7/1995	Therriault .....	D30/118
D. 375,388	* 11/1996	Tsugita .....	D30/118
D. 382,676	8/1997	Holbrook .	
D. 383,261	* 9/1997	Karsten et al. ....	D30/160
D. 388,555	* 12/1997	Lewis .....	D30/108
D. 398,087	* 9/1998	Pritzker et al. ....	D30/160
D. 412,224	7/1999	Adler .	
D. 420,175	* 2/2000	Garrels, Jr. ....	D30/119
D. 429,038	* 8/2000	Forester .....	D30/119
1,679,945	* 8/1928	Rieder .....	119/843
2,579,797	* 12/1951	Churchfield et al. ....	119/28.5
3,159,141	* 12/1964	Paterek .....	119/706
3,173,398	* 3/1965	Raymond .....	119/28.5
3,797,461	* 3/1974	Breeden .....	119/482

4,112,873	9/1978	Van Zandt .	
4,497,279	* 2/1985	Bell .....	119/706
5,213,060	* 5/1993	Sloan et al. ....	119/847
5,634,440	6/1997	Mogck .	
5,813,071	* 9/1998	Breslin et al. ....	14/71.1
5,870,788	2/1999	Witkin .	
6,035,475	* 3/2000	Alexander .....	14/71.1
6,076,215	* 6/2000	Blankenship et al. ....	14/71.1

\* cited by examiner

*Primary Examiner*—Cathy Anne MacCormac  
(74) *Attorney, Agent, or Firm*—Joseph R. Birkner

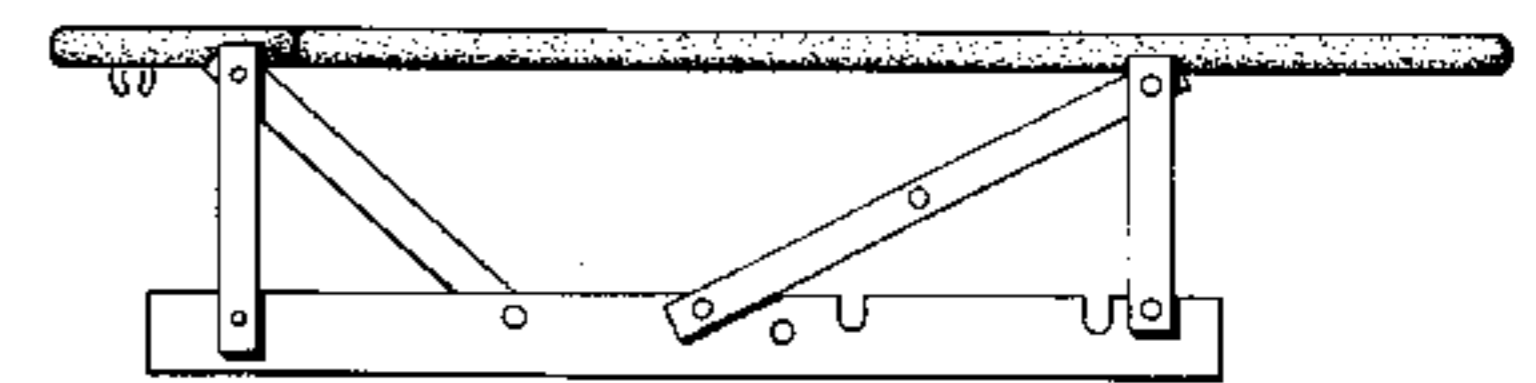
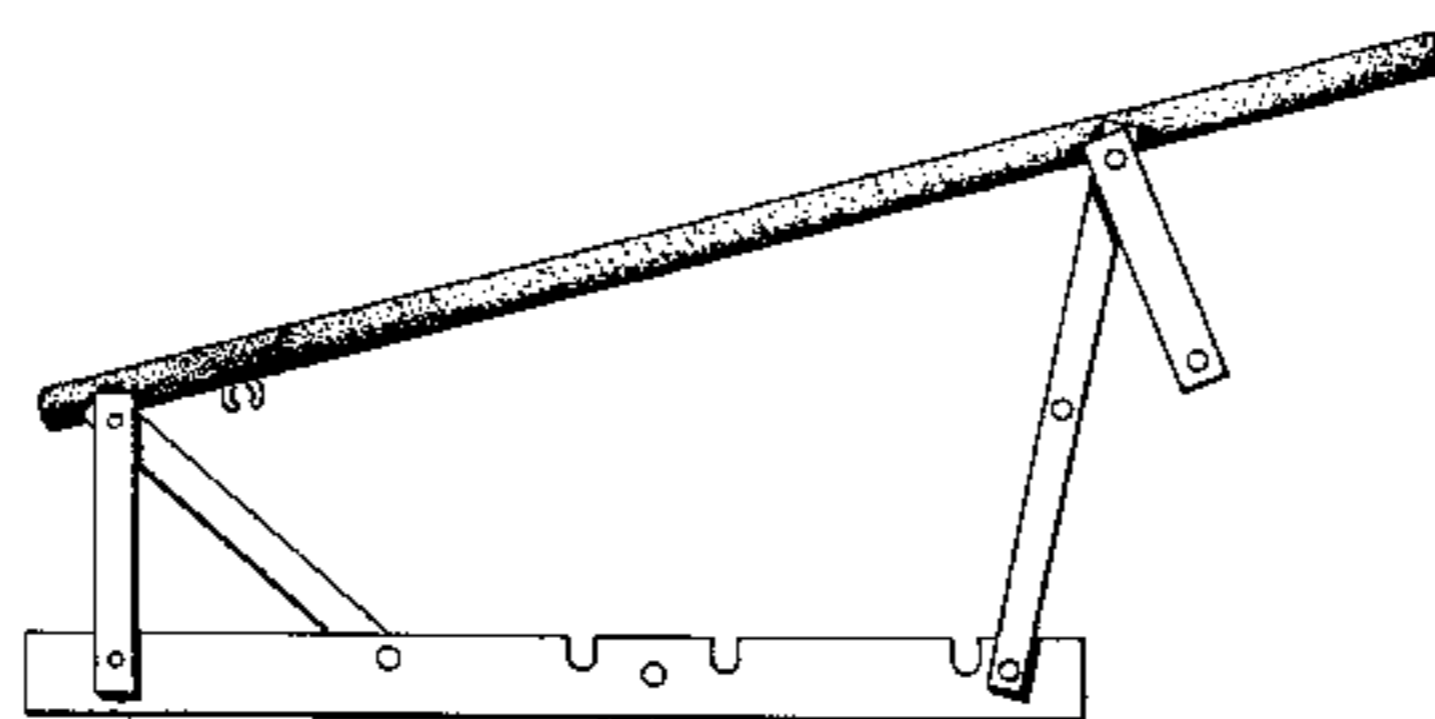
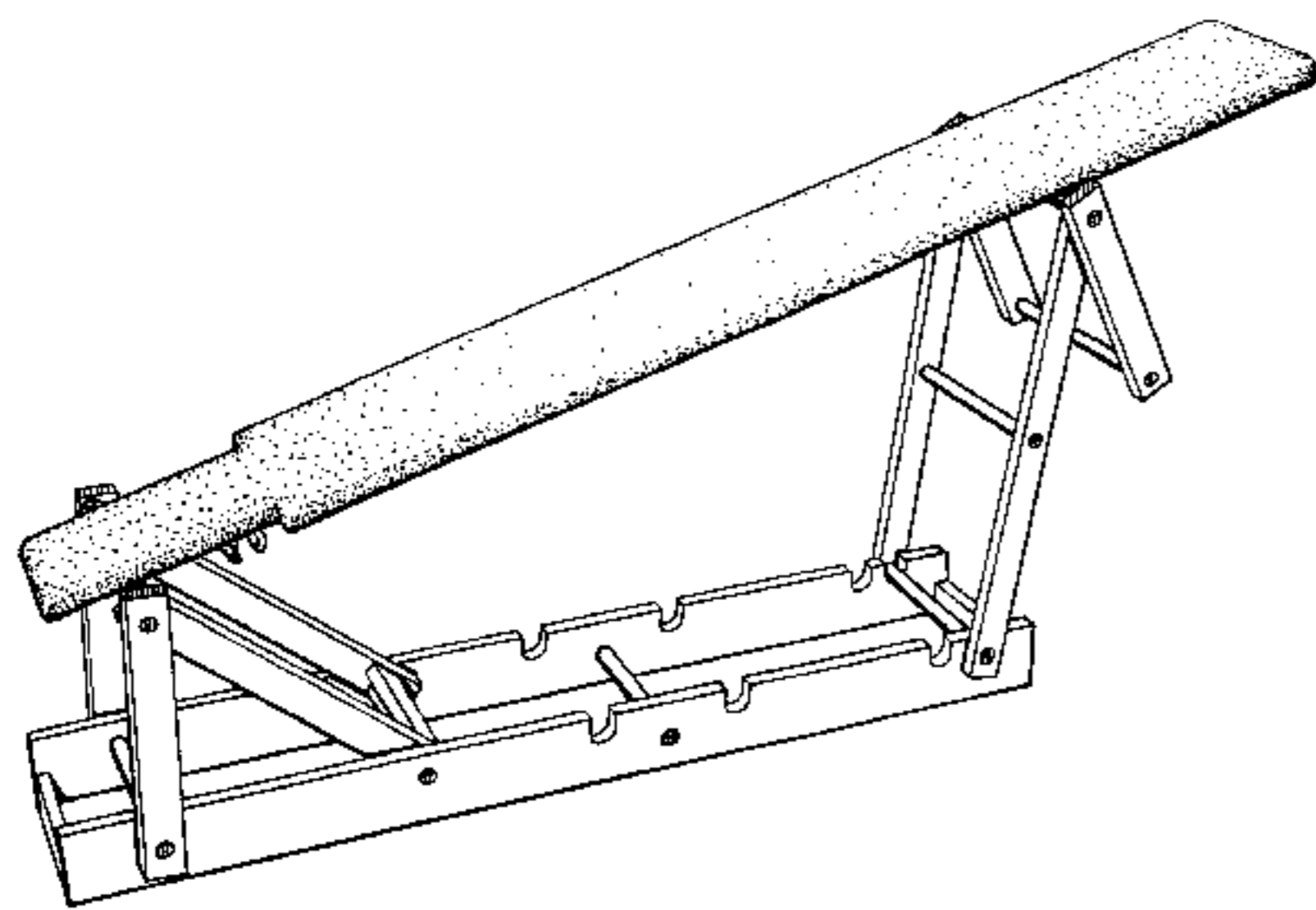
(57) **CLAIM**

The ornamental design for a pet ramp, as shown and described.

**DESCRIPTION**

FIG. 1 is a perspective view of a pet ramp showing my new design in a fully inclined angular position;  
FIG. 2 is a front elevation view of the pet ramp of FIG. 1, the rear being a mirror image;  
FIG. 3 is a left side elevation view of the pet ramp of FIG. 1;  
FIG. 4 is a right side elevation view of the pet ramp of FIG. 1;  
FIG. 5 is a top plan view of the pet ramp of FIG. 1;  
FIG. 6 is a bottom plan view of the pet ramp of FIG. 1; and,  
FIG. 7 is another right side elevation view of the pet ramp of FIG. 1 showing the pet ramp in a step position.

**1 Claim, 3 Drawing Sheets**



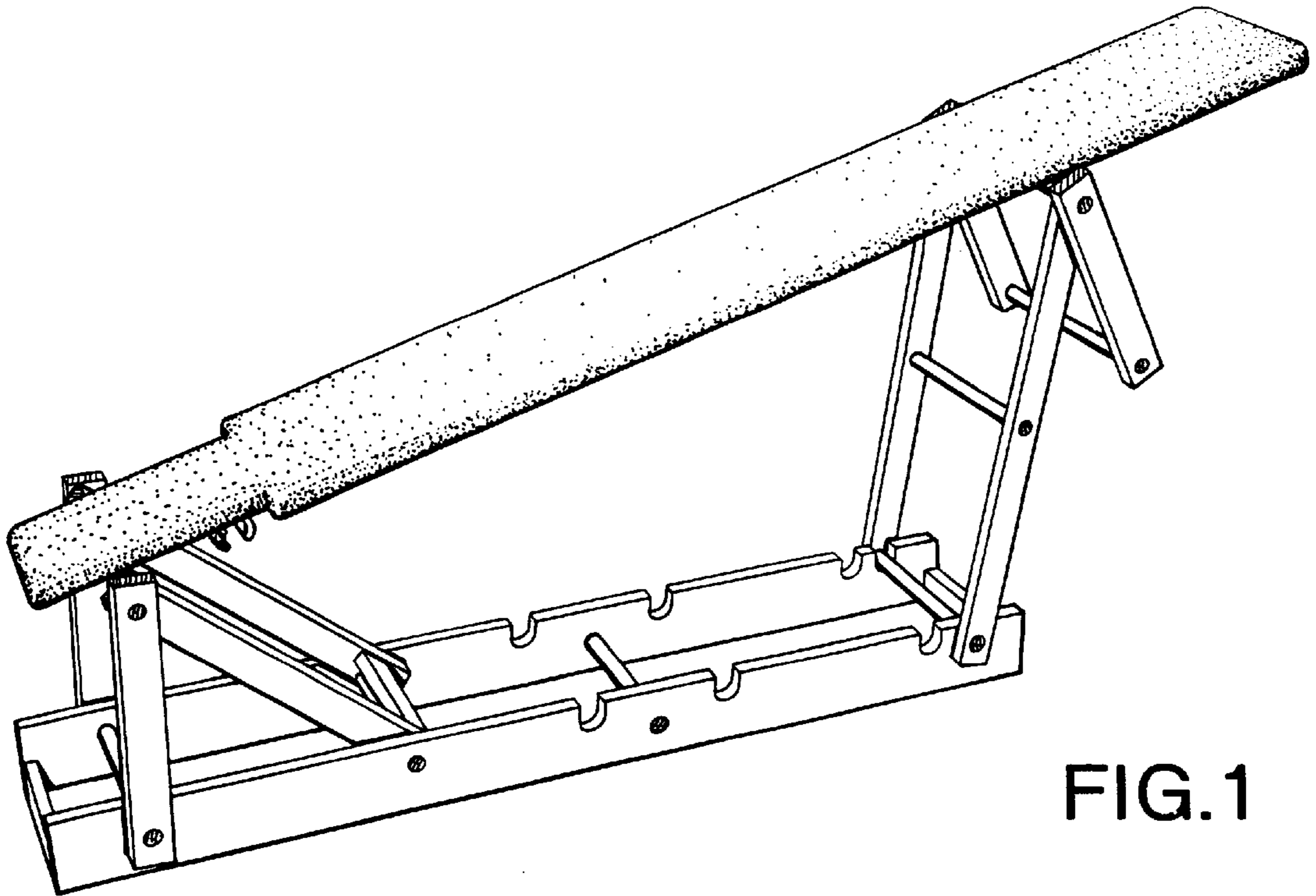


FIG. 1

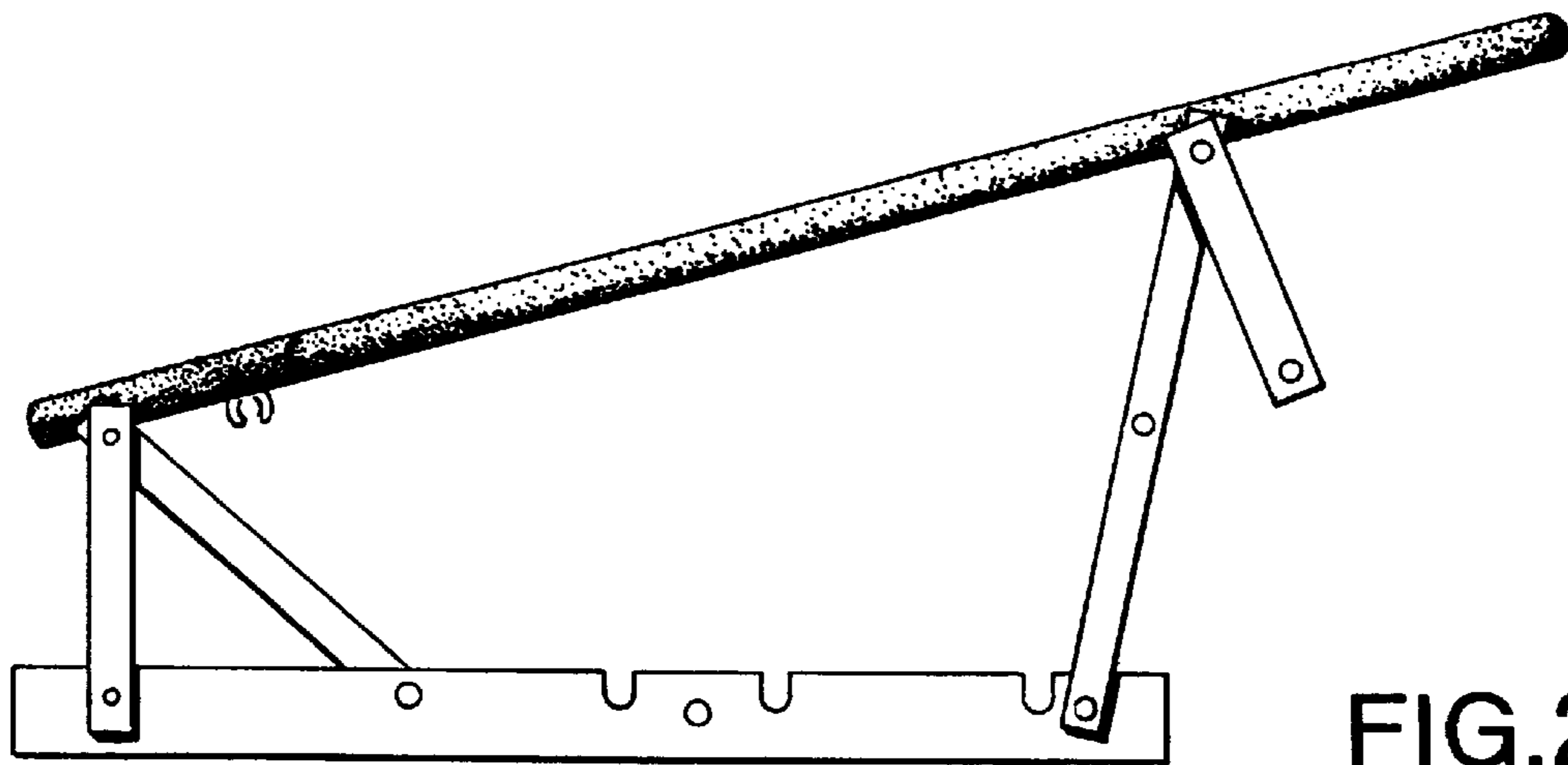


FIG. 2

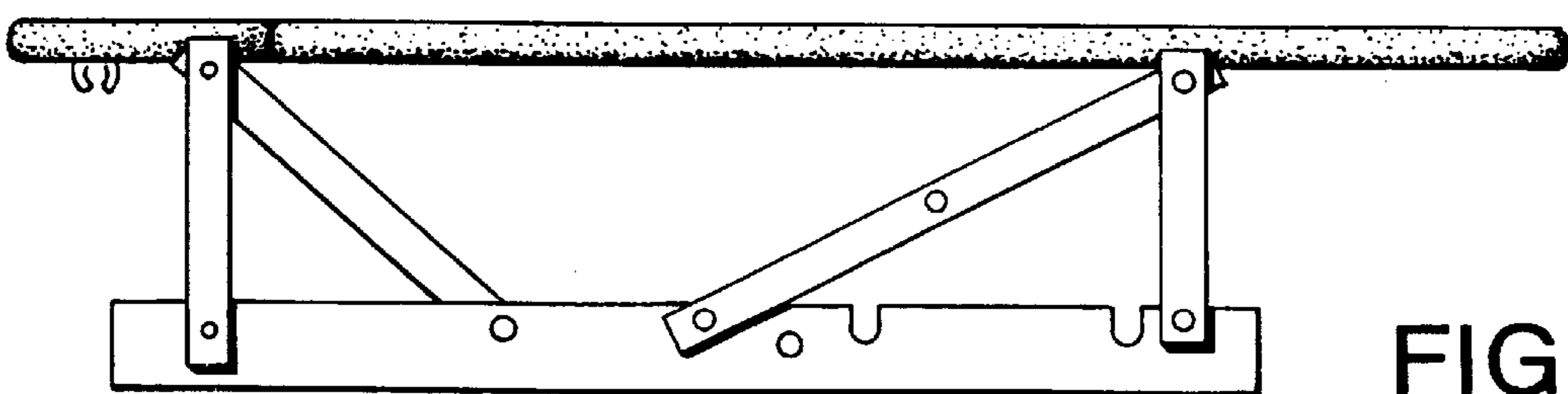


FIG. 7

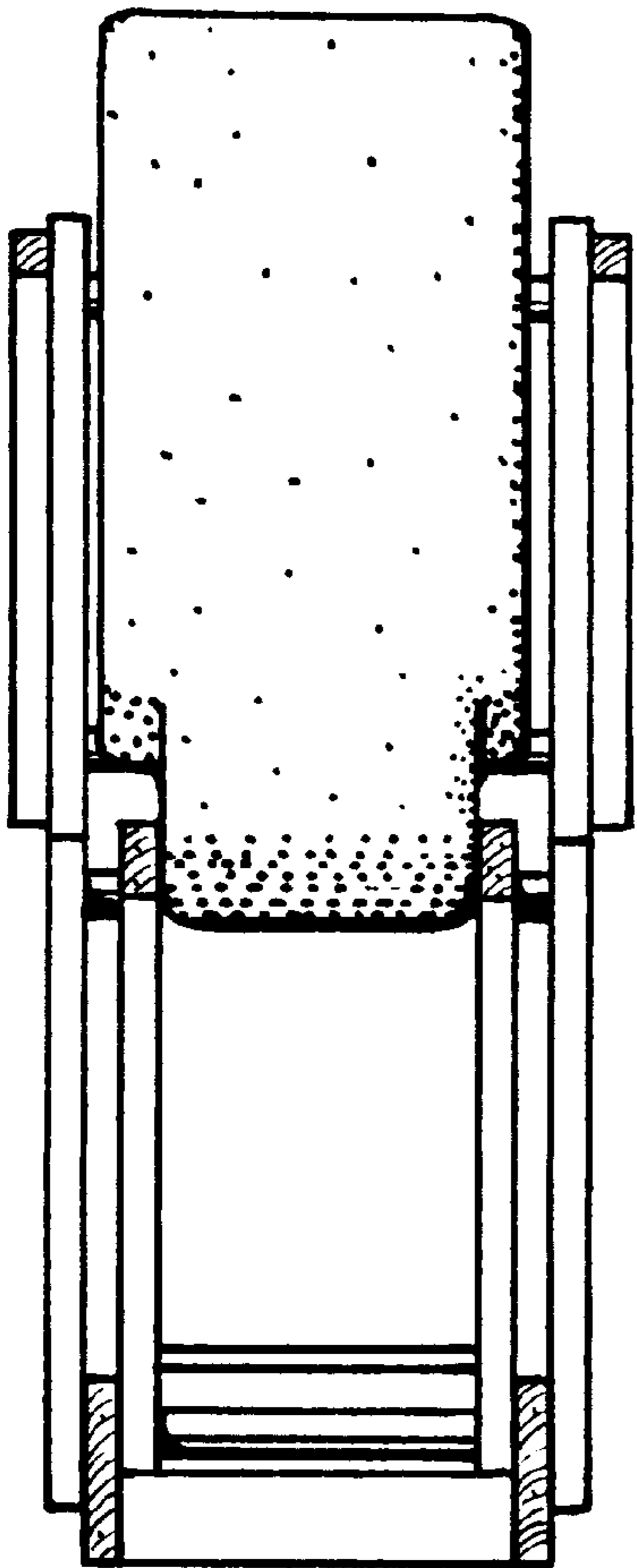


FIG. 3

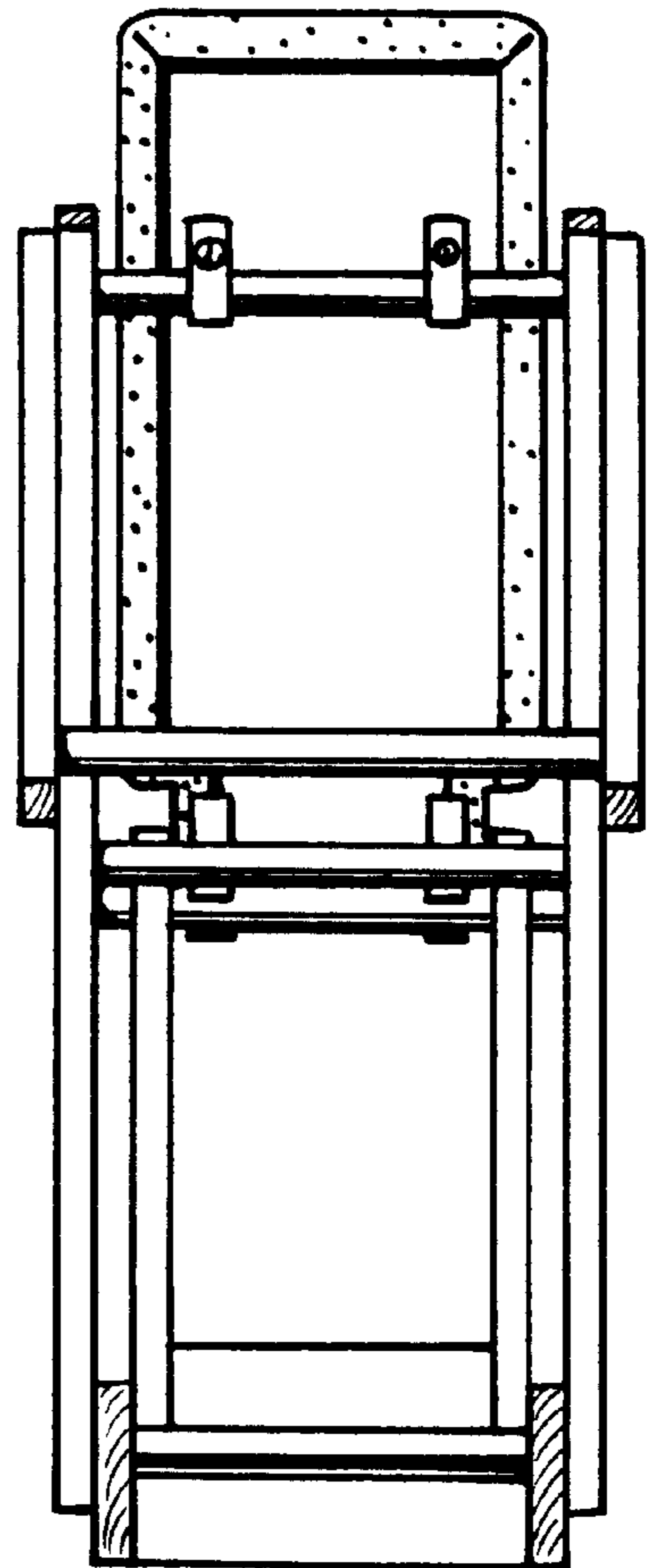


FIG. 4

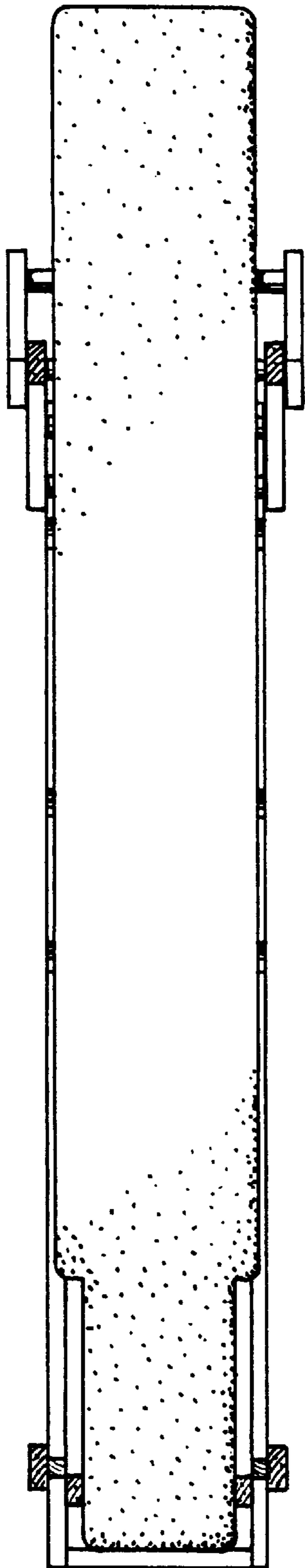


FIG. 5

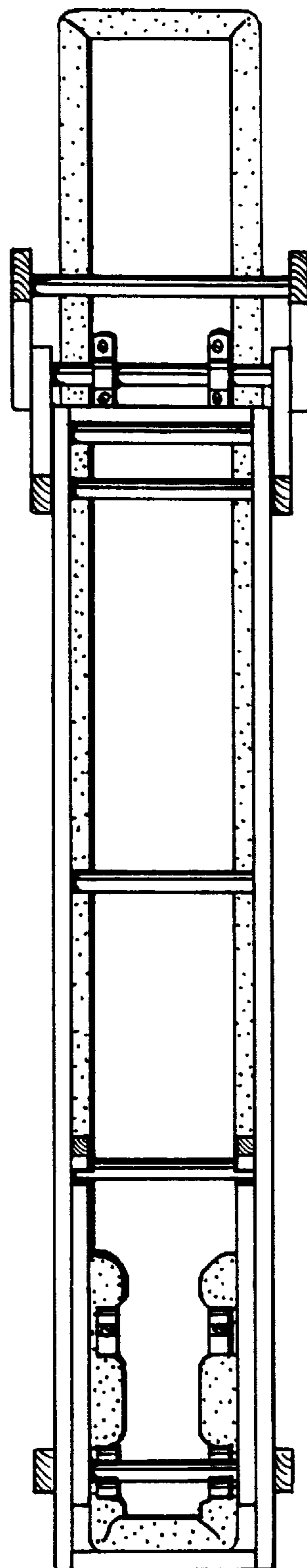


FIG. 6