



US00D440712S

(12) **United States Design Patent**
Lu

(10) **Patent No.:** **US D440,712 S**

(45) **Date of Patent:** **** Apr. 17, 2001**

(54) **WARMER**

5,948,302 * 9/1999 Horvath 219/433

(76) Inventor: **Dang Tho Lu**, 1028 N. Alameda, Los Angeles, CA (US) 90012

* cited by examiner

(**) Term: **14 Years**

Primary Examiner—Ted Shooman

Assistant Examiner—C Tuttle

(21) Appl. No.: **29/127,242**

(74) *Attorney, Agent, or Firm*—Sheldon & Mak; Danton K. Mak

(22) Filed: **Aug. 1, 2000**

(57) **CLAIM**

(51) **LOC (7) Cl.** **28-03**

The ornamental design for the warmer, as shown and described.

(52) **U.S. Cl.** **D28/61**

(58) **Field of Search** D78/9, 56, 61, D78/73; 132/73, 73.5, 73.6, 74.5, 75; D24/200, 201, 204–207; D7/323, 326, 327, 337; D23/205, 271, 314, 316, 328, 332; 601/17, 154, 155, 158; 219/201, 385, 386

DESCRIPTION

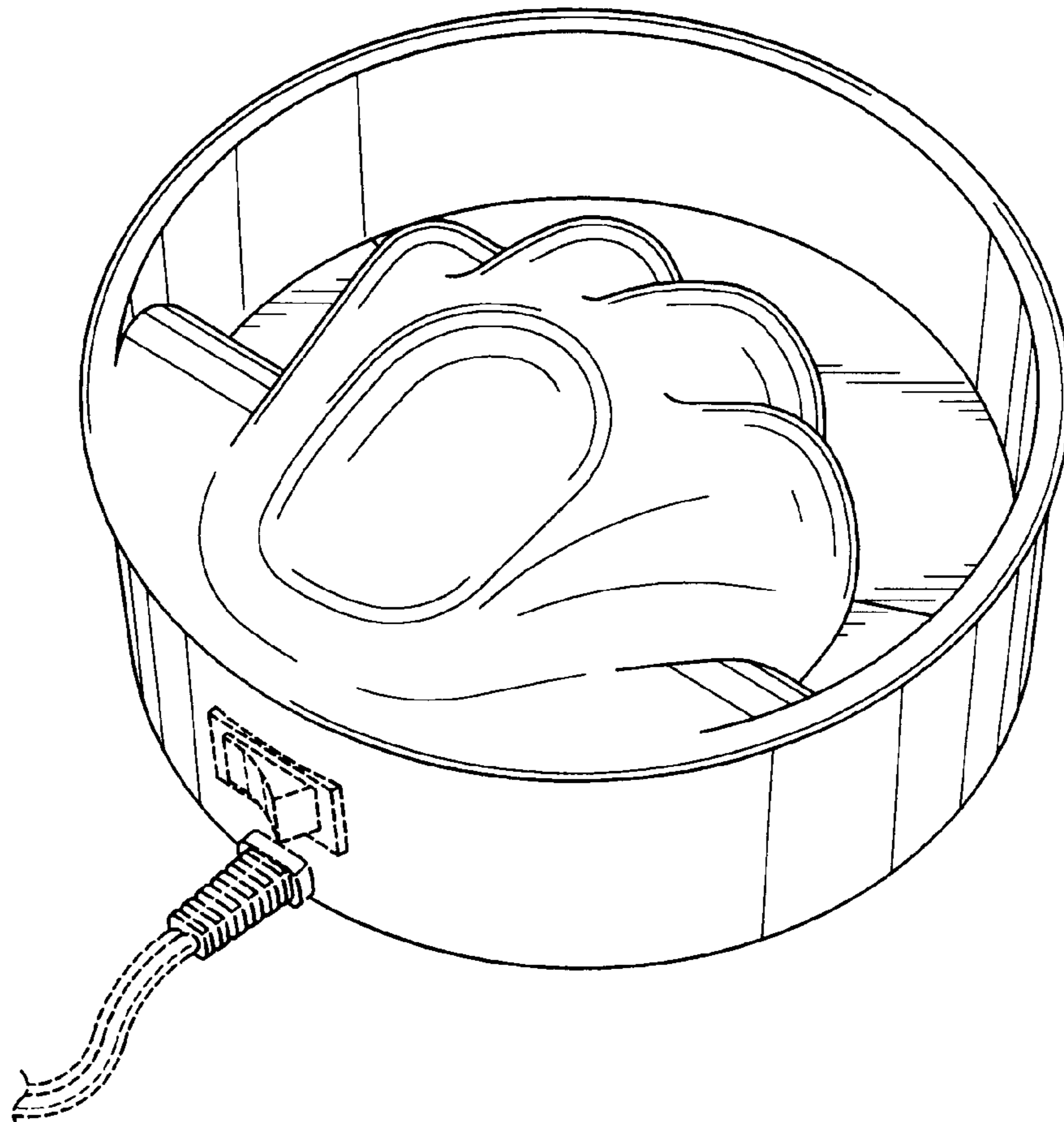
(56) **References Cited**

U.S. PATENT DOCUMENTS

- D. 155,435 * 10/1949 Mangold D28/61
- D. 167,672 * 9/1952 Blackburn D28/61
- D. 278,367 * 4/1985 Sussman D28/61
- 2,580,981 * 1/1952 Webster 132/73
- 4,307,738 * 12/1981 Barns 132/74.5
- 4,441,487 * 4/1984 Daugherty et al. 132/73 X

FIG. 1 is a top front perspective view of the warmer of the subject invention;
 FIG. 2 is a top rear perspective view of the warmer of FIG. 1;
 FIG. 3 is a front view of the warmer of FIG. 1;
 FIG. 4 is a rear view of the warmer of FIG. 1;
 FIG. 5 is a left side view of the warmer of FIG. 1, the right side view being a mirror image thereof;
 FIG. 6 is a top elevational view of the warmer of FIG. 1; and,
 FIG. 7 is a bottom view of the warmer of FIG. 1.

1 Claim, 2 Drawing Sheets



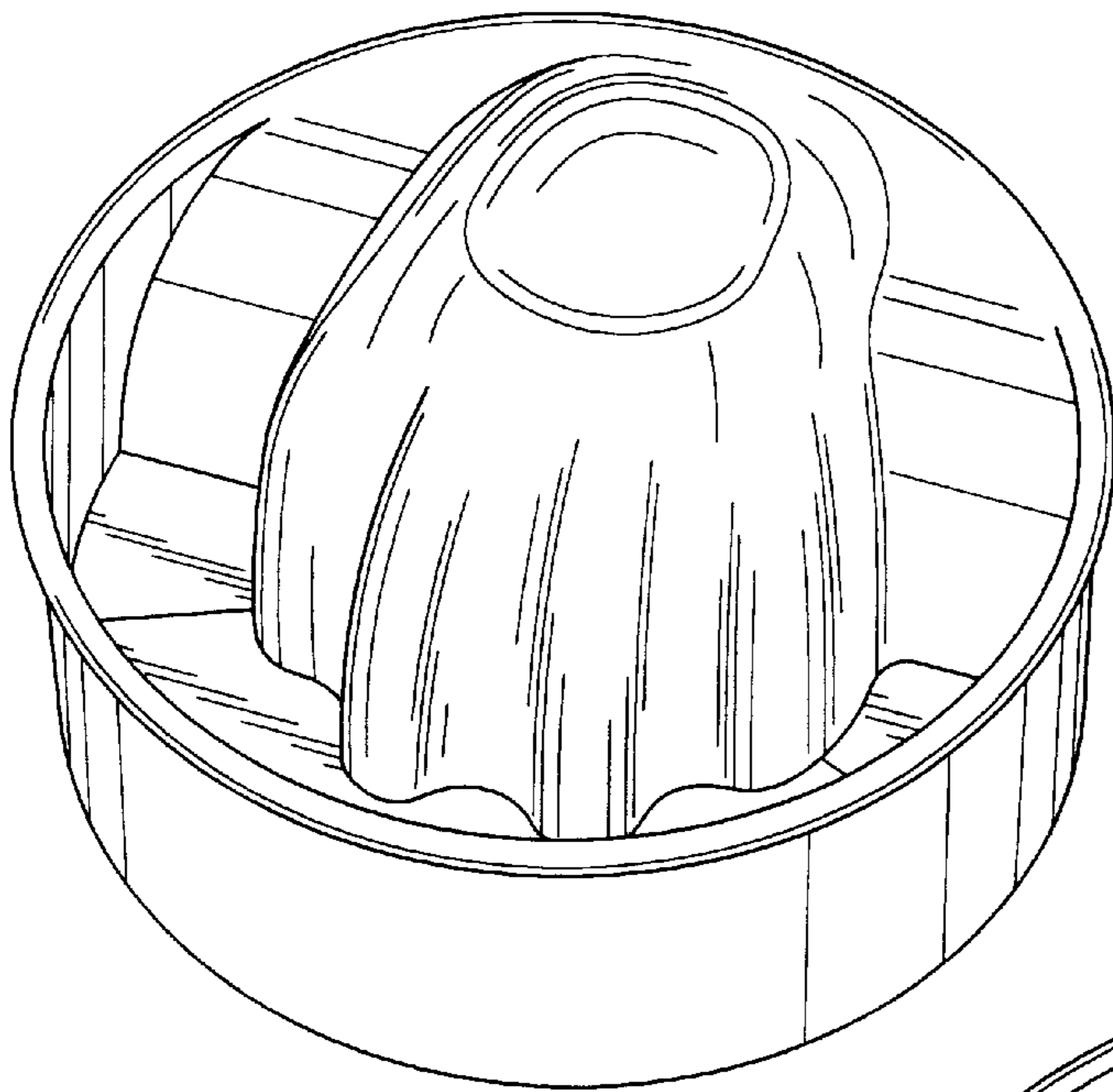


FIG. 1

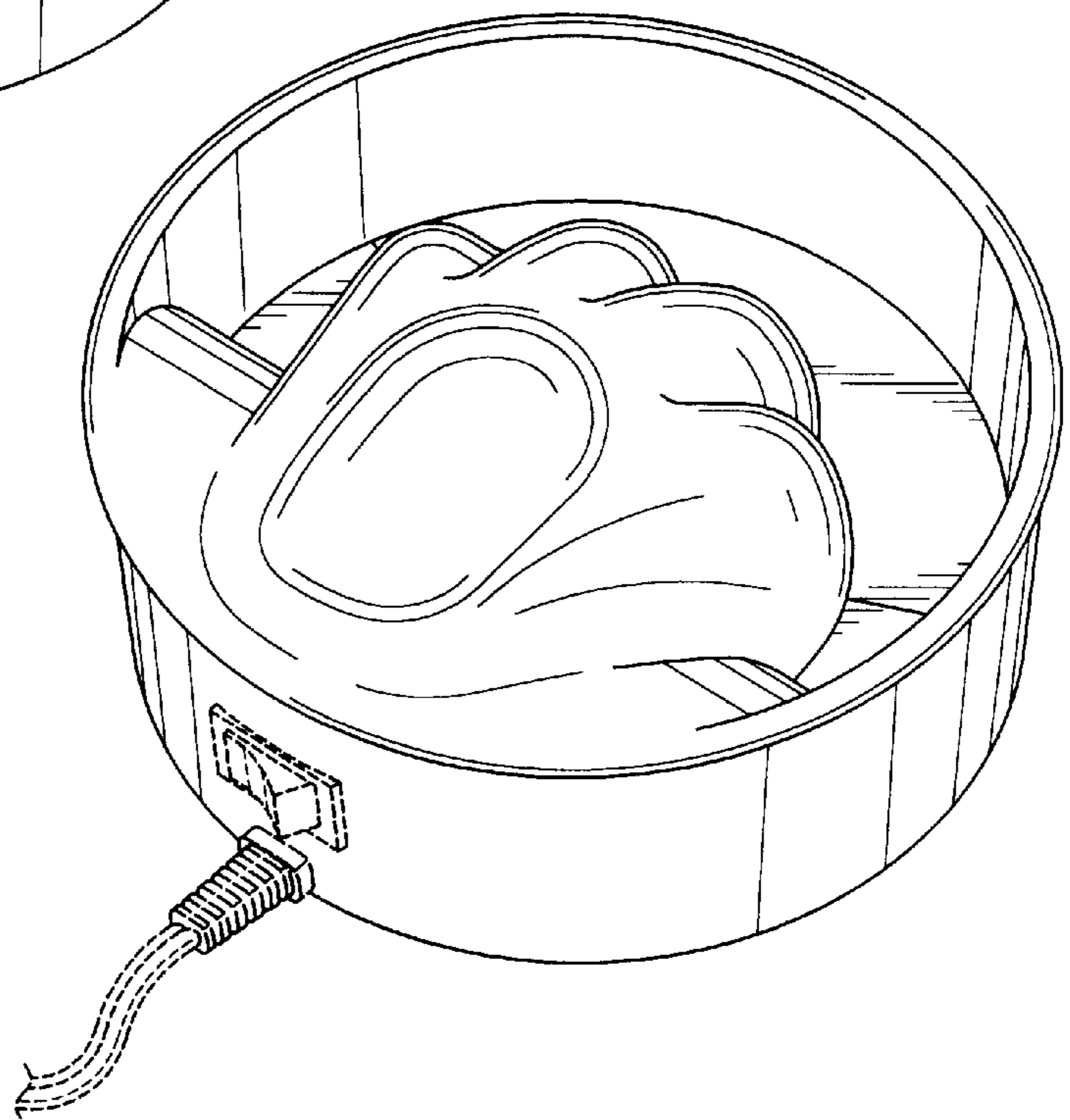


FIG. 2

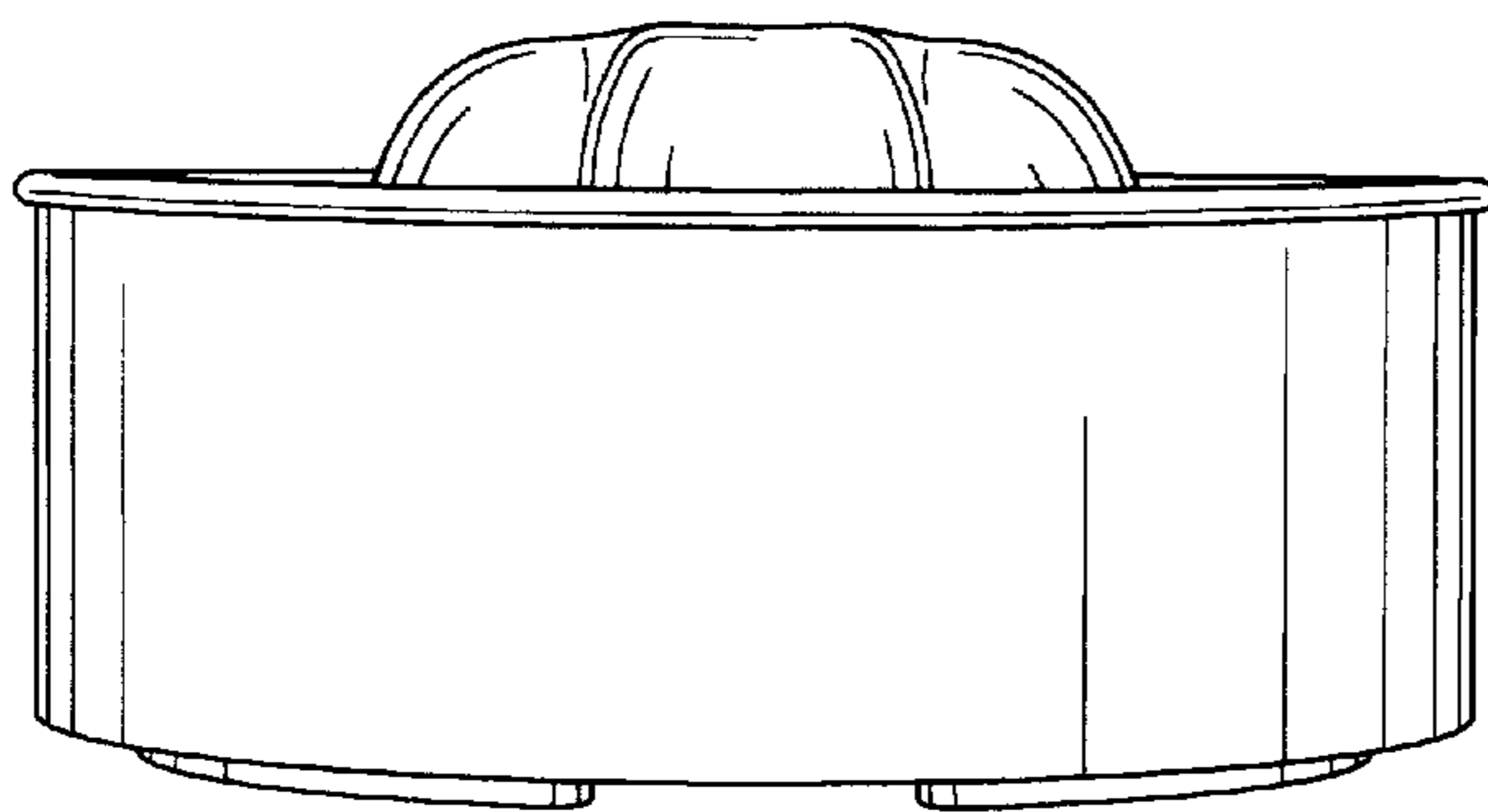


FIG. 3

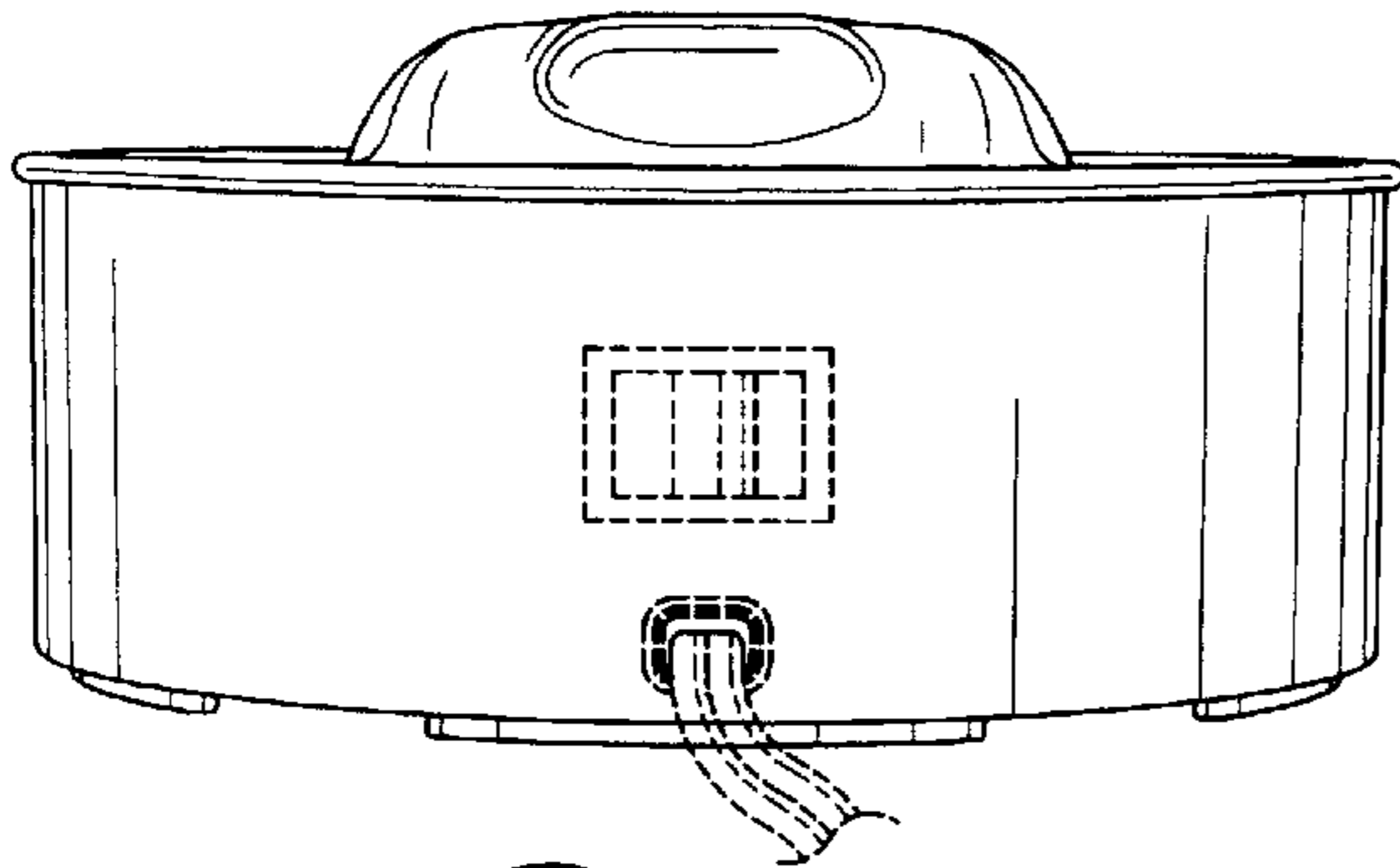


FIG. 4

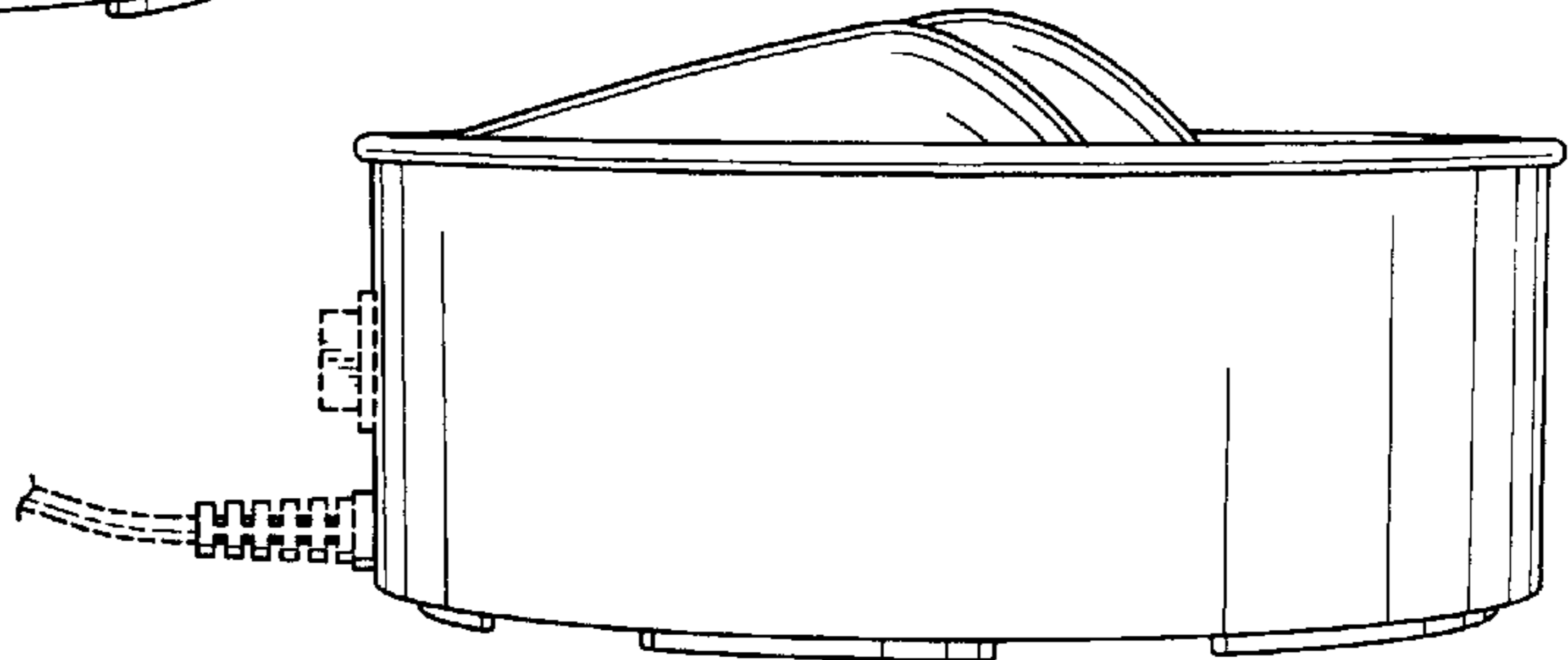


FIG. 5

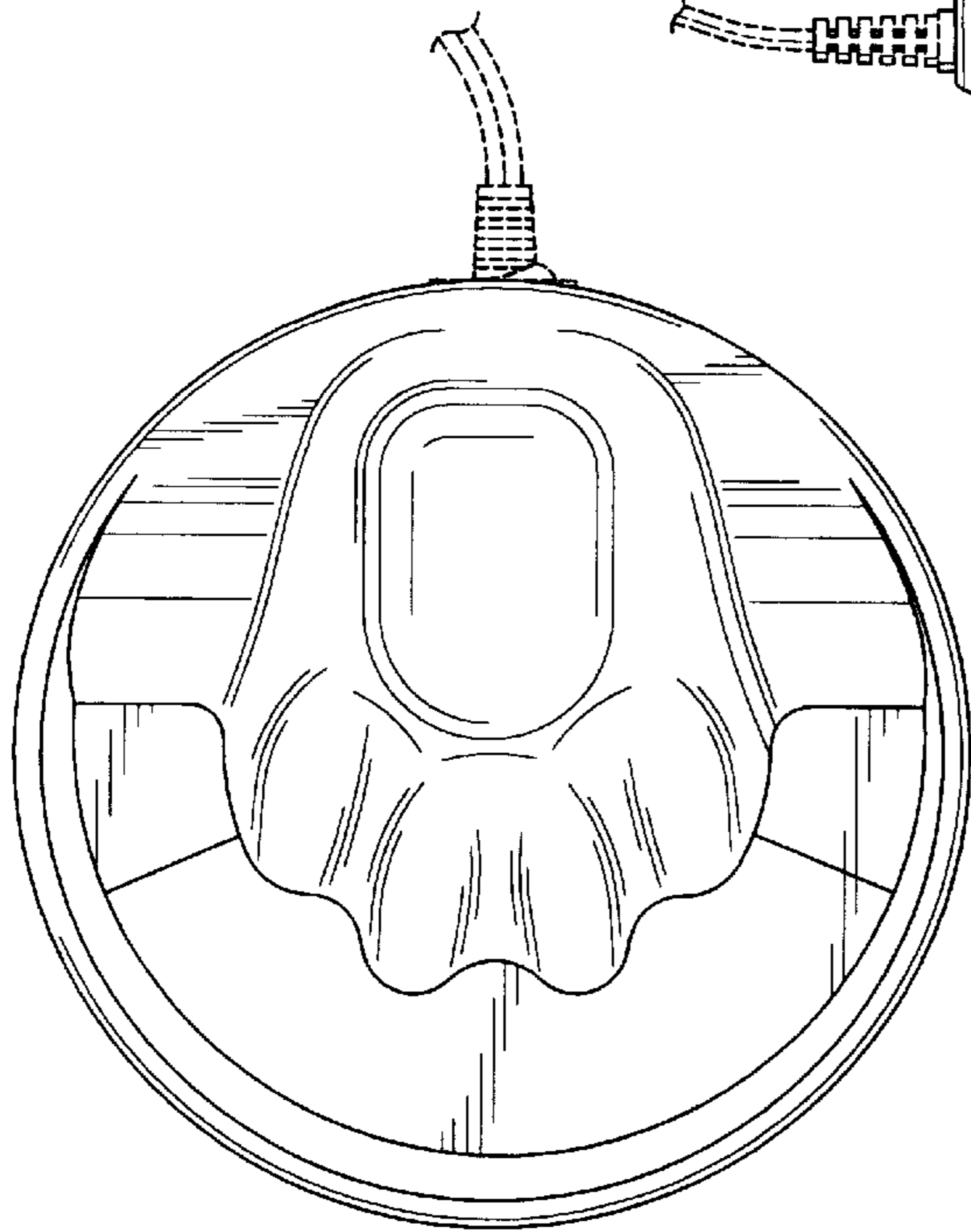


FIG. 6

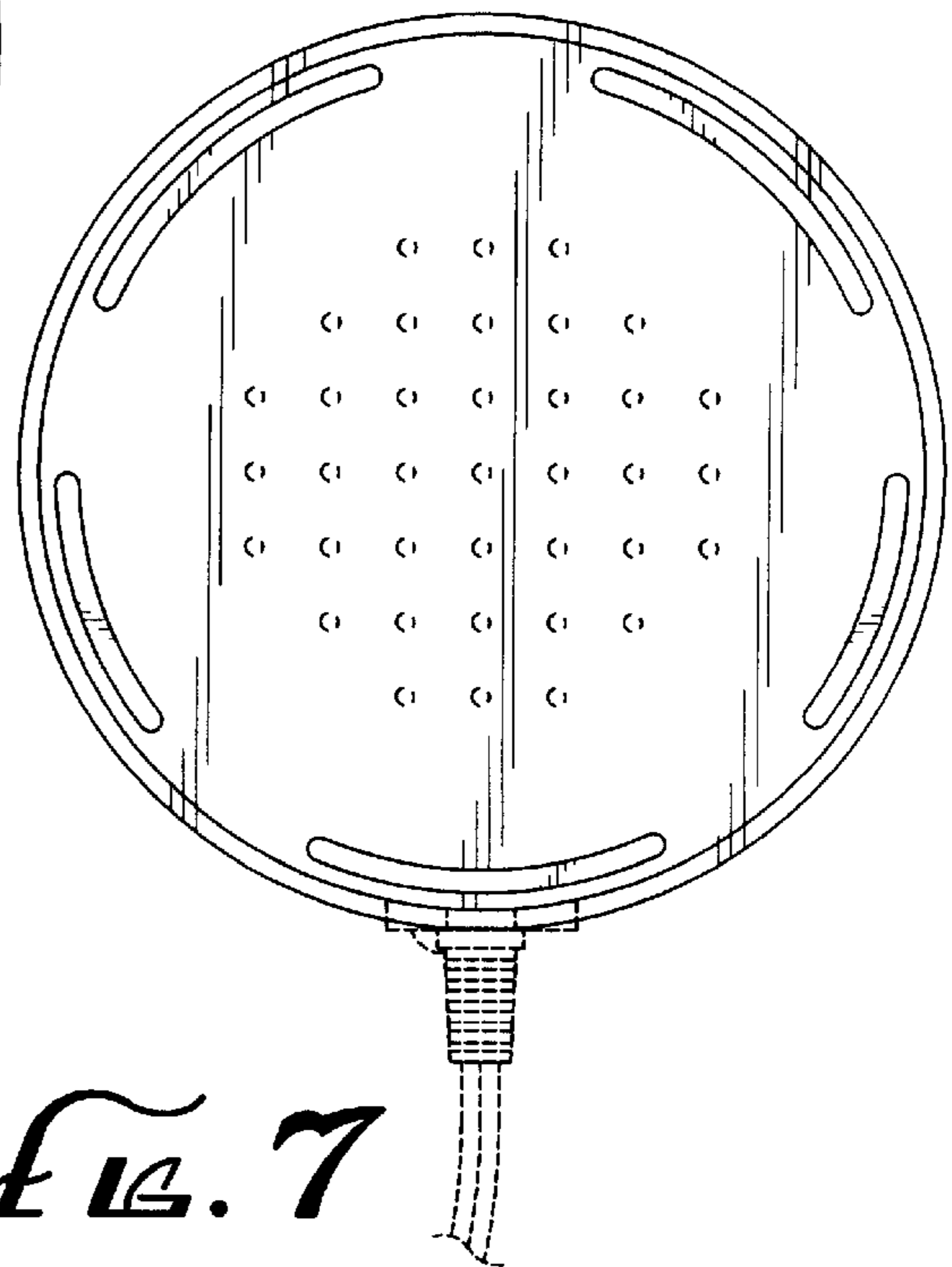


FIG. 7