



US00D440705S

(12) **United States Design Patent**
Compton et al.

(10) **Patent No.:** **US D440,705 S**

(45) **Date of Patent:** **** Apr. 17, 2001**

- (54) **SINGLE TENSION LUMINAIRE**
- (75) Inventors: **Wayne W. Compton; Kevin Willmorth**, both of Chino Hills, CA (US)
- (73) Assignee: **Kim Lighting, Inc.**, City of Industry, CA (US)
- (**) Term: **14 Years**
- (21) Appl. No.: **29/124,211**
- (22) Filed: **Jun. 1, 2000**
- (51) **LOC (7) Cl.** **26-99**
- (52) **U.S. Cl.** **D26/155**
- (58) **Field of Search** D26/51, 58, 60, D26/61, 63-65, 73, 80-92, 142-145, 155; 362/551, 559, 127, 133, 145-153.1, 217, 224, 225, 253; D6/399; D8/363; 248/219.1, 220.1, 245; 403/42, 65, 231, 295; 52/28, 146-152, 173.1, 173.3, 690-697

- D. 313,669 * 1/1991 Sonneman D26/85 X
- 2,005,384 * 6/1935 Nunes 248/219.1
- 2,479,500 * 8/1949 Longberg 362/146 X
- 2,854,293 * 9/1958 Riblet 248/245
- 3,998,025 * 12/1976 Nestroy 52/28 X

* cited by examiner

Primary Examiner—Freda Nunn

Assistant Examiner—Linda Brooks

(74) *Attorney, Agent, or Firm*—Lyon & Lyon LLP

(57) **CLAIM**

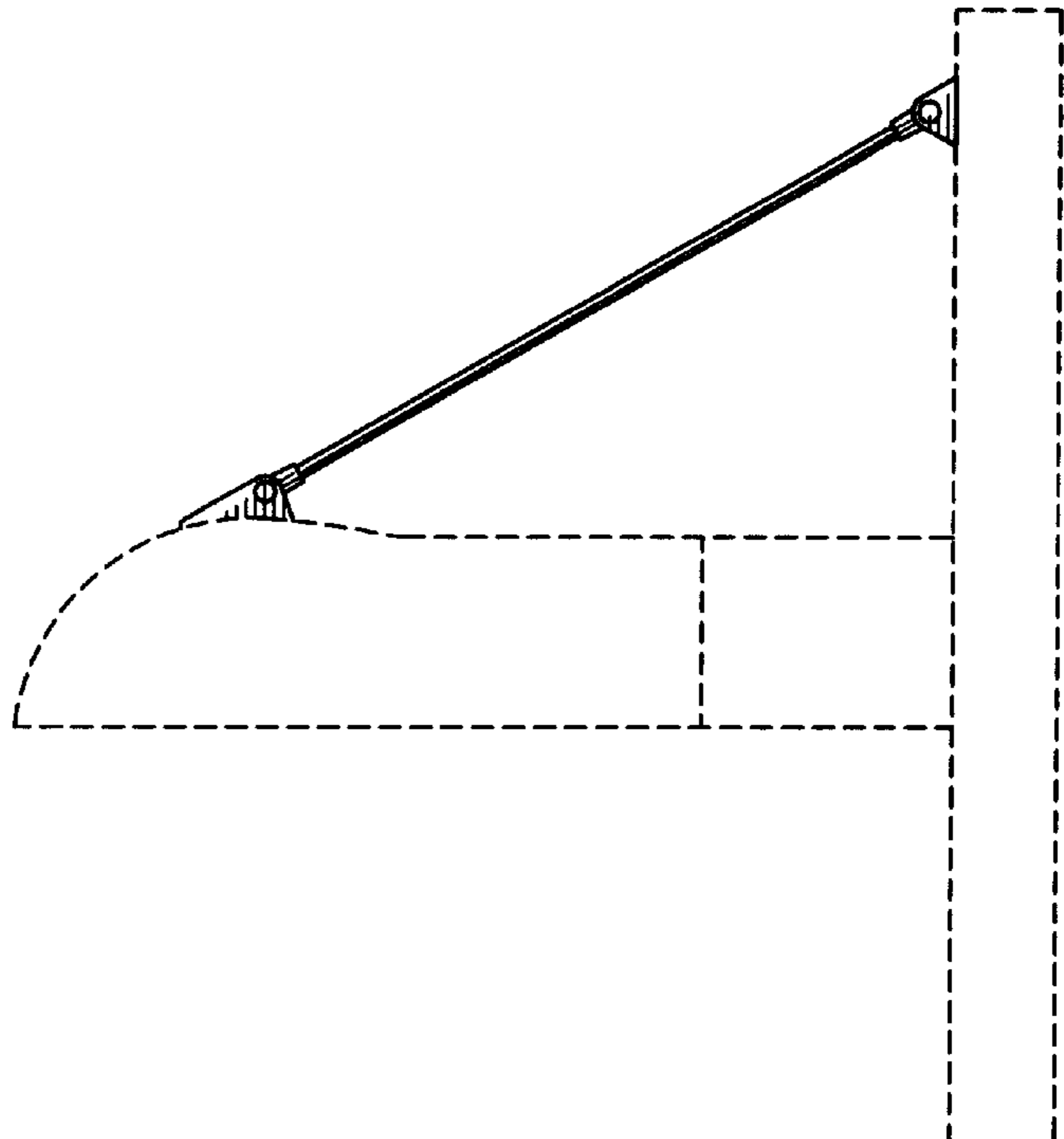
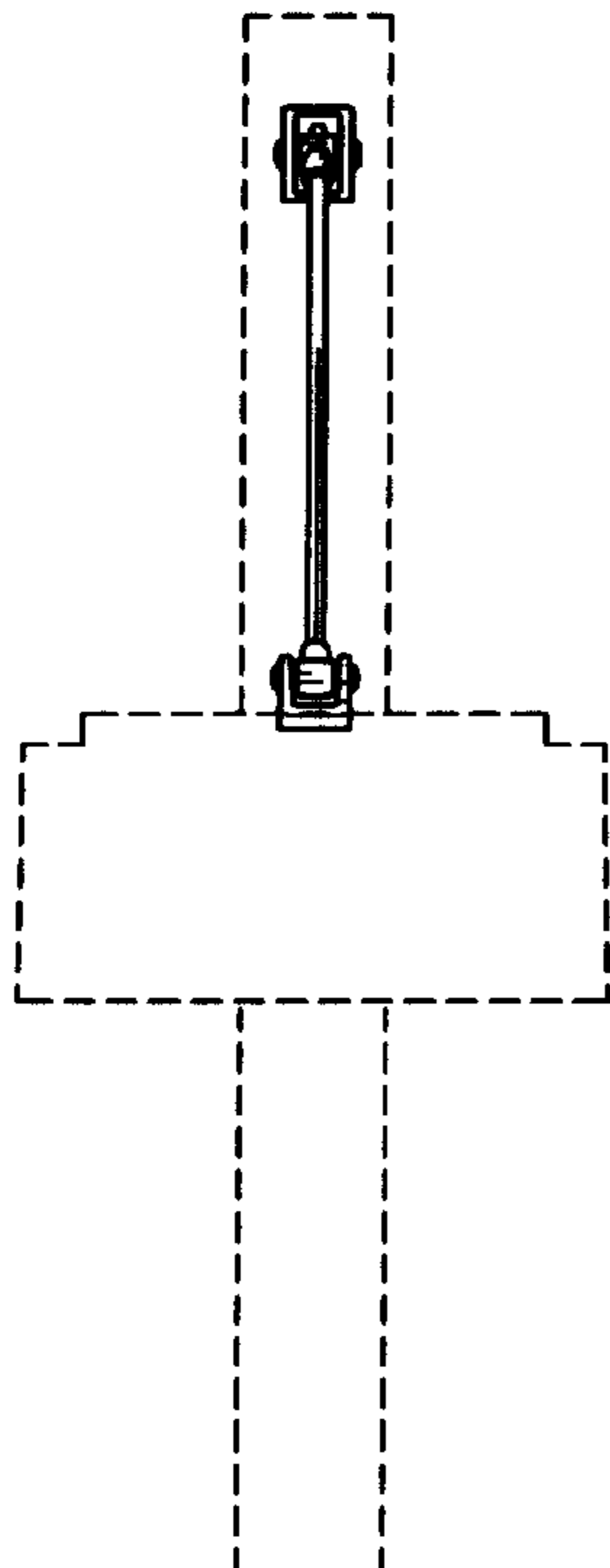
The ornamental design for a single tension luminaire, substantially, as shown and described.

DESCRIPTION

FIG. 1 is a front elevational view of the design,
 FIG. 2 is a top view, thereof,
 FIG. 3 is a side elevational view thereof, the reverse side being a mirror image,
 FIG. 4 is a bottom view thereof, and,
 FIG. 5 is a rear elevational view thereof.
 The broken lines shown are for illustrative purposes only and form no part of the claimed design.

- (56) **References Cited**
U.S. PATENT DOCUMENTS
 D. 237,819 * 11/1975 Quin et al. D26/51

1 Claim, 1 Drawing Sheet



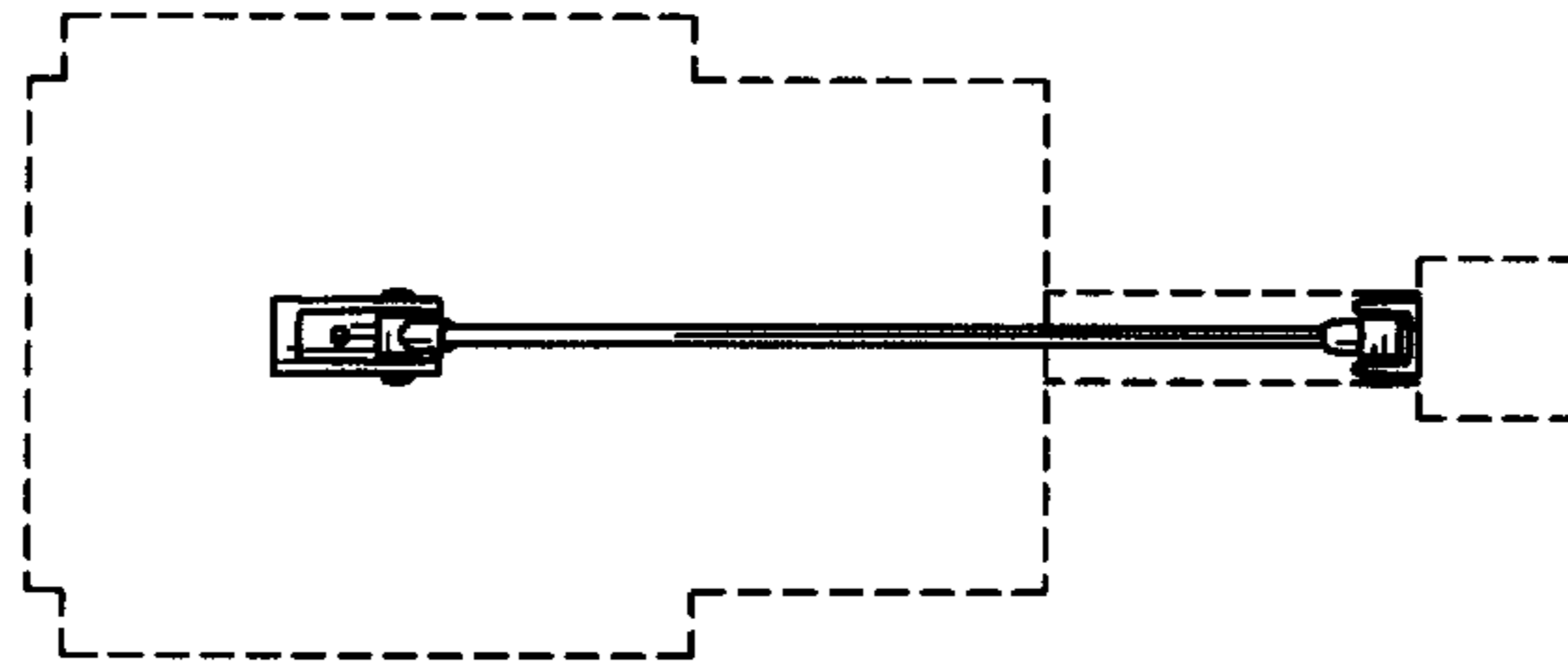


FIG. 2

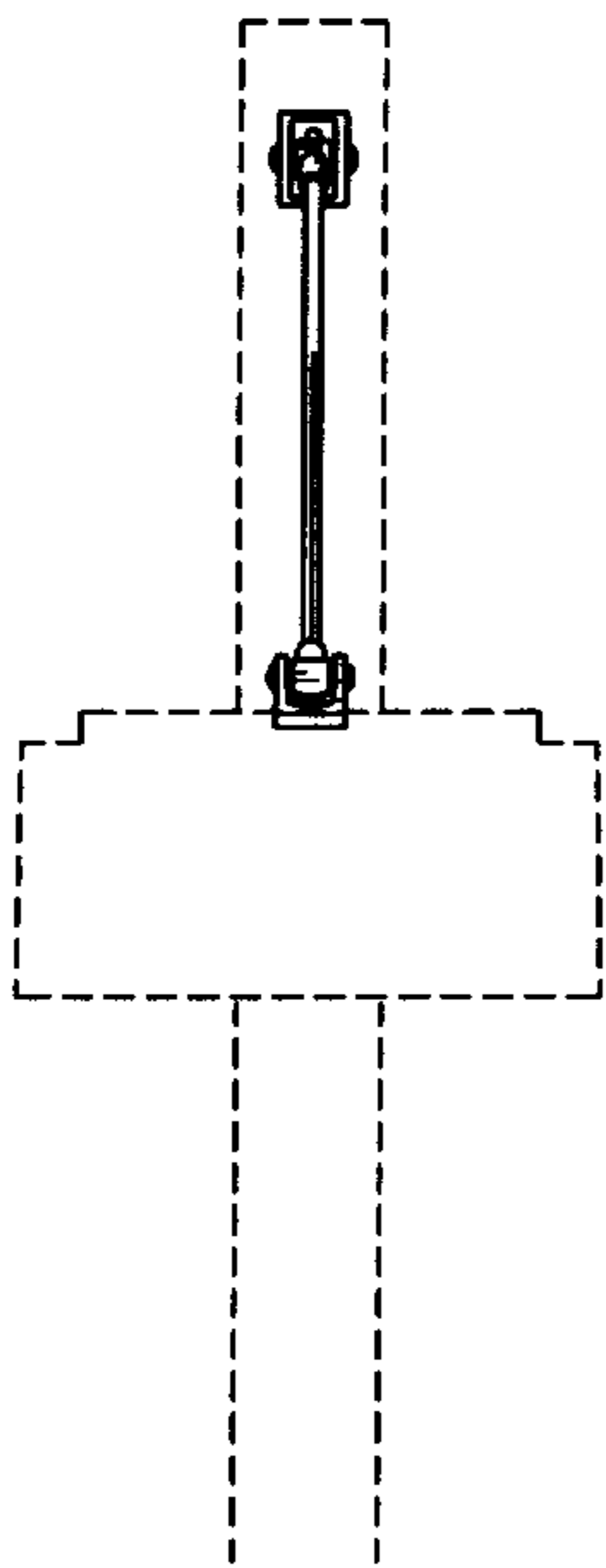


FIG. 1

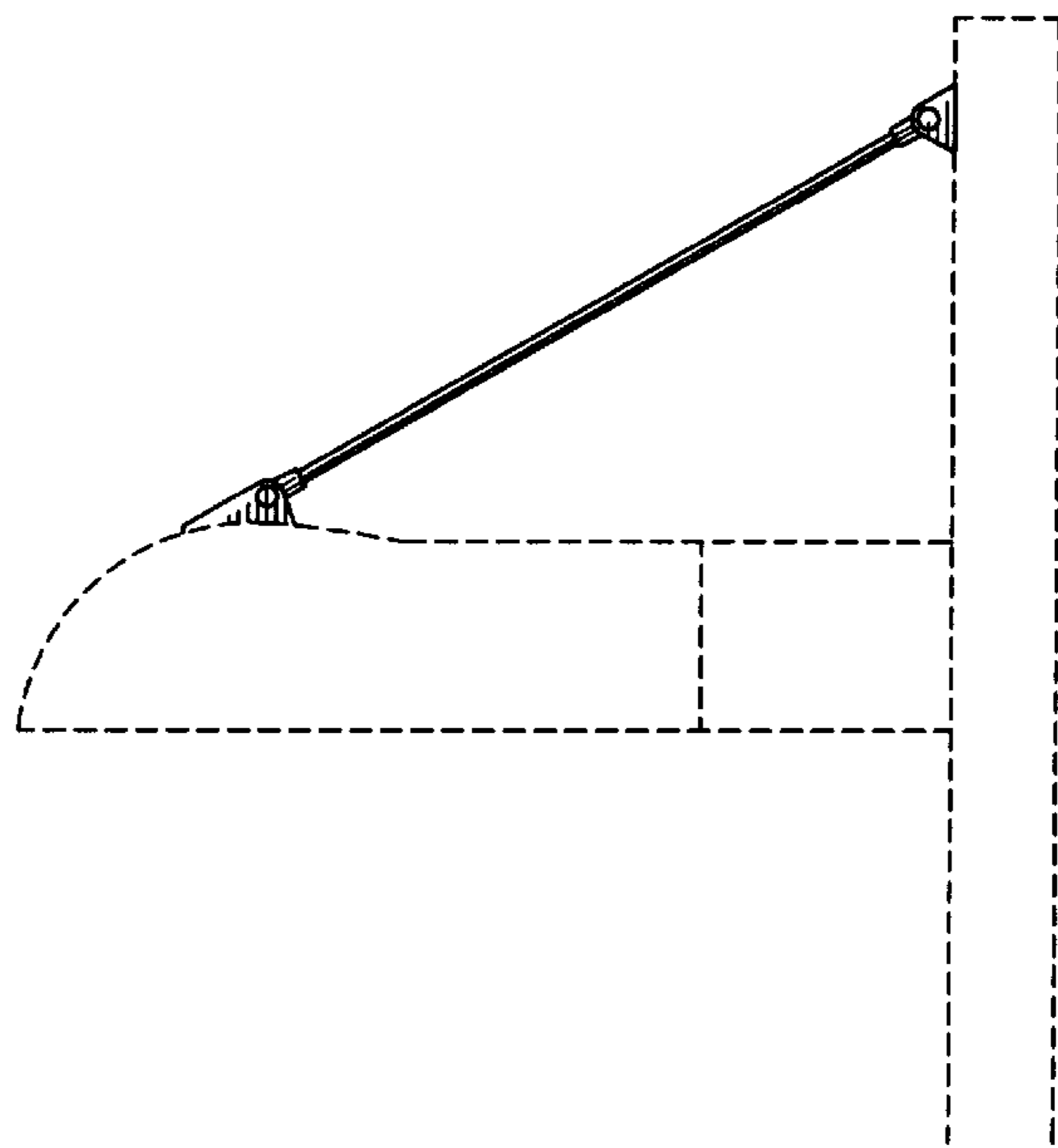


FIG. 3

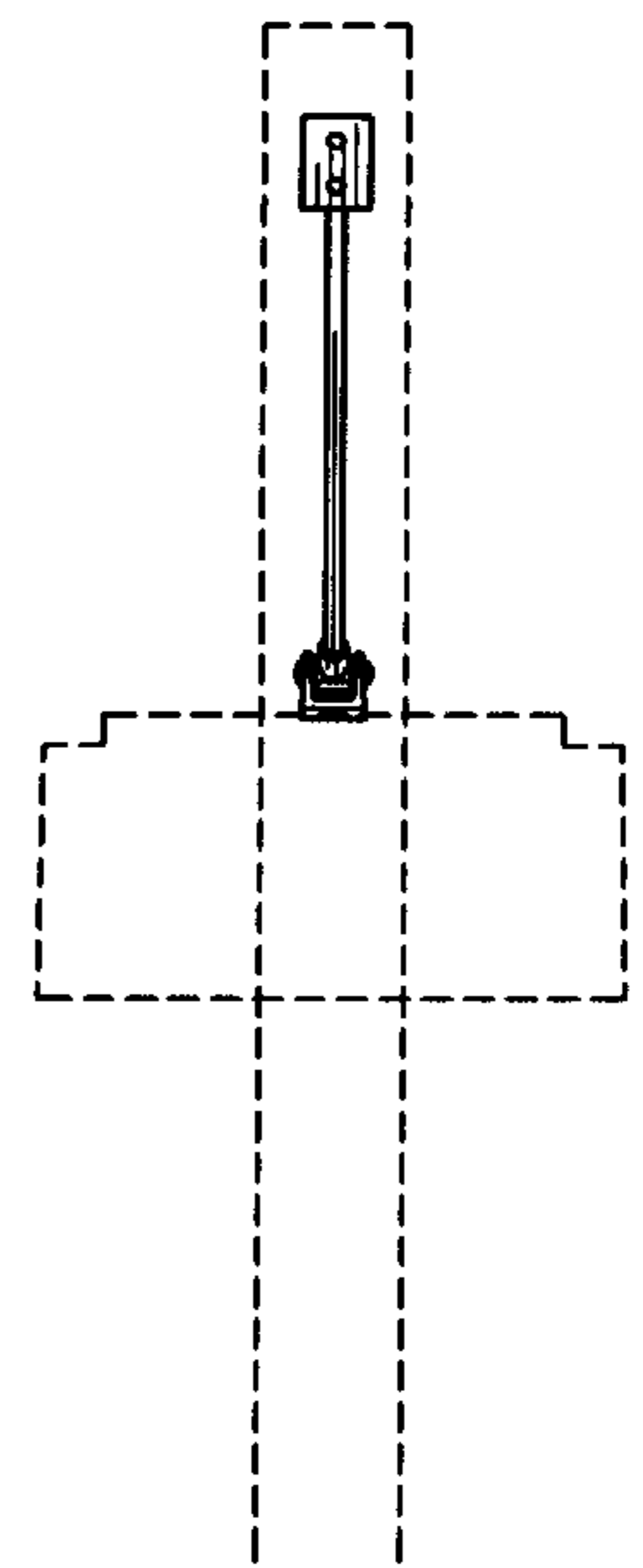


FIG. 5

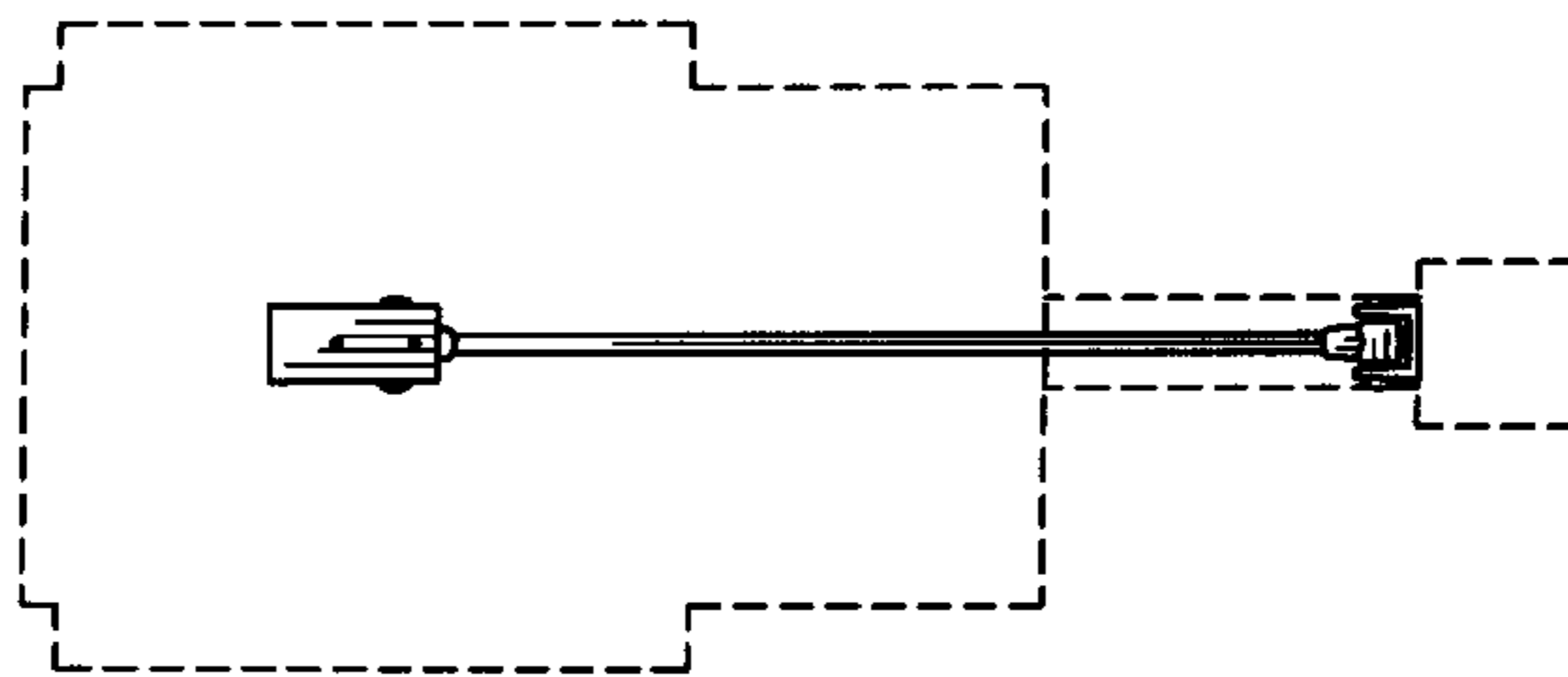


FIG. 4