



US00D440686S

(12) **United States Design Patent**
Dolan

(10) **Patent No.:** **US D440,686 S**

(45) **Date of Patent:** **** Apr. 17, 2001**

(54) **CHANDELIER**

(76) Inventor: **Patrick S. Dolan**, 1901 NW. Upshur,
Portland, OR (US) 97209

(**) Term: **14 Years**

(21) Appl. No.: **29/125,277**

(22) Filed: **Jun. 21, 2000**

(51) **LOC (7) Cl.** **26-05**

(52) **U.S. Cl.** **D26/86**

(58) **Field of Search** D26/72, 80-92;
362/147, 404-408

(56) **References Cited**

U.S. PATENT DOCUMENTS

- D. 397,822 * 9/1998 Miranda D26/84
- D. 430,947 9/2000 Dolan .
- D. 431,088 * 9/2000 Dolan D26/84

OTHER PUBLICATIONS

KenRoy Int'l Jacksonville, FL Catalog 1996 p. 51, Model
77057 GD.

Elk Lighting Summit Hill, PA 1999 Catalog # 9801 p. 46,
Model 5784.

Elk Lighting Summit Hill PA 1999 Catalog # 9900 p. 25,
Model 3685.

Home Lighting and Accessories, Mar. 1995, p. 75, chande-
lier # 3421/6+3.*

* cited by examiner

Primary Examiner—Susan J. Lucas

(57) **CLAIM**

The ornamental design for a chandelier, as shown and
described.

DESCRIPTION

FIG. 1 is a perspective view thereof;

FIG. 2 is a front elevational view thereof, the back view
being identical;

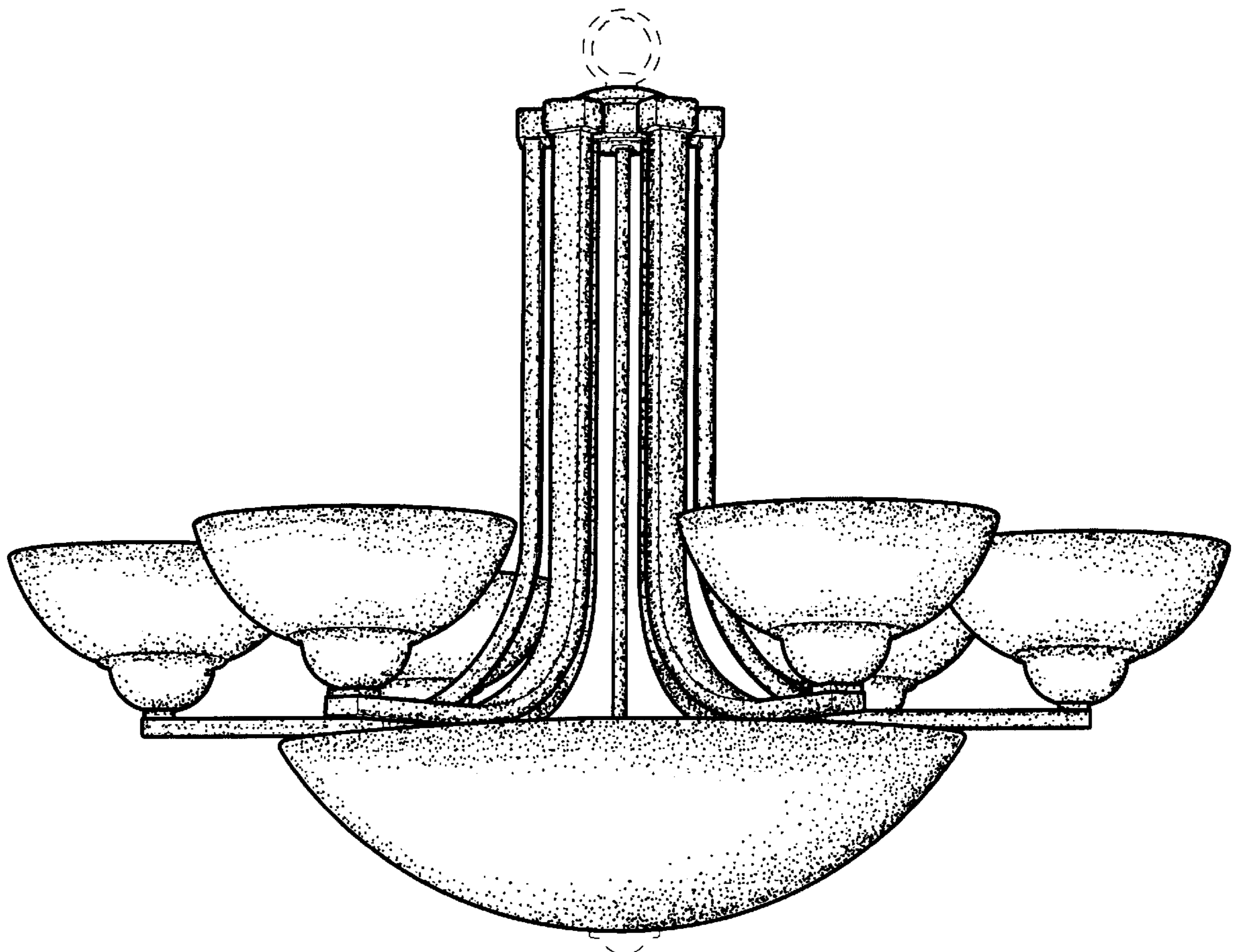
FIG. 3 is a right side view, the left side view being identical;

FIG. 4 is a top plan view thereof; and,

FIG. 5 is a bottom plan view thereof.

The broken lines shown in the drawing are environmental
only and form no part of the claimed design.

1 Claim, 5 Drawing Sheets



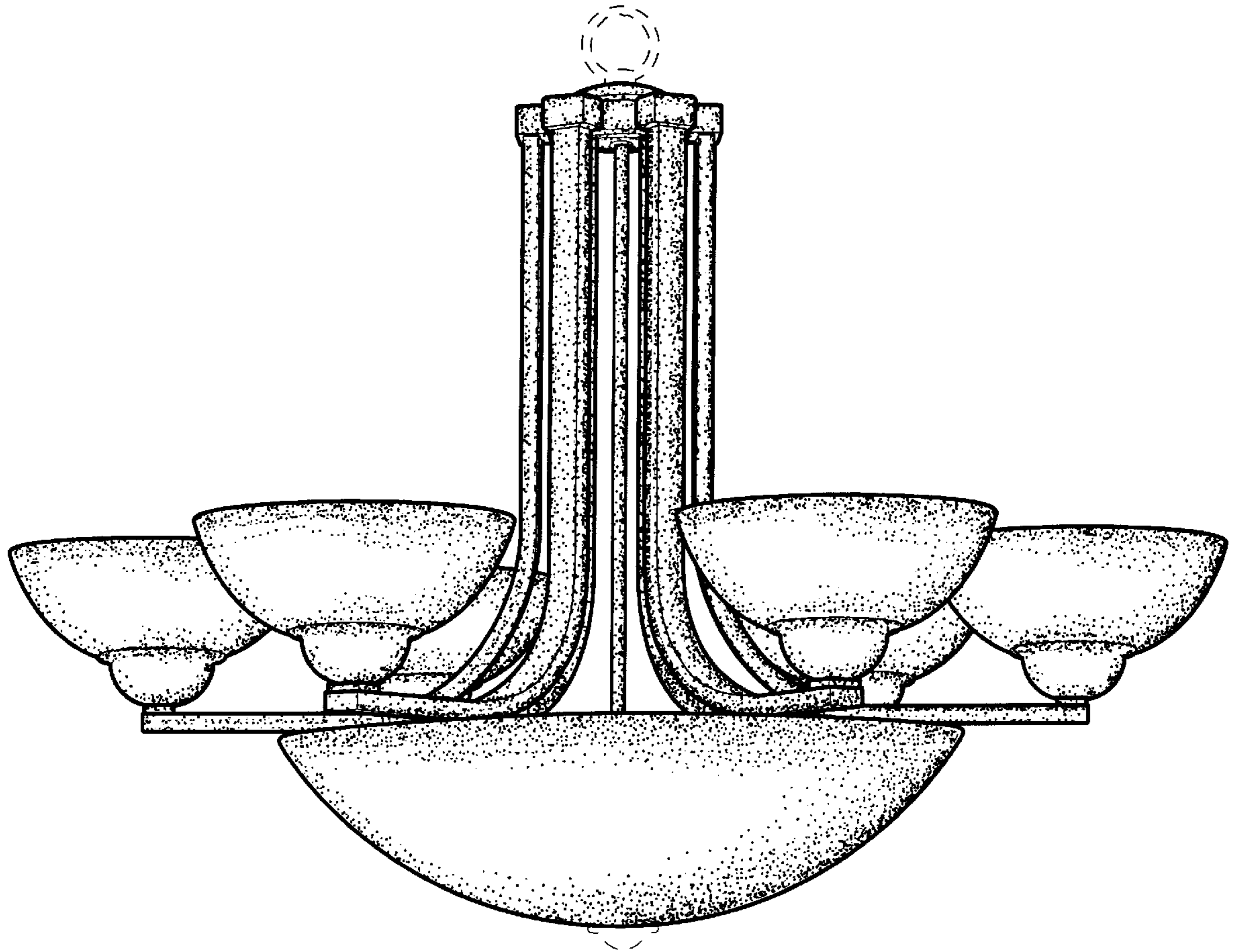


FIG. 1

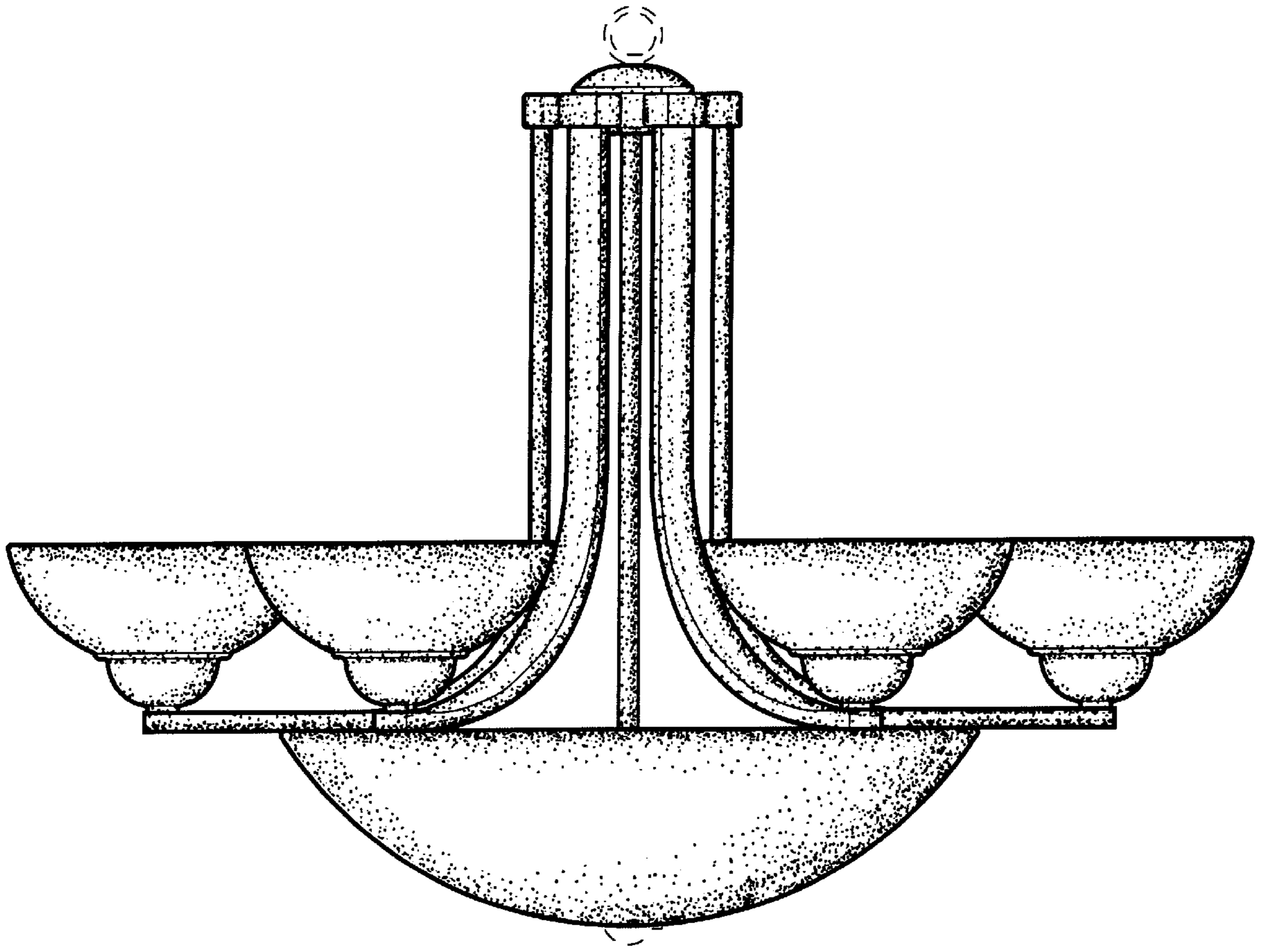


FIG. 2

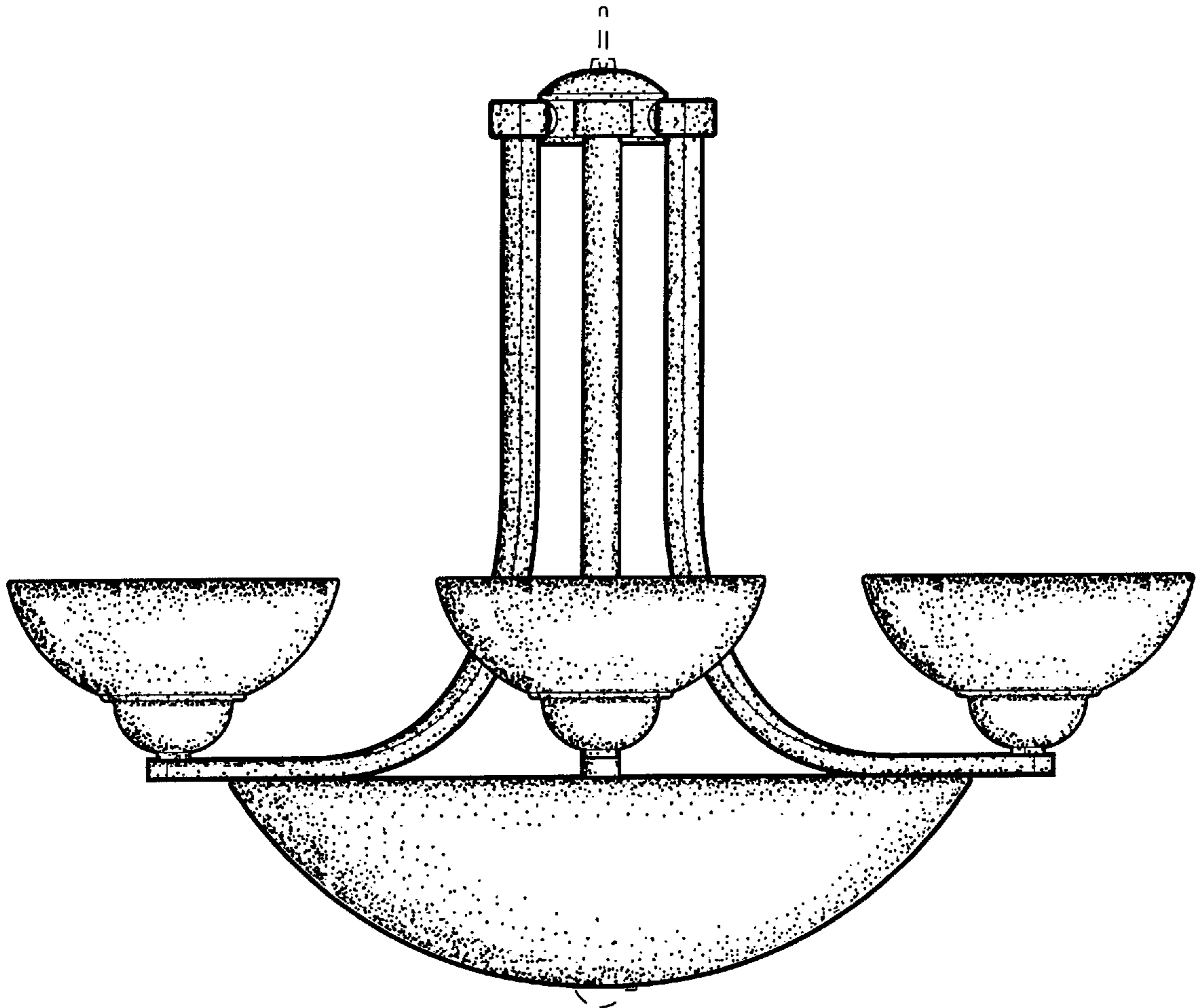


FIG. 3

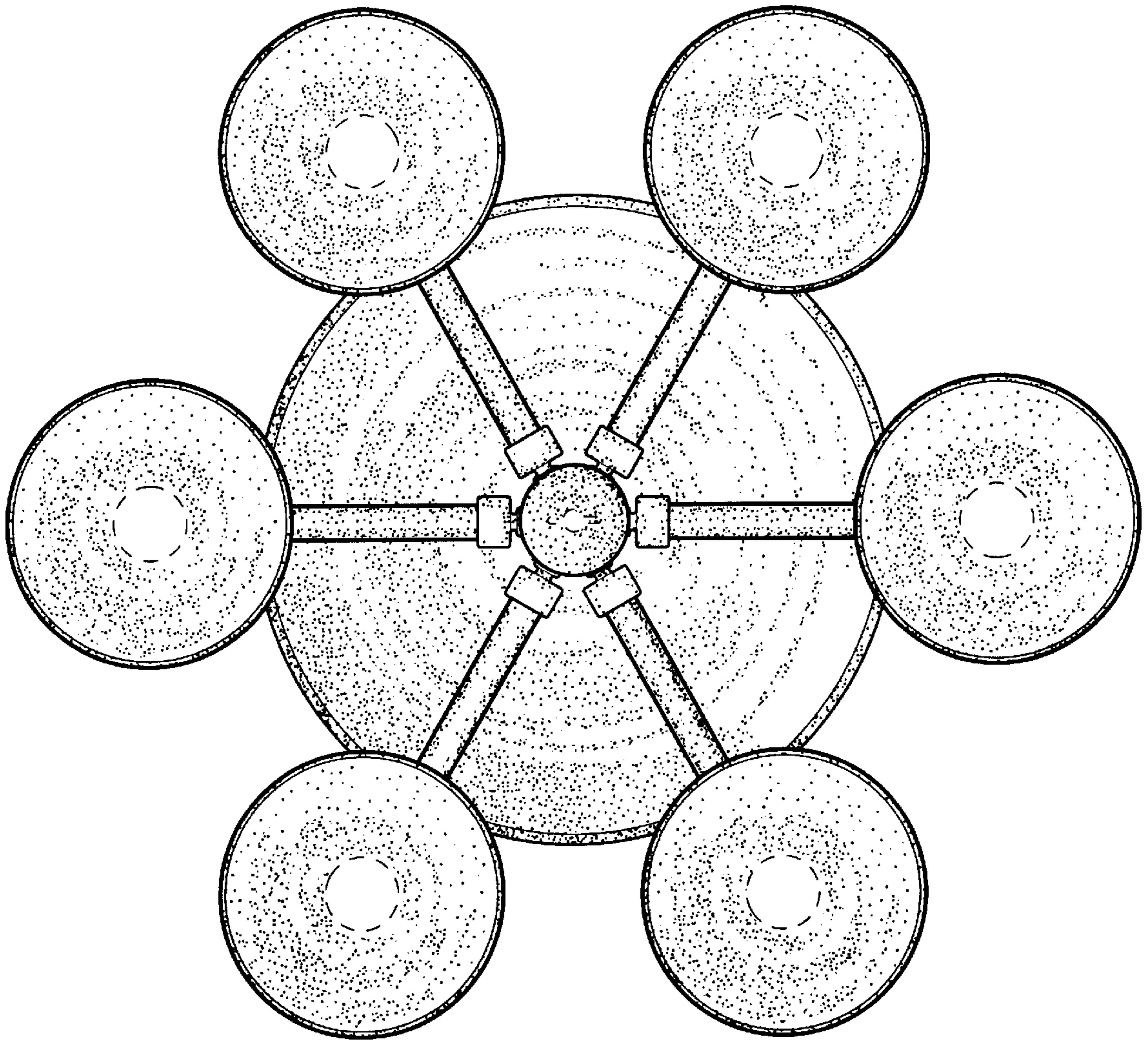


FIG. 4

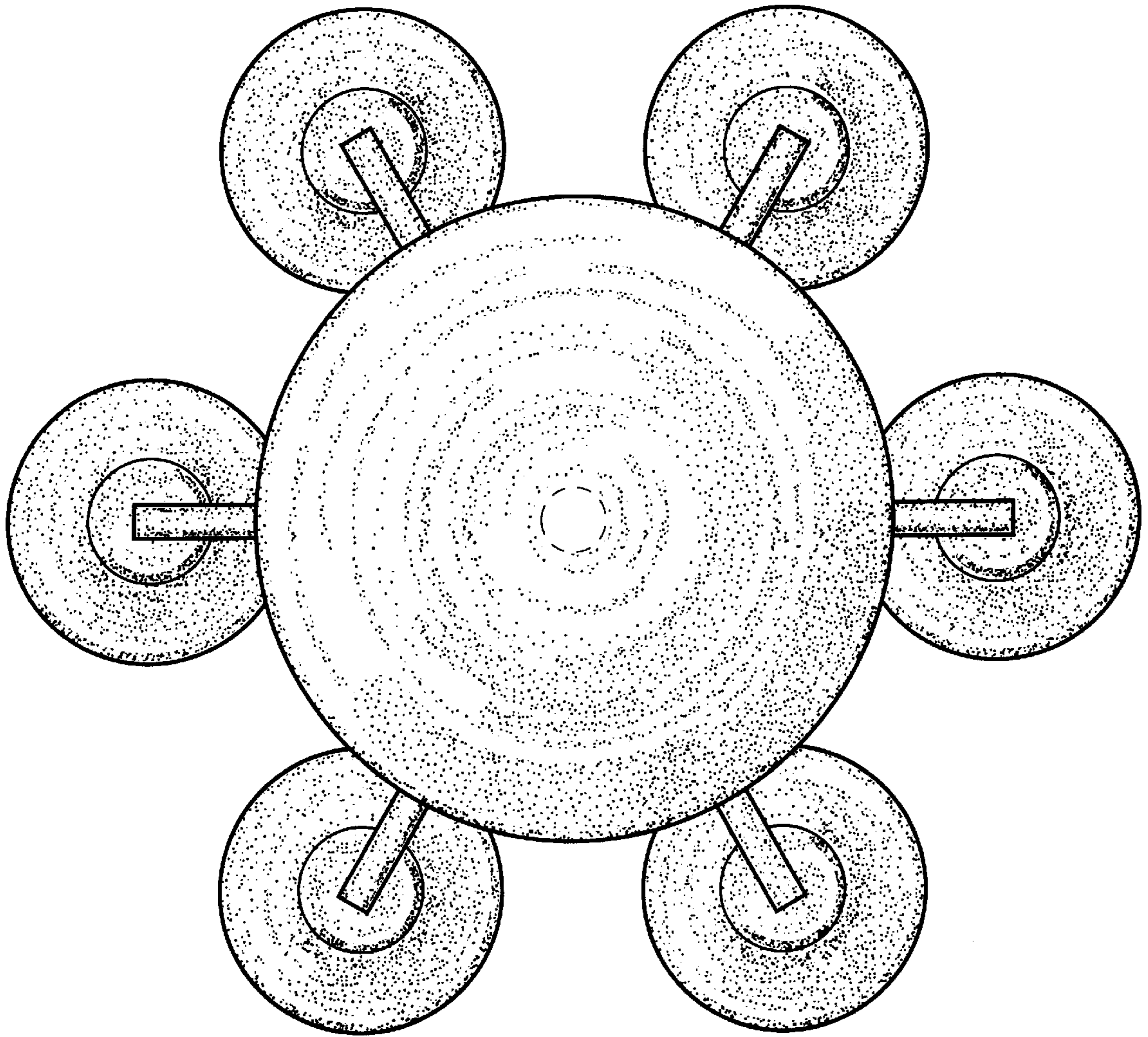


FIG. 5