



US00D440685S

(12) **United States Design Patent**
Dolan

(10) **Patent No.:** **US D440,685 S**

(45) **Date of Patent:** **** Apr. 17, 2001**

(54) **CHANDELIER**

(76) Inventor: **Patrick S. Dolan**, 1901 NW. Upshur,
Portland, OR (US) 97209

(**) Term: **14 Years**

(21) Appl. No.: **29/125,265**

(22) Filed: **Jun. 21, 2000**

(51) **LOC (7) Cl.** **26-05**

(52) **U.S. Cl.** **D26/86**

(58) **Field of Search** D26/72, 80-92,
D26/142; 362/147, 404-408

(56) **References Cited**

U.S. PATENT DOCUMENTS

D. 380,571	*	7/1997	Dolan	D26/84
D. 403,793	*	1/1999	Dolan	D26/84
D. 404,162	*	1/1999	Dolan	D26/84
D. 429,358	*	8/2000	Dolan	D26/84

OTHER PUBLICATIONS

Kenroy International Jacksonville, FL catalog 1996 p. 51,
Model 77057 GD.

Elk Lighting Summit Hill, PA catalog 9900, 1999 p. 25
Model 3685-6+3.

Elk Lighting Summit Hill, PA catalog 9900, 1999 p. 18,
Model 2403-6+3.

Arcraft Champlain, NY catalog 1993 p. 10, Model AC1435
AV,SW.

* cited by examiner

Primary Examiner—Susan J. Lucas

(57) **CLAIM**

The ornamental design for a chandelier, as shown and
described.

DESCRIPTION

FIG. 1 is a perspective view thereof;

FIG. 2 is a front elevational view thereof, the back view
being identical;

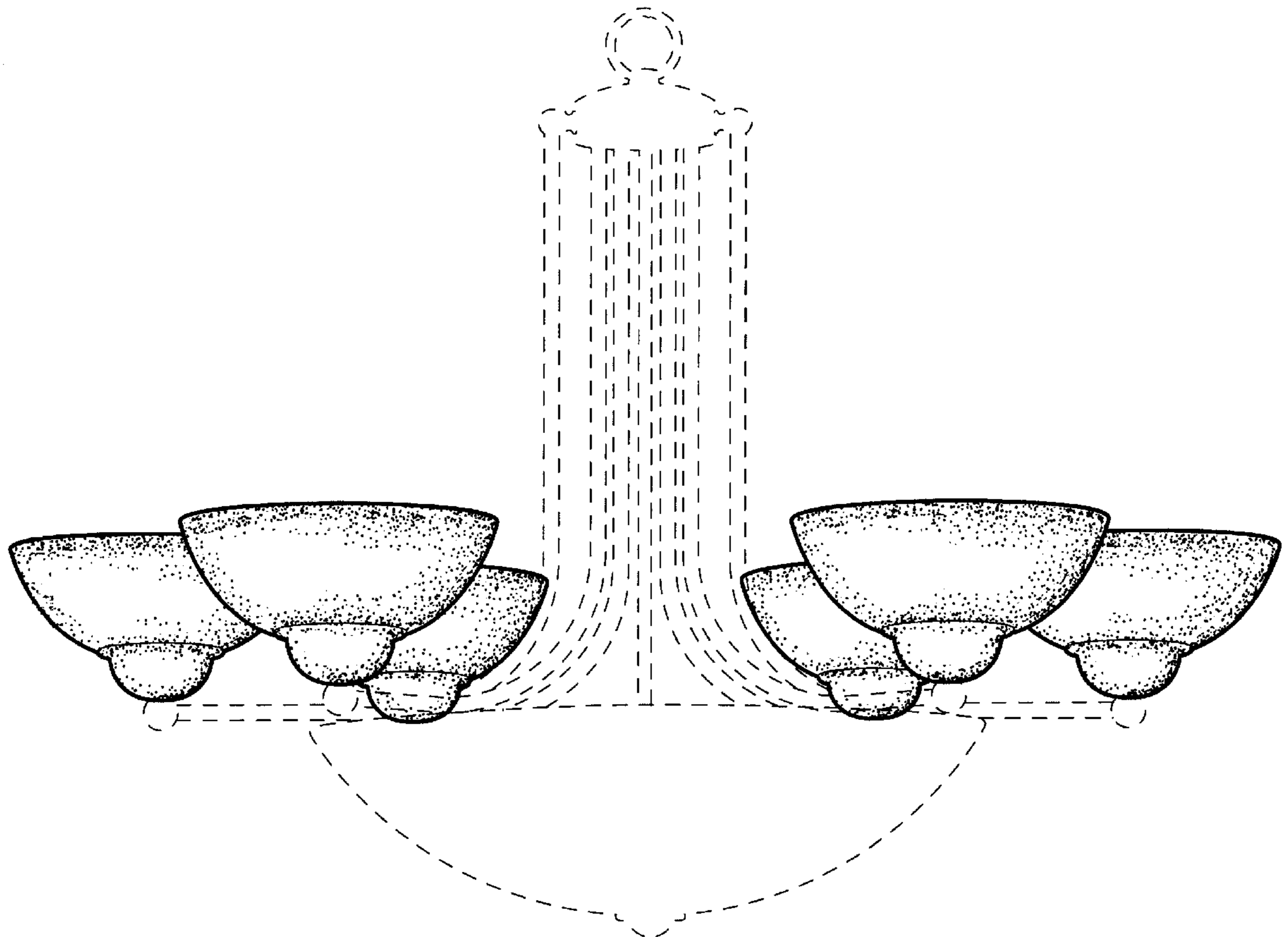
FIG. 3 is a right side view, the left side view being identical;

FIG. 4 is a top plan view thereof; and,

FIG. 5 is a bottom plan view thereof.

The broken lines shown in the drawing are environmental
only and form no part of the claimed design.

1 Claim, 5 Drawing Sheets



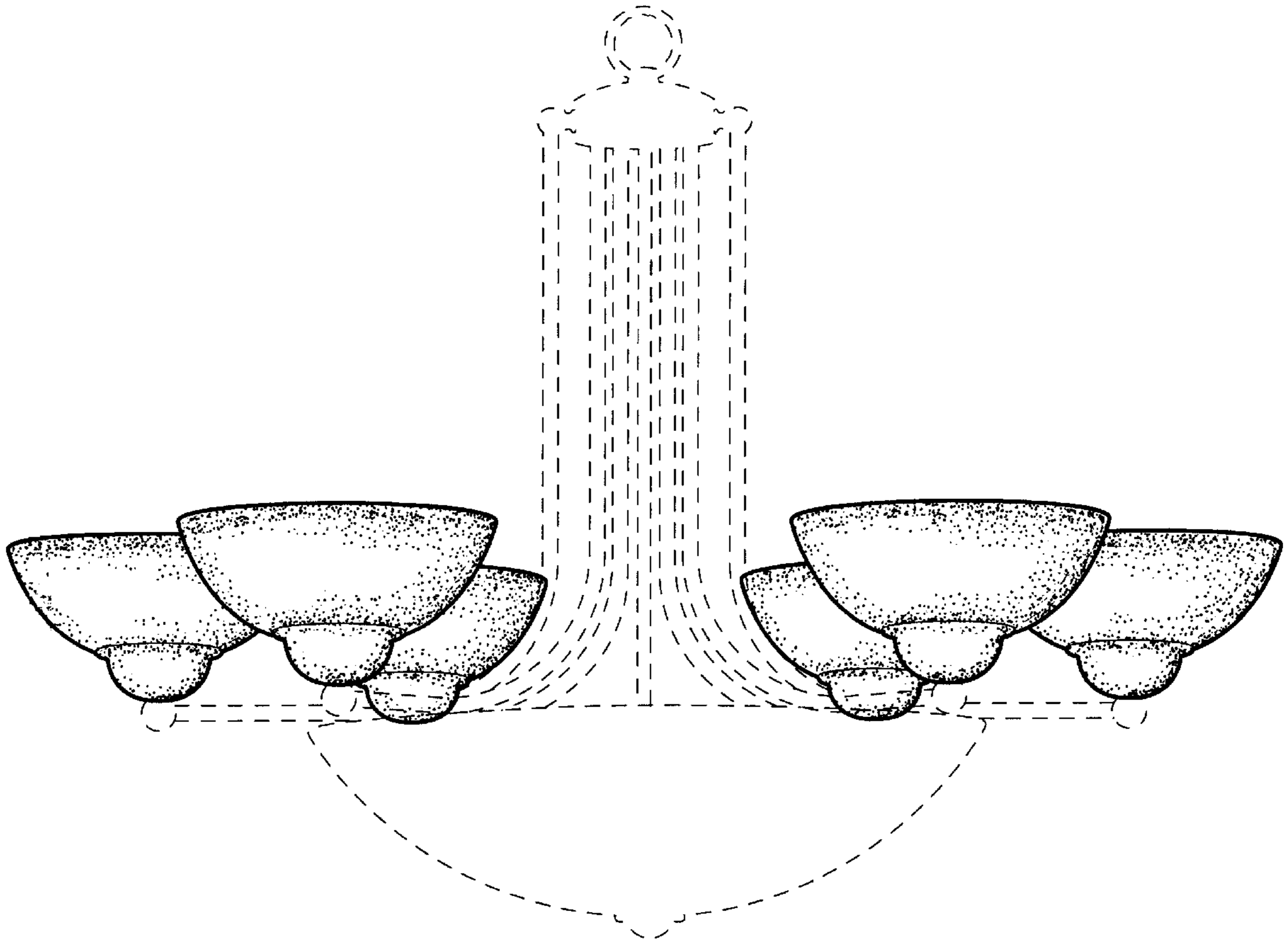


FIG. 1

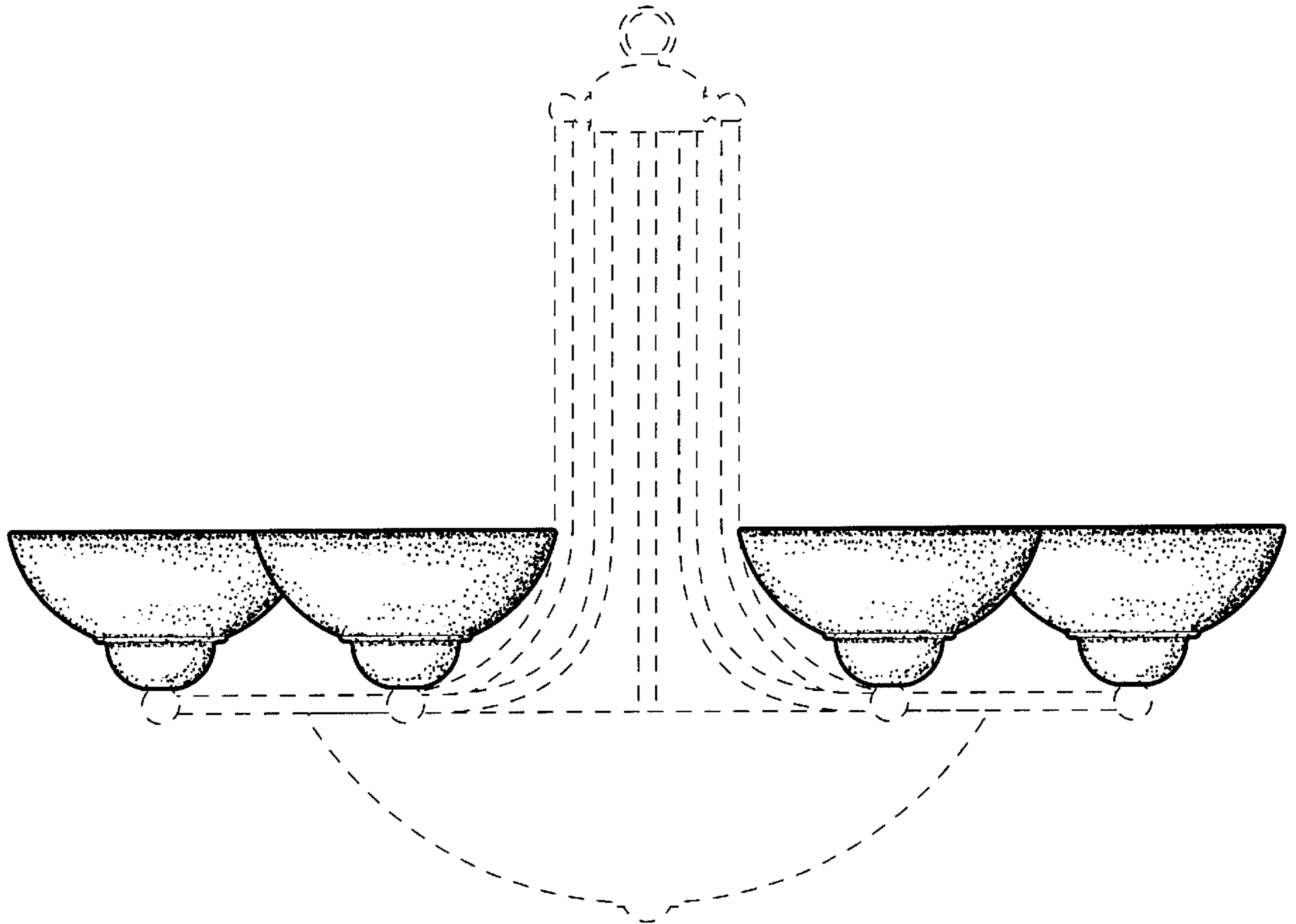


FIG. 2

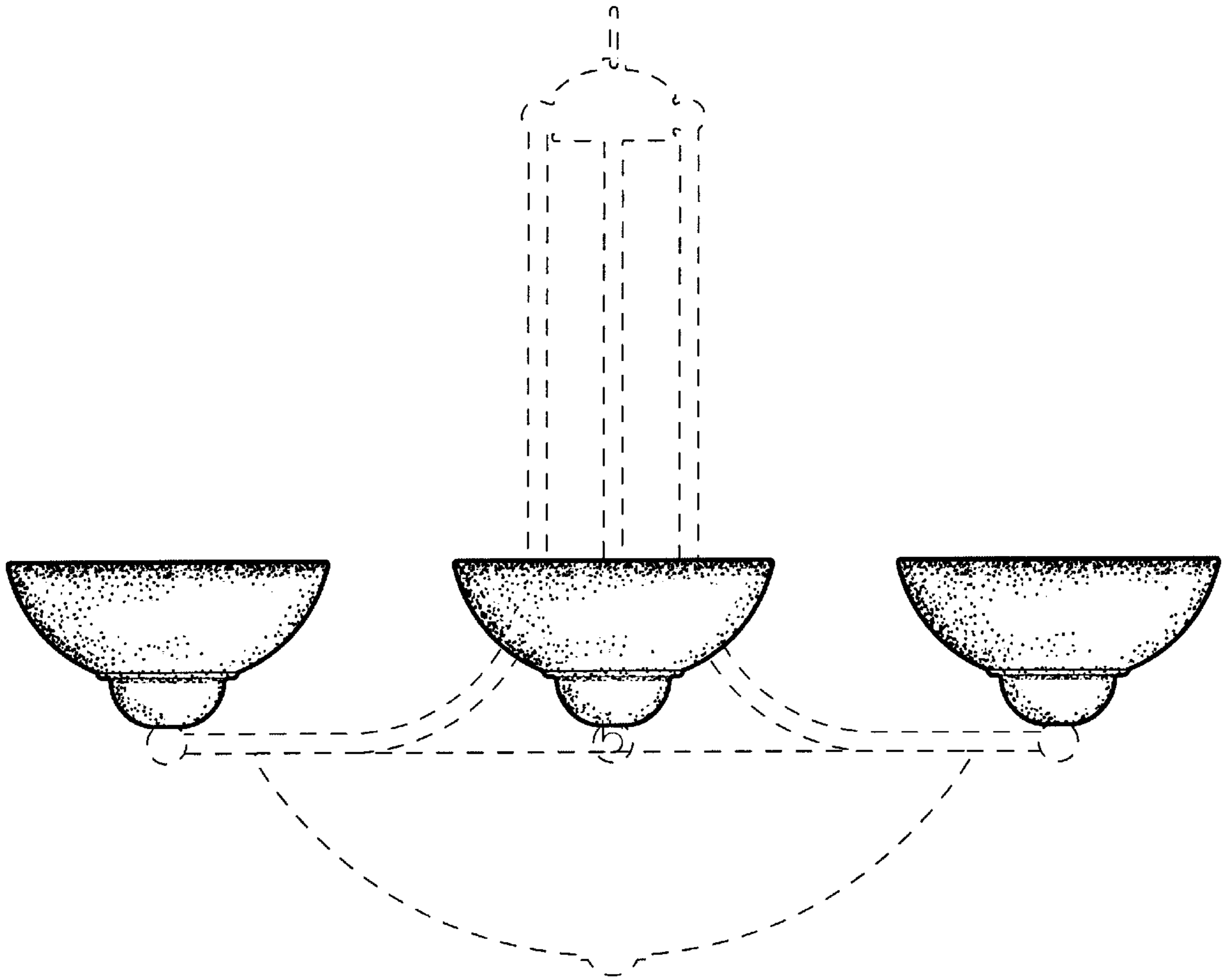


FIG. 3

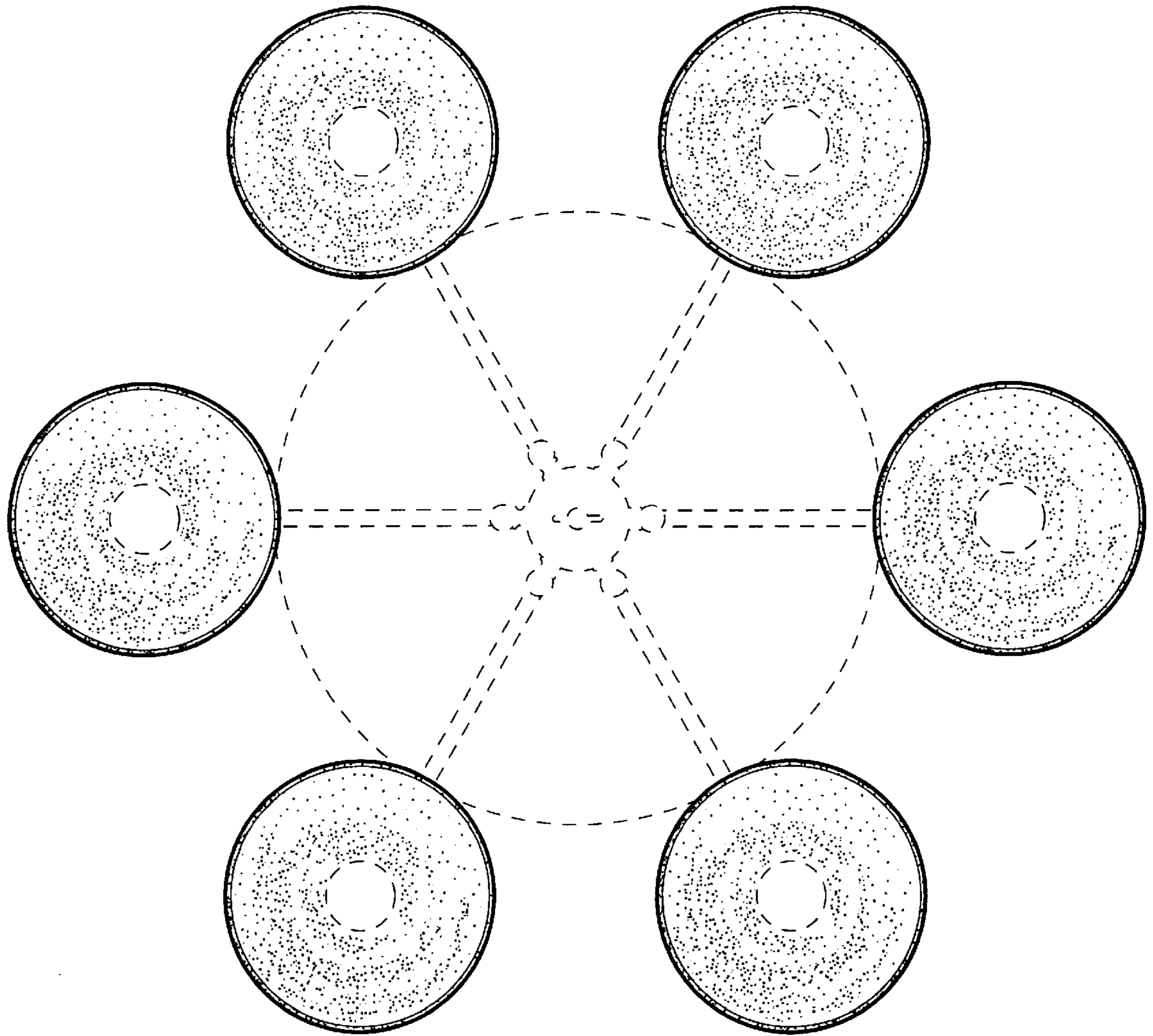


FIG. 4

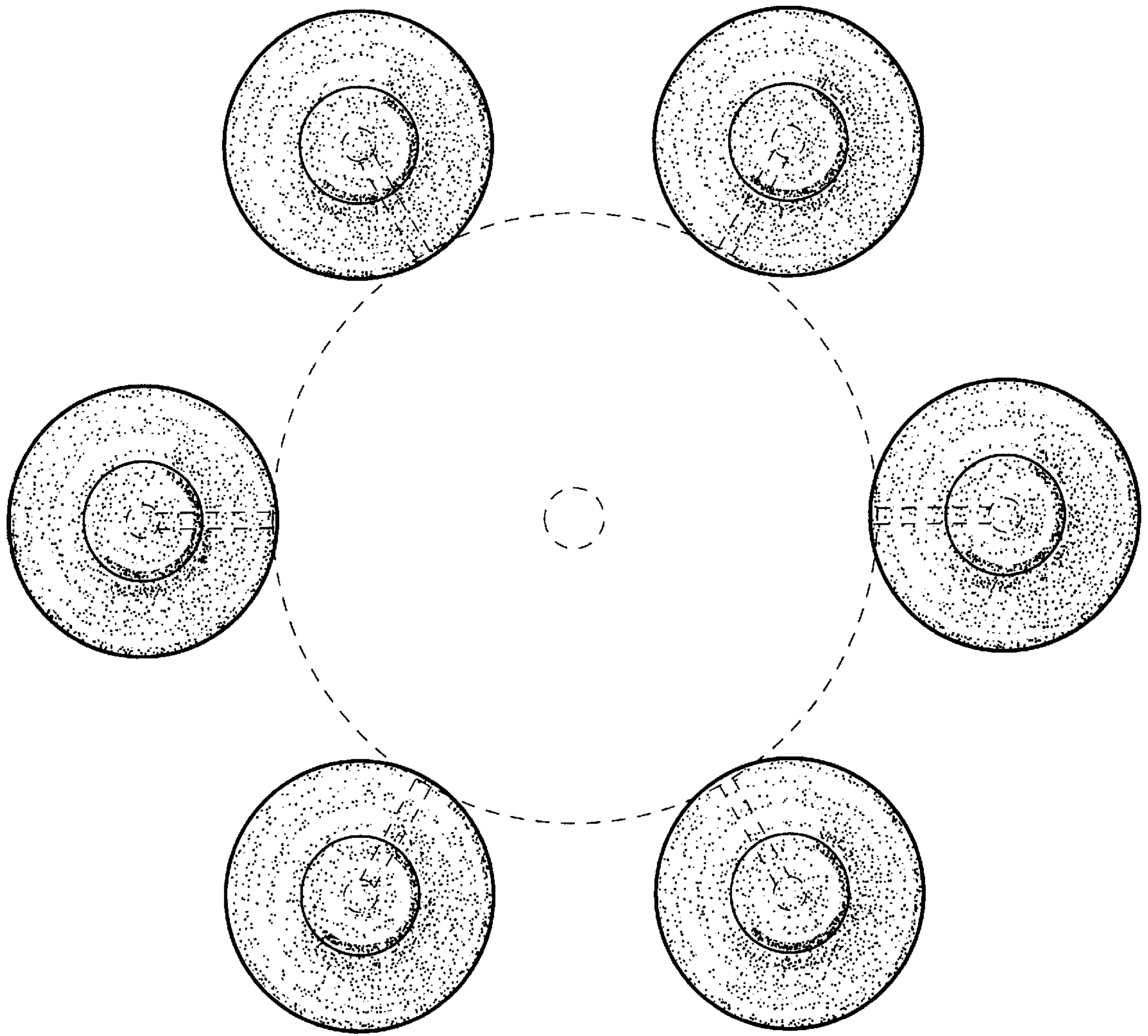


FIG. 5