



US00D440684S

(12) **United States Design Patent**  
**Dolan**

(10) **Patent No.:** **US D440,684 S**

(45) **Date of Patent:** **\*\* Apr. 17, 2001**

(54) **CHANDELIER**

(76) Inventor: **Patrick S. Dolan**, 1901 NW. Upshur,  
Portland, OR (US) 97209

(\*\*) Term: **14 Years**

(21) Appl. No.: **29/125,268**

(22) Filed: **Jun. 21, 2000**

(51) **LOC (7) Cl.** ..... **26-05**

(52) **U.S. Cl.** ..... **D26/85**

(58) **Field of Search** ..... D26/72, 80-92,  
D26/142; 362/147, 404-408

(56) **References Cited**

**U.S. PATENT DOCUMENTS**

D. 404,162	*	1/1999	Dolan	.....	D26/84
D. 430,947		9/2000	Dolan	.	
D. 431,088	*	9/2000	Dolan	.....	D26/84
D. 431,311	*	9/2000	Dolan	.....	D26/84

**OTHER PUBLICATIONS**

Fredrick Ramond Cerritos, CA 1997 Catalog p. 9, Model  
3624 ST WB.

Kichler Cleveland, OH Catalog 100, 2000 p. 92, Model  
59-302 AC.

Fredrick Ramond Cerritos, CA Catalog 1997 p. 11, Model  
3628.

World Imports Atlanta, GA Cat. No. 17, 1990 p. 94, Model  
9055.

\* cited by examiner

*Primary Examiner*—Susan J. Lucas

(57) **CLAIM**

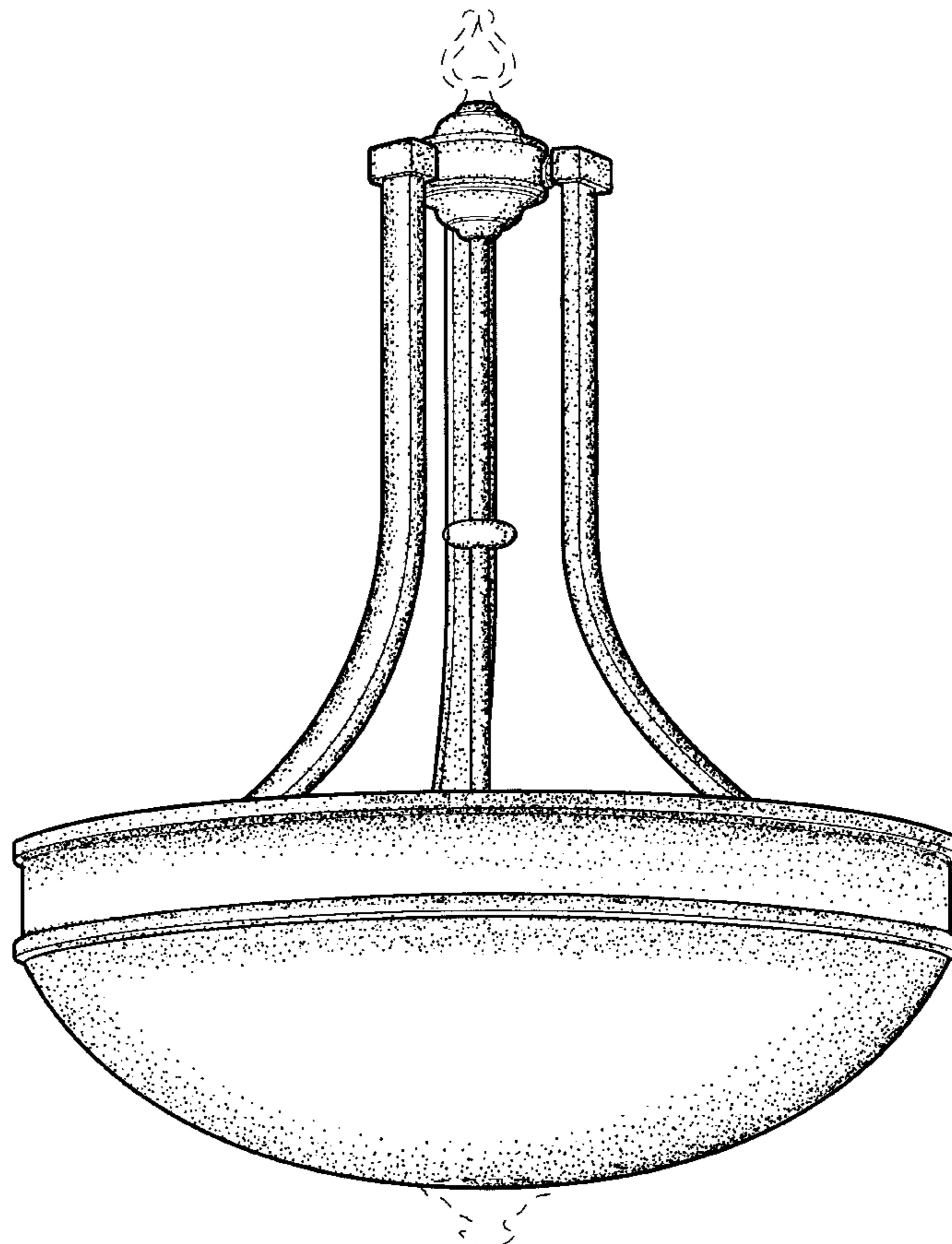
The ornamental design for a chandelier, as shown and  
described.

**DESCRIPTION**

FIG. 1 is a perspective view thereof;  
FIG. 2 is a front elevational view thereof;  
FIG. 3 is a right side view, the left side being a mirror image;  
FIG. 4 is a back elevational view thereof;  
FIG. 5 is a top plan view thereof; and,  
FIG. 6 is a bottom plan view thereof.

The broken lines shown in the drawing are environmental  
only and form no part of the claimed design.

**1 Claim, 6 Drawing Sheets**



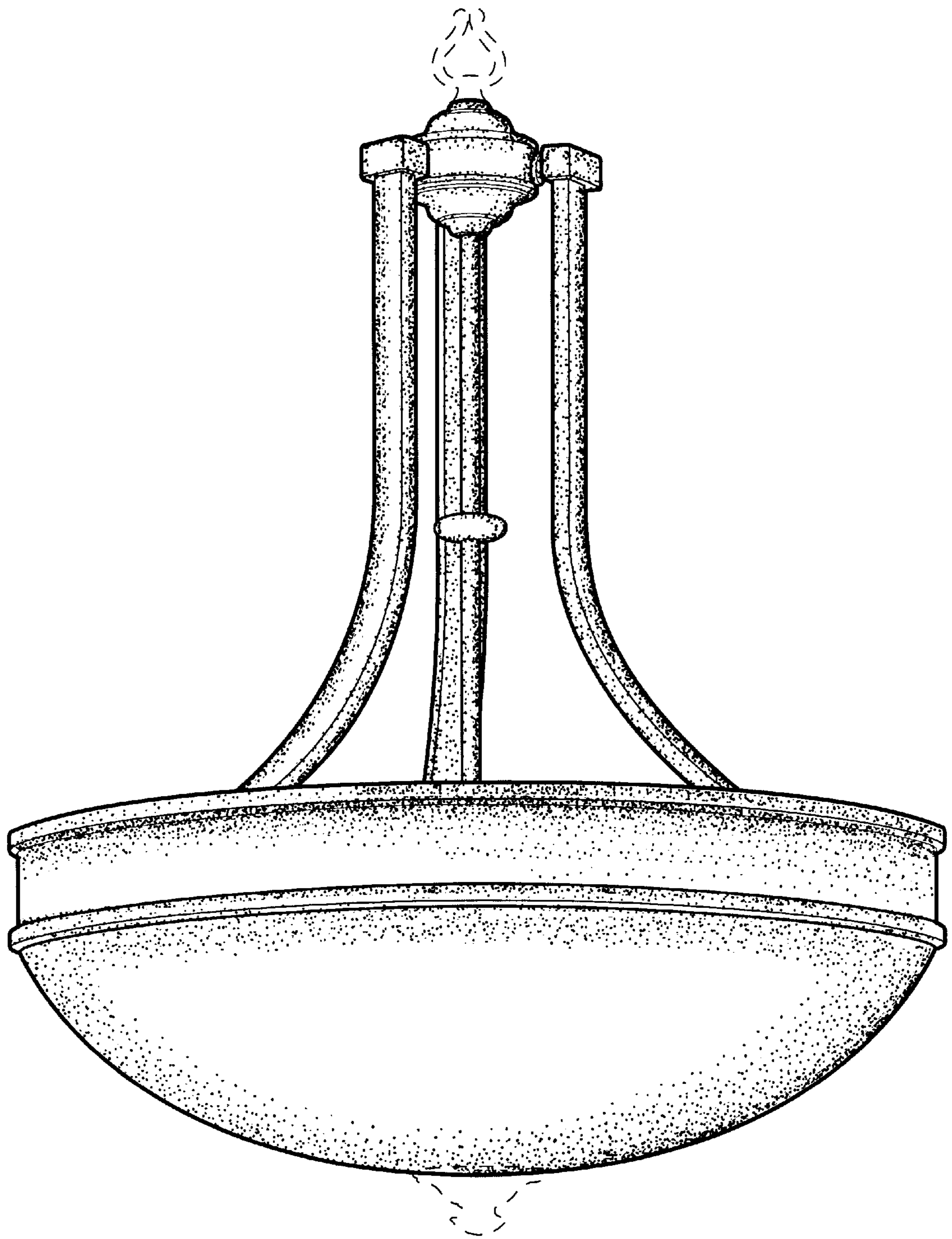


FIG. 1

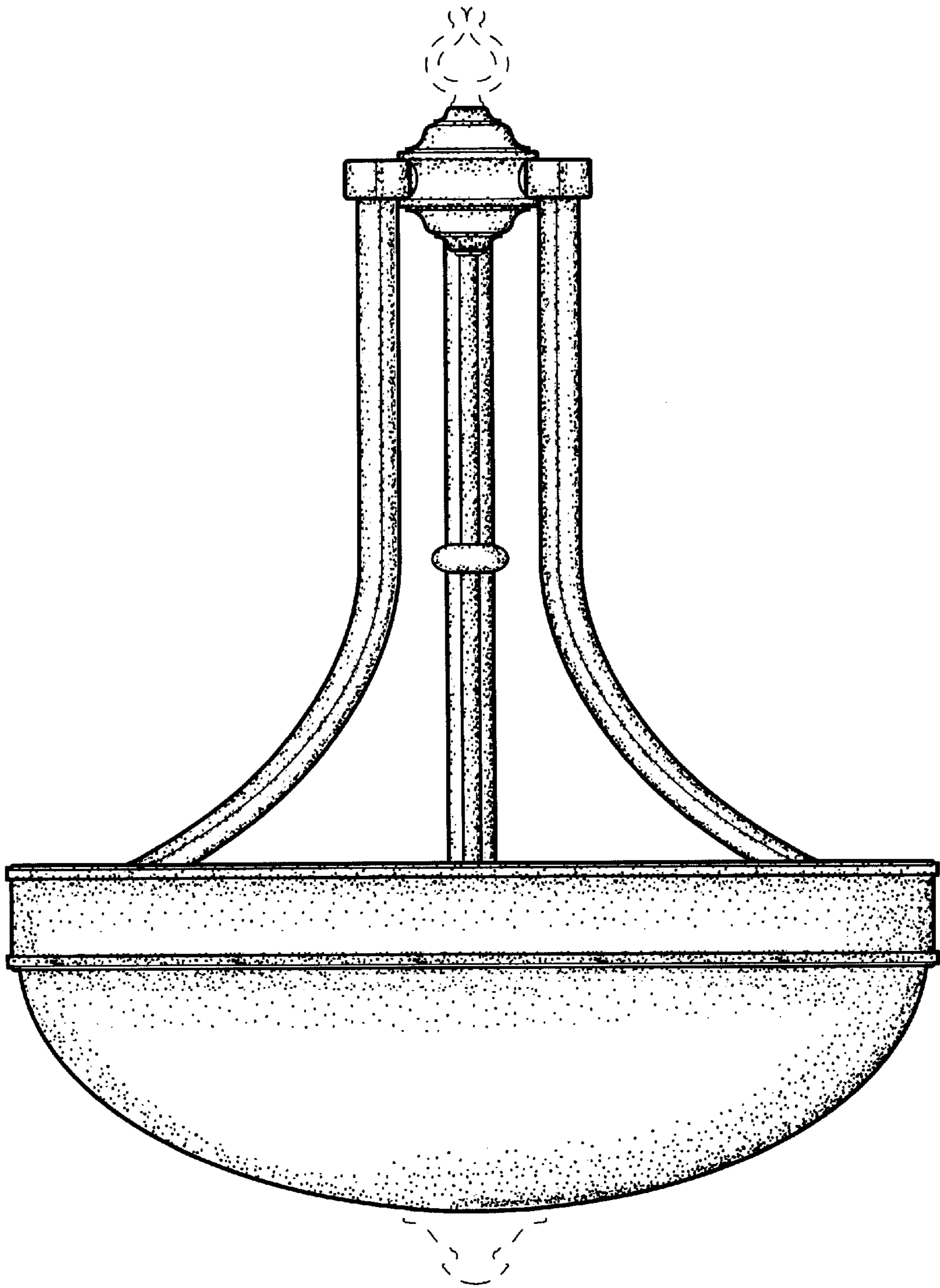


FIG. 2

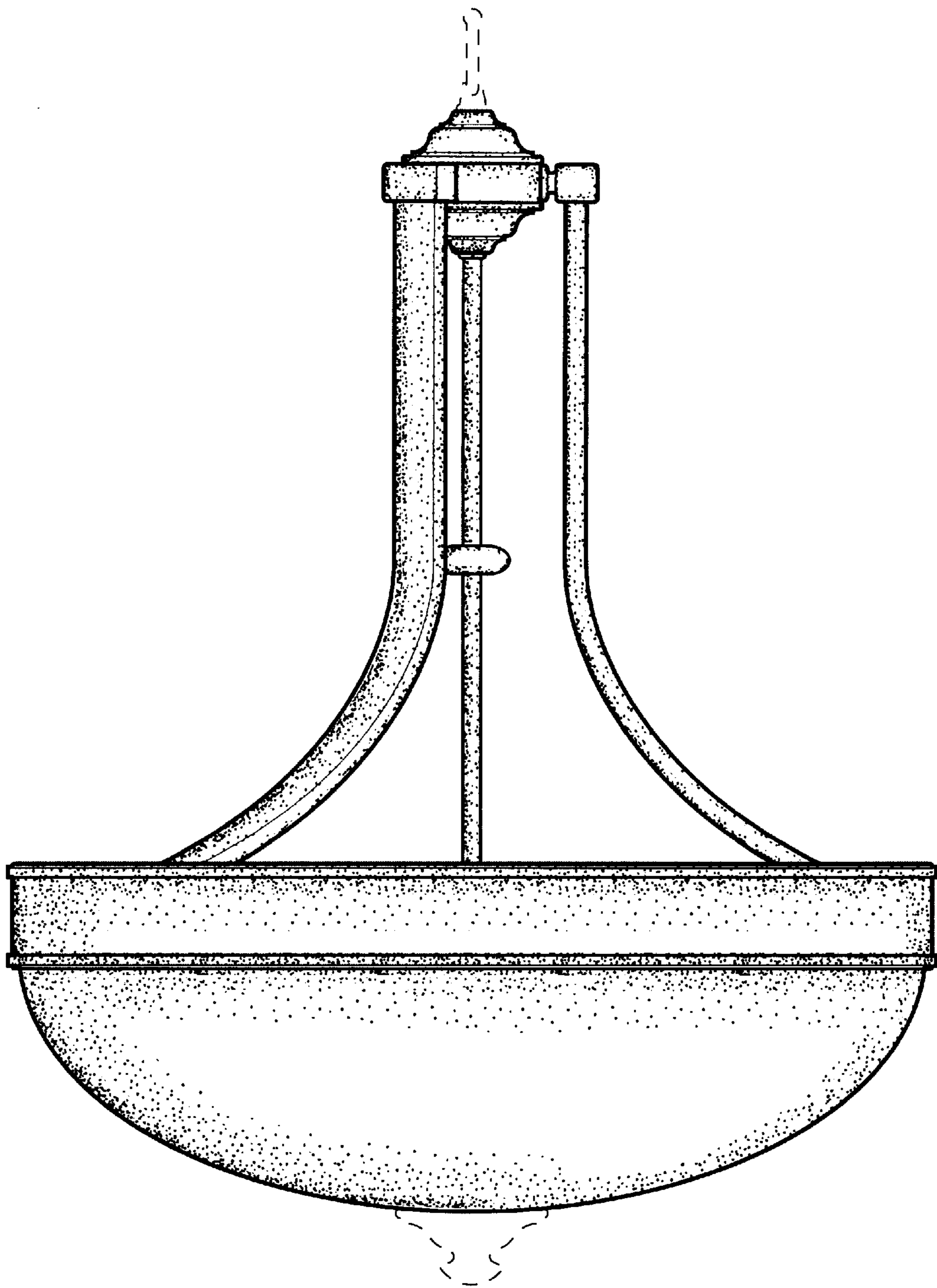


FIG. 3



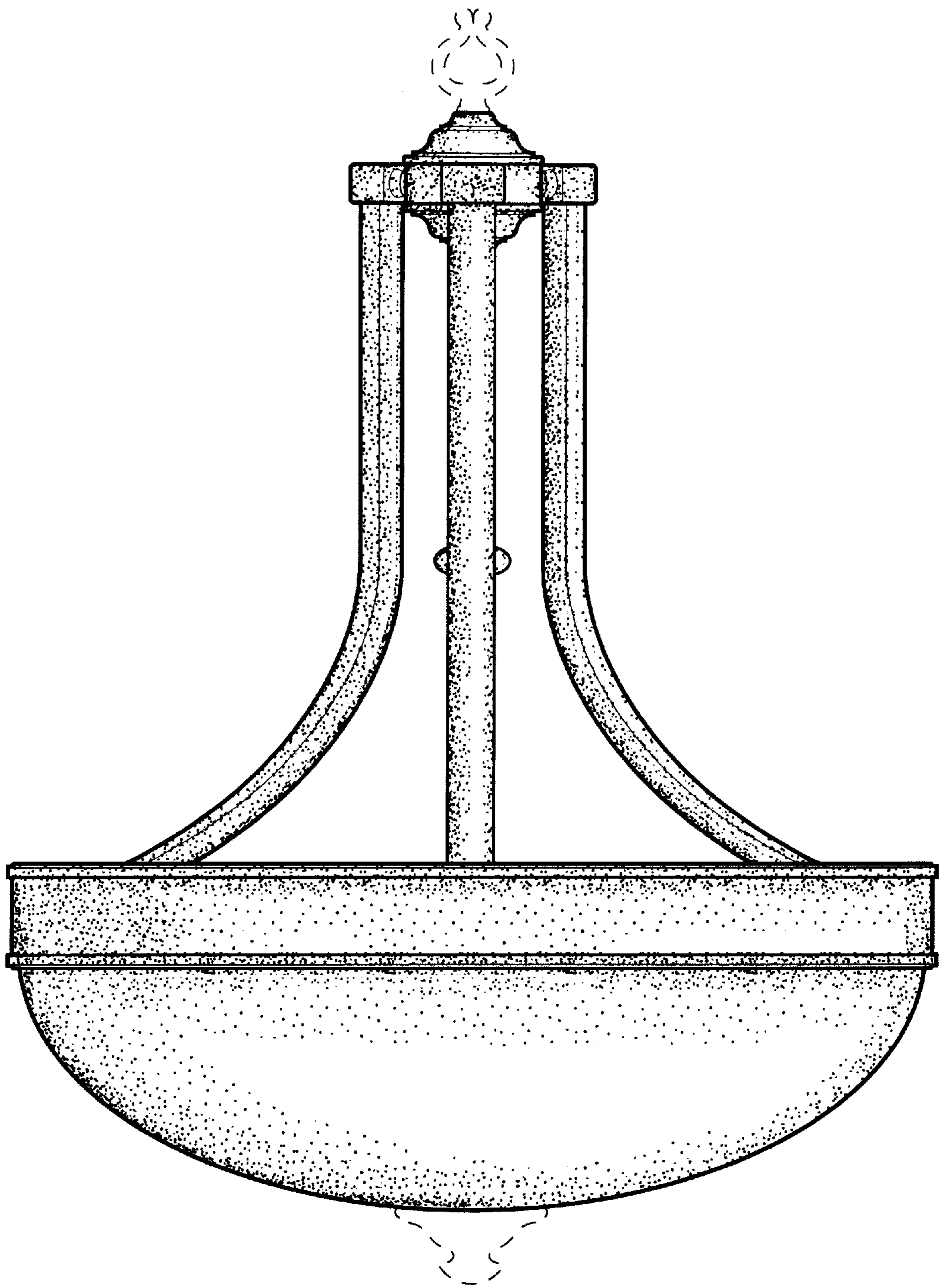


FIG. 4

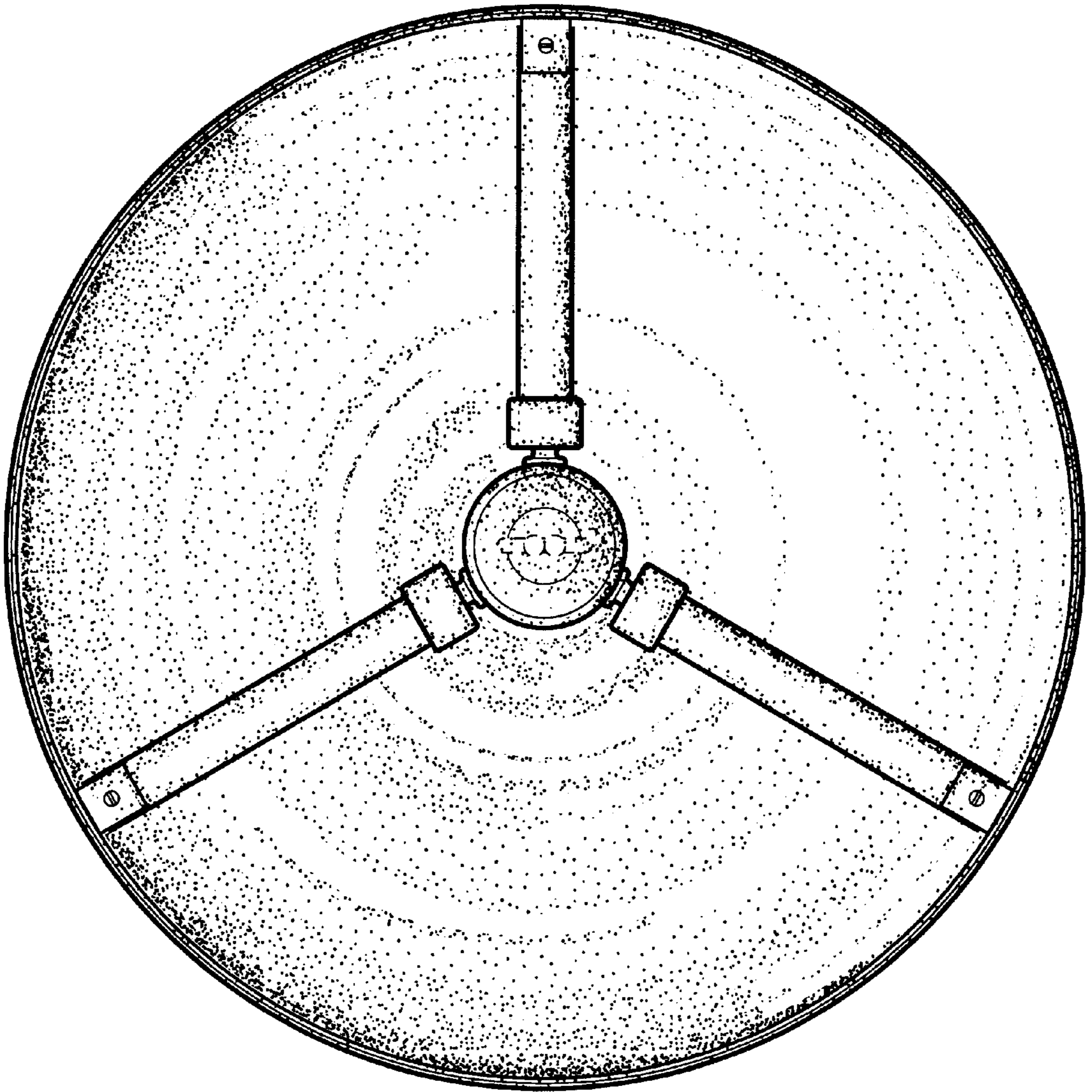
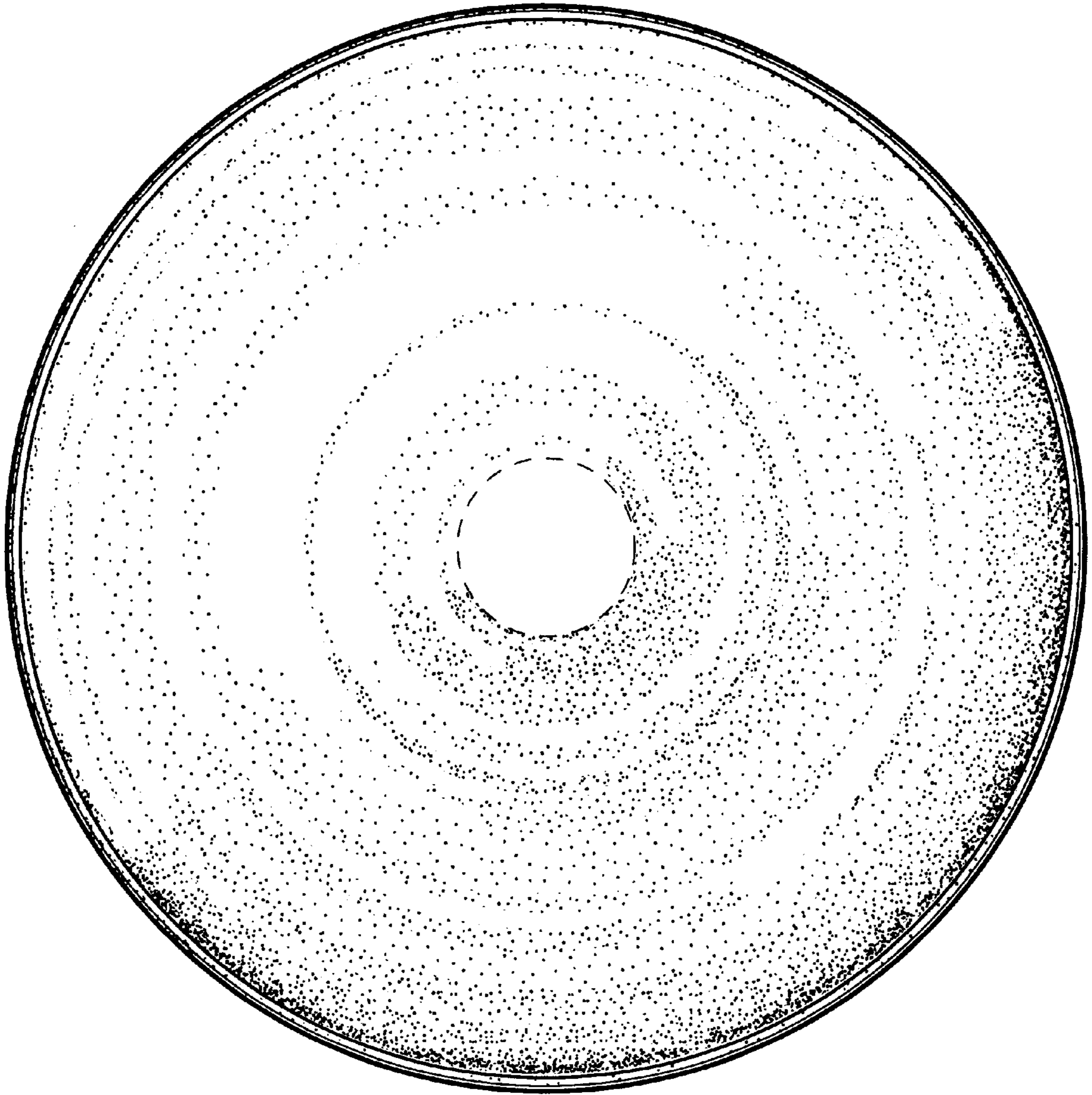


FIG. 5



**FIG. 6**