



US00D440682S

(12) **United States Design Patent**
Dolan

(10) **Patent No.:** **US D440,682 S**

(45) **Date of Patent:** **** Apr. 17, 2001**

(54) **CHANDELIER**

(76) Inventor: **Patrick S. Dolan**, 1901 NW. Upshur,
Portland, OR (US) 97209

(**) Term: **14 Years**

(21) Appl. No.: **29/125,282**

(22) Filed: **Jun. 21, 2000**

(51) **LOC (7) Cl.** **26-05**

(52) **U.S. Cl.** **D26/84; D26/142**

(58) **Field of Search** **D26/72, 80-92,**
D26/142; 362/147, 404-408

(56) **References Cited**

U.S. PATENT DOCUMENTS

D. 429,358	8/2000	Dolan .	
D. 431,087	* 9/2000	Dolan	D26/81
D. 431,089	* 9/2000	Dolan	D26/84
D. 431,311	* 9/2000	Dolan	D26/84

OTHER PUBLICATIONS

Kenroy Int'l Jacksonville, FL catalog 1996 p. 51, Model 77050.
 Elk Lighting Summit Hill, PA 1999 Catalog #9801 p. 46, Model 5784.
 Elk Lighting Summit Hill, PA 1999 Catalog #7900 p. 25, Model 3685.
 Elk Lighting Summit Hill, PA 1999 Catalog #9900 p. 18, Model 2403.

Forecast Elgin, IL Brochure F27346 p. 6, Model F291-45.
 Elk Coaldale, PA Cat. 9600, 1996 Model 3431, p. 3, 1999.
 Classic Lighting Palm Coast, FL Cat. 3594, 1994 p. 2, Model 2429.
 Forecast Elgin, IL Cat. 1999 p. 23, Model 159-57.
 Georgian Art Lawrenceville, GA Cat 049325, 1993 p. 36, Model 60-1990.
 H.A. Framburg Bellwood, IL Cat-A-96, 1996 p. 102, Model 8305.
 Kenroy Jacksonville, FL Cat. FC0400, 99-2000 p. 7, Model 66409.

* cited by examiner

Primary Examiner—Susan J. Lucas

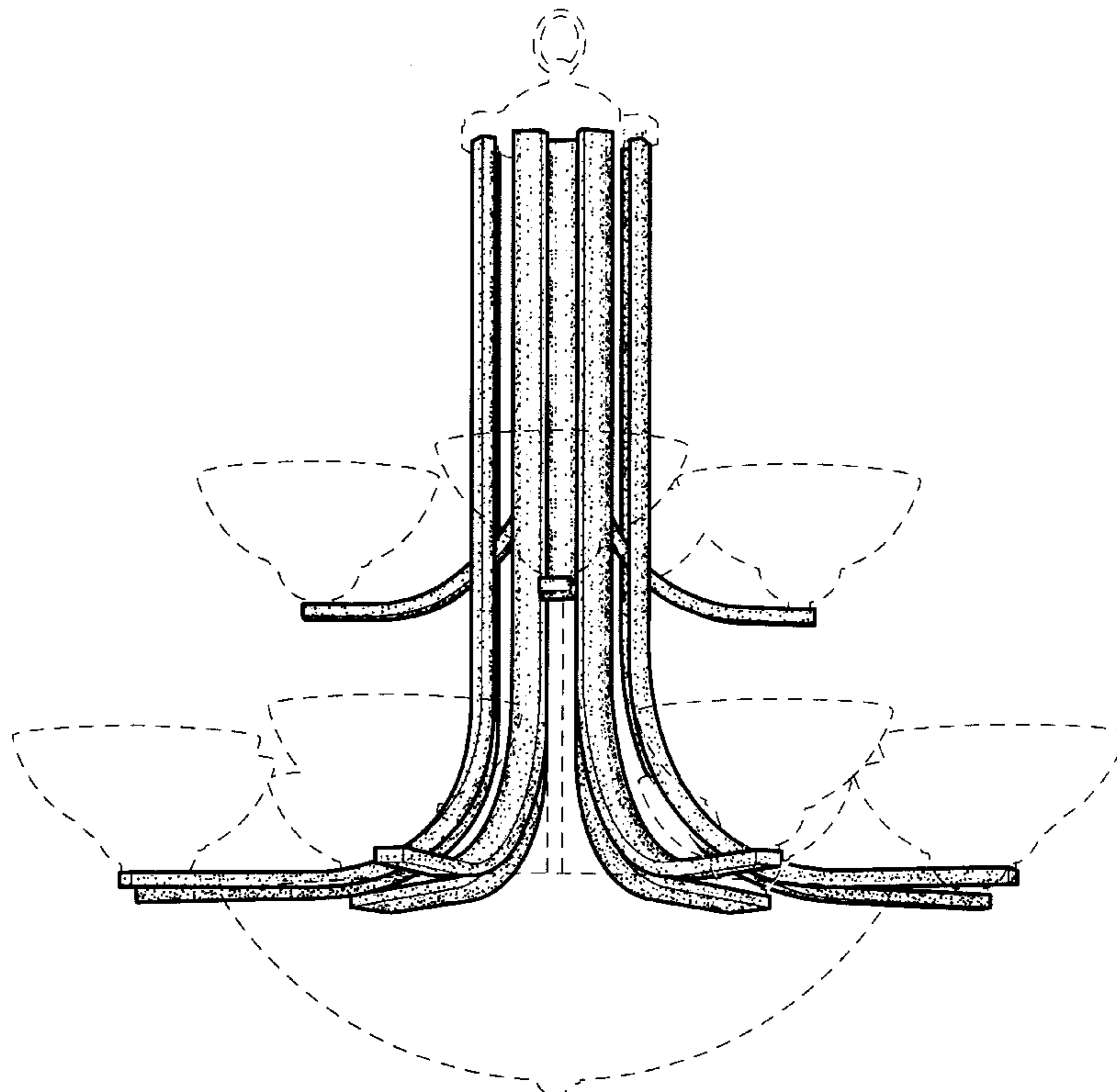
(57) **CLAIM**

The ornamental design for a chandelier, as shown and described.

DESCRIPTION

FIG. 1 is a perspective view thereof;
 FIG. 2 is a front elevational view thereof, all sides being identical;
 FIG. 3 is a top plan view thereof; and,
 FIG. 4 is a bottom plan view thereof.
 The broken lines shown in the drawing are environmental only and form no part of the claimed design.

1 Claim, 4 Drawing Sheets



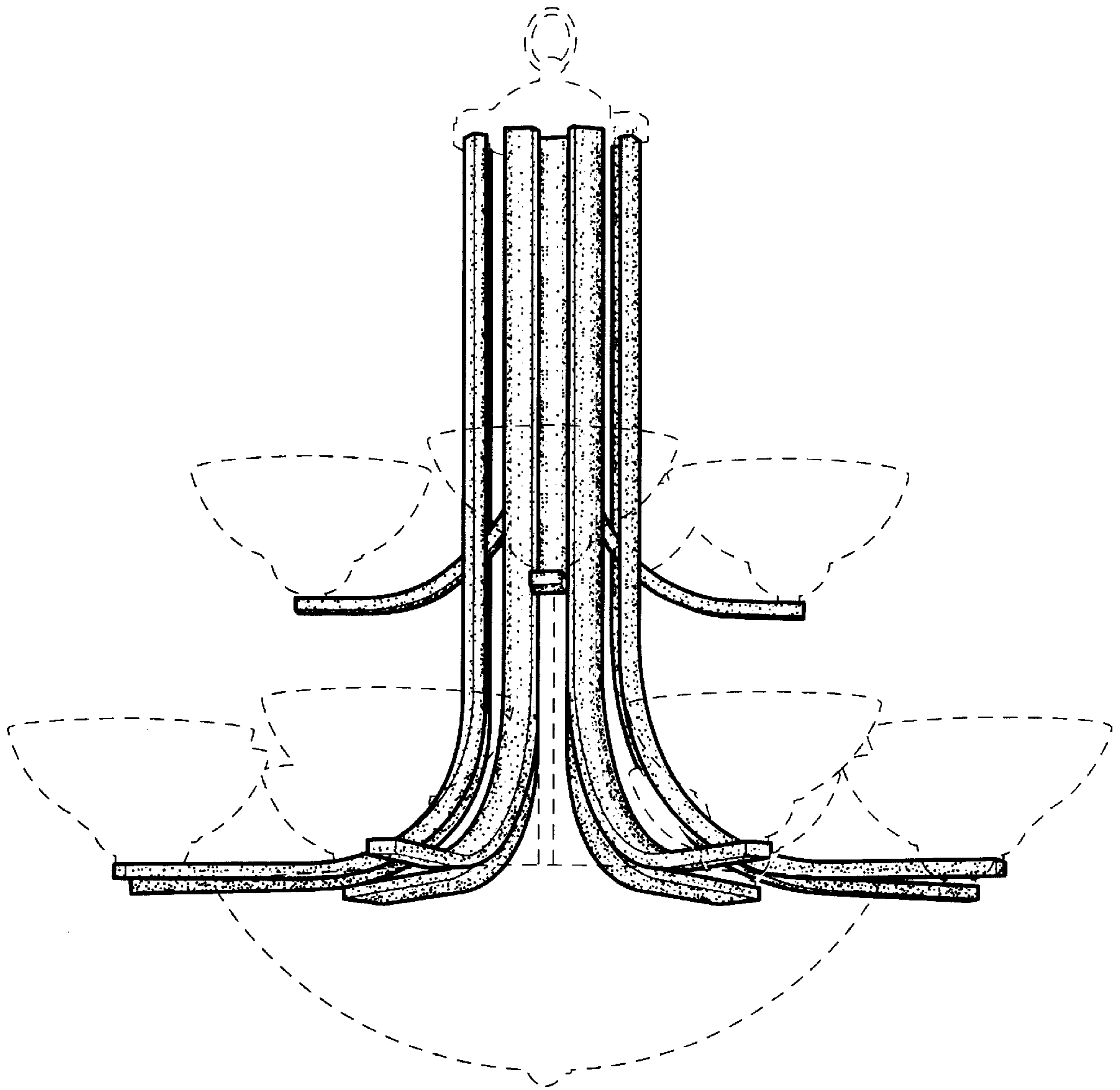


FIG. 1

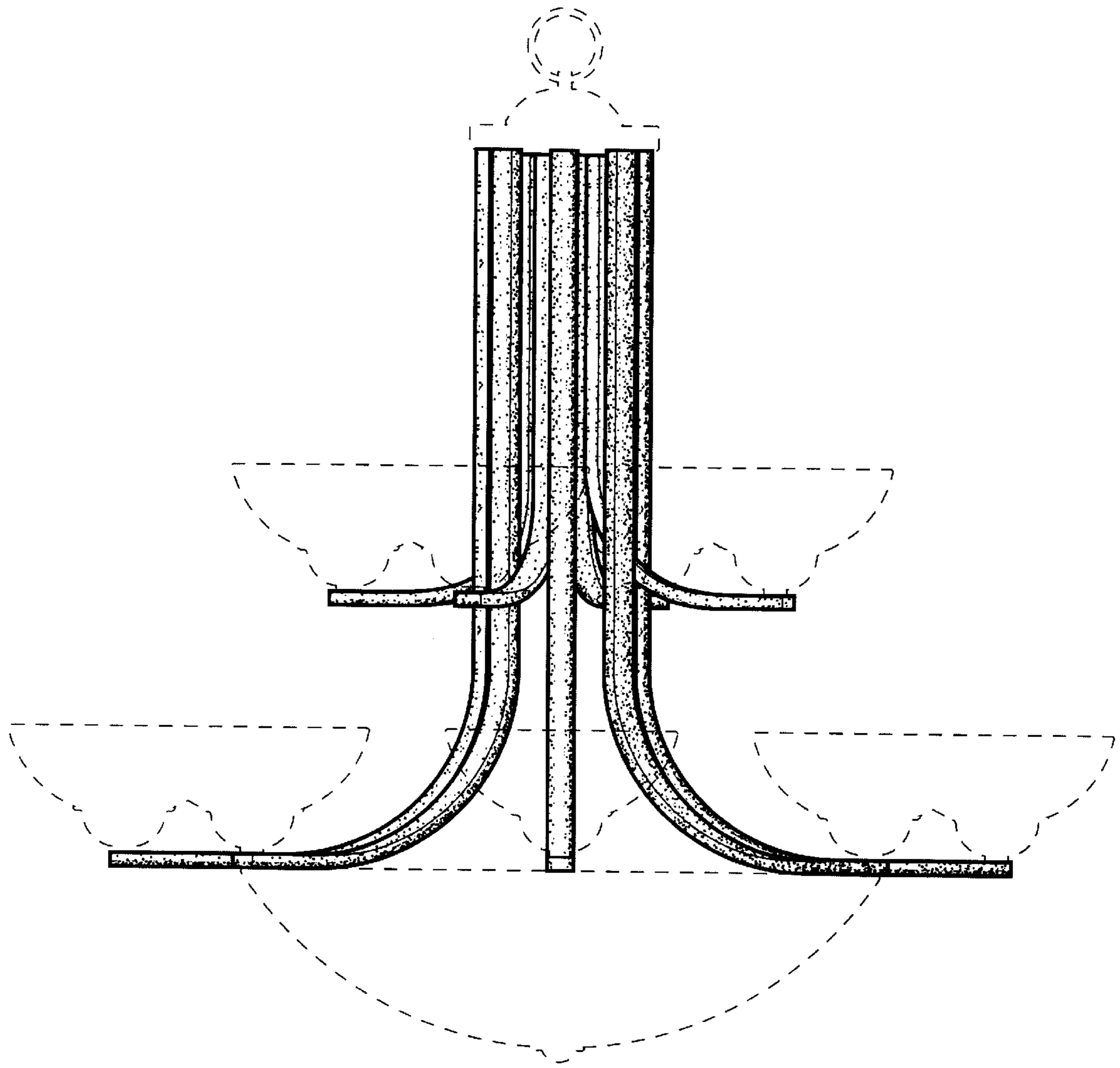


FIG. 2

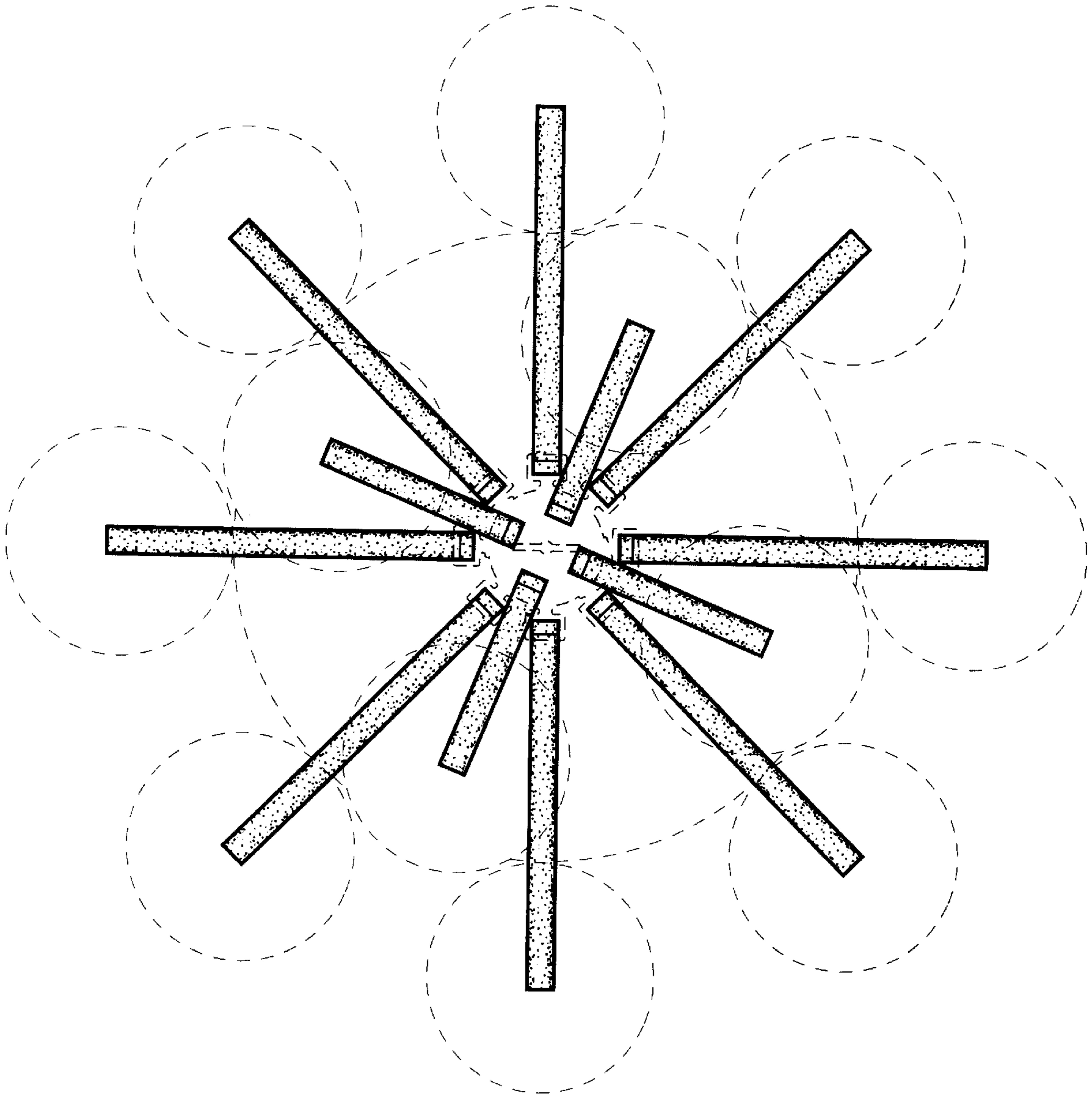


FIG. 3

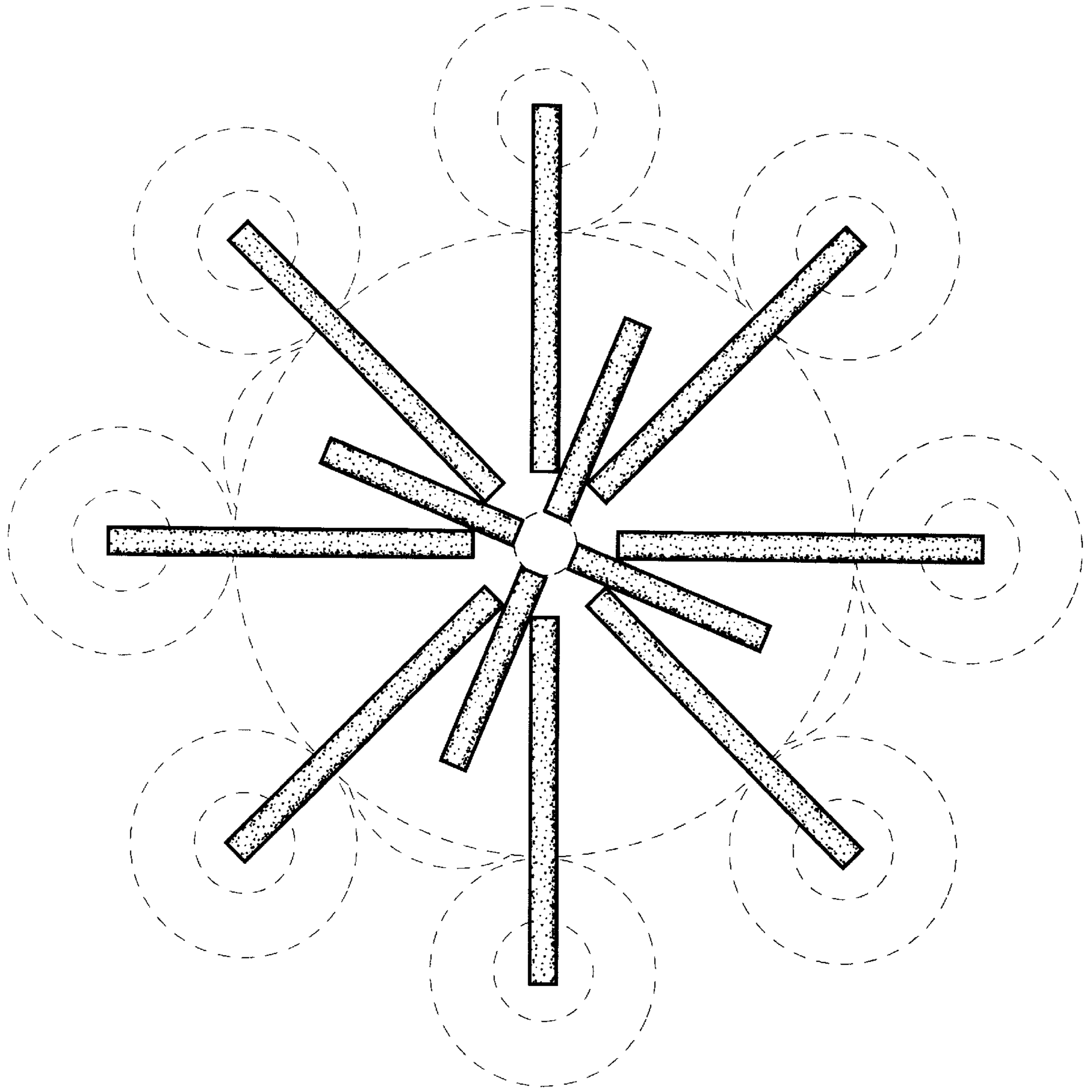


FIG. 4