



US00D440681S

(12) **United States Design Patent**
Dolan

(10) **Patent No.:** **US D440,681 S**

(45) **Date of Patent:** **** Apr. 17, 2001**

(54) **CHANDELIER**

D. 431,089 * 9/2000 Dolan D26/84

(76) Inventor: **Patrick S. Dolan**, 1901 NW. Upshur,
Portland, OR (US) 97209

* cited by examiner

Primary Examiner—Susan J. Lucas

(**) Term: **14 Years**

(57) **CLAIM**

(21) Appl. No.: **29/125,273**

The ornamental design for a chandelier, as shown and described.

(22) Filed: **Jun. 21, 2000**

DESCRIPTION

(51) **LOC (7) Cl.** **26-05**

(52) **U.S. Cl.** **D26/84; D26/142**

(58) **Field of Search** **D26/72, 80-92;**
362/147, 404-408

FIG. 1 is a perspective view thereof;
FIG. 2 is a front elevational view thereof, the back view being identical;
FIG. 3 is a right side view, the left side view being identical;
FIG. 4 is a top plan view thereof; and,
FIG. 5 is a bottom plan view thereof.

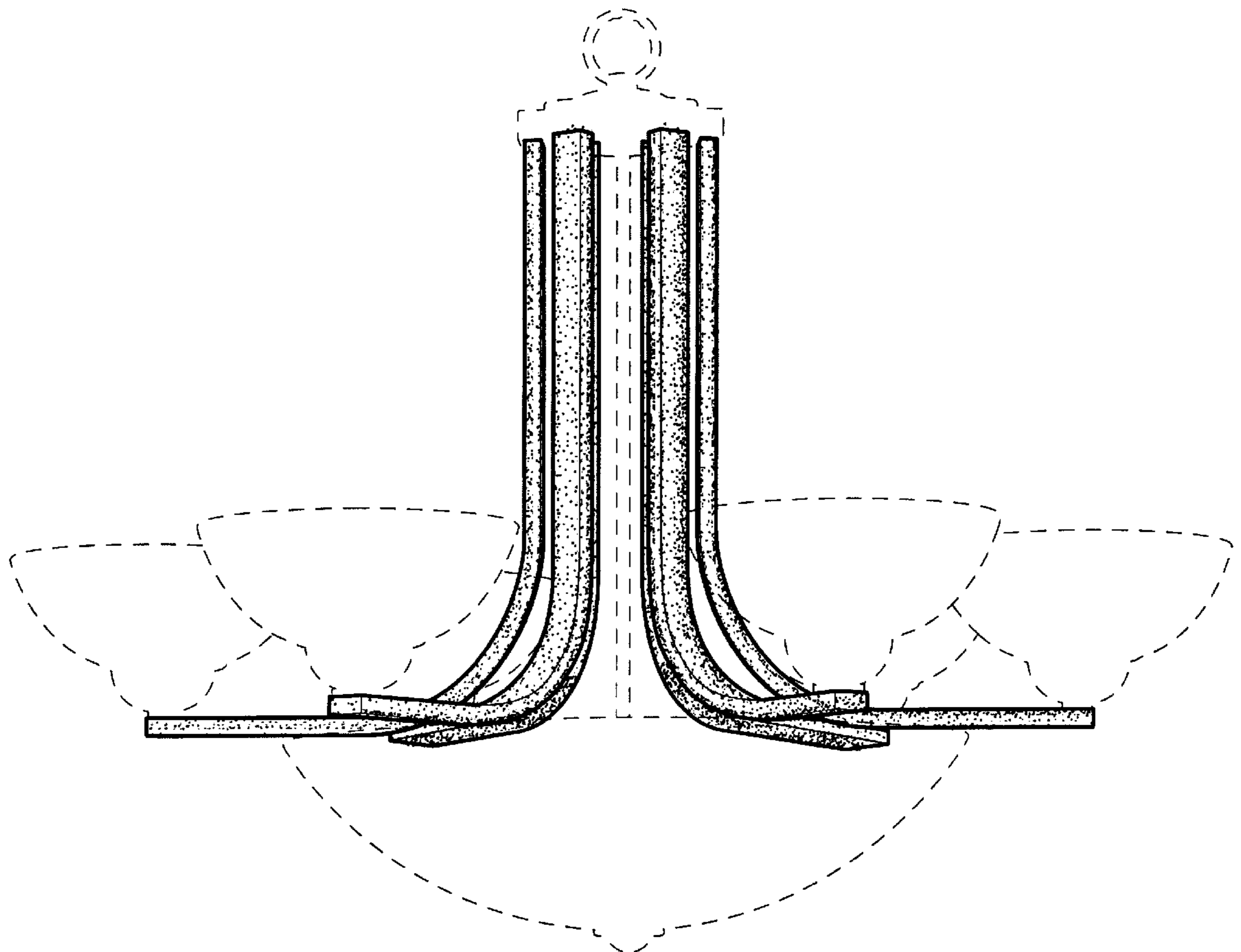
(56) **References Cited**

The broken lines shown in the drawing are environmental only and form no part of the claimed design.

U.S. PATENT DOCUMENTS

- D. 404,162 * 1/1999 Dolan D26/84
- D. 429,358 * 8/2000 Dolan D26/84
- D. 431,087 * 9/2000 Dolan D26/81

1 Claim, 5 Drawing Sheets



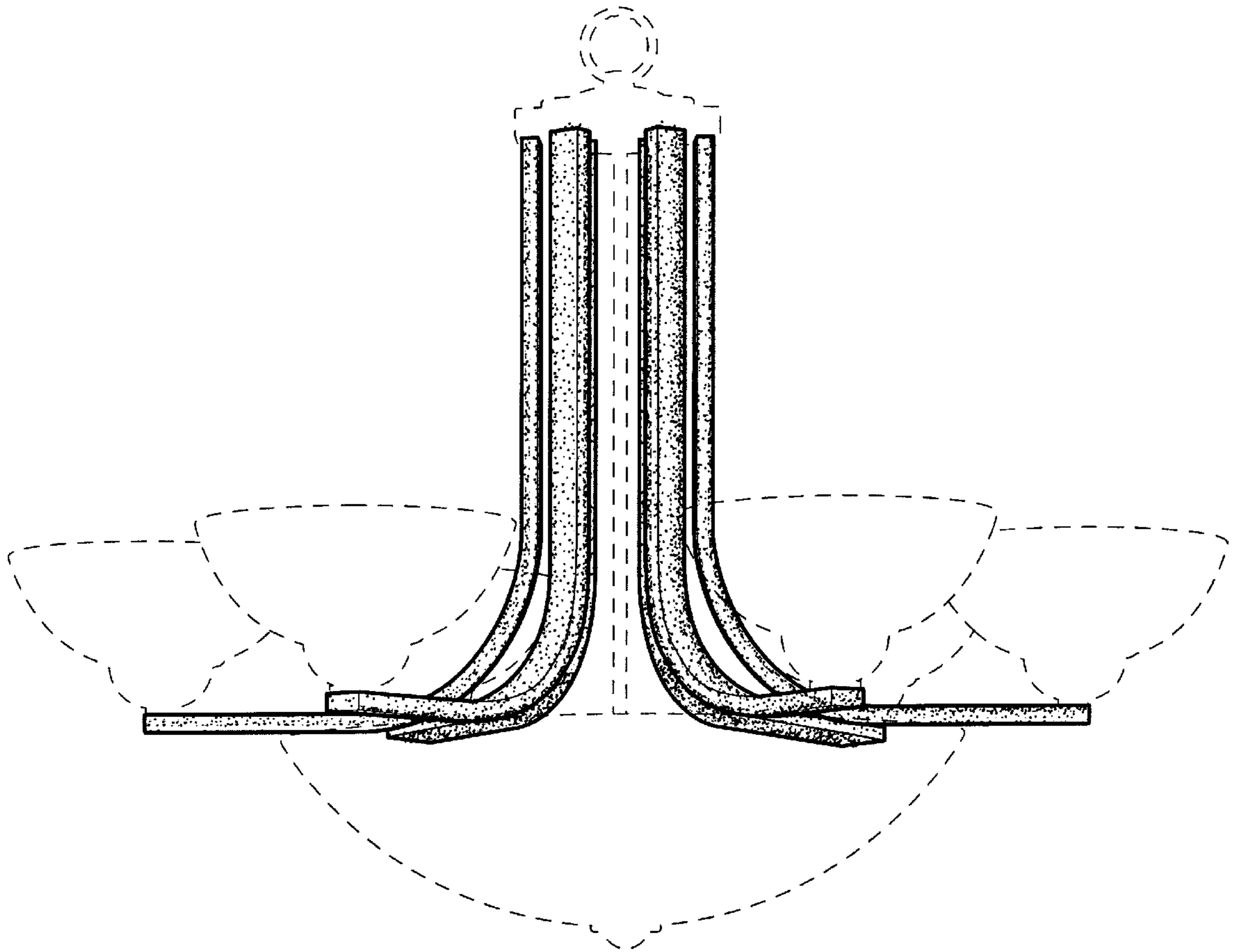


FIG. 1

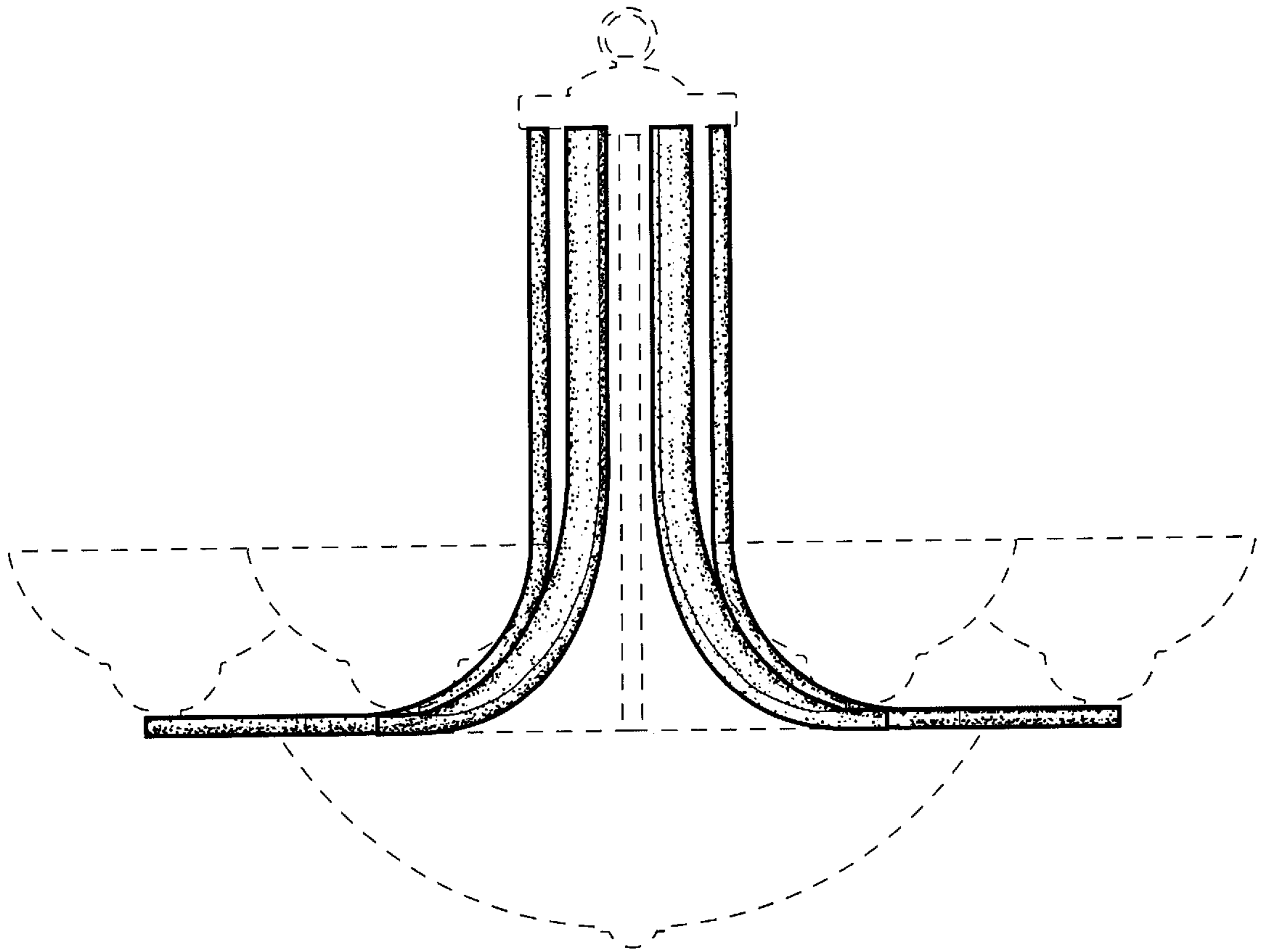


FIG. 2

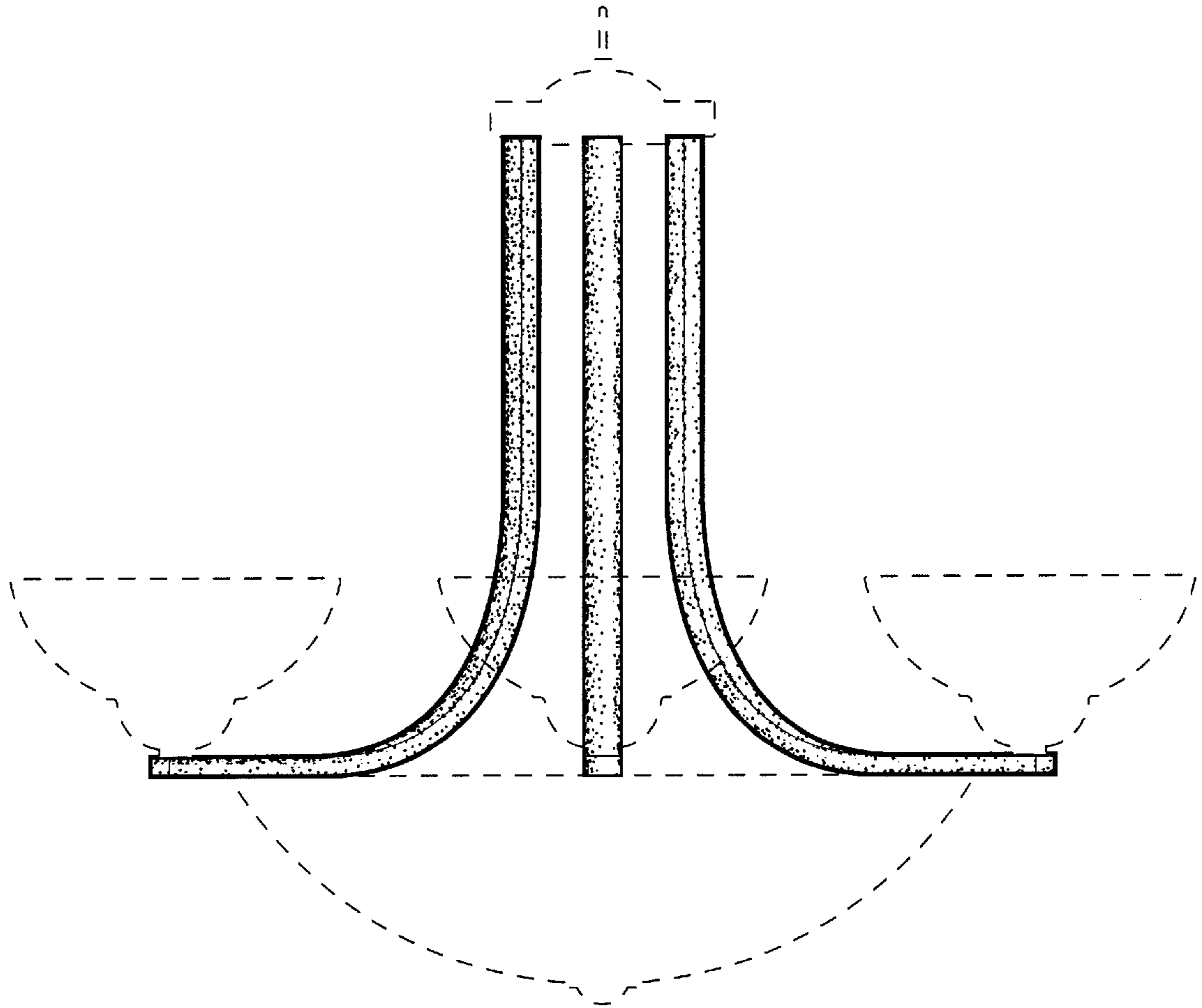


FIG. 3

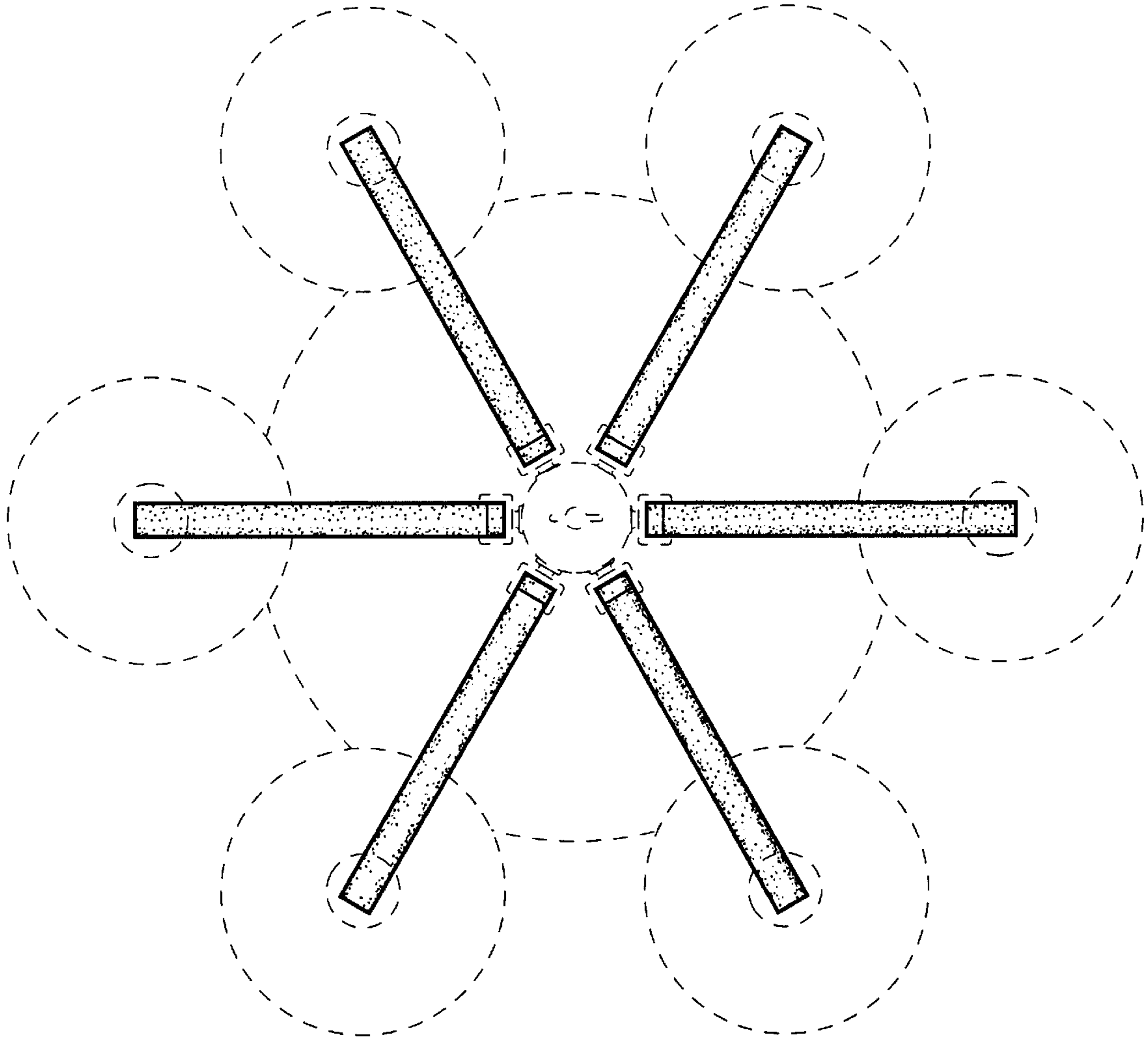


FIG. 4

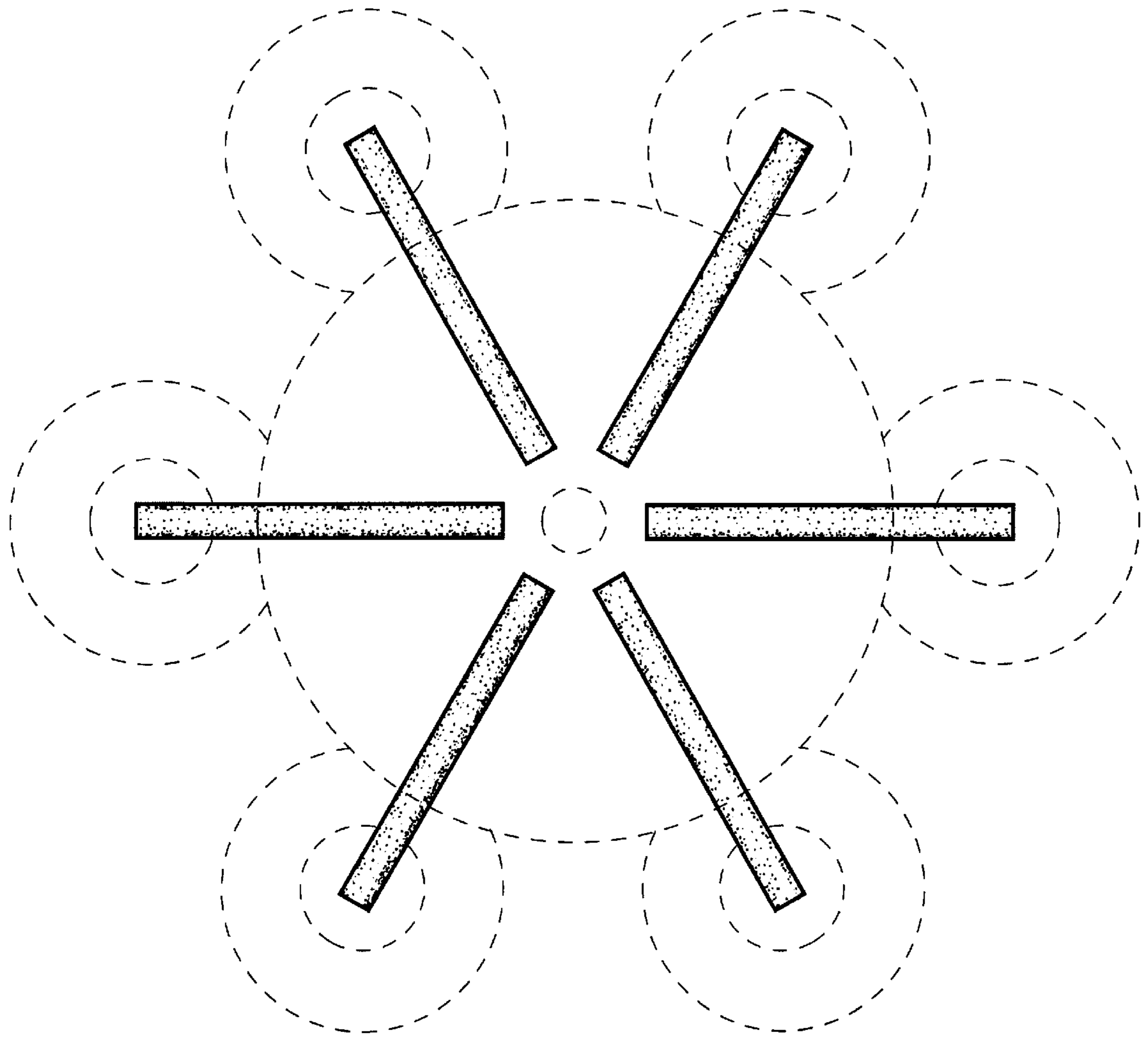


FIG. 5