



US00D440679S

(12) **United States Design Patent**
Lo

(10) **Patent No.:** **US D440,679 S**

(45) **Date of Patent:** **** Apr. 17, 2001**

(54) **COMBINATION DESK ORGANIZER AND LAMP**

(75) Inventor: **David Lo**, Taipei (TW)

(73) Assignee: **The Holmes Group, Inc.**, Milford, MA (US)

(**) Term: **14 Years**

(21) Appl. No.: **29/126,071**

(22) Filed: **Jul. 7, 2000**

(51) **LOC (7) Cl.** **26-05**

(52) **U.S. Cl.** **D26/62**

(58) **Field of Search** D26/60-65; 362/410-414

(56) **References Cited**

U.S. PATENT DOCUMENTS

D. 279,130	6/1985	Berger .
D. 312,885	12/1990	Louis .
D. 351,919	10/1994	Rorke .
D. 383,559	9/1997	Chan .
D. 388,210	12/1997	Yang .
D. 391,665	3/1998	Yang .
D. 399,334	10/1998	Lo .
D. 402,773	12/1998	Lo .
D. 410,298	5/1999	Sherman .
3,900,727	8/1975	Hutz .
4,447,865	5/1984	Van Horn et al. .
5,586,820	12/1996	Klink .
5,765,793	6/1998	Yu .

OTHER PUBLICATIONS

Taiwan Lighting, Aug. 1997, p. 90, desk lamp #399.*

Taiwan Lighting, Aug. 1997, p. 95, desk lamp #7278-1 (20W).*

Brilliant Lighting catalog, 1984/85, p. 16, clip-on lamp #329 01/16.

* cited by examiner

Primary Examiner—Susan J. Lucas

(74) *Attorney, Agent, or Firm*—Hoffmann & Baron, LLP; Francis E. Marino

(57) **CLAIM**

The ornamental design for a combination desk organizer and lamp, as shown and described.

DESCRIPTION

FIG. 1 is a top perspective view of a combination desk organizer and lamp showing my new design;

FIG. 2 is a top plan view thereof wherein the lamp shade is oriented in a horizontal position;

FIG. 3 is a front elevation view thereof wherein the lamp shade is oriented in a horizontal position;

FIG. 4 is a right side elevation view thereof; and,

FIG. 5 is a left side elevation view thereof.

The subject matter shown in broken lines forms no part of the claimed design. The rear and bottom views (not shown) form no part of the claimed design.

1 Claim, 5 Drawing Sheets

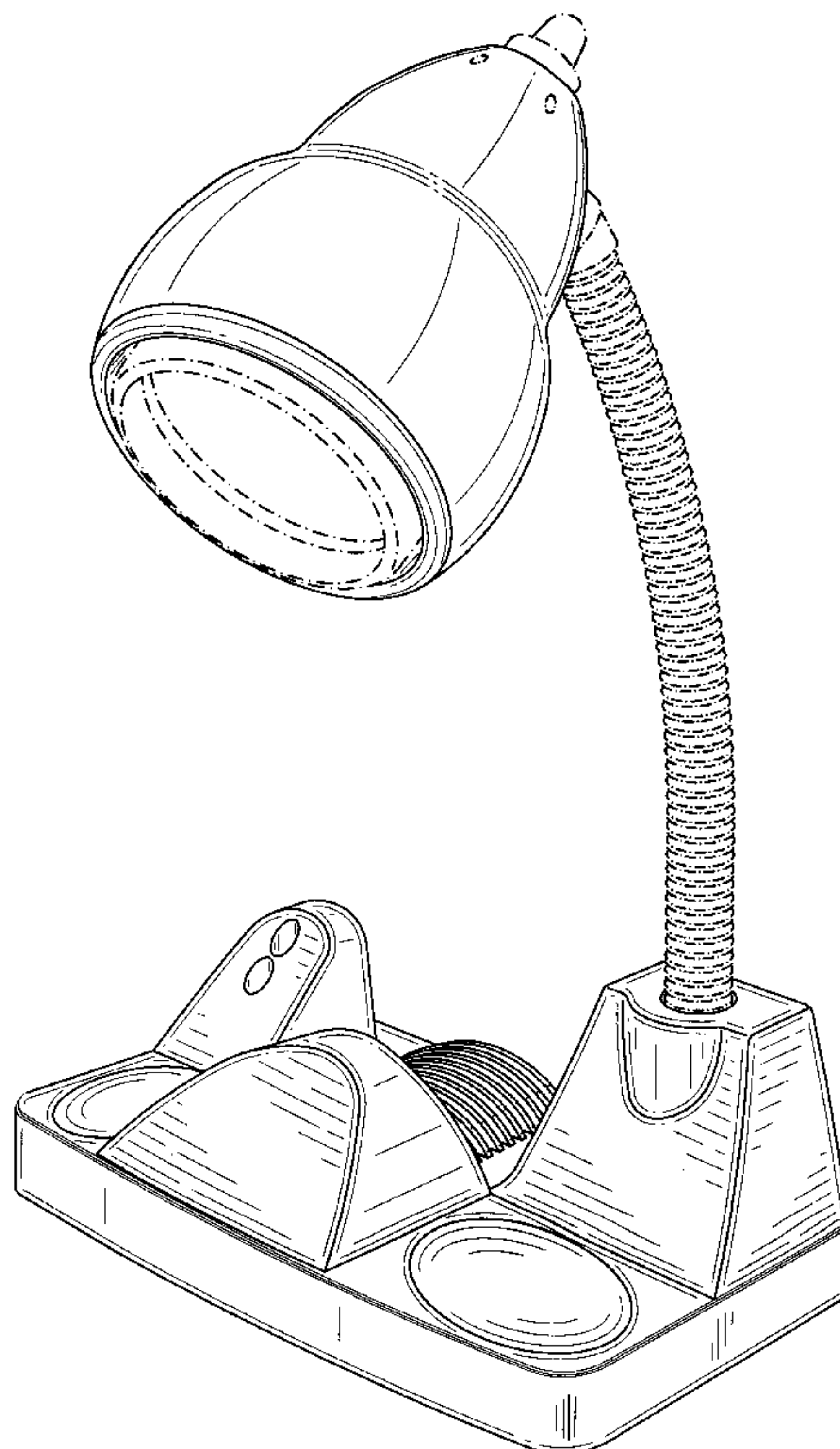


FIG. 1

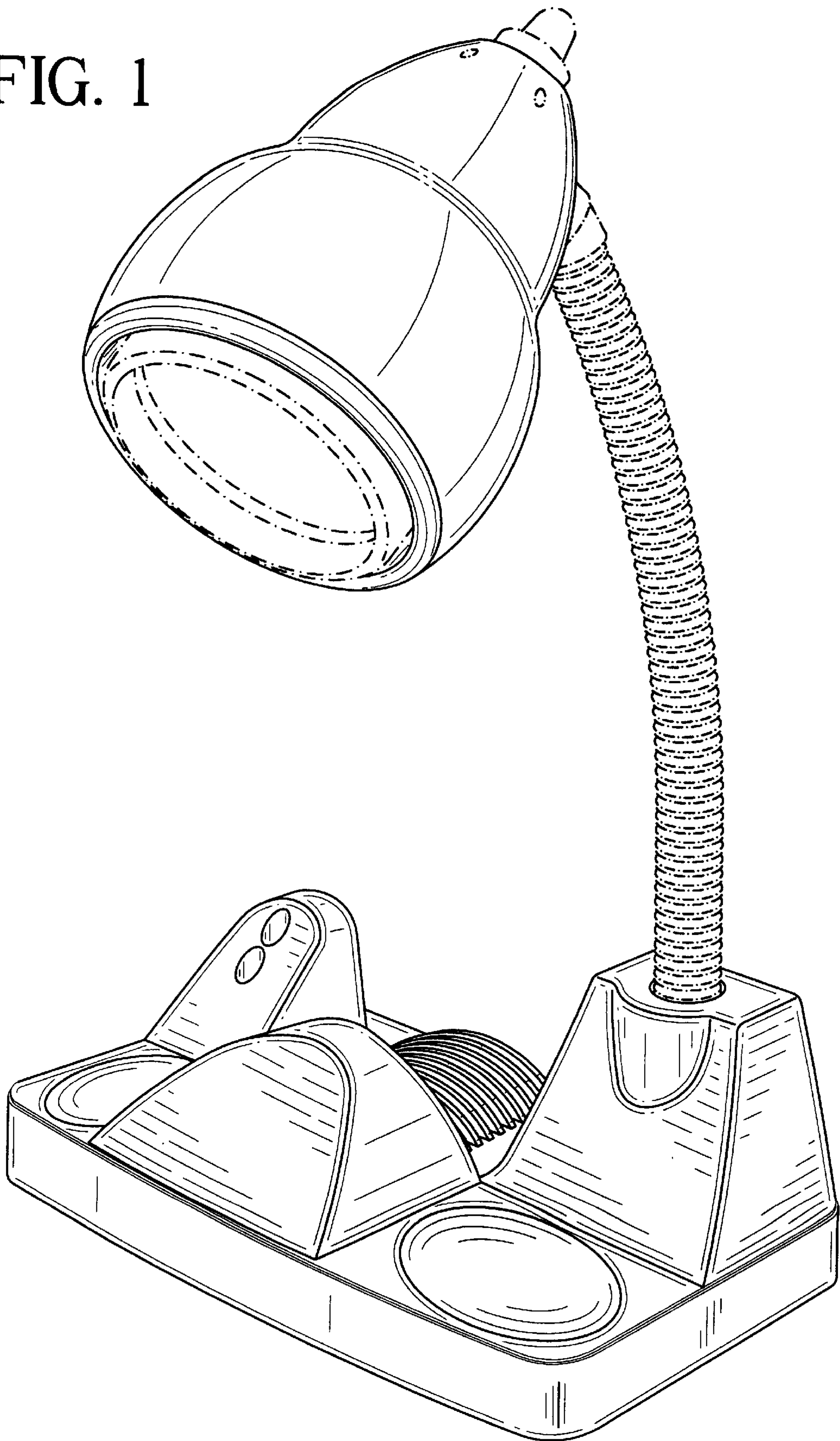


FIG. 2

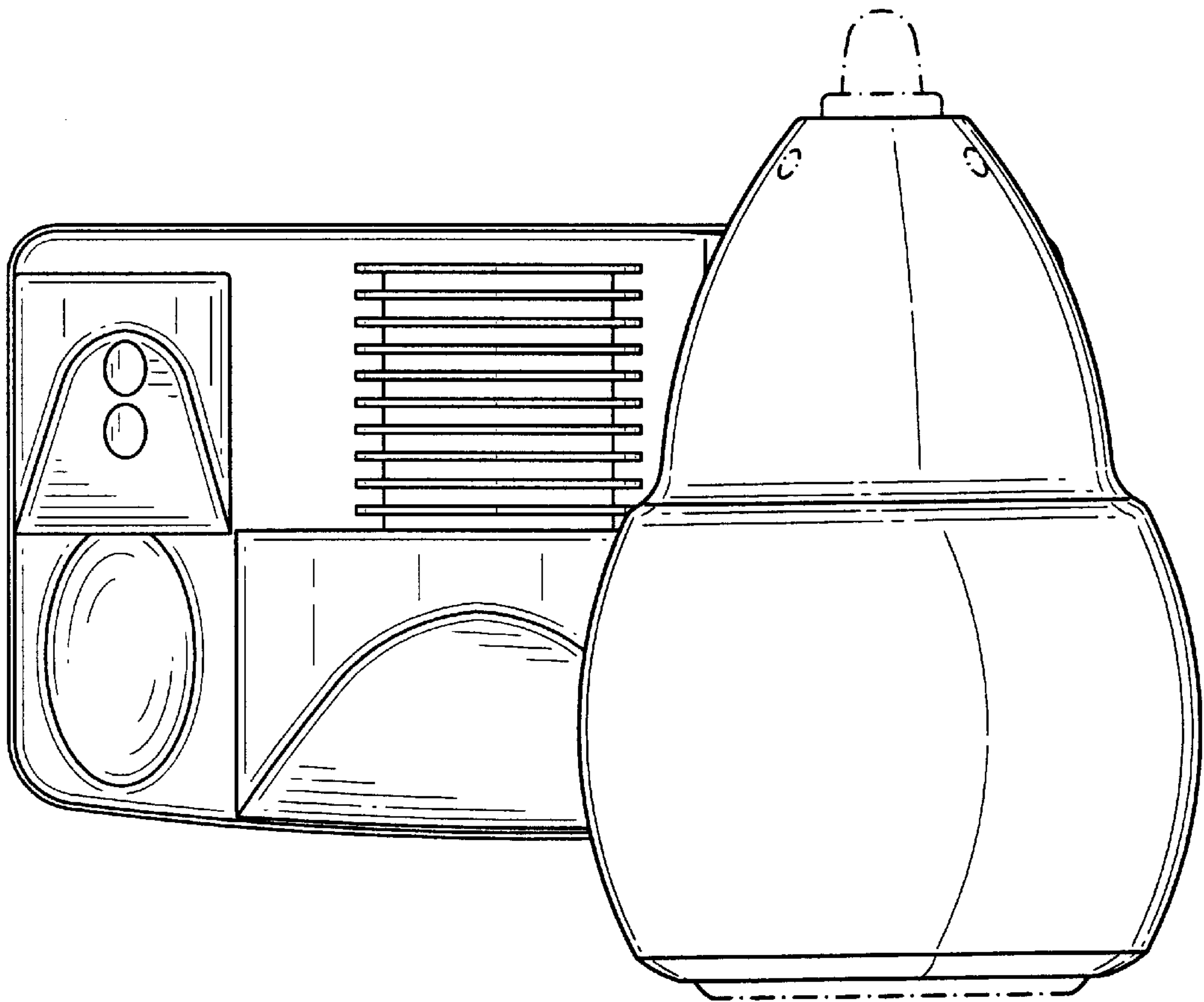


FIG. 3

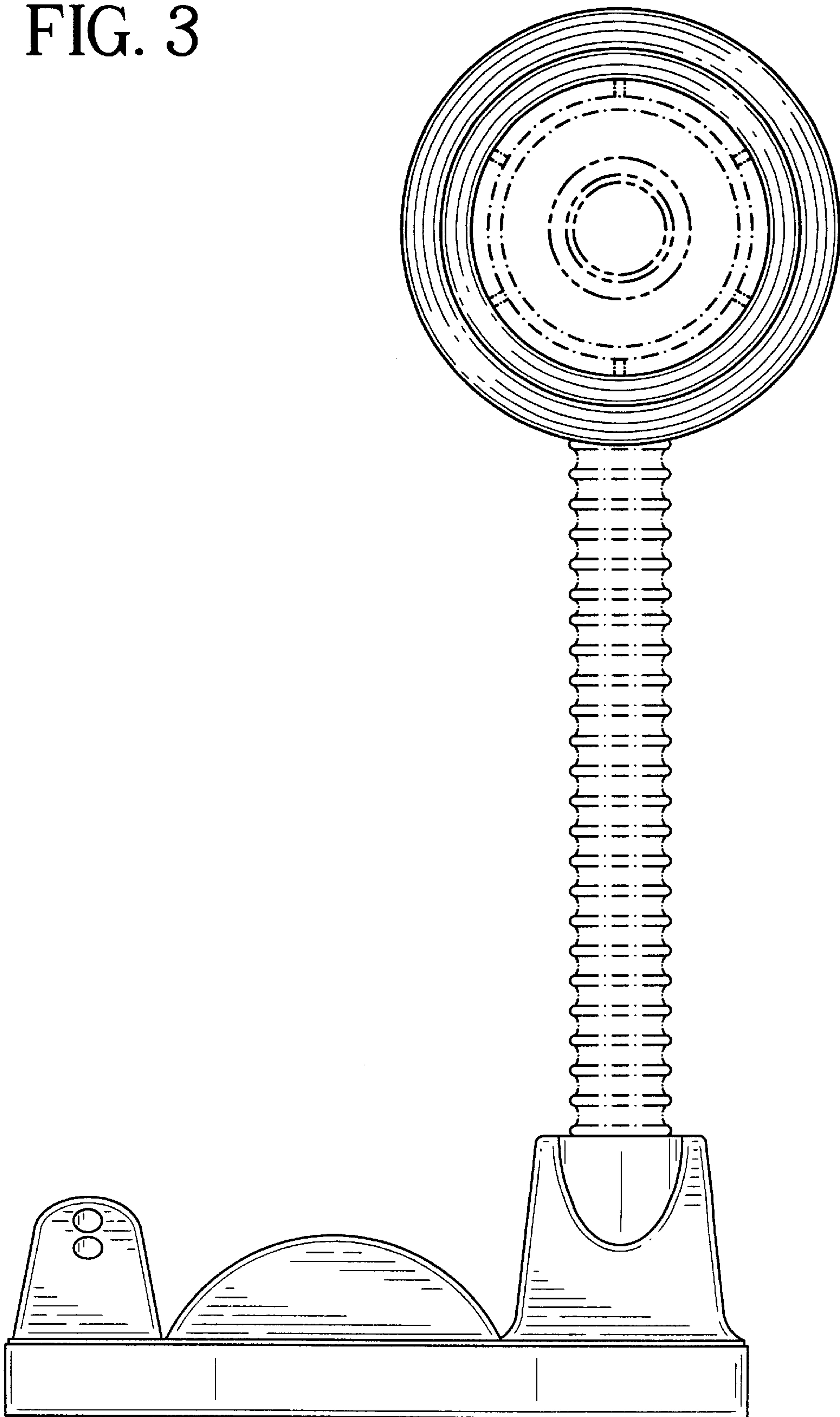


FIG. 4

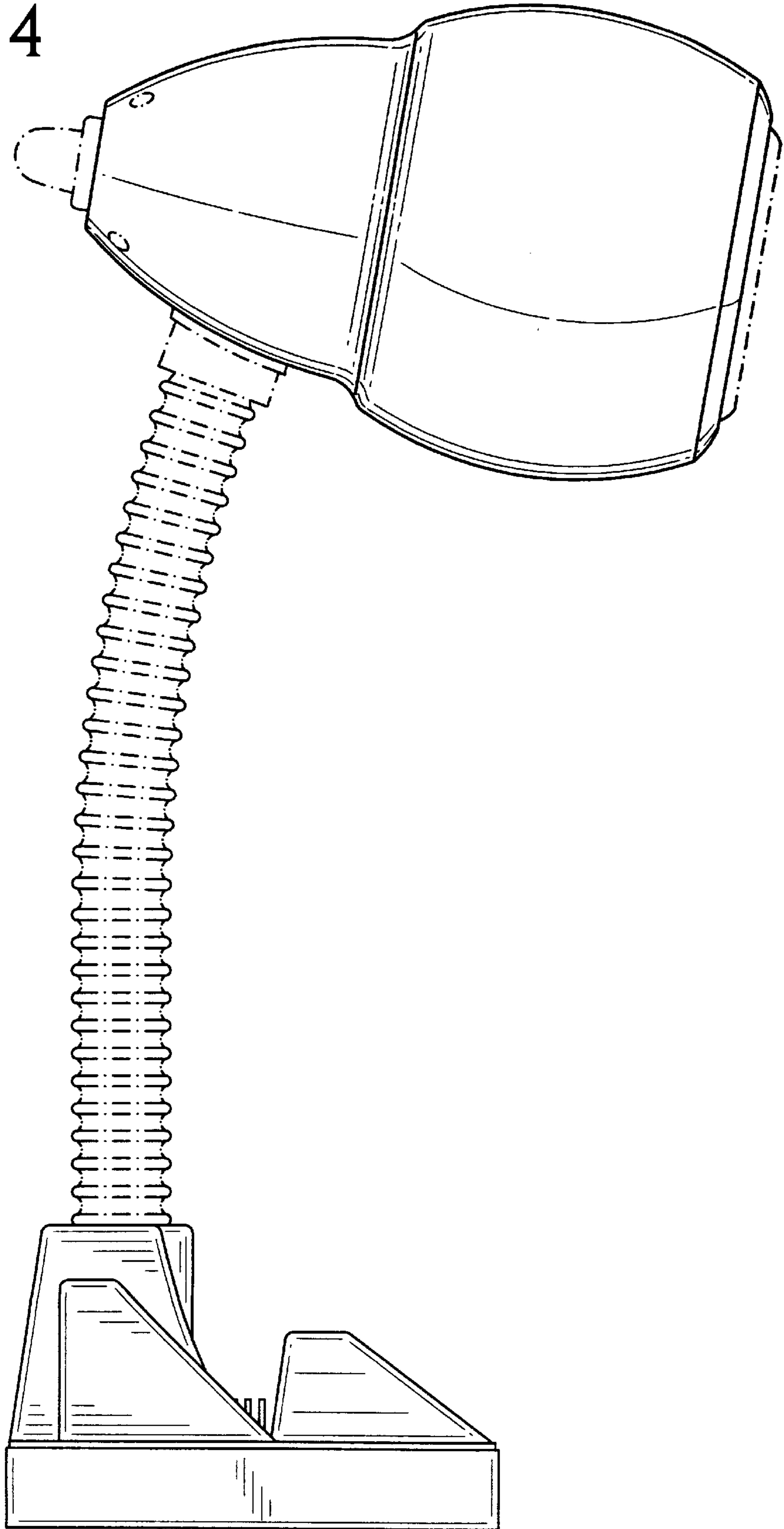


FIG. 5

