



US00D440678S

(12) **United States Design Patent**
Yuen

(10) **Patent No.:** **US D440,678 S**

(45) **Date of Patent:** **** Apr. 17, 2001**

(54) **EMERGENCY WORKING LIGHT**

(75) Inventor: **John Se Kit Yuen**, Kowloon (HK)

(73) Assignee: **John Manufacturing Limited**, Hong Kong (HK)

(**) Term: **14 Years**

(21) Appl. No.: **29/131,988**

(22) Filed: **Oct. 31, 2000**

(51) **LOC (7) Cl.** **26-02**

(52) **U.S. Cl.** **D26/44**

(58) **Field of Search** D26/37-50; 362/157,
362/158, 171, 173, 183-208, 222

(56) **References Cited**

U.S. PATENT DOCUMENTS

| | | | | | |
|------------|---|---------|--------------|-------|--------|
| D. 409,320 | * | 5/1999 | Yuen | | D26/44 |
| D. 409,776 | * | 5/1999 | Rhode et al. | | D26/42 |
| D. 418,238 | * | 12/1999 | Offiler | | D26/42 |

* cited by examiner

Primary Examiner—Marcus A. Jackson
(74) *Attorney, Agent, or Firm*—Jackson Walker, LLP;
Richard R. Ruble

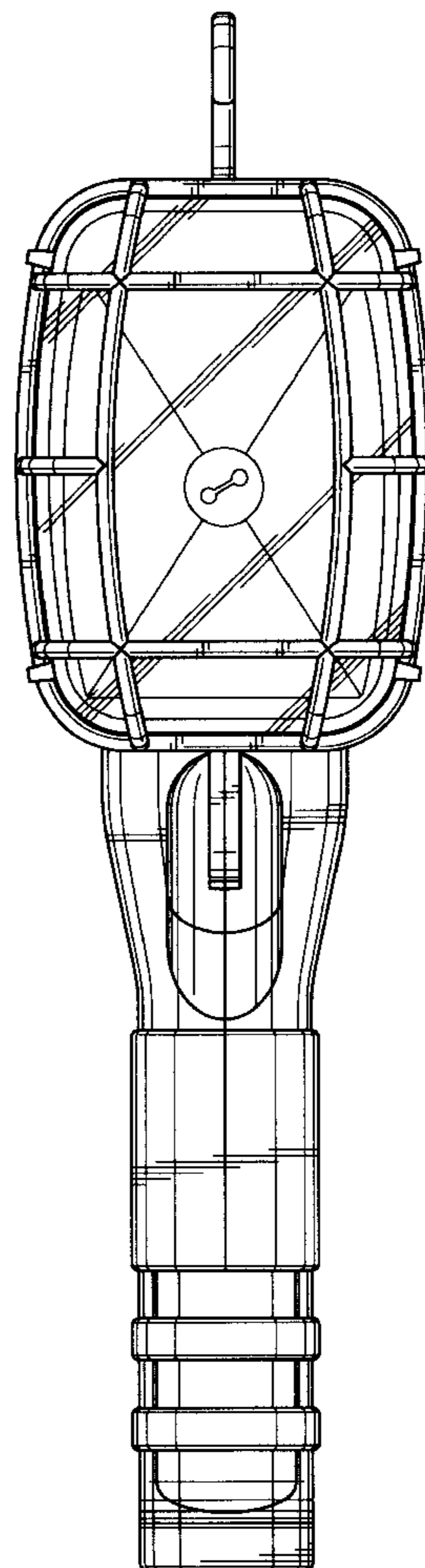
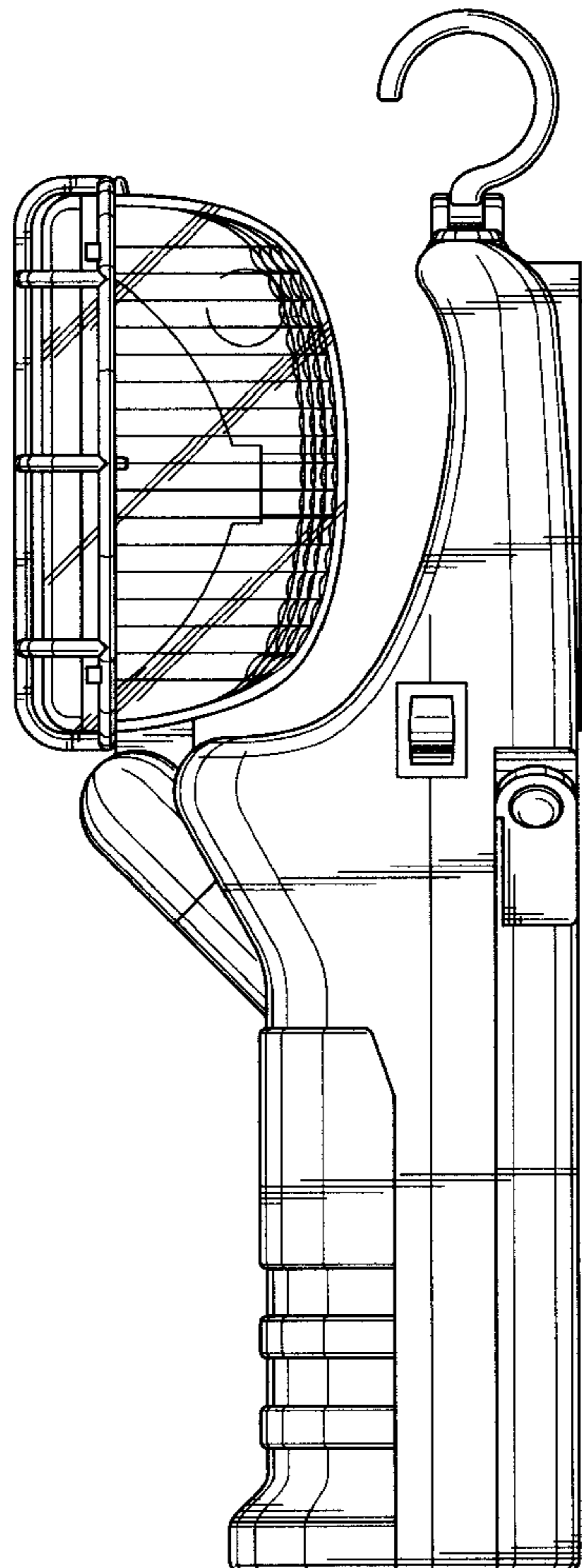
(57) **CLAIM**

The ornamental design of an emergency working light, as shown and described.

DESCRIPTION

FIG. 1 is a left side elevation view with the lighting compartment in the open position.
FIG. 2 is a front elevation view thereof.
FIG. 3 is a rear elevation view thereof.
FIG. 4 is a right side elevation view with the lighting compartment in the open position.
FIG. 5 is a top plan view thereof.
FIG. 6 is a bottom plan view thereof.
FIG. 7 is a top plan view showing the lighting compartment rotated 90° counter clockwise along a vertical axis.
FIG. 8 is a left side elevation view showing the lighting compartment rotated along a horizontal axis; and,
FIG. 9 is a left side elevation view showing a fully unfolded position.

1 Claim, 5 Drawing Sheets



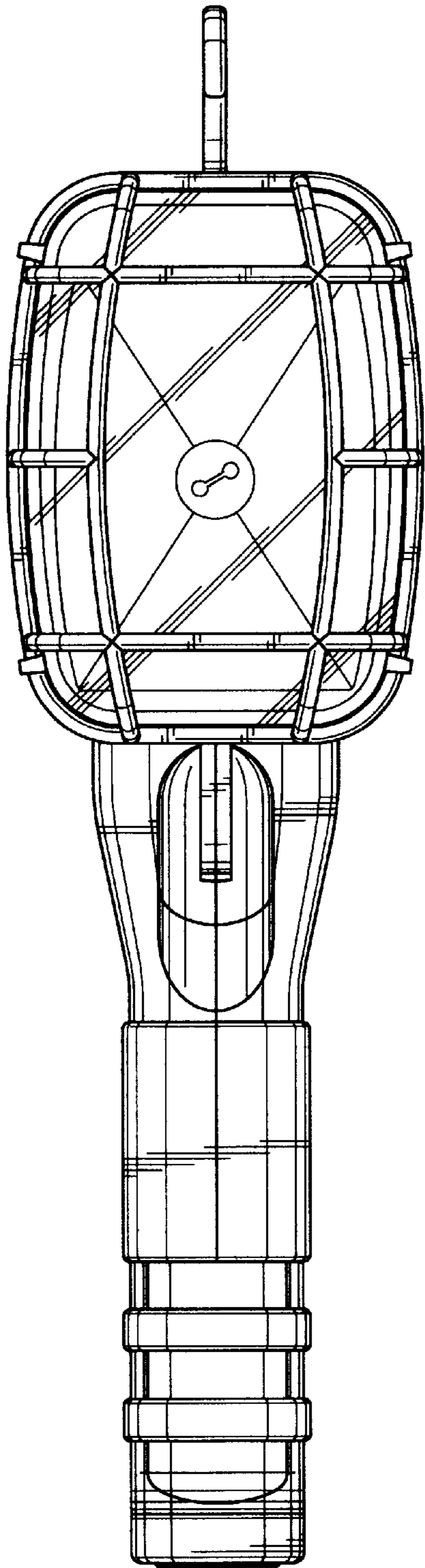


FIG. 2

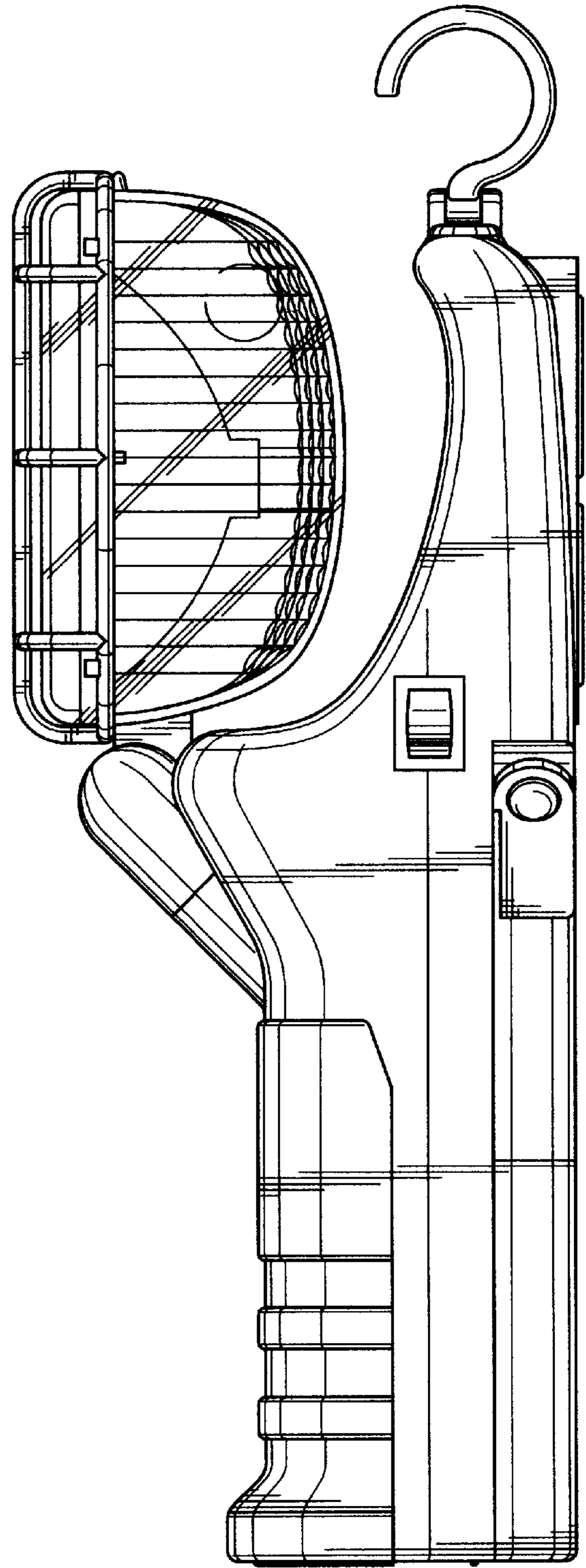


FIG. 1

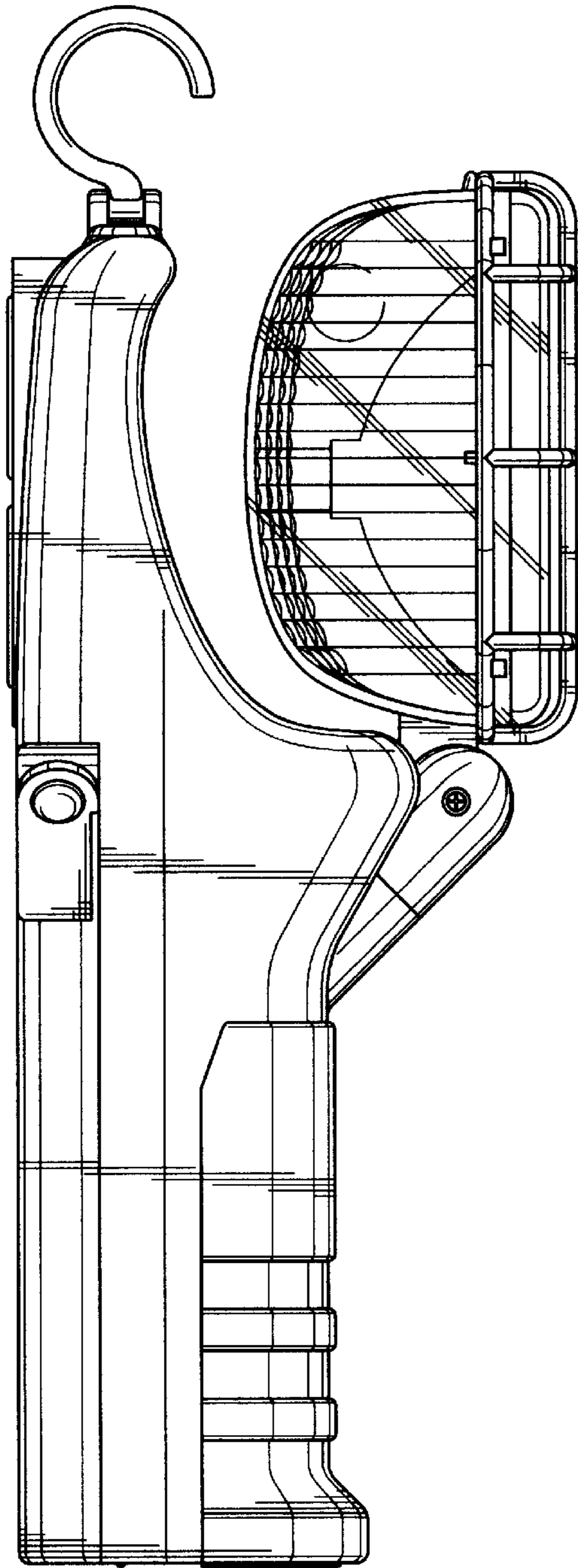


FIG. 4

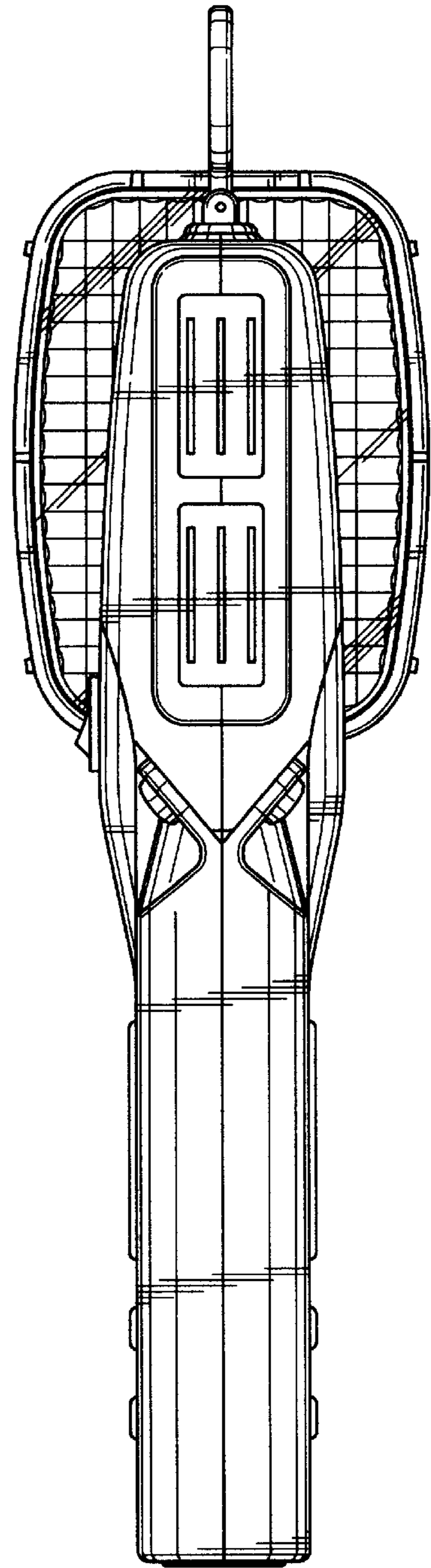


FIG. 3

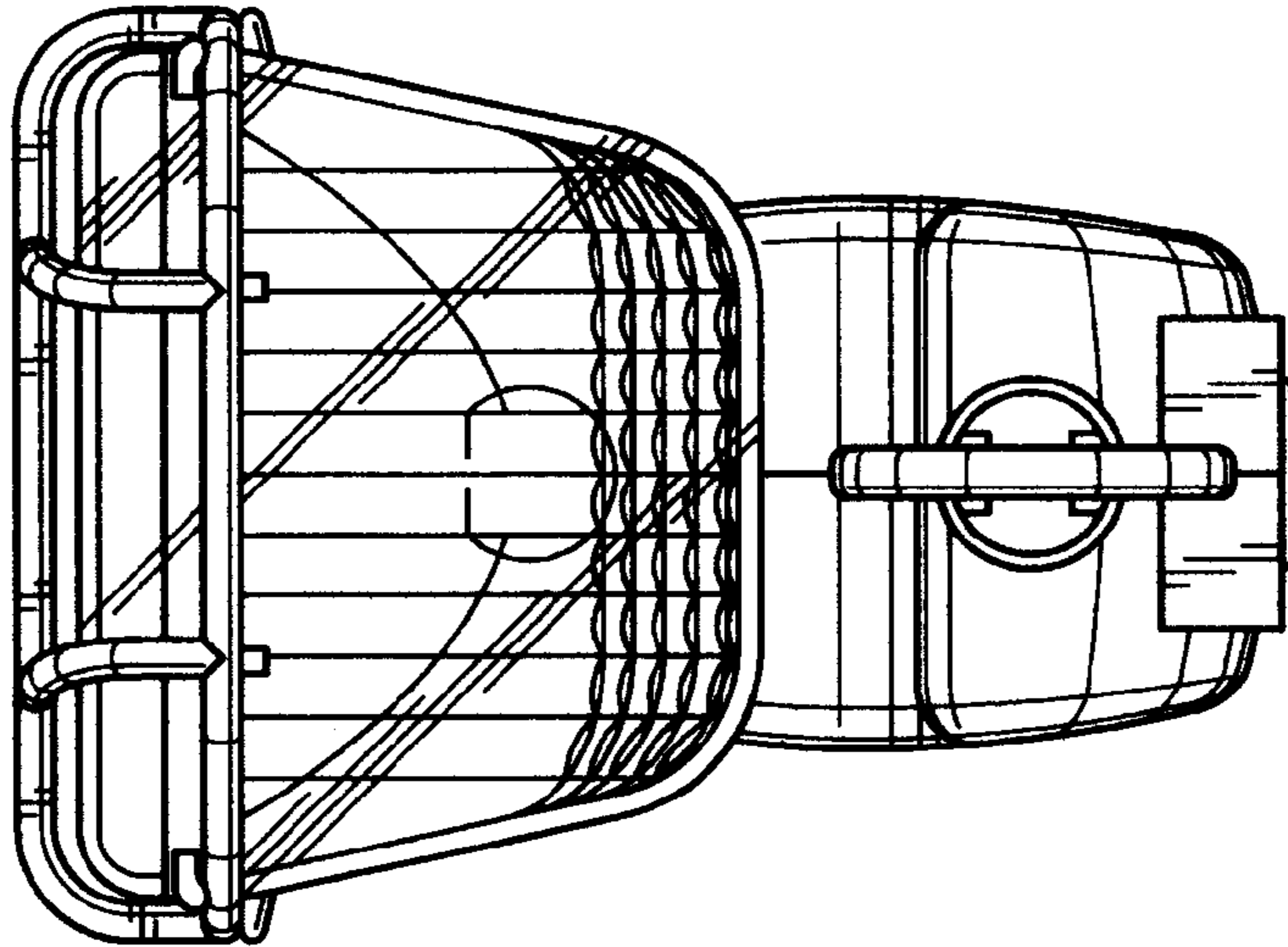


FIG. 5

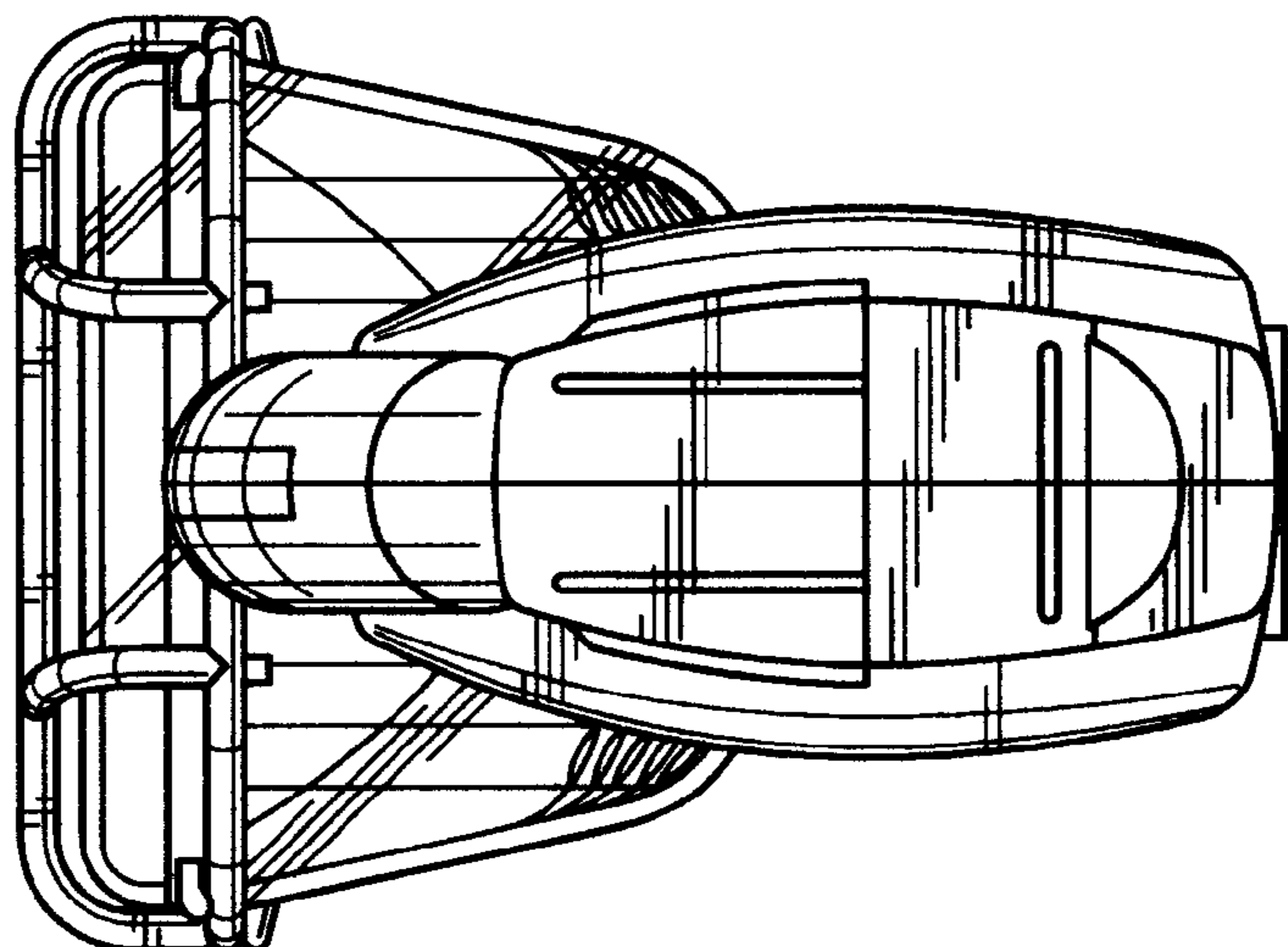


FIG. 6

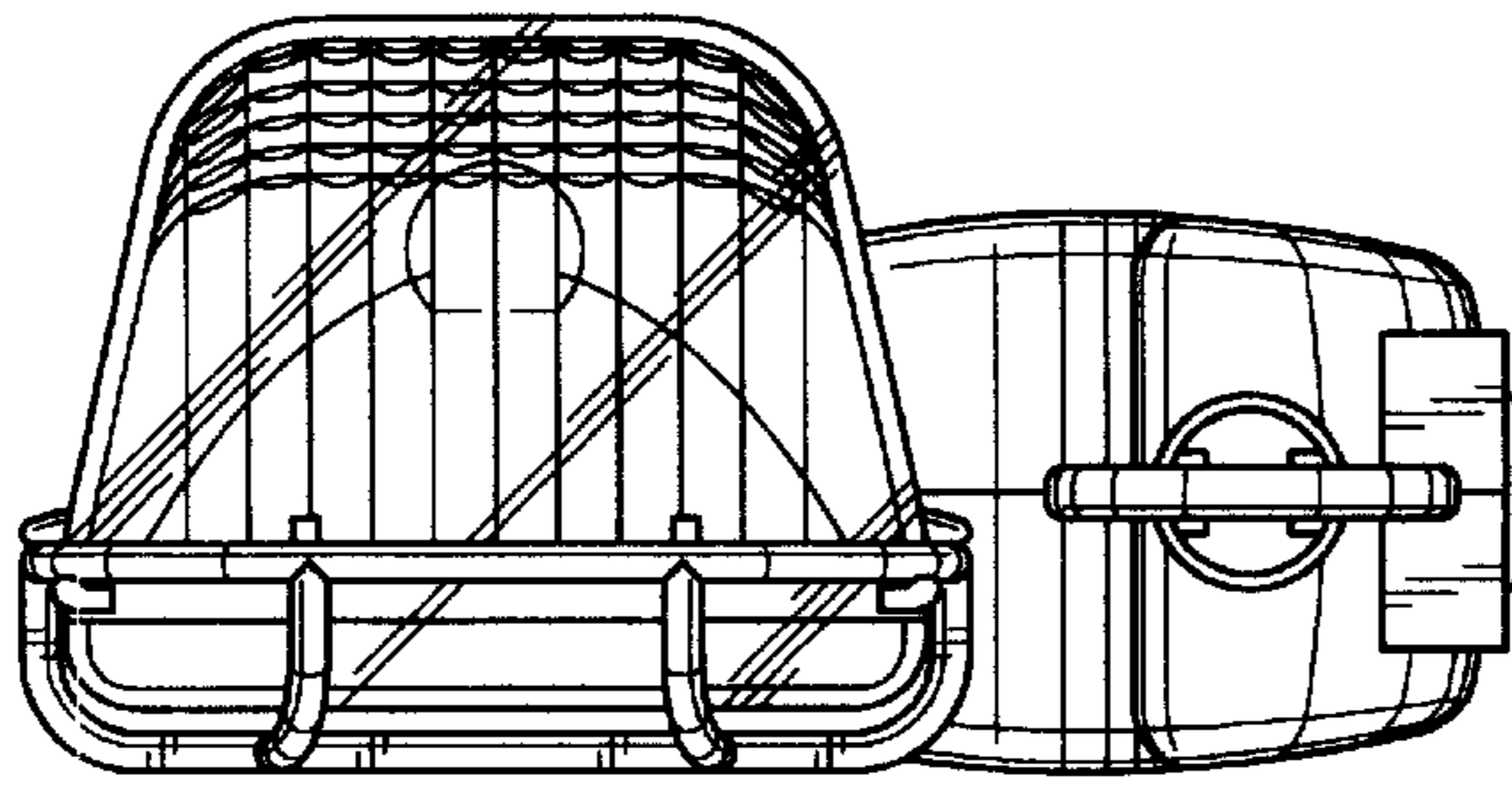


FIG. 7

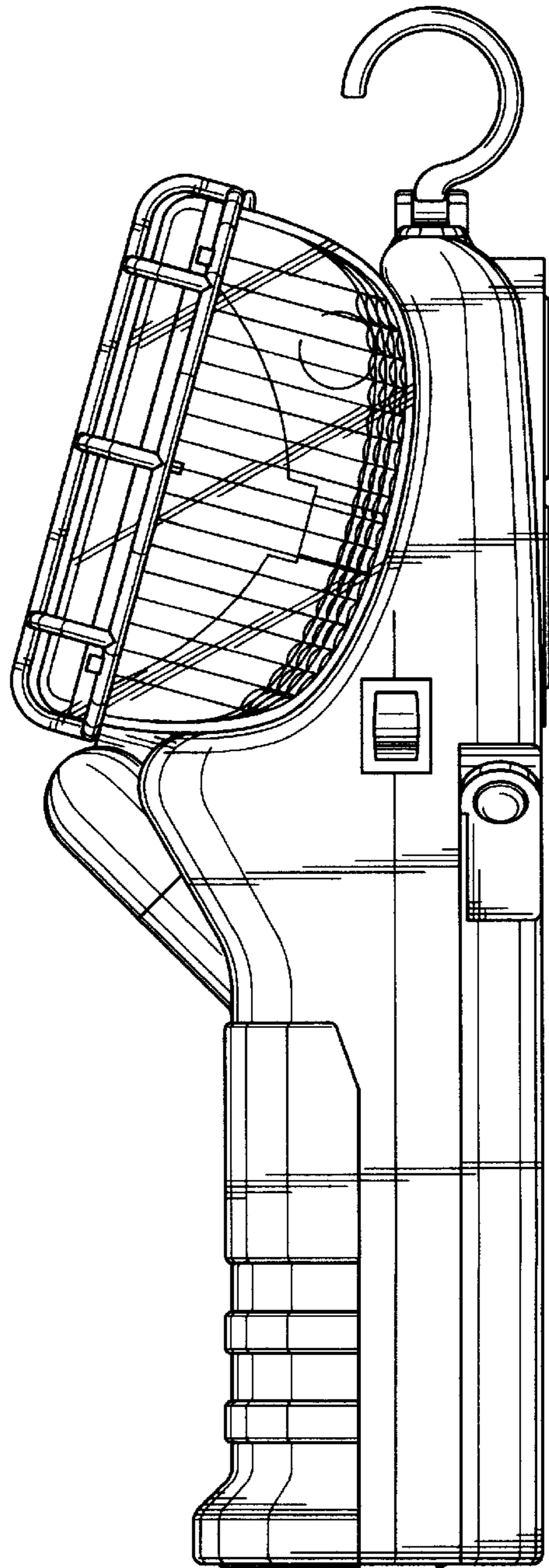


FIG. 8

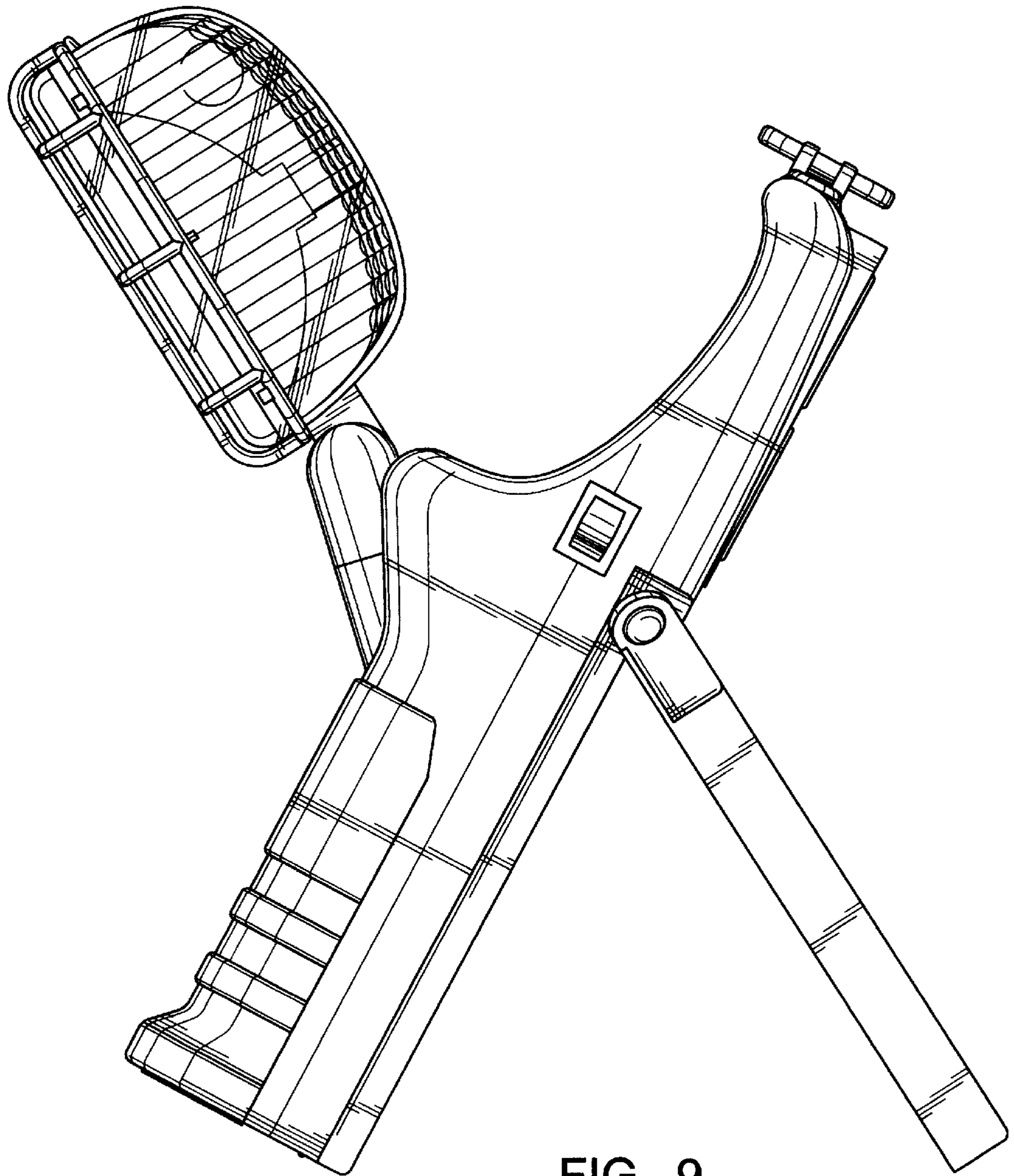


FIG. 9