



US00D440675S

(12) **United States Design Patent**
Okuda

(10) **Patent No.:** **US D440,675 S**

(45) **Date of Patent:** **** Apr. 17, 2001**

(54) **HEADLAMP FOR BICYCLE**

(75) Inventor: **Yoji Okuda, Tondabayashi (JP)**

(73) Assignee: **Cateye Co., Ltd., Osaka (JP)**

(**) Term: **14 Years**

(21) Appl. No.: **29/129,731**

(22) Filed: **Sep. 20, 2000**

(30) **Foreign Application Priority Data**

Apr. 5, 2000 (JP) 12-008791

(51) **LOC (7) Cl.** **26-06**

(52) **U.S. Cl.** **D26/28**

(58) **Field of Search** D26/28-36; 362/157,
362/158, 171, 183-208

(56) **References Cited**

U.S. PATENT DOCUMENTS

D. 382,356 * 8/1997 Okuda et al. D26/28

D. 406,369 * 3/1999 Dalton et al. D26/28

D. 407,835 * 4/1999 Okuda D26/28

* cited by examiner

Primary Examiner—Marcus A. Jackson

(74) *Attorney, Agent, or Firm*—Olson & Hierl, Ltd.

(57) **CLAIM**

The ornamental design for a headlamp for bicycle, as shown and described.

DESCRIPTION

FIG. 1 is a front view of a headlamp for bicycle showing my new design;

FIG. 2 is a rear view thereof;

FIG. 3 is a top plan view thereof;

FIG. 4 is a bottom plan view thereof;

FIG. 5 is a right side view thereof; and,

FIG. 6 is a perspective view thereof.

1 Claim, 2 Drawing Sheets

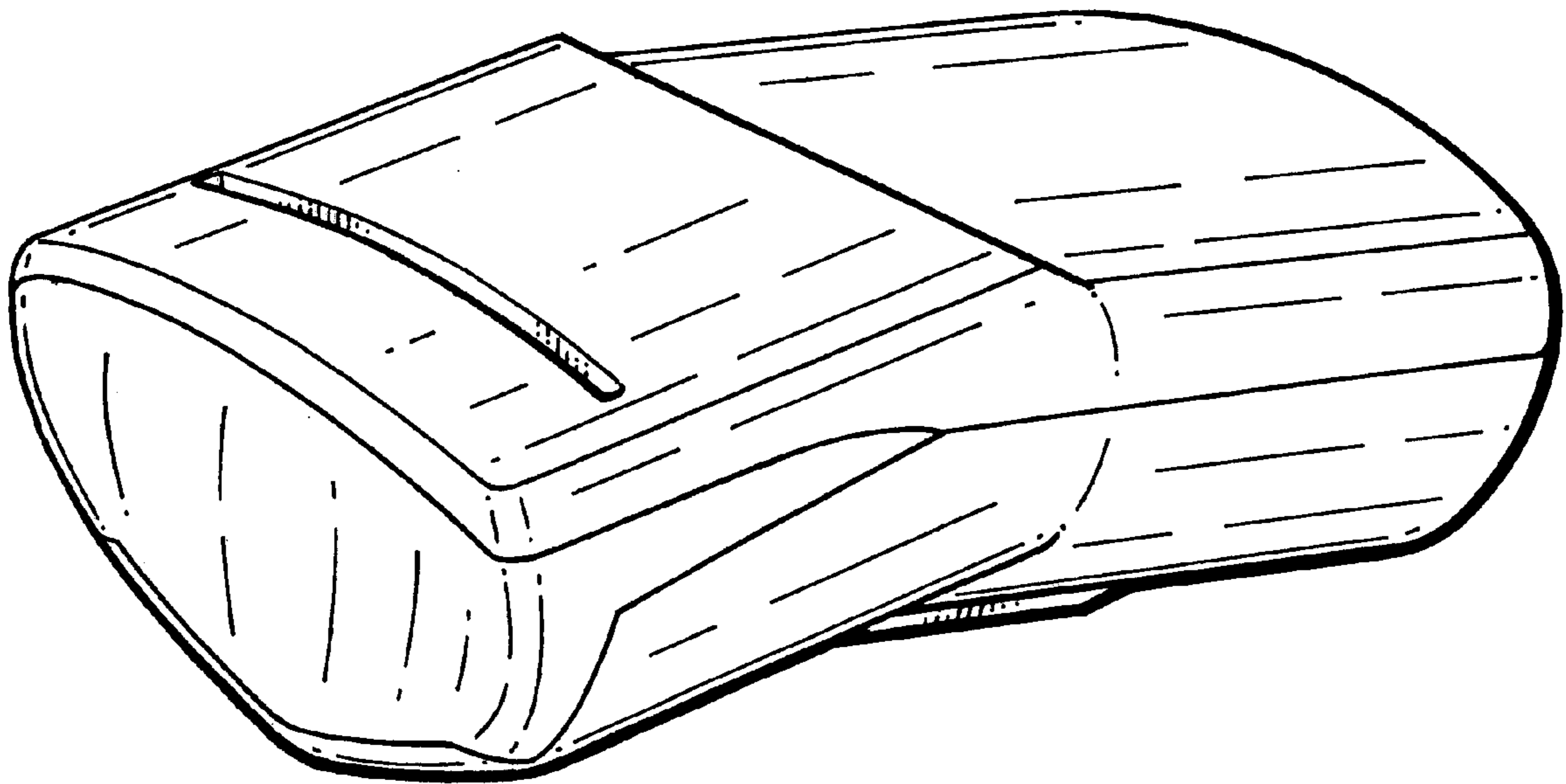


FIG. 1

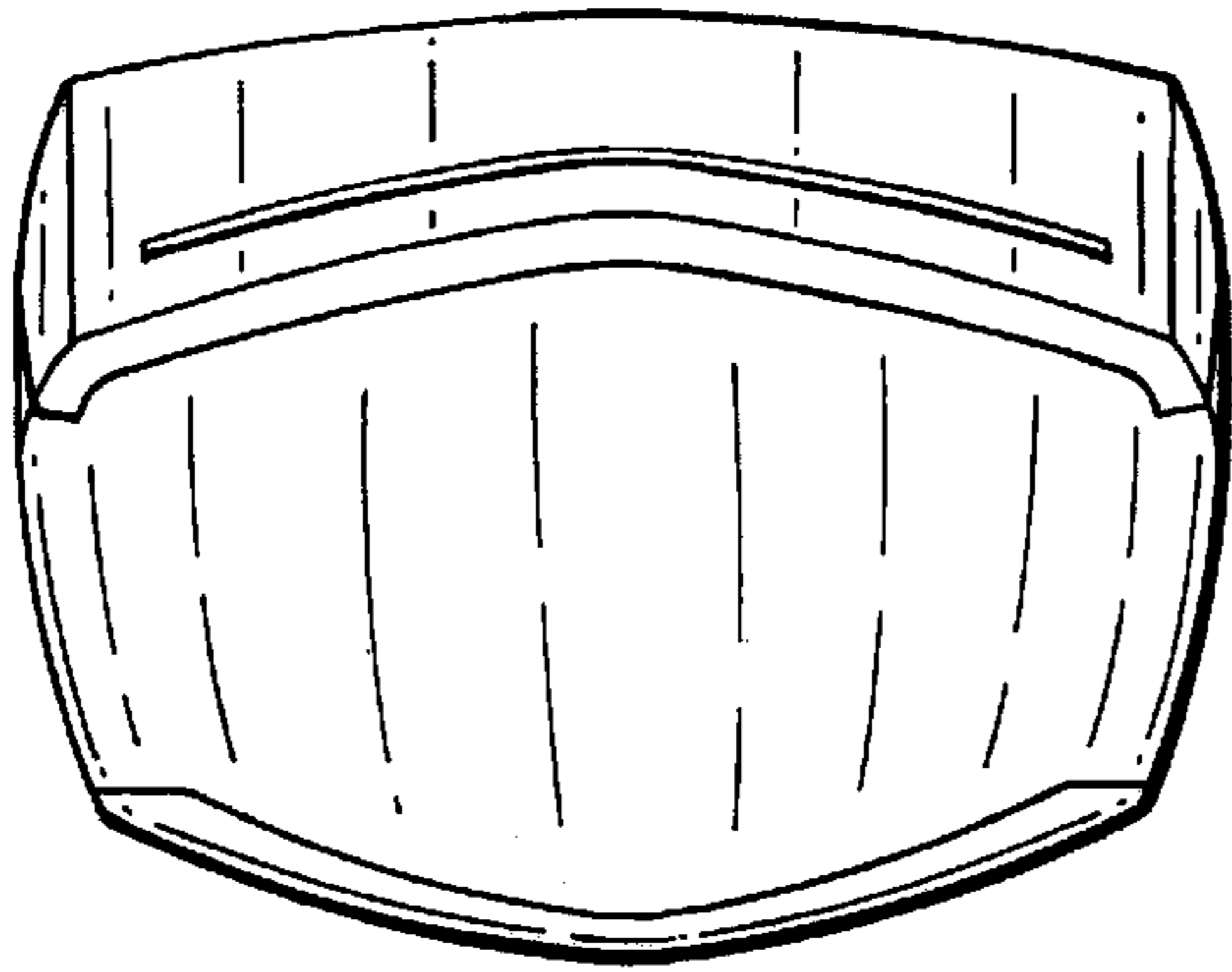


FIG. 2

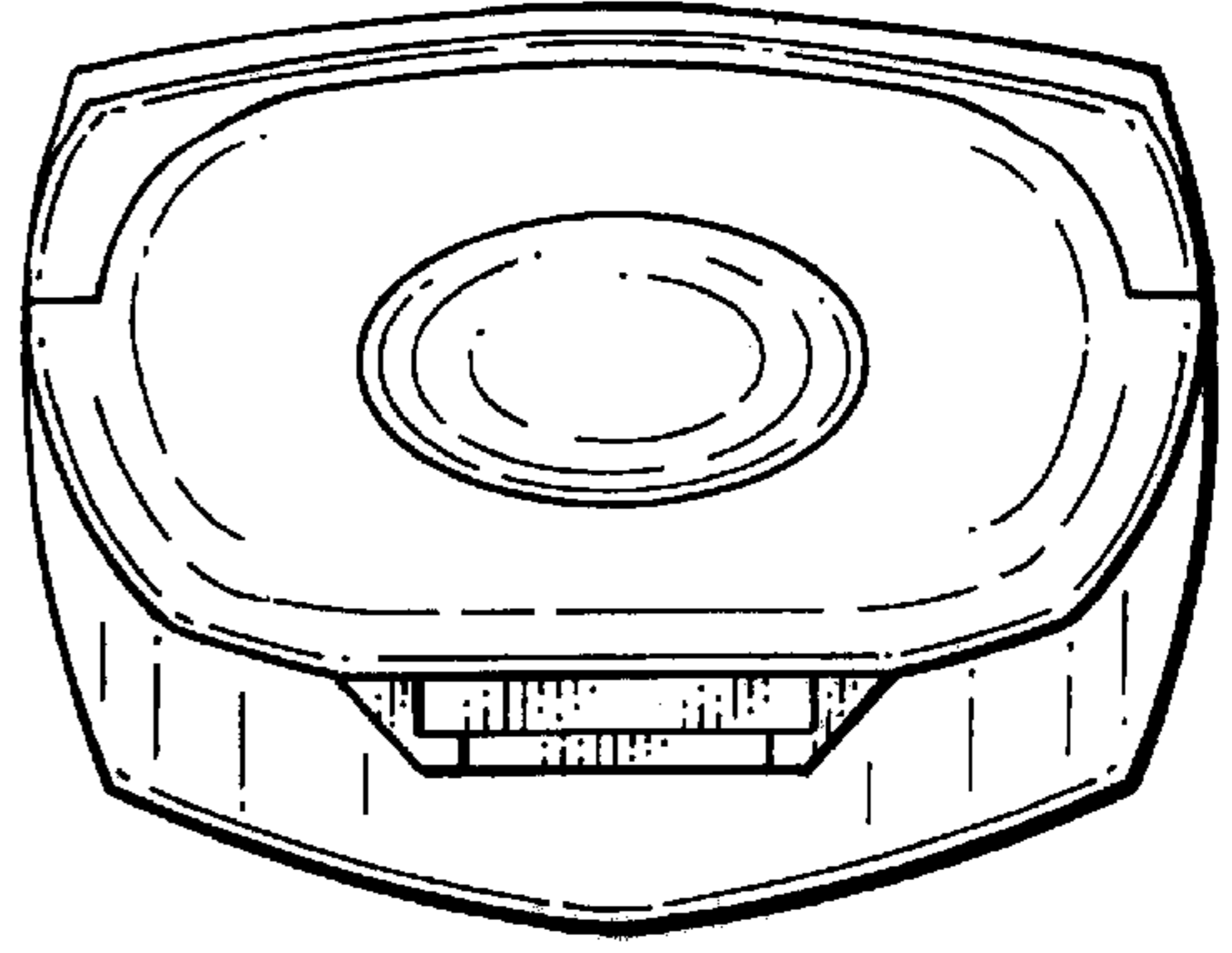


FIG. 3

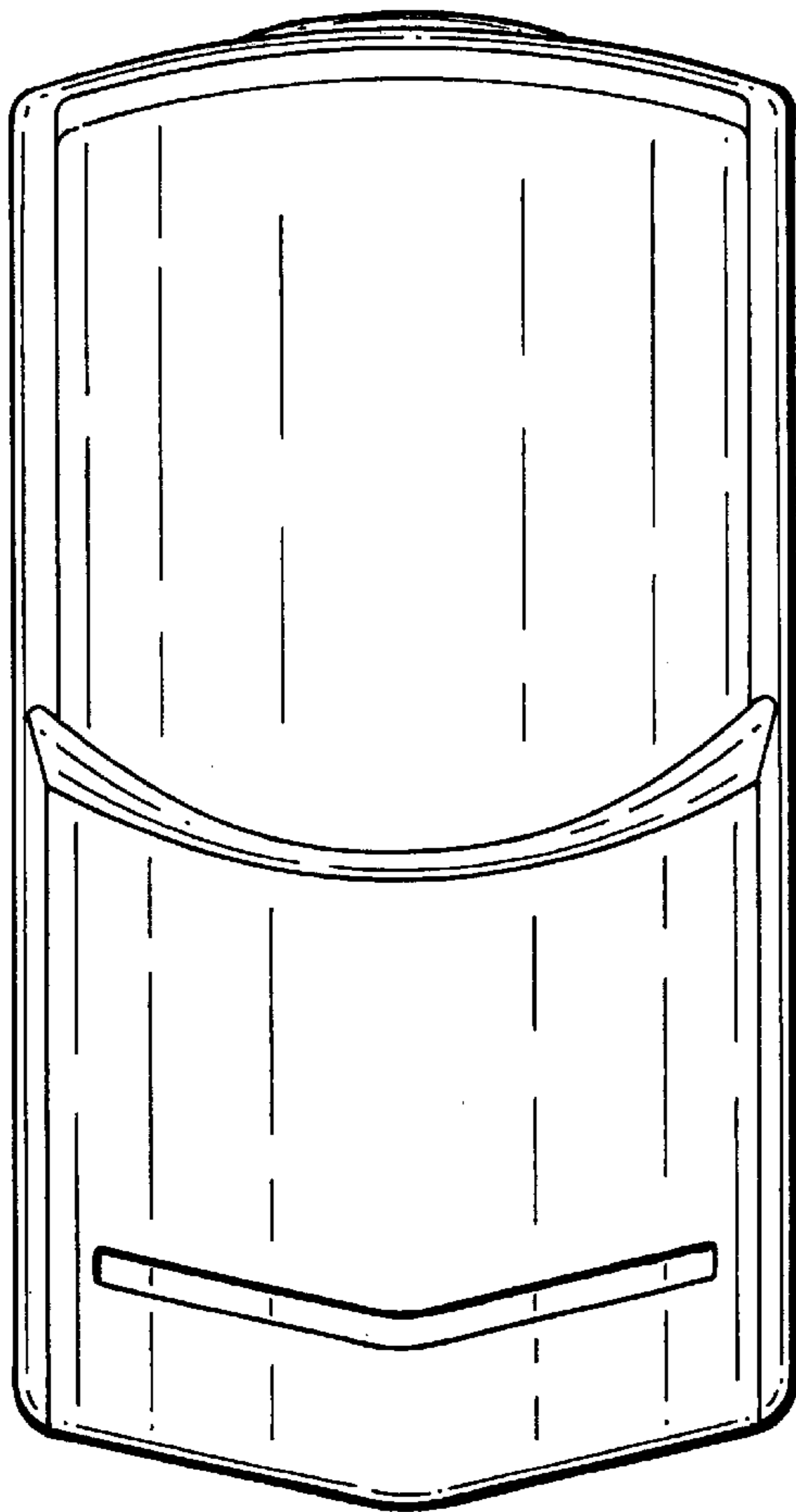


FIG. 4

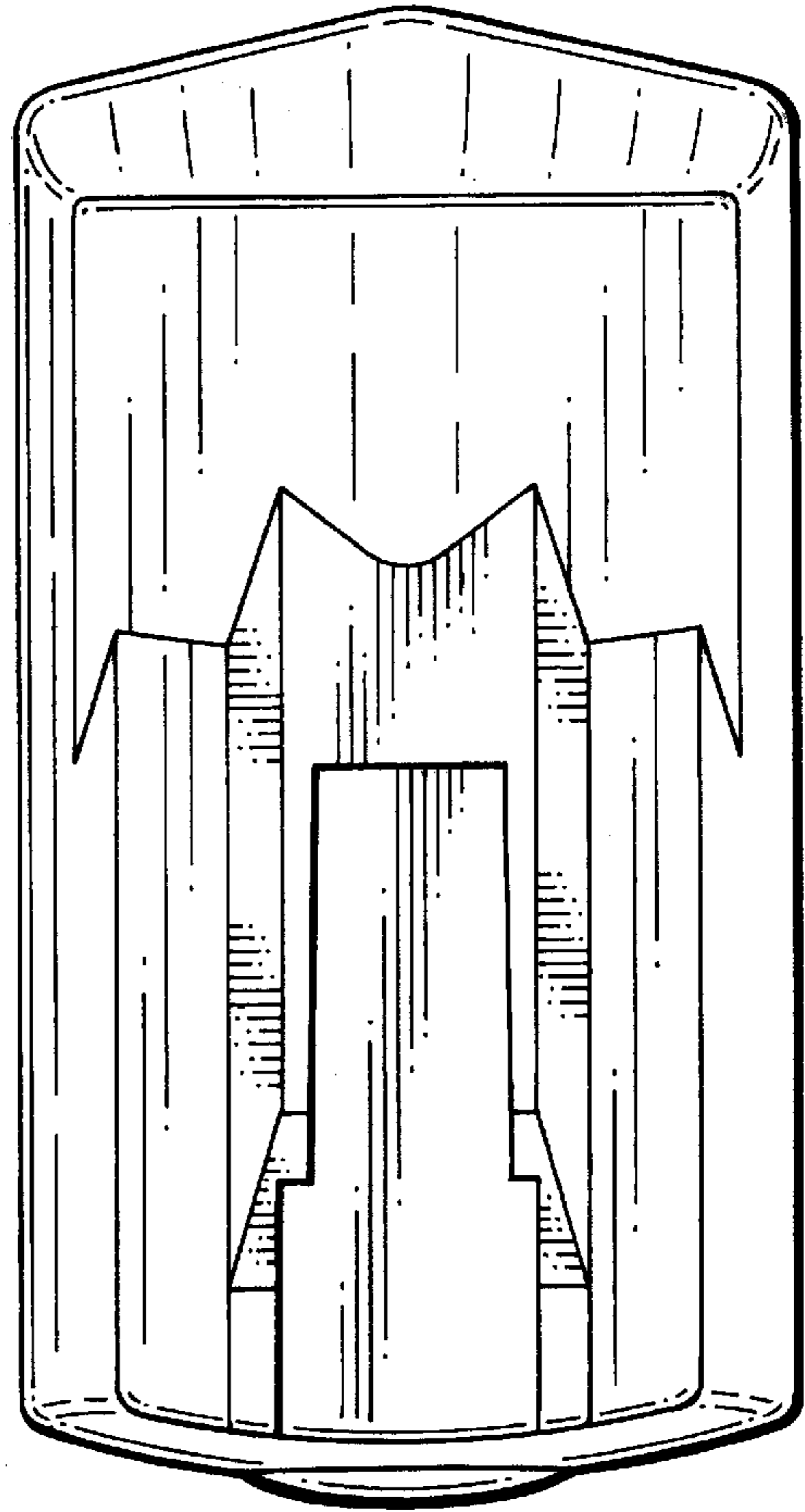


FIG. 5

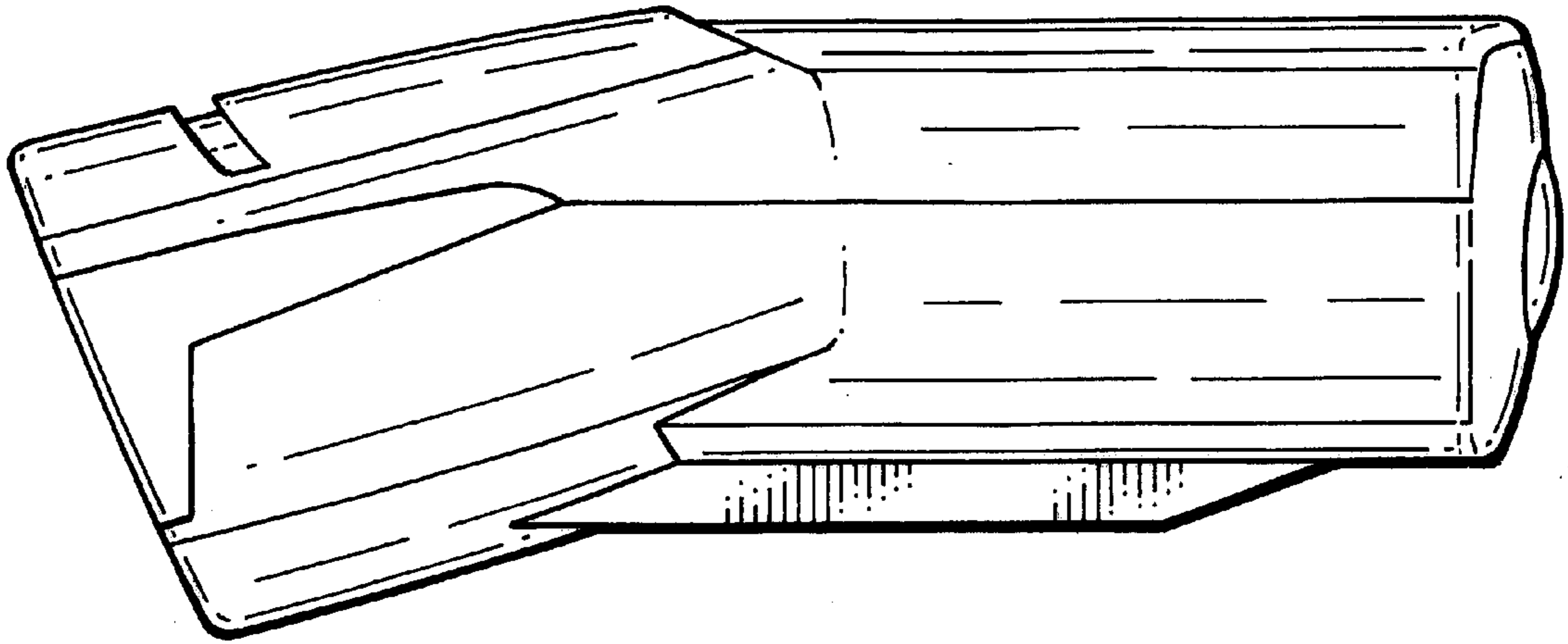


FIG. 6

