



US00D440674S

(12) **United States Design Patent**
Nichols

(10) **Patent No.:** **US D440,674 S**

(45) **Date of Patent:** **** Apr. 17, 2001**

(54) **DECORATIVE LIGHT STRING**

Primary Examiner—Cynthia E Ramirez

(76) Inventor: **Janet L Nichols**, P.O. Box 387, Fayette City, PA (US) 15438

(57) **CLAIM**

(**) Term: **14 Years**

The ornamental design for a decorative light string, as shown and described.

(21) Appl. No.: **29/119,898**

DESCRIPTION

(22) Filed: **Mar. 10, 2000**

(51) **LOC (7) Cl.** **26-04**

FIG. 1 is a front elevational view of the decorative light string of the present invention;

(52) **U.S. Cl.** **D26/25**

FIG. 2 is a rear elevational view of the decorative light string of FIG. 1;

(58) **Field of Search** D26/25, 24, 73, D26/97; 362/806, 800, 811, 240, 249, 250, 252; D11/112, 138, 163

FIG. 3 is a left side elevational view of the decorative light string of FIG. 1;

(56) **References Cited**

U.S. PATENT DOCUMENTS

- D. 337,836 * 7/1993 Johnson D26/25
- D. 374,293 * 10/1996 Streger et al. D26/25
- D. 411,319 * 6/1999 Baker D26/25

FIG. 4 is a right side elevational view of the decorative light string of FIG. 1;

OTHER PUBLICATIONS

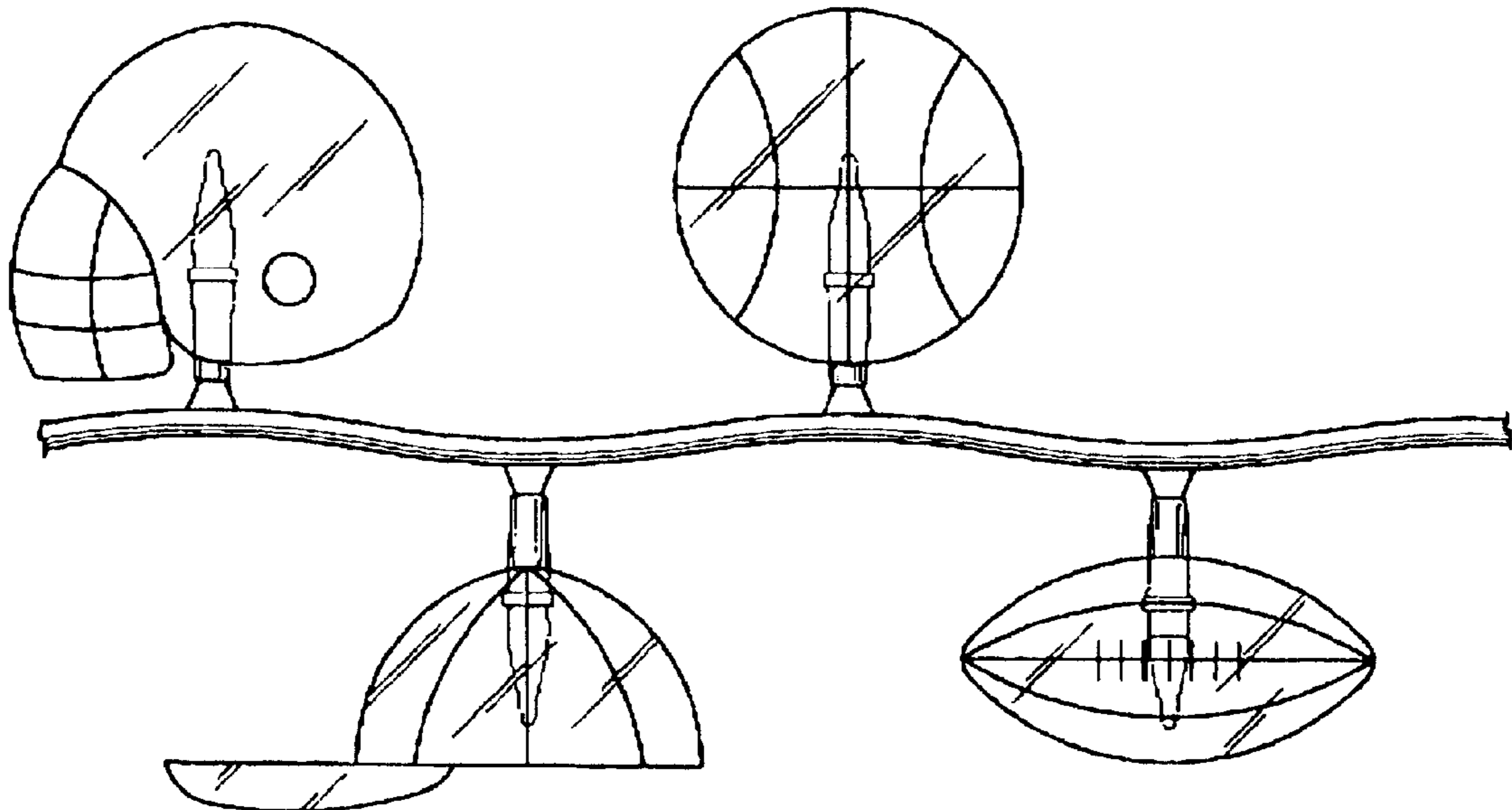
The Coast Connection Recreational Vehicle parts & acc Catalog, p. 106, Jun. 1986.*

FIG. 5 is a top plan view of the decorative light string of FIG. 1; and,

FIG. 6 is a bottom plan view of the decorative light string of FIG. 1.

* cited by examiner

1 Claim, 3 Drawing Sheets



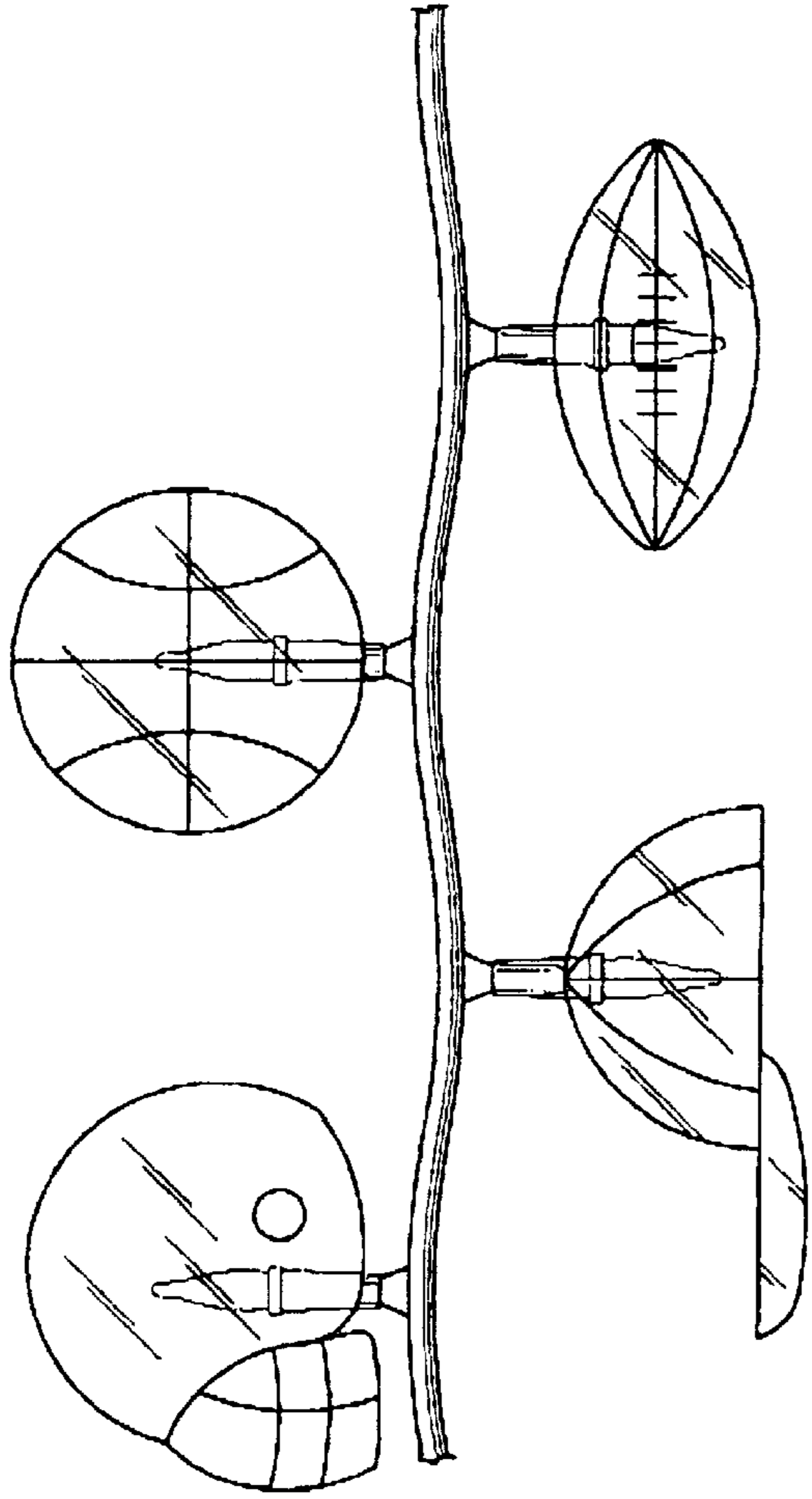


FIG. 1

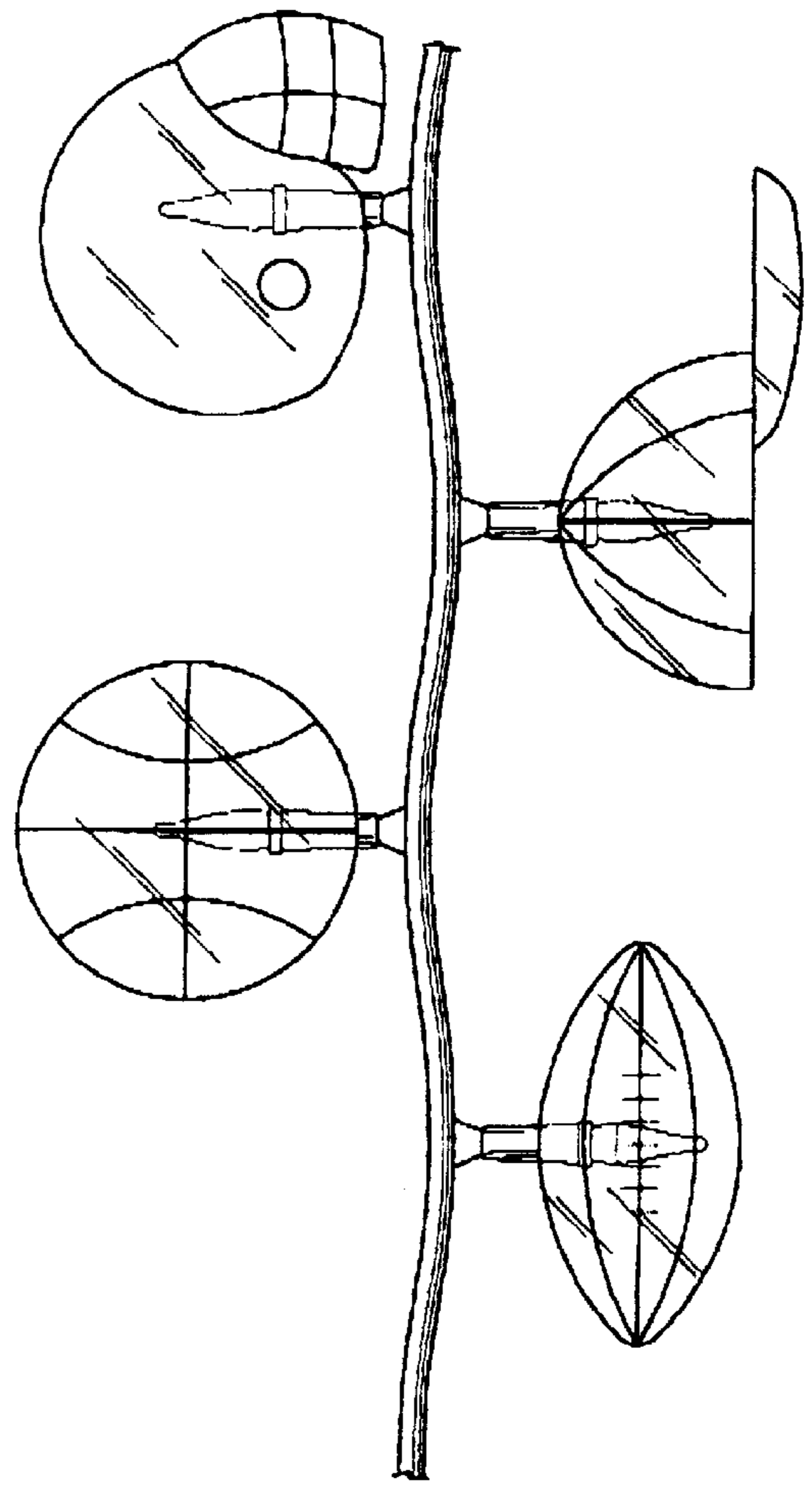


FIG. 2

FIG. 3

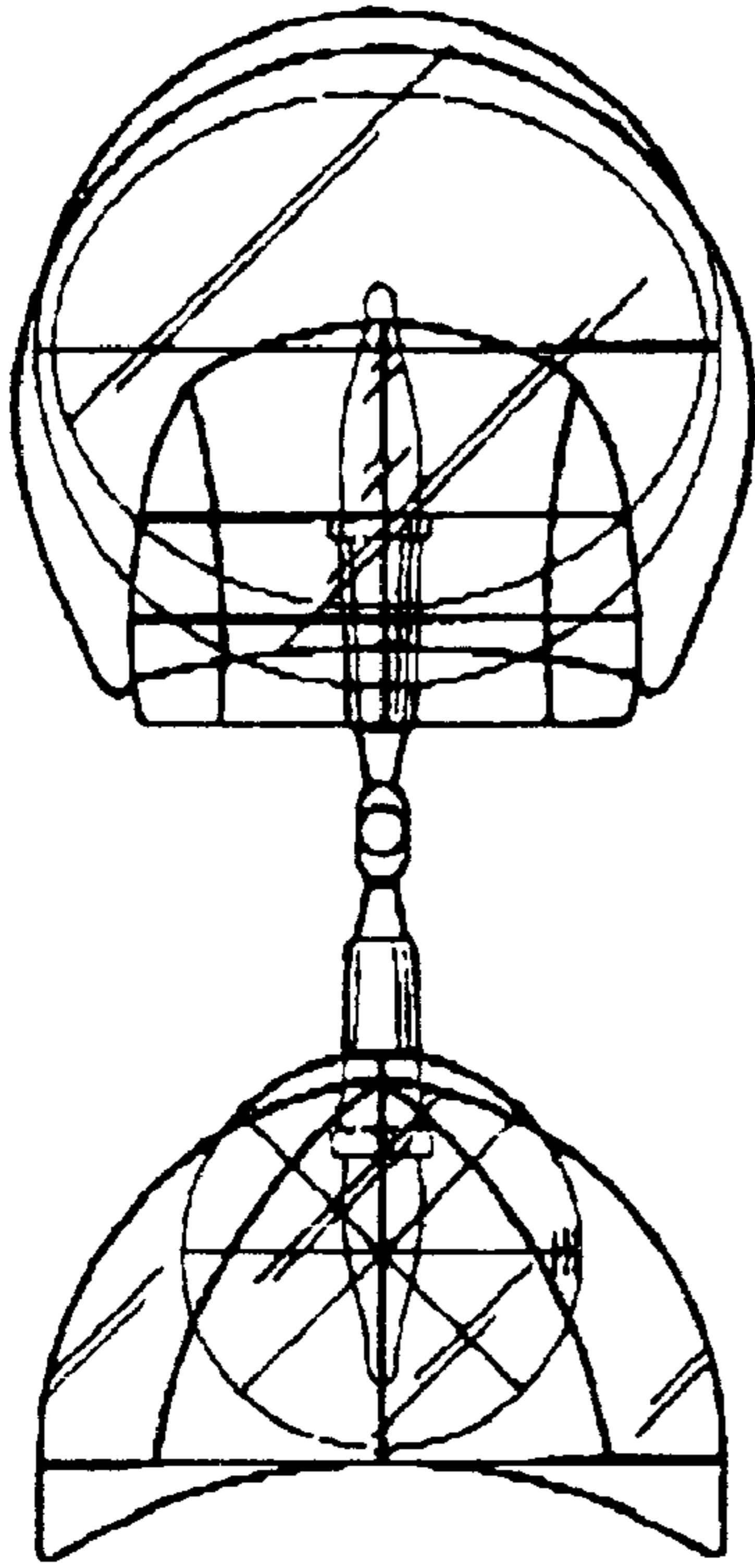


FIG. 4

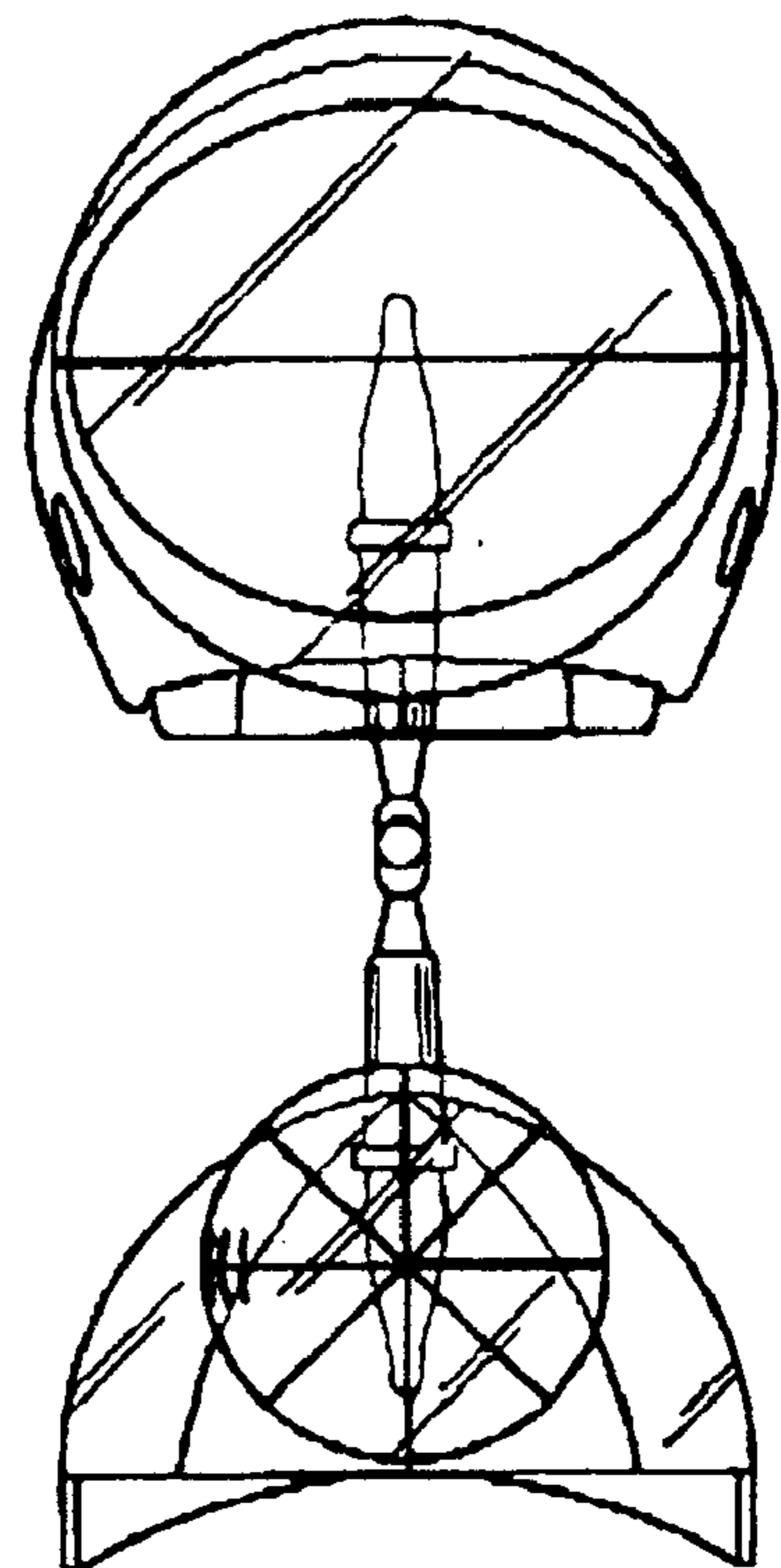


FIG. 5

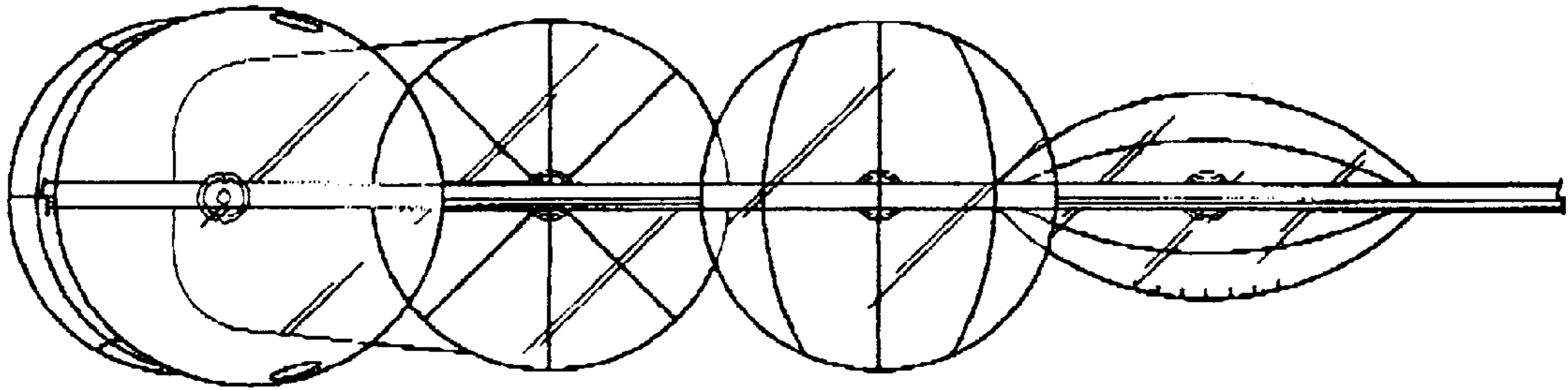


FIG. 6

