



US00D440673S

(12) **United States Design Patent**  
**Handsaker**

(10) **Patent No.:** **US D440,673 S**

(45) **Date of Patent:** **\*\* Apr. 17, 2001**

(54) **LIGHT FIXTURE**

(75) **Inventor:** **Jerrold L. Handsaker**, Algona, IA  
(US)

(73) **Assignee:** **Innovative Lighting, Inc.**, Algona, IA  
(US)

(\*\*) **Term:** **14 Years**

(21) **Appl. No.:** **29/118,363**

(22) **Filed:** **Feb. 7, 2000**

(51) **LOC (7) Cl.** ..... **26-05**

(52) **U.S. Cl.** ..... **D26/24**

(58) **Field of Search** ..... D26/24, 25, 35,  
D26/61, 62, 63, 64, 65, 66; 362/427, 287,  
418, 397

(56) **References Cited**

**U.S. PATENT DOCUMENTS**

D. 109,426	*	4/1938	Sauer	.....	D26/35
D. 128,284	*	7/1941	Herr	.....	D26/24
D. 190,517	*	6/1961	Schwartz	.....	D26/24
D. 199,539	*	11/1964	Cook	.....	D26/24
D. 213,903	*	4/1969	Ross	.....	D26/24
D. 228,416	*	9/1973	Heinrich	.....	D26/24
D. 283,552	*	4/1986	Brillo et al.	.....	D26/24

D. 291,602	*	8/1987	Decanay	.....	D26/24
D. 302,594	*	8/1989	Charet et al.	.....	D26/63
D. 312,136	*	11/1990	Miletich et al.	.....	D26/24
D. 320,462	*	10/1991	Williams et al.	.....	D26/24
D. 326,924	*	6/1992	Carroll	.....	D26/35
D. 347,078	*	5/1994	Lyons et al.	.....	D26/35
D. 347,903	*	6/1994	Paffrath	.....	D26/35
5,023,765	*	6/1991	Barton	.....	362/287 X

\* cited by examiner

*Primary Examiner*—Cynthia E Ramirez

(74) *Attorney, Agent, or Firm*—Zarley, McKee, Thomte,  
Voorhees & Sease

(57) **CLAIM**

I claim the ornamental design for a light fixture, as substantially shown and described.

**DESCRIPTION**

FIG. 1 is a front perspective view of a light fixture showing my new design.

FIG. 2 is a top plan view thereof.

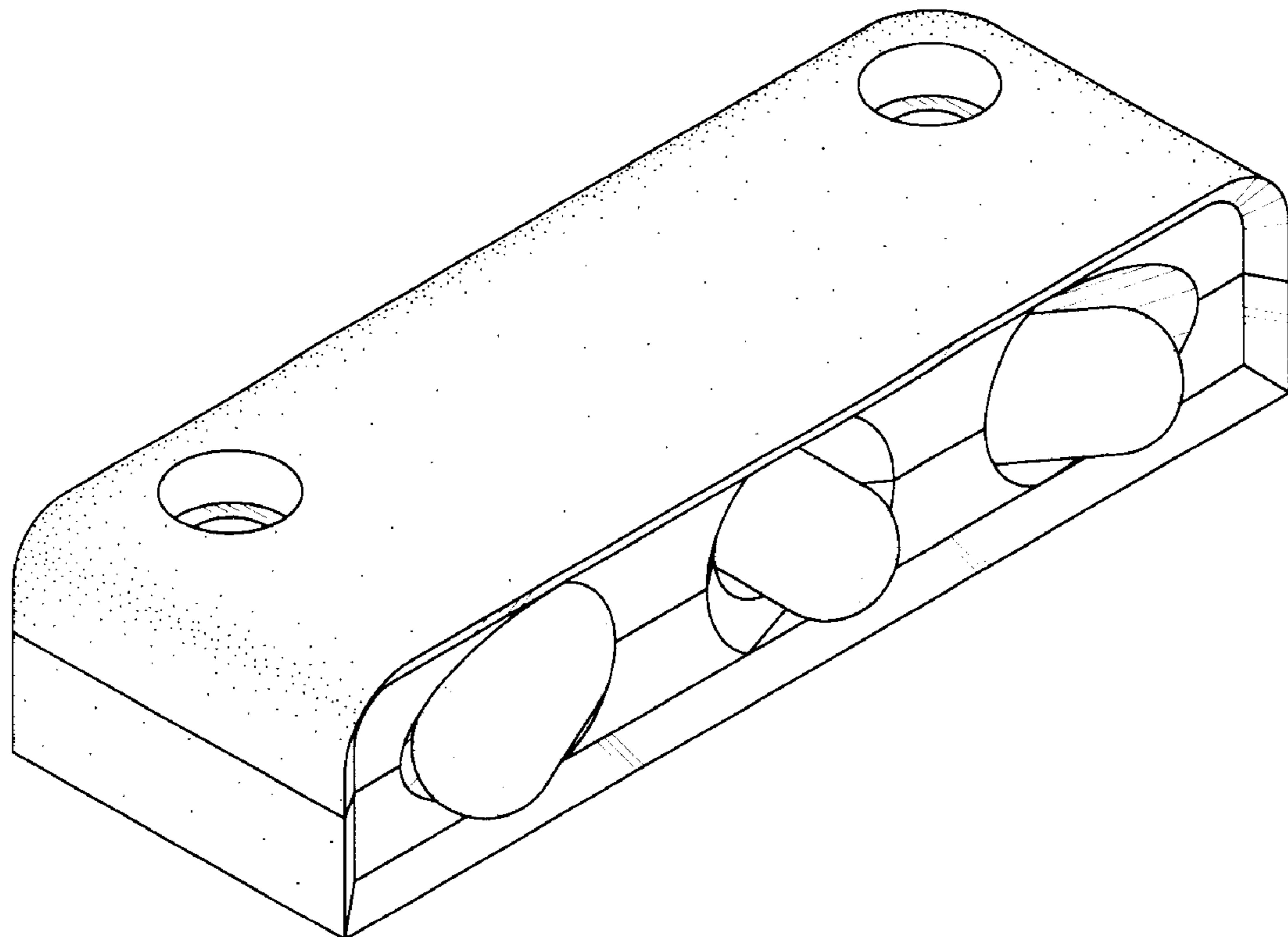
FIG. 3 is a bottom plan view thereof.

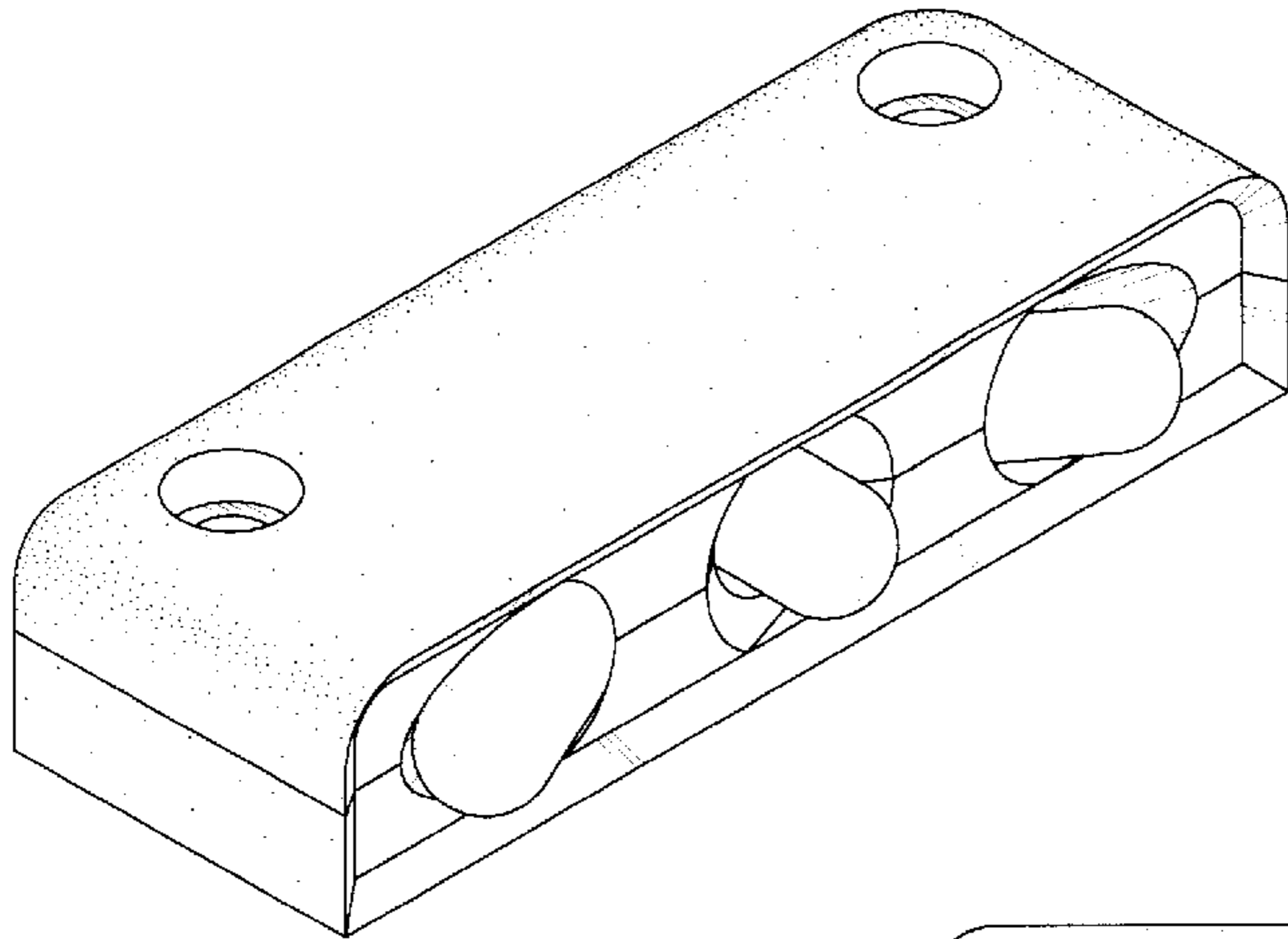
FIG. 4 is a front elevational view thereof.

FIG. 5 is a rear elevational view thereof.

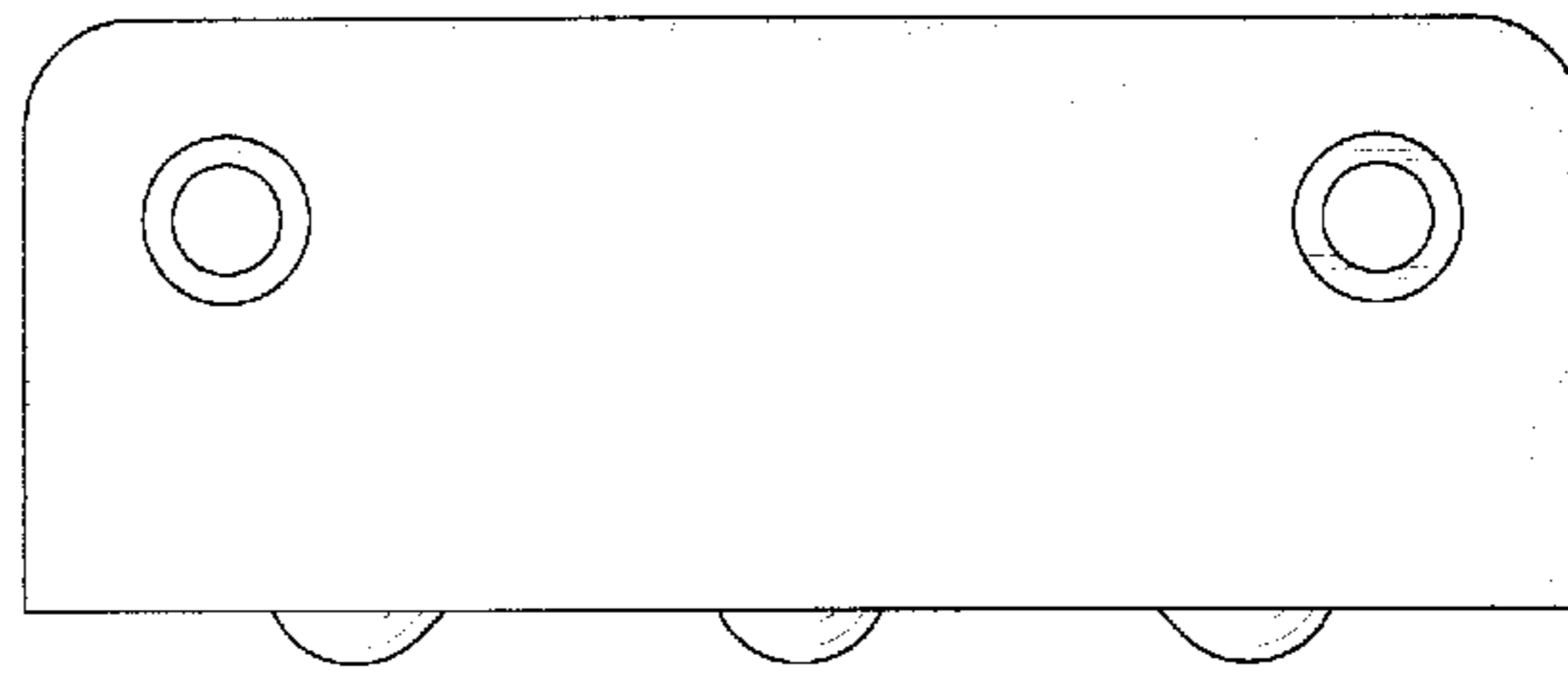
FIG. 6 is an end elevational view with the opposite end being a mirror image thereof.

**1 Claim, 1 Drawing Sheet**

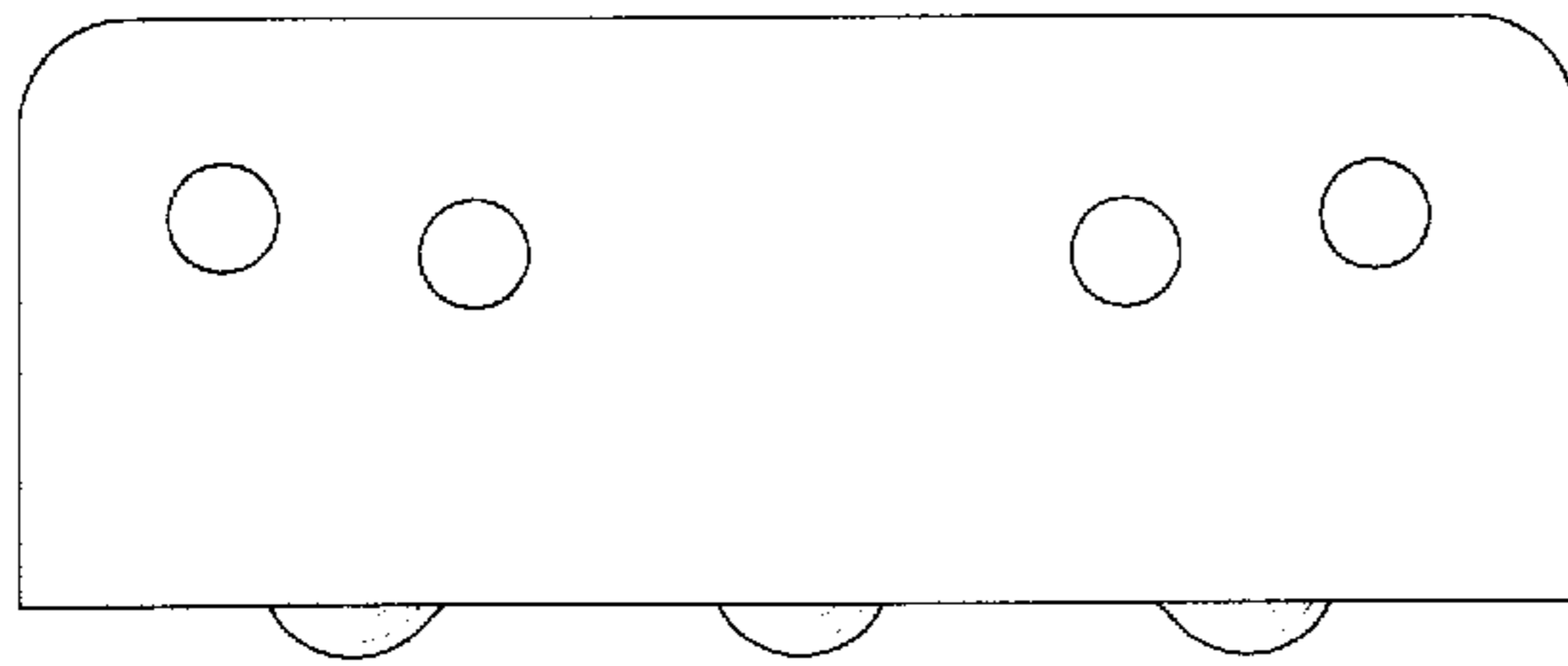




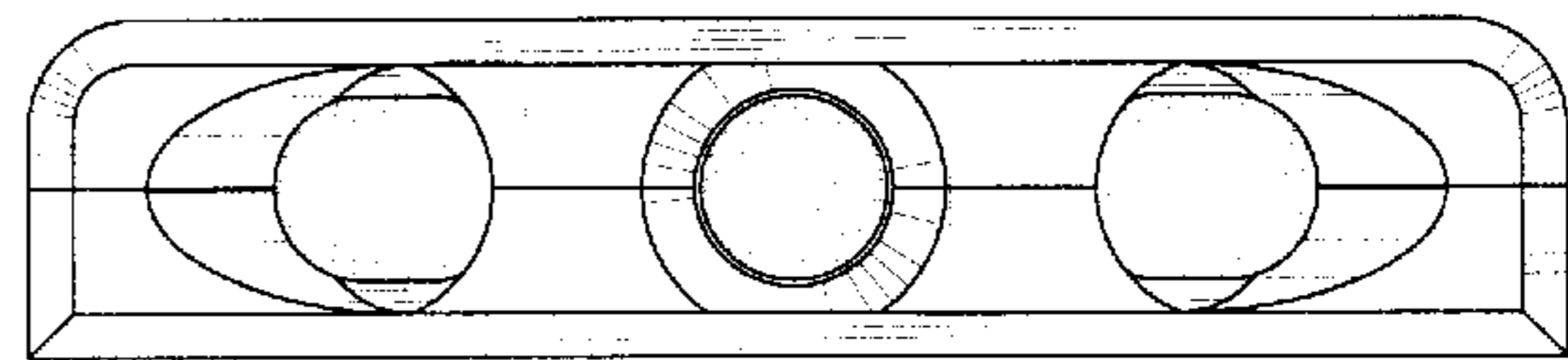
*Fig. 1*



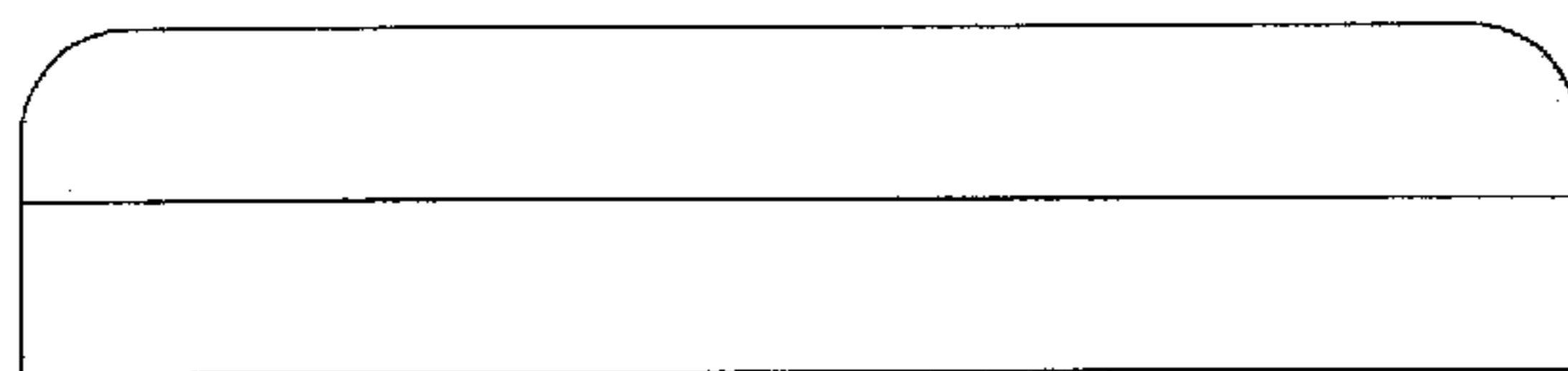
*Fig. 2*



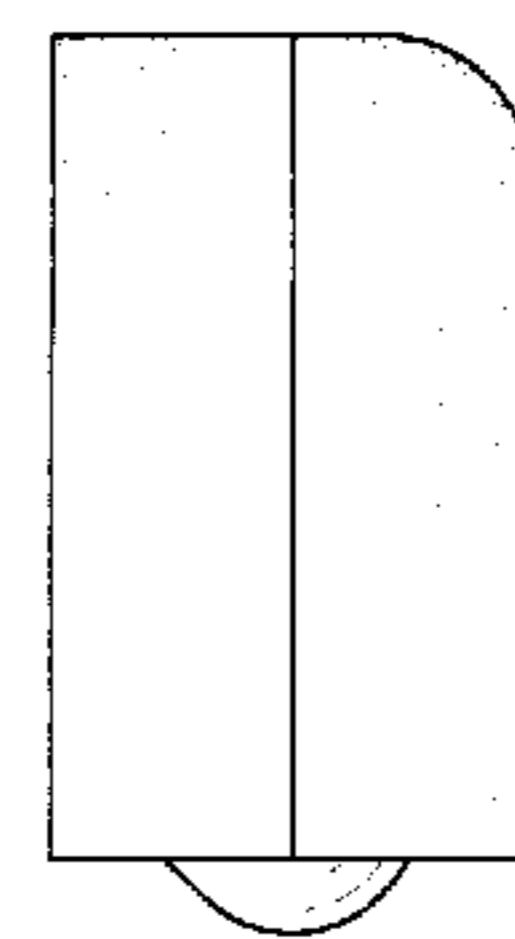
*Fig. 3*



*Fig. 4*



*Fig. 5*



*Fig. 6*