



US00D440672S

(12) **United States Design Patent**
Alexander

(10) **Patent No.:** **US D440,672 S**

(45) **Date of Patent:** **** Apr. 17, 2001**

(54) **ROOF ANCHOR DEVICE**

5,730,245 * 3/1998 Conway 182/45

(76) Inventor: **Richard Alexander**, 602 Linden St.,
Waukesha, WI (US) 53186

* cited by examiner

Primary Examiner—Doris Clark

(**) Term: **14 Years**

(57) **CLAIM**

(21) Appl. No.: **29/126,164**

The ornamental design for a roof anchor device, as shown and described.

(22) Filed: **Jul. 12, 2000**

DESCRIPTION

(51) **LOC (7) Cl.** **25-99**

(52) **U.S. Cl.** **D25/199; D25/62**

(58) **Field of Search** 182/2, 10, 45,
182/3; D25/62, 199

FIG. 1 is a perspective view of a roof anchor device showing my new design thereof;

FIG. 2 is a cross sectional view taken along 2—2 in FIG. 1 thereof;

FIG. 3 is a cross sectional view taken along 3—3 in FIG. 1 thereof;

FIG. 4 is a bottom perspective view thereof; and,

FIG. 5 is a side elevational plan view thereof.

The opposite side view of FIG. 5 is a mirror image thereof.

(56) **References Cited**

U.S. PATENT DOCUMENTS

- D. 219,067 * 10/1970 Johnson D25/62
- D. 419,699 * 1/2000 Stodola D25/199
- 5,287,944 * 2/1994 Woodyard 182/45

1 Claim, 2 Drawing Sheets

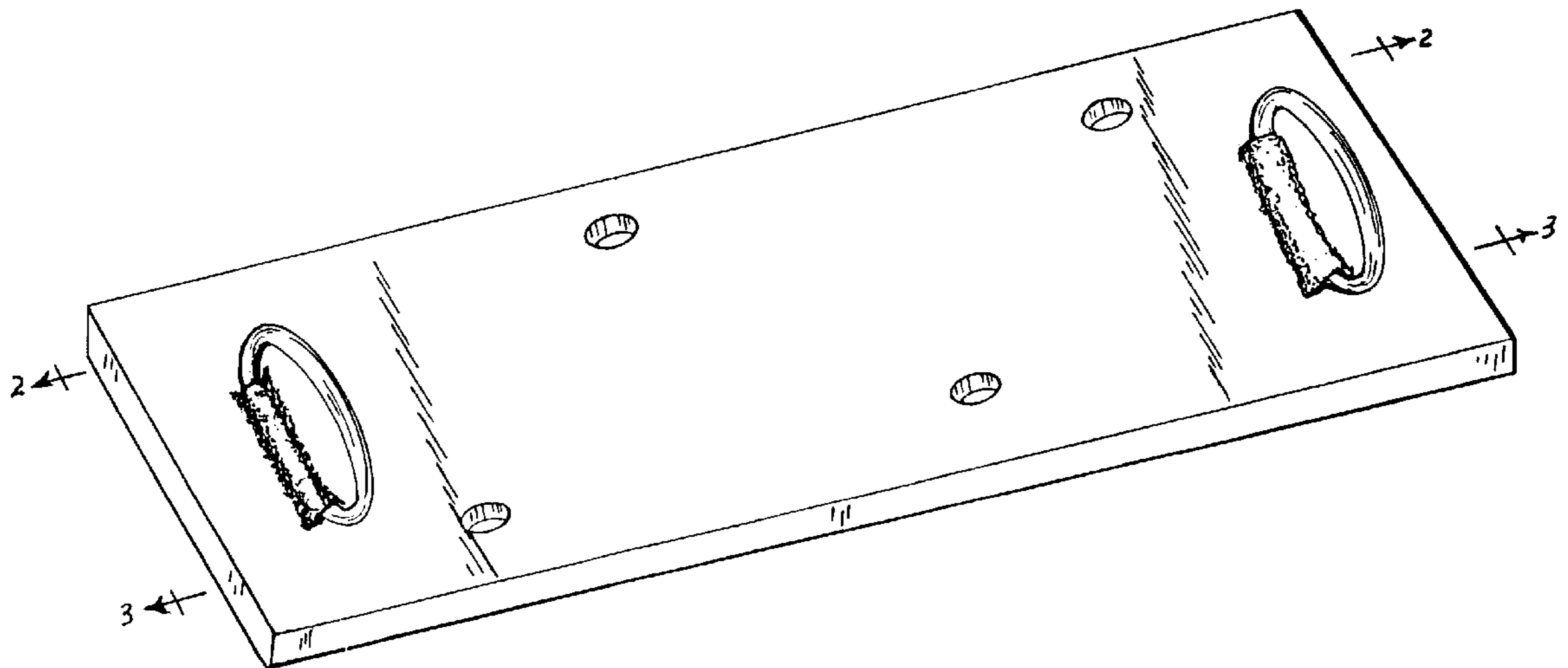


FIG. 2

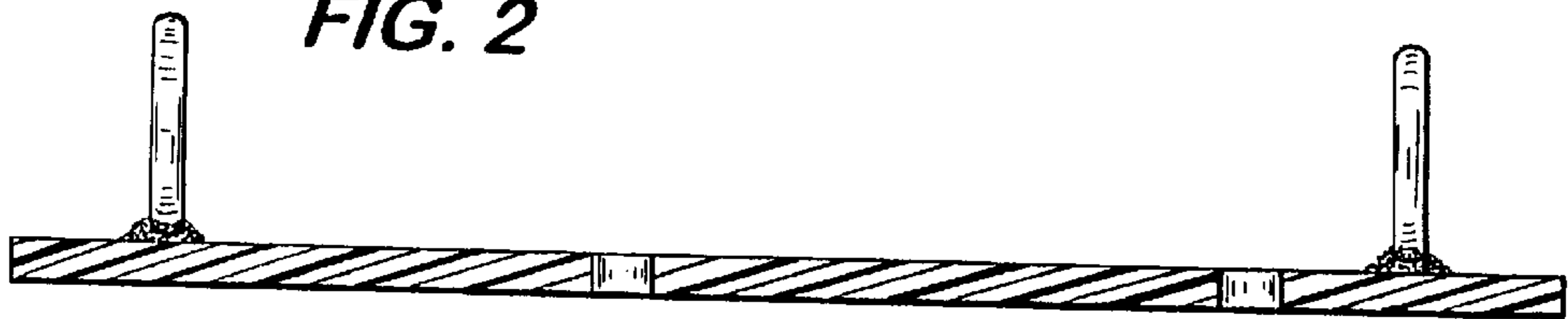


FIG. 1

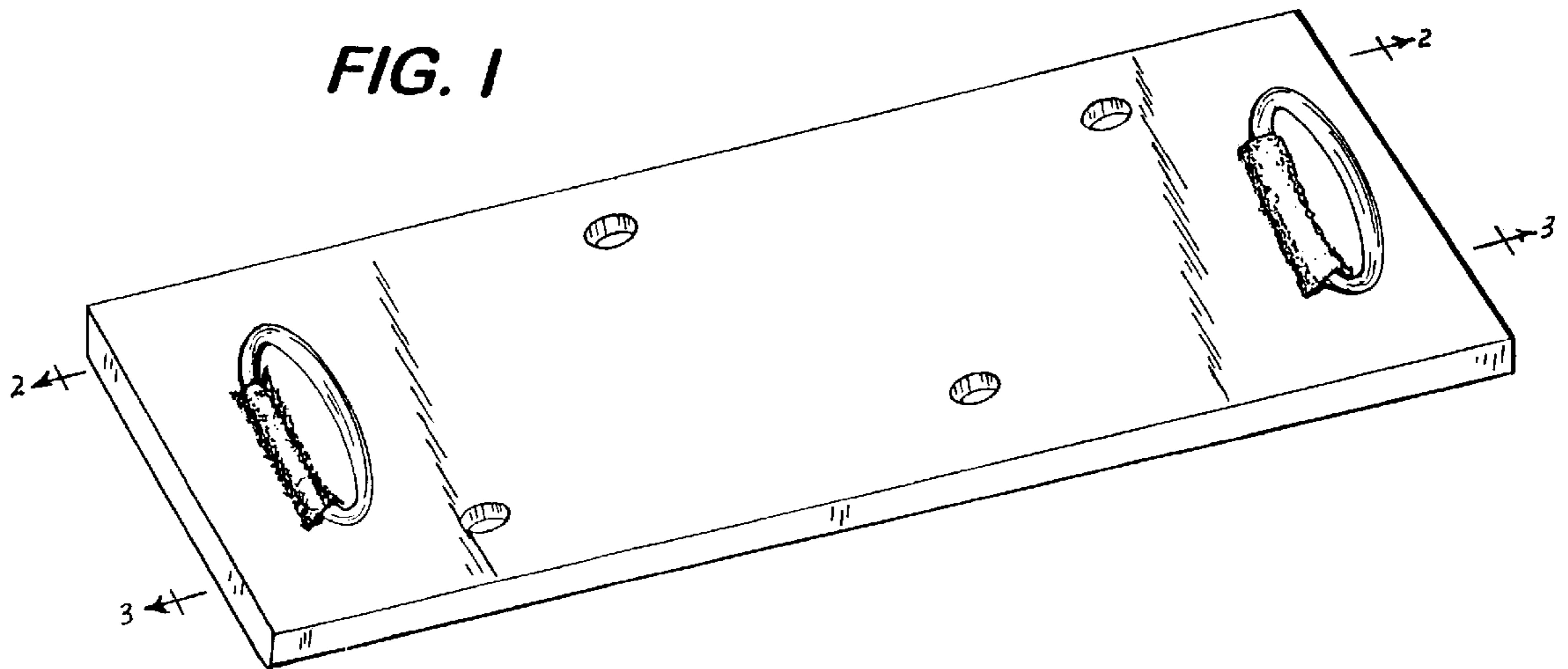


FIG. 3



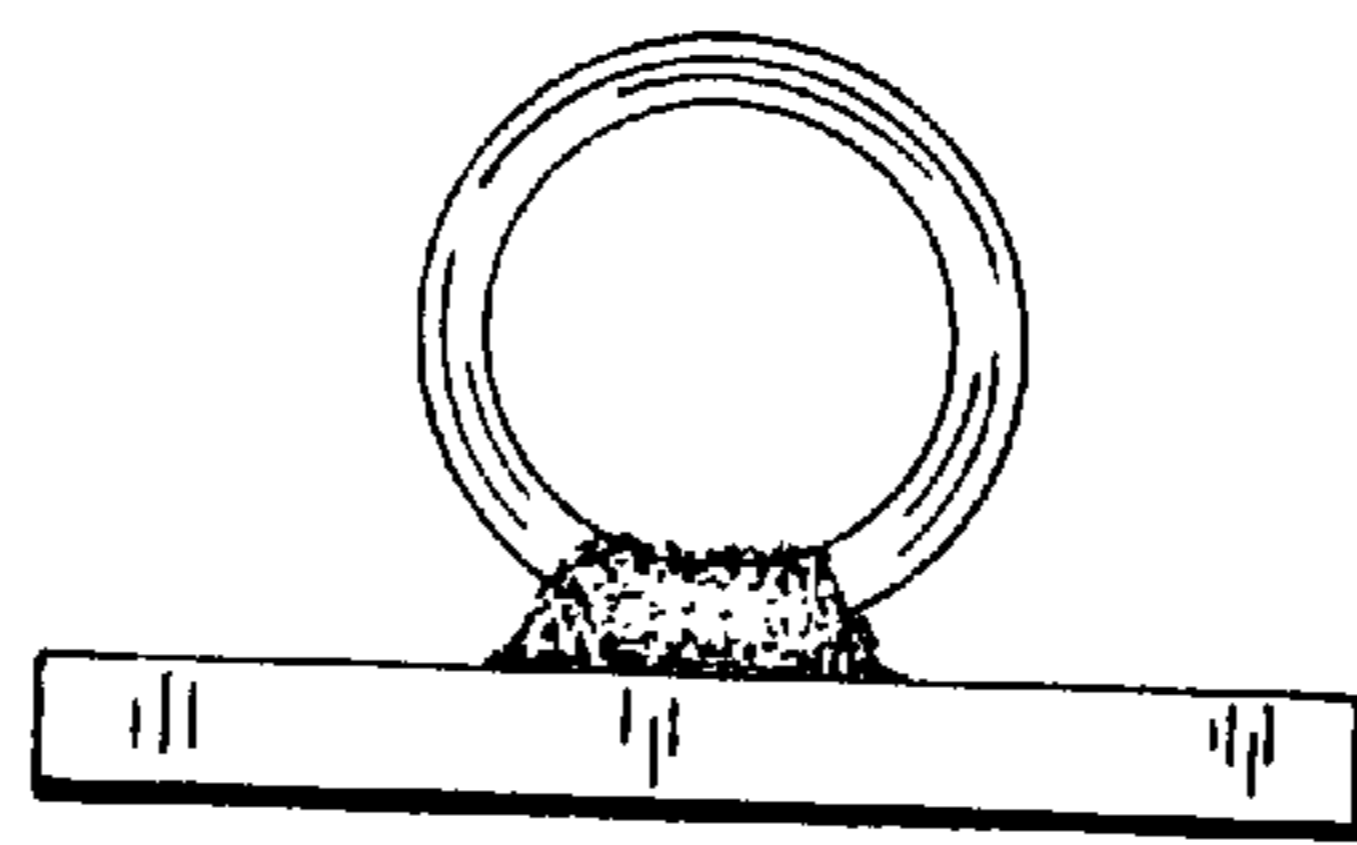
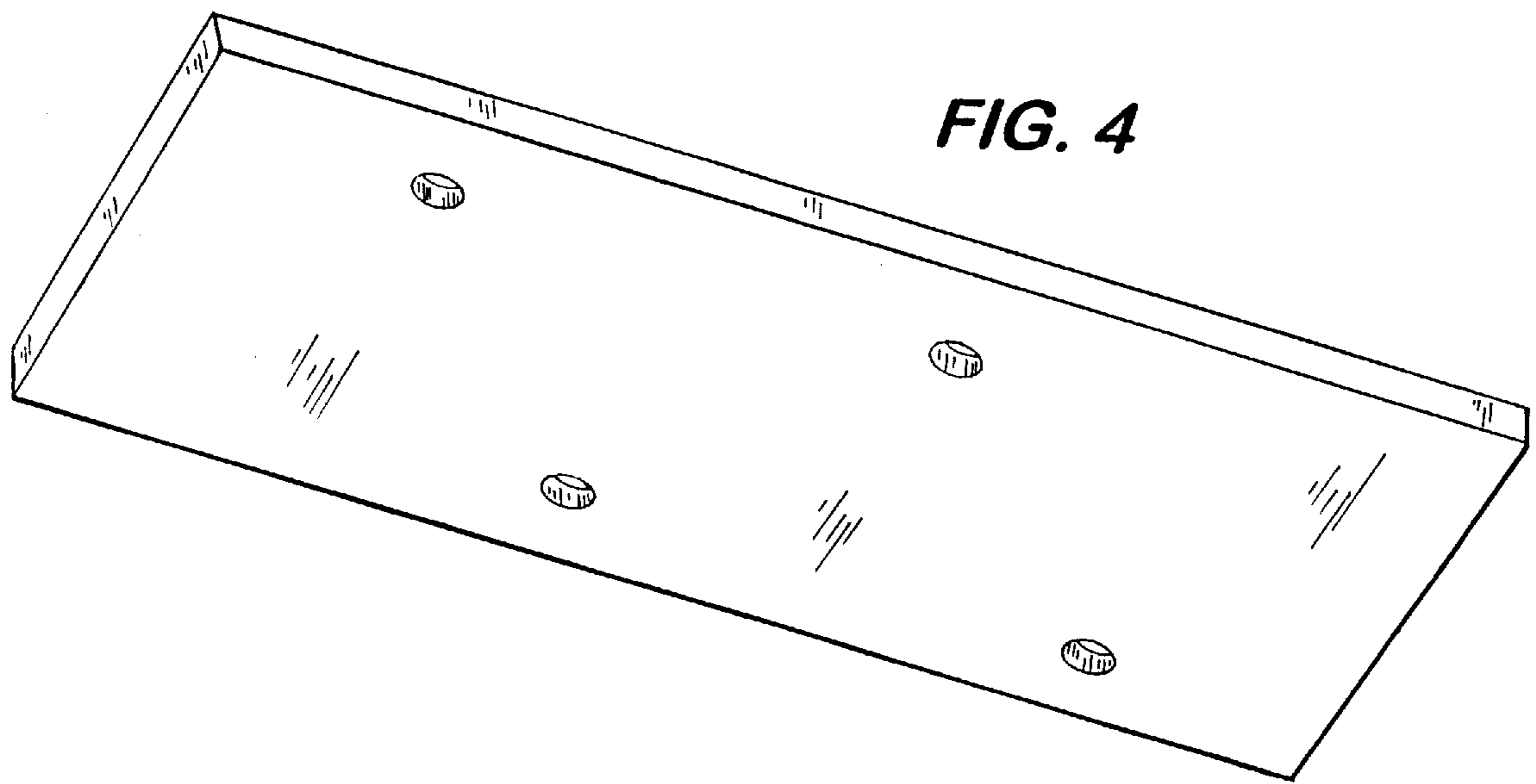


FIG. 5