



US00D440667S

(12) **United States Design Patent**
Habeck et al.

(10) **Patent No.:** **US D440,667 S**

(45) **Date of Patent:** **** Apr. 17, 2001**

(54) **FLUSH FIN JAMB FOR SINGLE HUNG WINDOW**

(75) Inventors: **Jerome Carl Habeck**, Holt; **Dennis C. Westphal**, Parma, both of MI (US); **David S. Levine**, King of Prussia; **Stanley Gursky**, Yardley, both of PA (US)

(73) Assignee: **CertainTeed Corp.**, Valley Forge, PA (US)

(*) Notice: This patent is subject to a terminal disclaimer.

(**) Term: **14 Years**

(21) Appl. No.: **29/124,596**

(22) Filed: **Jun. 7, 2000**

(51) **LOC (7) Cl.** **25-01**

(52) **U.S. Cl.** **D25/124**

(58) **Field of Search** D25/52, 60, 119-125; 49/DIG. 2, 504, 505, 404, 413, 419, 407-408; 52/204.56, 204.51, 230.3, 205.1, 202, 730.5, 731, 732, 738, 204.5

(56) **References Cited**

U.S. PATENT DOCUMENTS

D. 338,971 * 8/1993 Moss et al. D25/124
D. 390,794 * 2/1998 Opielski et al. D25/124

* cited by examiner

Primary Examiner—Doris Clark

(74) *Attorney, Agent, or Firm*—Duane Morris & Heckscher LLP

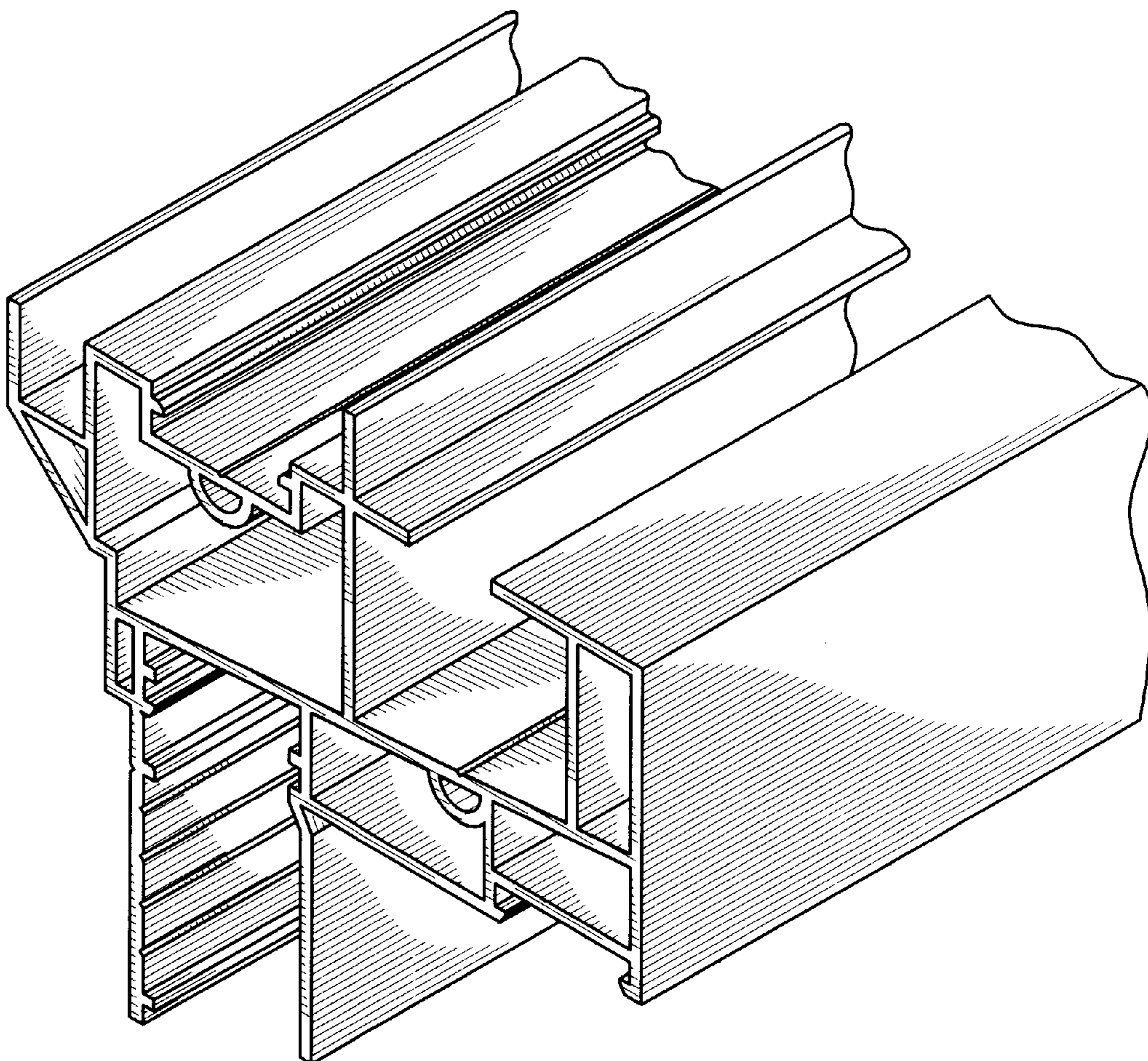
(57) **CLAIM**

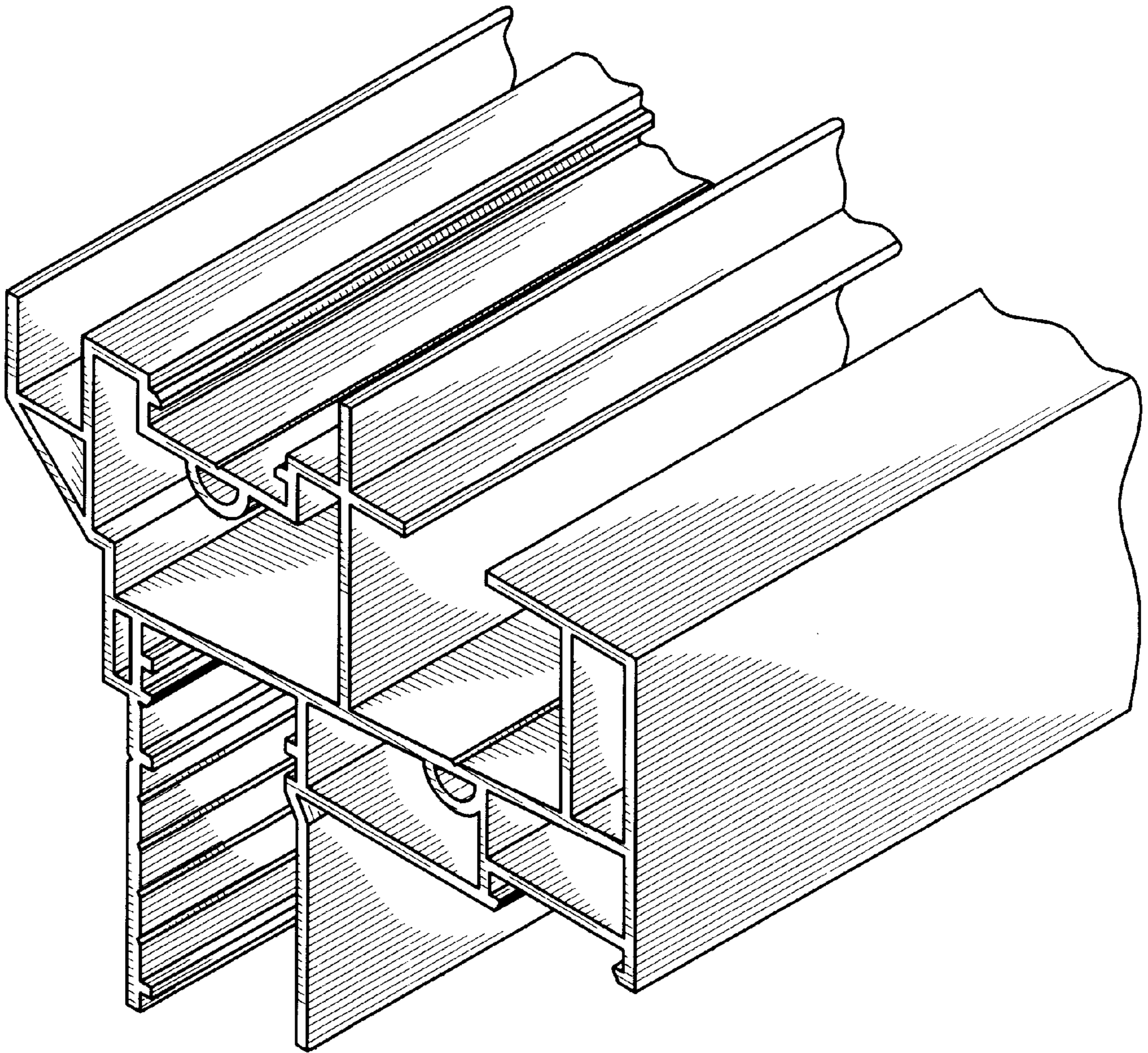
The ornamental design for a flush fin jamb for single hung window, as shown and described.

DESCRIPTION

The FIGURE is a front perspective view of a flush fin jamb for single hung window, showing our new design, the rear perspective view being a mirror image thereof, and is shown fragmented indicating indefinite length.

1 Claim, 1 Drawing Sheet





THE FIGURE