



US00D440662S

(12) **United States Design Patent**  
**Ferber**

(10) **Patent No.:** **US D440,662 S**

(45) **Date of Patent:** **\*\* Apr. 17, 2001**

(54) **FOOT PARAFFIN BATH**

**OTHER PUBLICATIONS**

- (75) Inventor: **Roman S. Ferber**, Bloomfield, MI (US)
- (73) Assignee: **Homedics, Inc.**, Commerce Township, MI (US)
- (\*\*) Term: **14 Years**

Therabath® Paraffin Wax Therapy for arthritis, bursitis, tendonitis, [www.1rehab.com/paraffin/index.htm](http://www.1rehab.com/paraffin/index.htm), May 23, 2000, pp. 1–3.  
 Remington Products, Hand Care, [www.remingtonproducts.com/products/spatherapy/ahdn.html](http://www.remingtonproducts.com/products/spatherapy/ahdn.html), May 23, 2000, pp. 1–3.  
 Photographs of Gena Paraffin Bath Product, pp. 1–2.

- (21) Appl. No.: **29/132,094**
- (22) Filed: **Nov. 1, 2000**

\* cited by examiner

*Primary Examiner*—Stella Reid  
 (74) *Attorney, Agent, or Firm*—Brooks & Kushman PC

- (51) **LOC (7) Cl.** ..... **24-04**
- (52) **U.S. Cl.** ..... **D24/200**
- (58) **Field of Search** ..... D24/200, 204;  
607/96, 104, 108, 111; 604/291; D28/56,  
61

(57) **CLAIM**

The ornamental design for a foot paraffin bath, as shown and described.

(56) **References Cited**

**DESCRIPTION**

**U.S. PATENT DOCUMENTS**

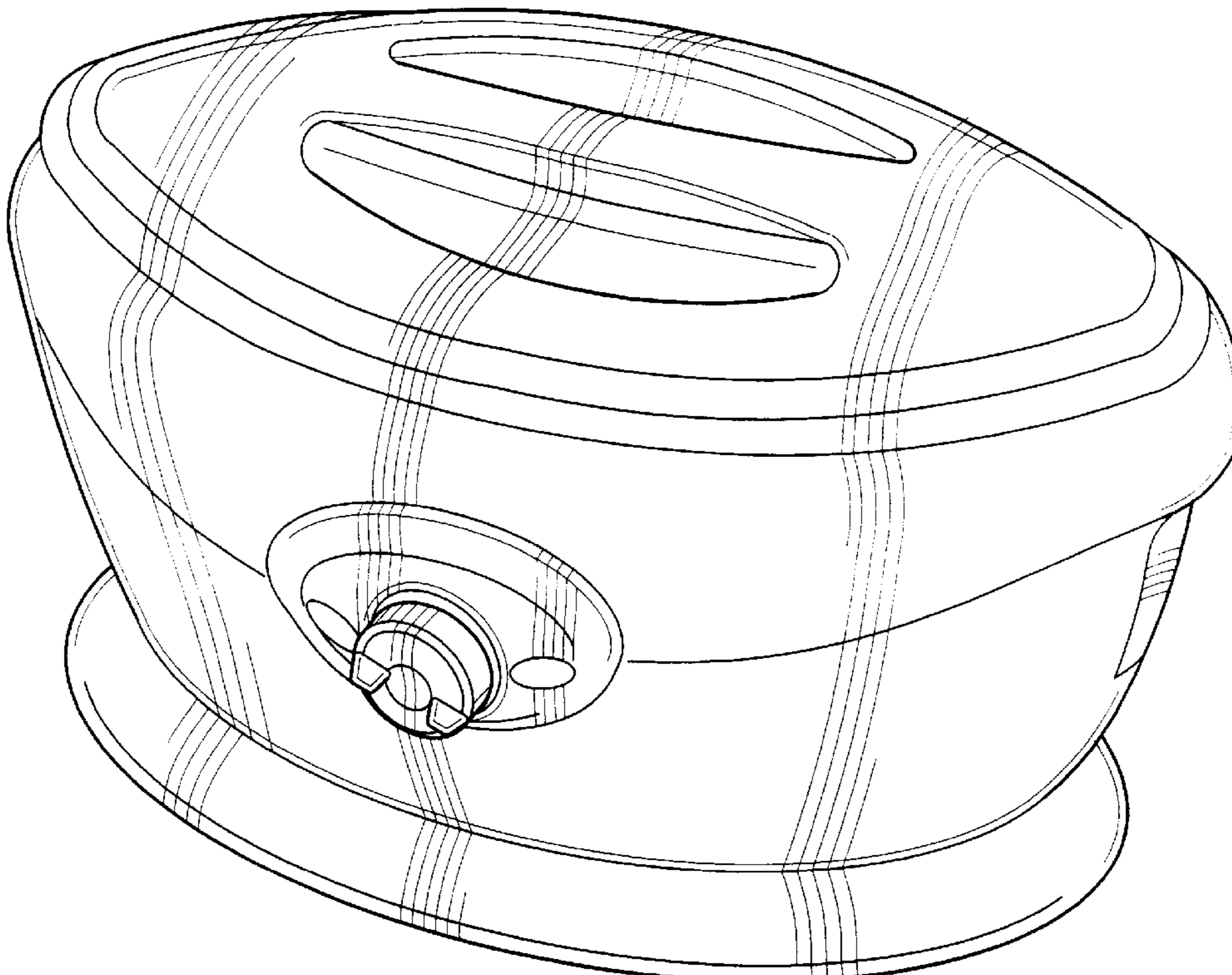
3,157,774	*	11/1964	Moore et al.	607/114
4,632,115		12/1986	Bernardini .	
4,696,303		9/1987	Bernardini .	
4,782,835	*	11/1988	Bernardini	607/114
4,880,415		11/1989	Urakami .	
4,967,061		10/1990	Weber, Jr. et al. .	
5,674,268		10/1997	Riazi .	

FIG. 1 is perspective view of my new design;  
 FIG. 2 is a front elevation view of my new design;  
 FIG. 3 is a right-side elevation view of my new design;  
 FIG. 4 is a rear elevation view of my new design;  
 FIG. 5 is a left-side elevation view of my new design;  
 FIG. 6 is a top plan view of my new design; and,  
 FIG. 7 is a bottom plan view of my new design.  
 The broken line showing the electrical cord and plug in FIG. 7 is for illustrative purposes only and forms no part of the claimed design.

**FOREIGN PATENT DOCUMENTS**

61-65815	4/1986	(JP) .
11-56893	3/1999	(JP) .

**1 Claim, 4 Drawing Sheets**



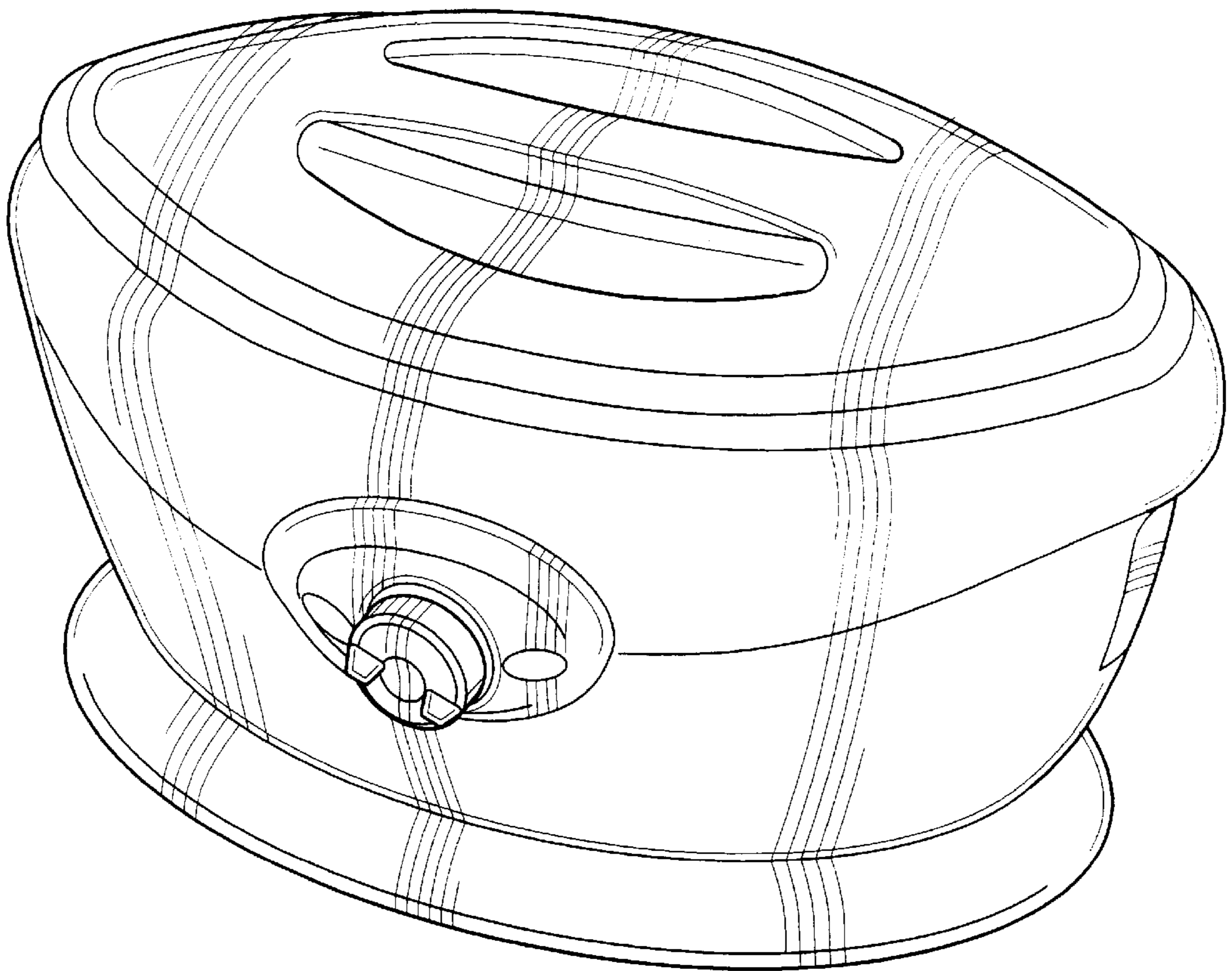


Fig-1

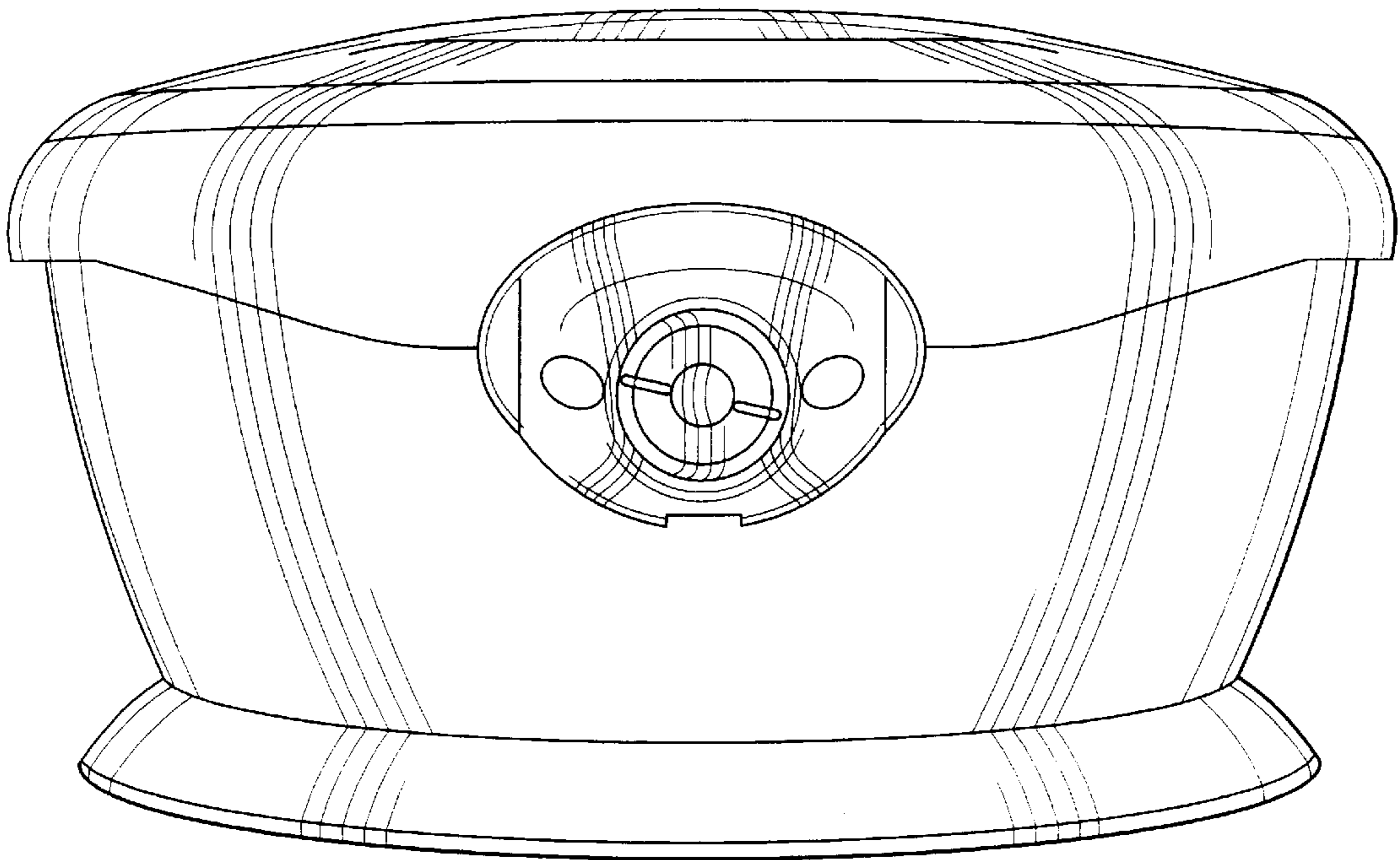


Fig-2

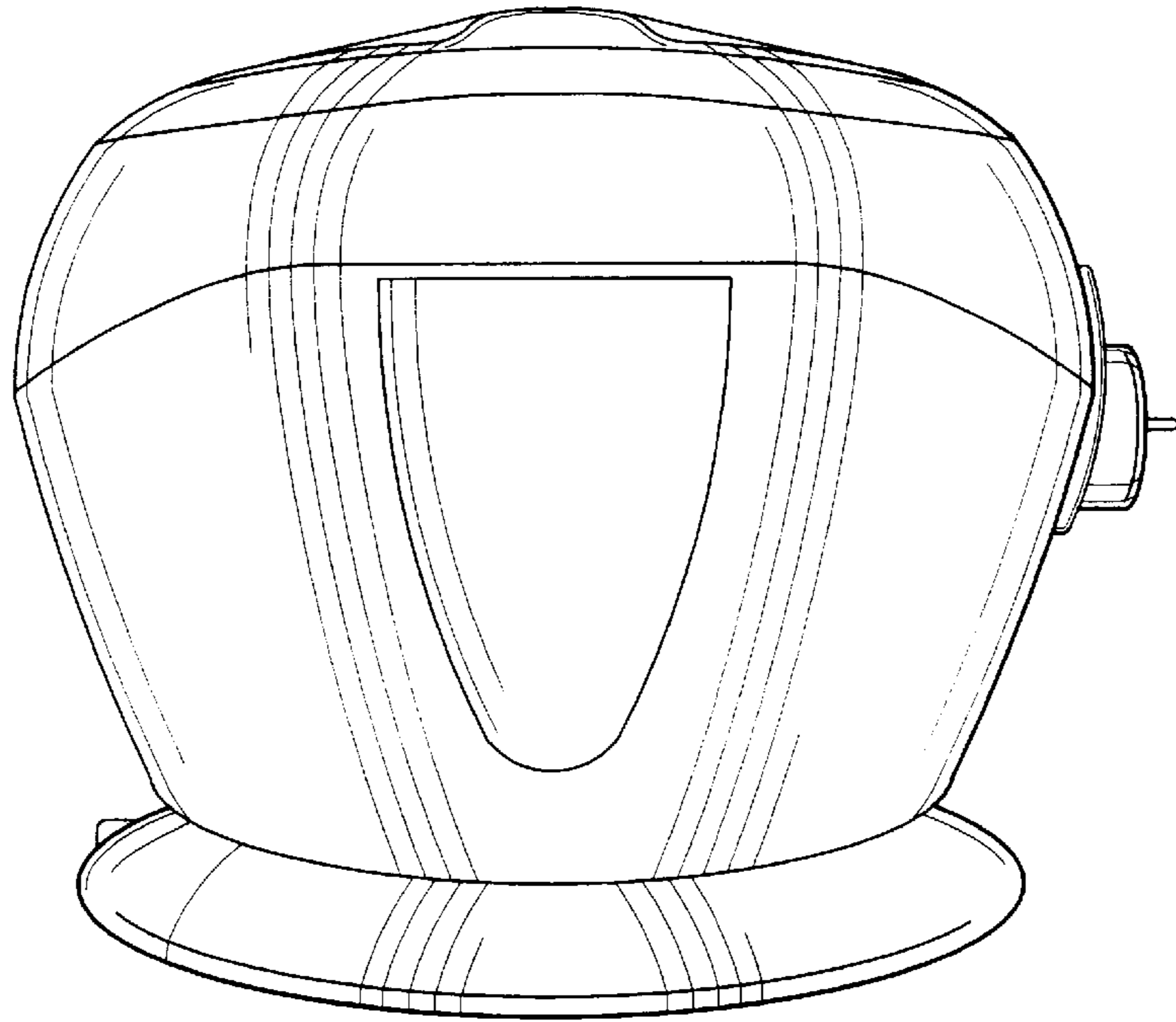


Fig-3

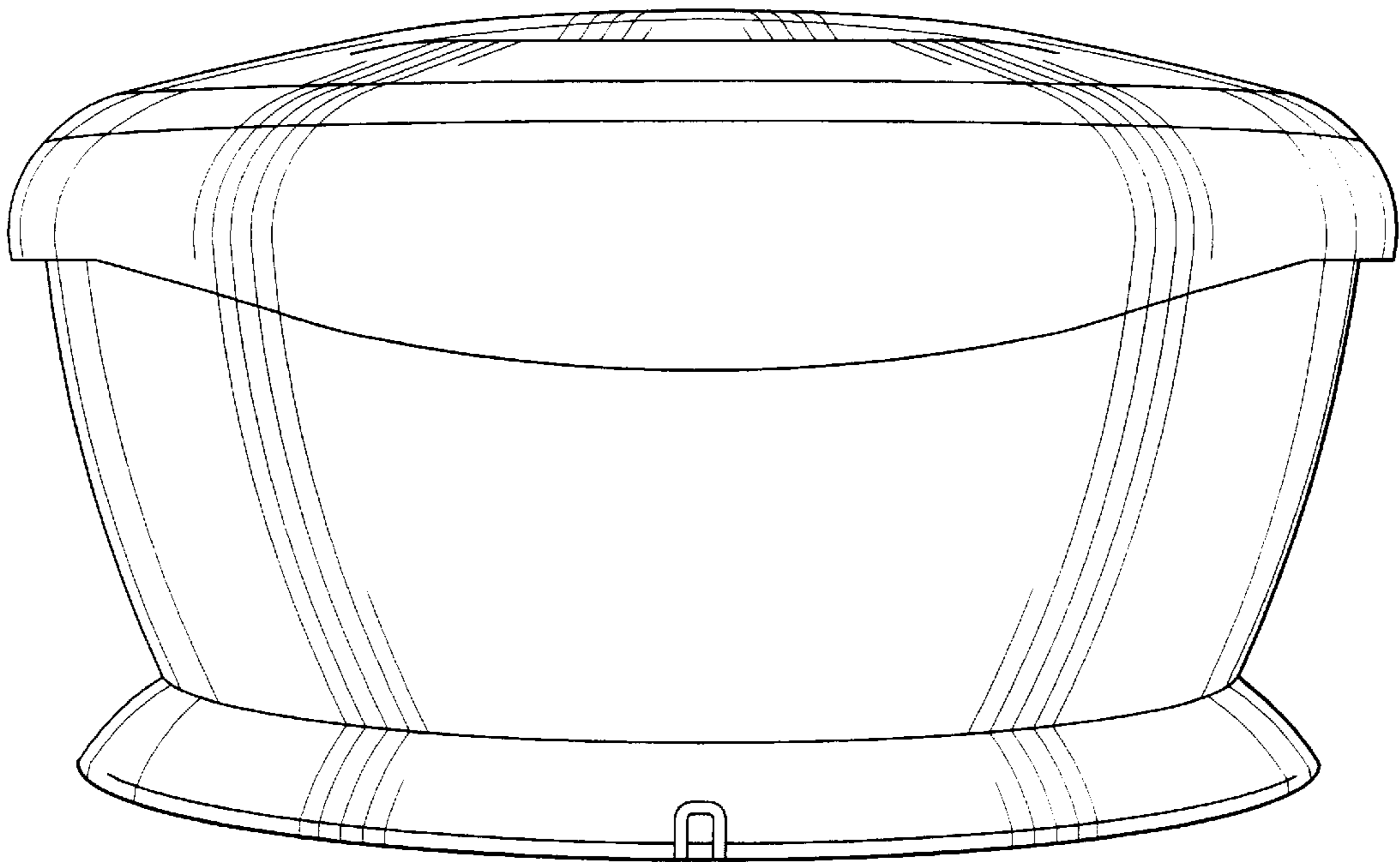


Fig-4

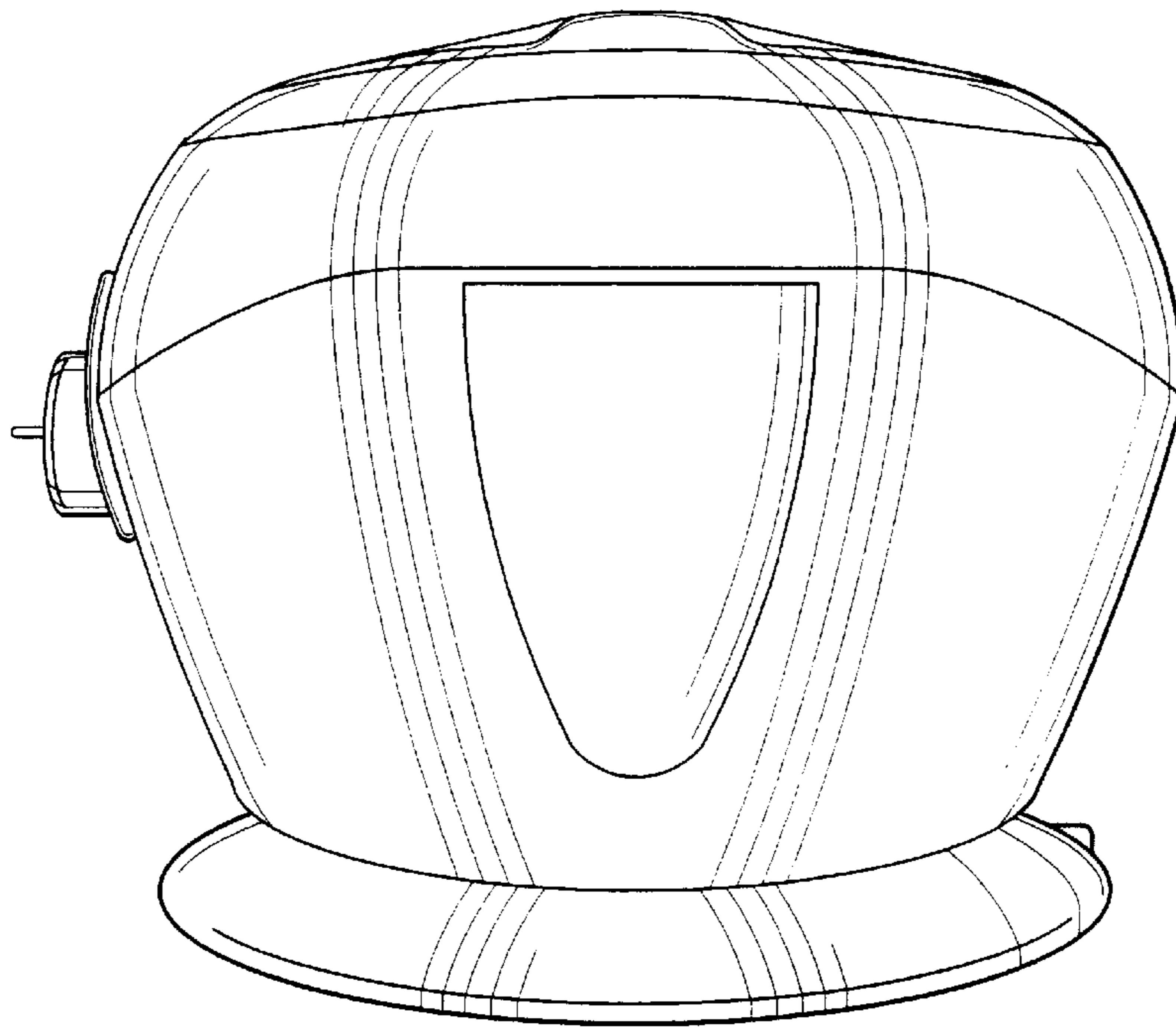


Fig-5

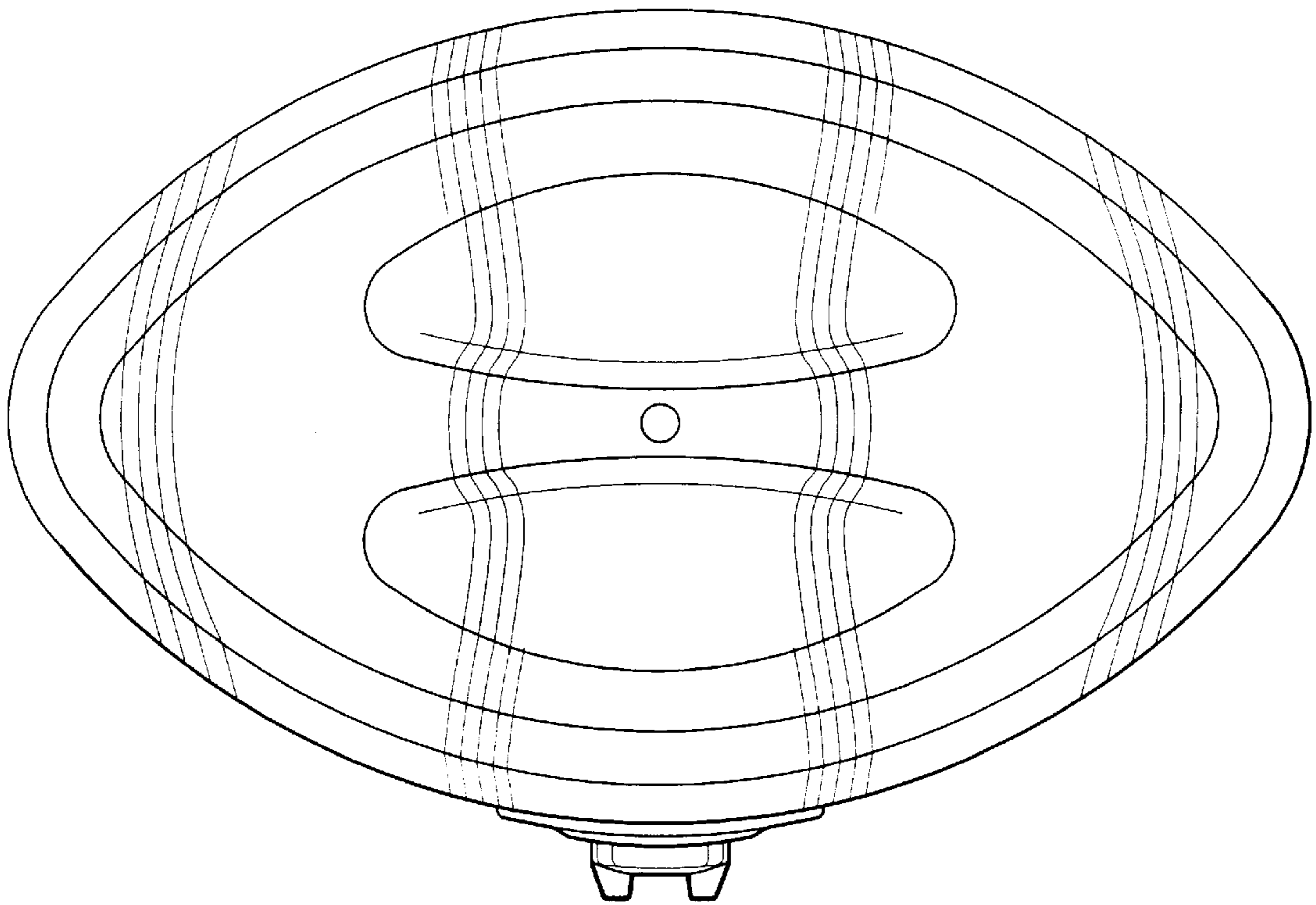


Fig-6

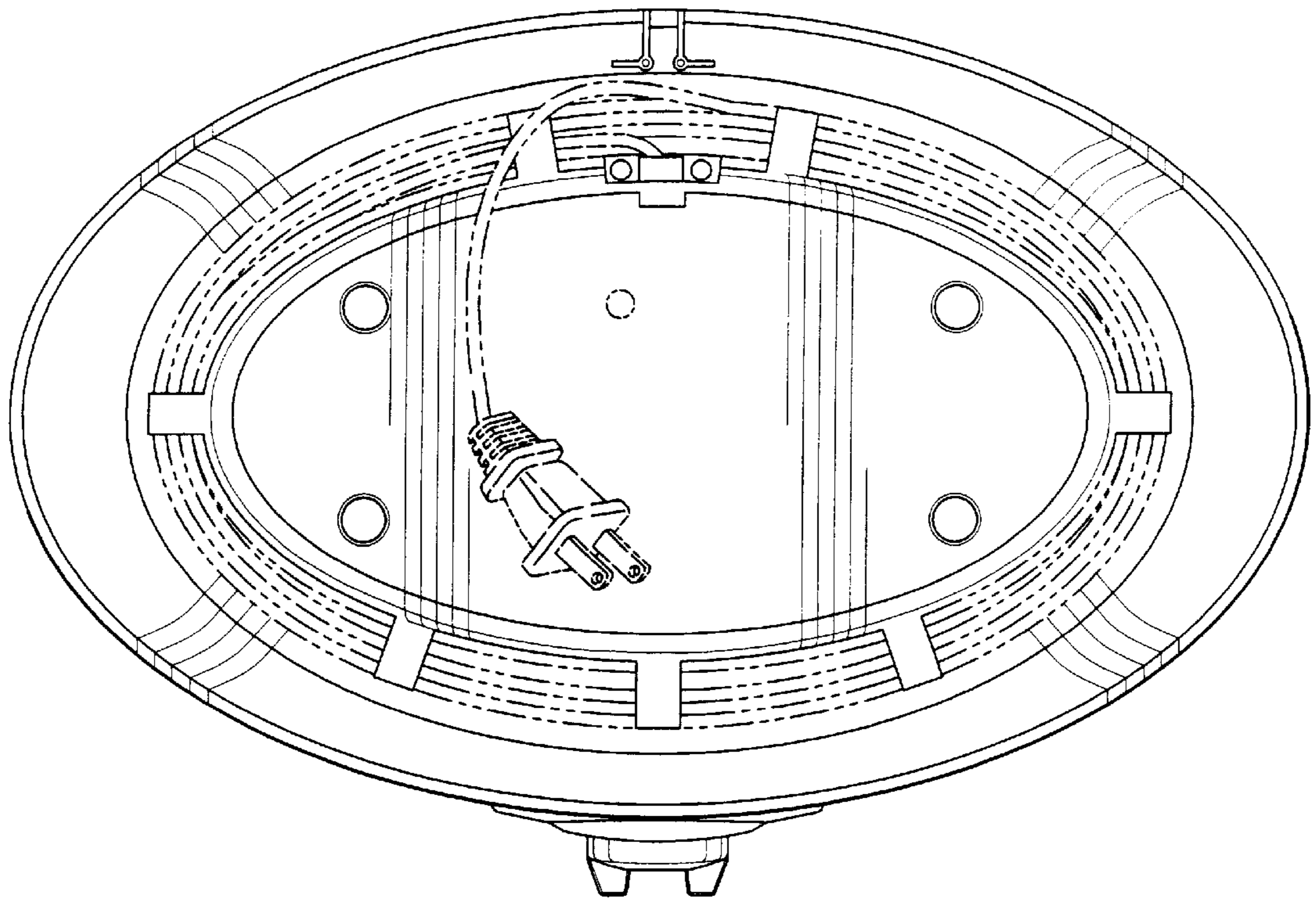


Fig-7