



US00D440648S

(12) **United States Design Patent**
Lee et al.

(10) **Patent No.: US D440,648 S**

(45) **Date of Patent: ** *Apr. 17, 2001**

(54) **FAN BODY**

(75) Inventors: **Don Lee**, Taipei (TW); **Kenneth Roach**, Ft. Lauderdale, FL (US)

(73) Assignee: **Atico International USA, Inc.**, Ft. Lauderdale, FL (US)

(**) Term: **14 Years**

(21) Appl. No.: **29/118,403**

(22) Filed: **Feb. 8, 2000**

(51) **LOC (7) Cl.** **23-04**

(52) **U.S. Cl.** **D23/382; D23/411**

(58) **Field of Search** D23/382, 381, D23/411, 412, 413; 416/246, 247 R, 244 R

(56) **References Cited**

U.S. PATENT DOCUMENTS

D. 294,968	3/1988	Shin-Chin .
D. 295,070	4/1988	Shin-Chin .
D. 306,903	3/1990	Shin-Chin .
D. 309,944	8/1990	Chiu .
D. 336,512	6/1993	Cunning .
D. 354,127	1/1995	Cunning .
D. 397,192	8/1998	Chiu et al. .
D. 397,417	8/1998	Jané et al. .
D. 397,779	9/1998	Marvin .

D. 398,982	9/1998	Jané et al. .	
D. 398,983	* 9/1998	Keller et al.	D23/382
D. 402,363	12/1998	Birdsell et al. .	
D. 405,520	2/1999	Birdsell et al. .	
D. 421,114	2/2000	Lozzlo et al. .	

* cited by examiner

Primary Examiner—Lisa Lichtenstein

(74) *Attorney, Agent, or Firm*—Cobrin & Gittes

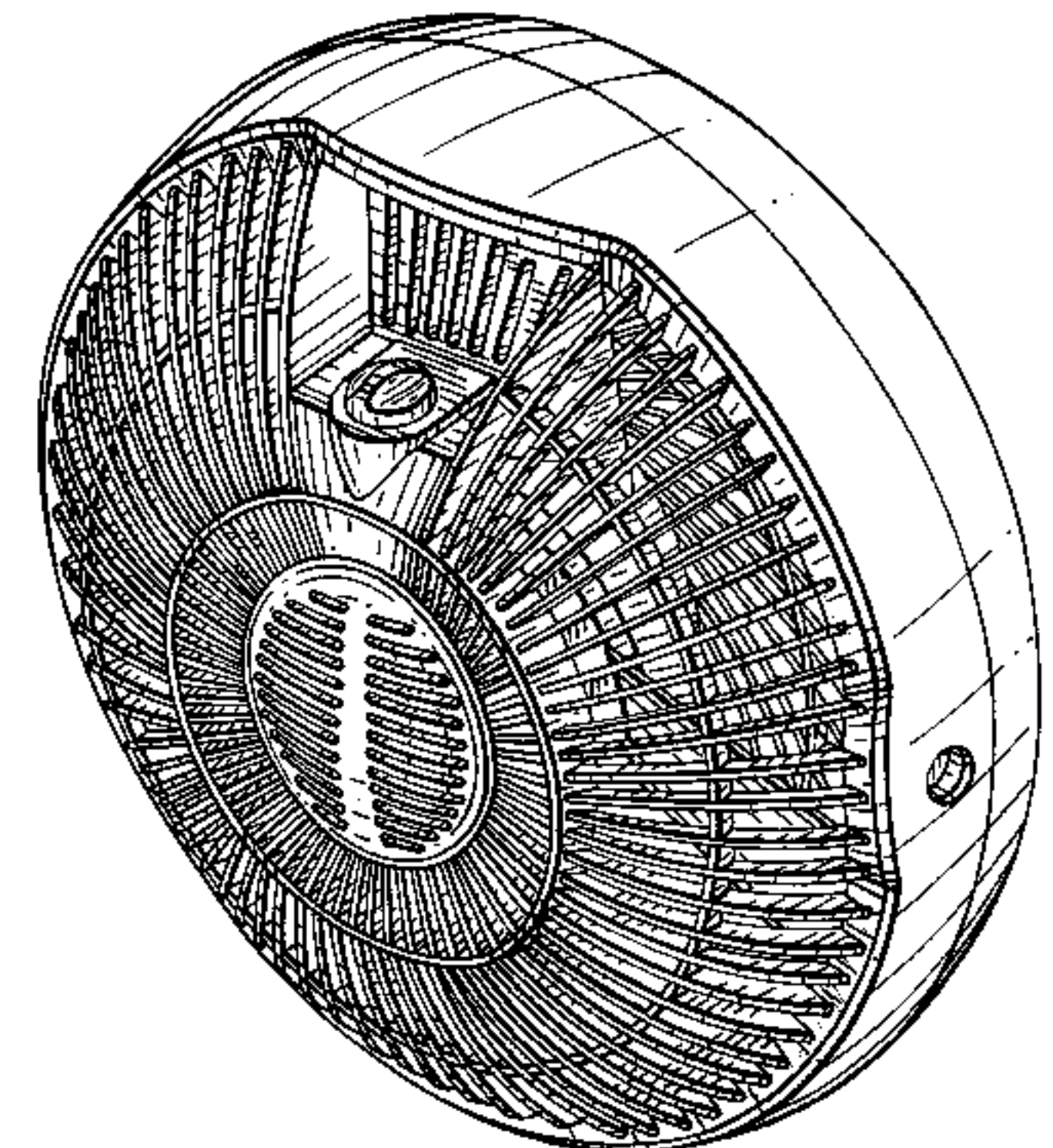
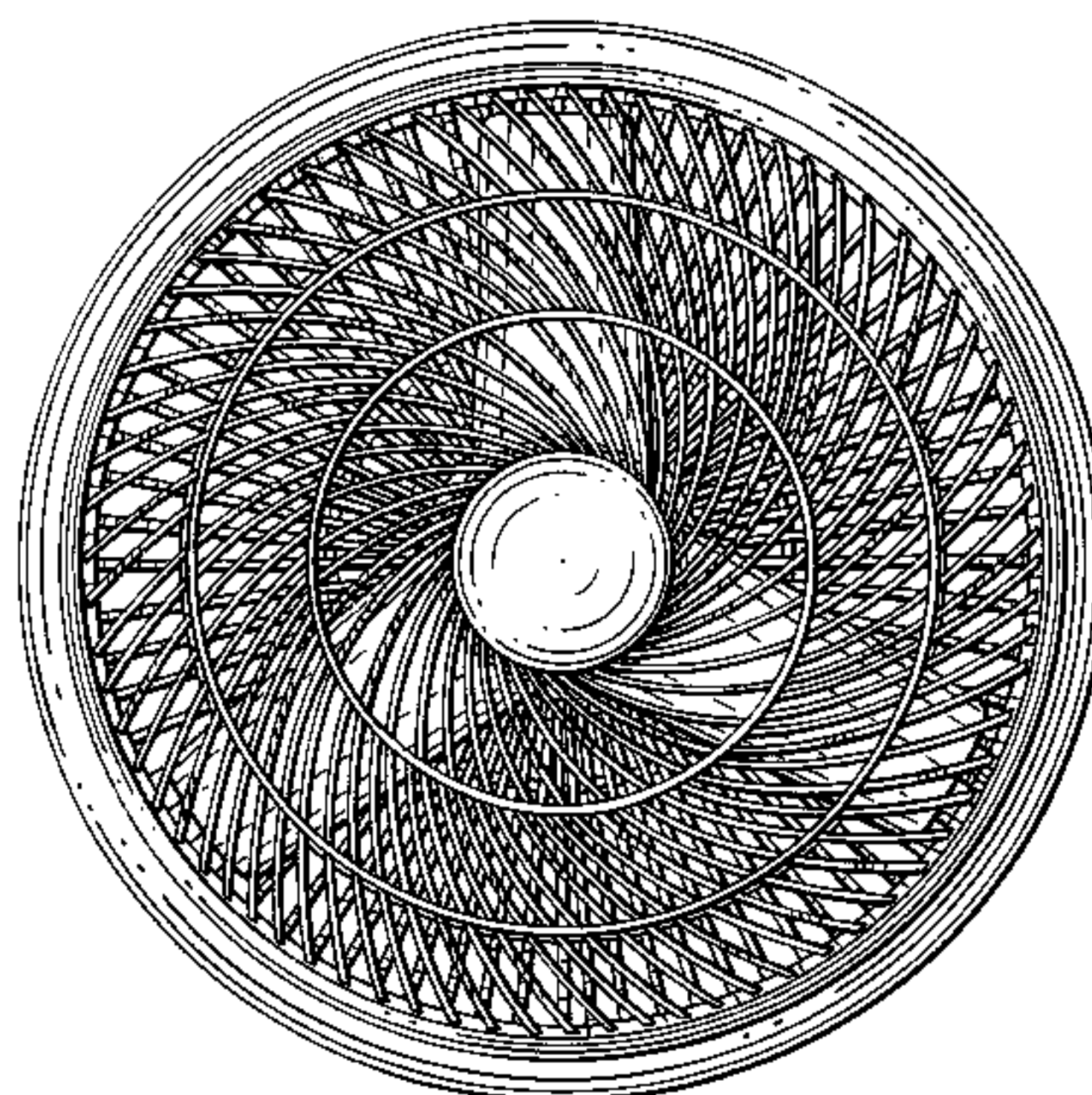
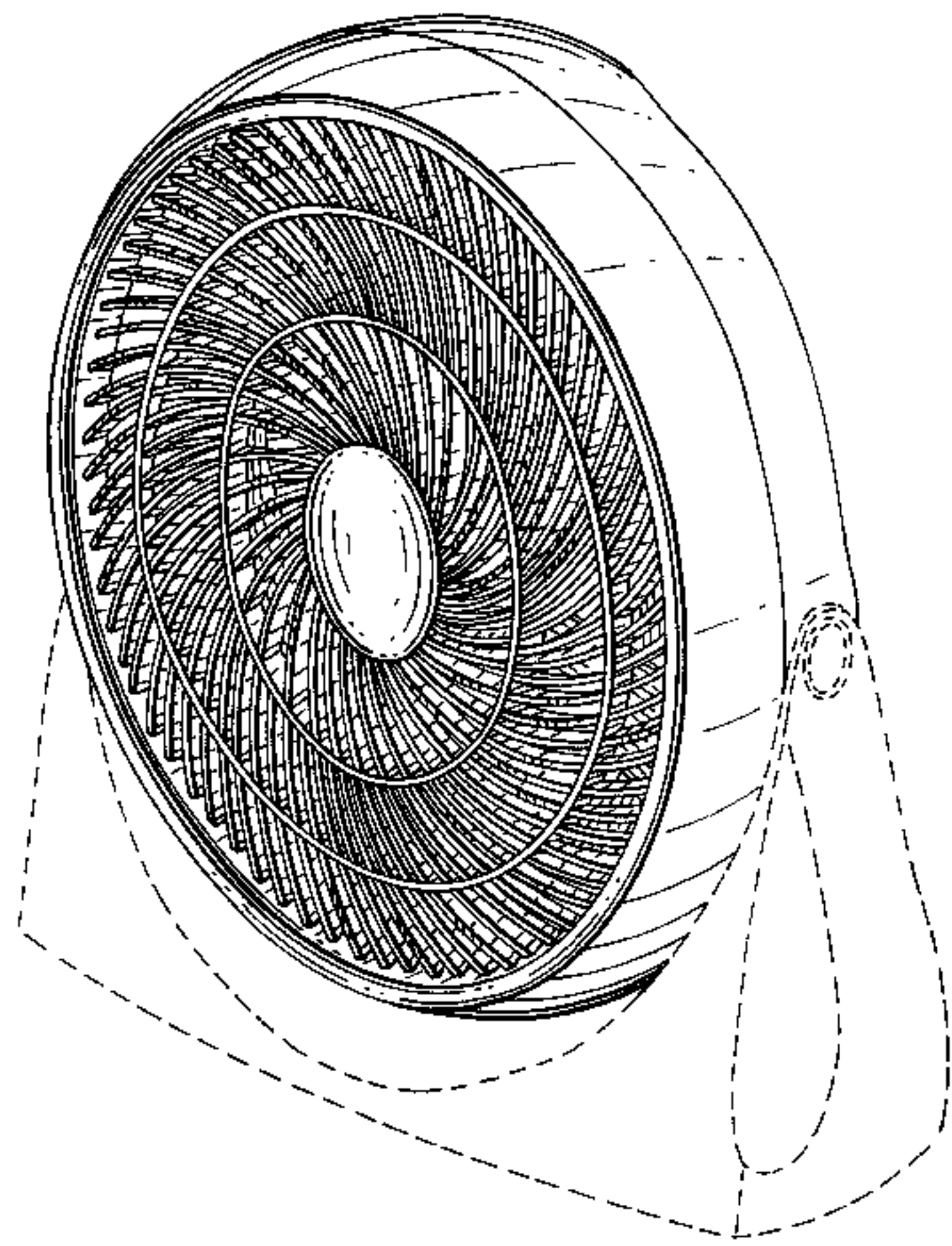
(57) **CLAIM**

The ornamental design for a fan body, as shown and described.

DESCRIPTION

FIG. 1 is a top, front and right side perspective view of a fan body in accordance with our invention;
 FIG. 2 is a top plan view thereof;
 FIG. 3 is a front view thereof;
 FIG. 4 is a right side view thereof that is identical/symmetrical to the left side thereof;
 FIG. 5 is a rear view thereof;
 FIG. 6 is a bottom plan view thereof; and,
 FIG. 7 is a top, rear and left side perspective view thereof.
 The broken line showing of environmental structure in FIG. 1 is for illustrative purposes only and forms no part of the claimed design.

1 Claim, 4 Drawing Sheets



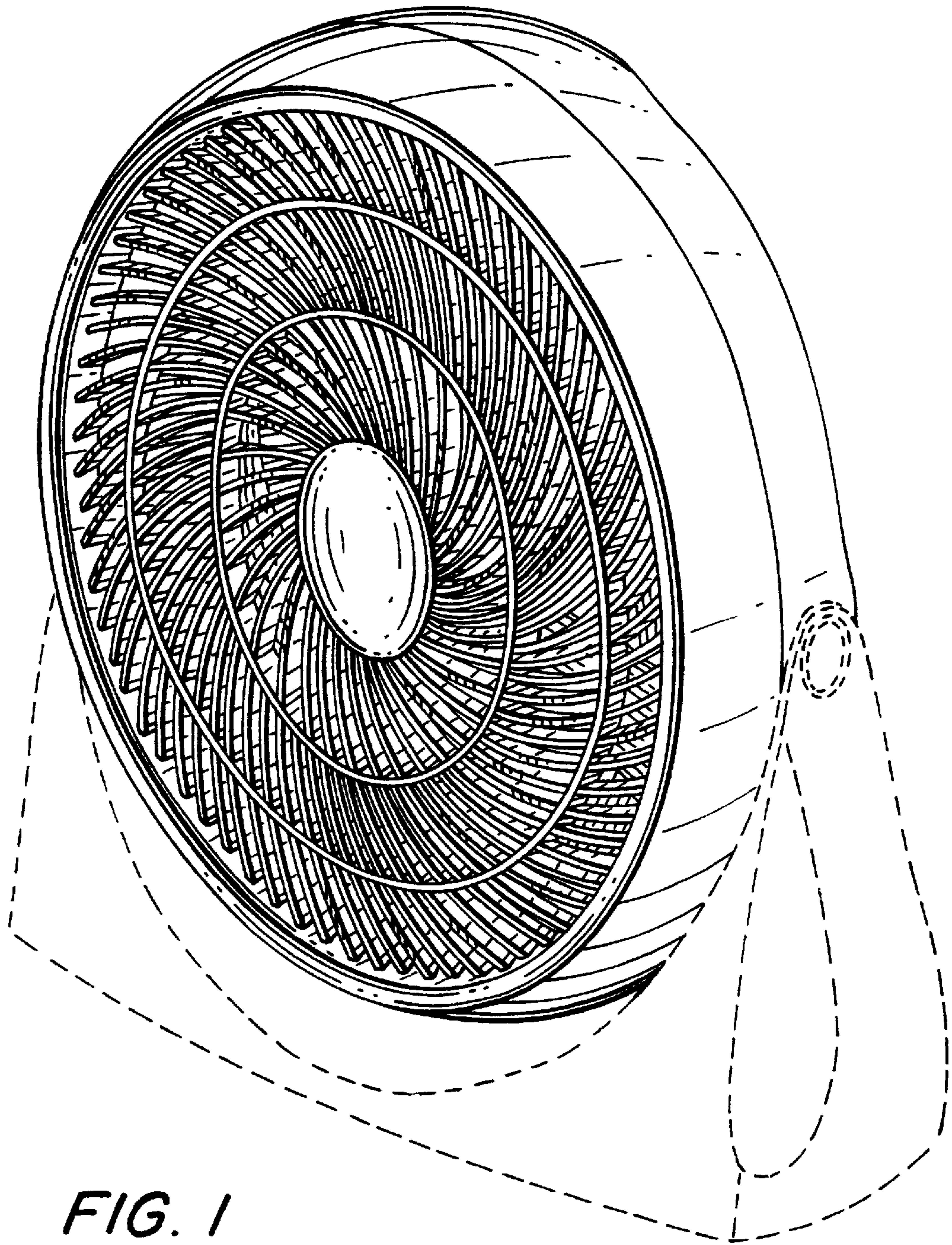


FIG. 1

FIG. 2

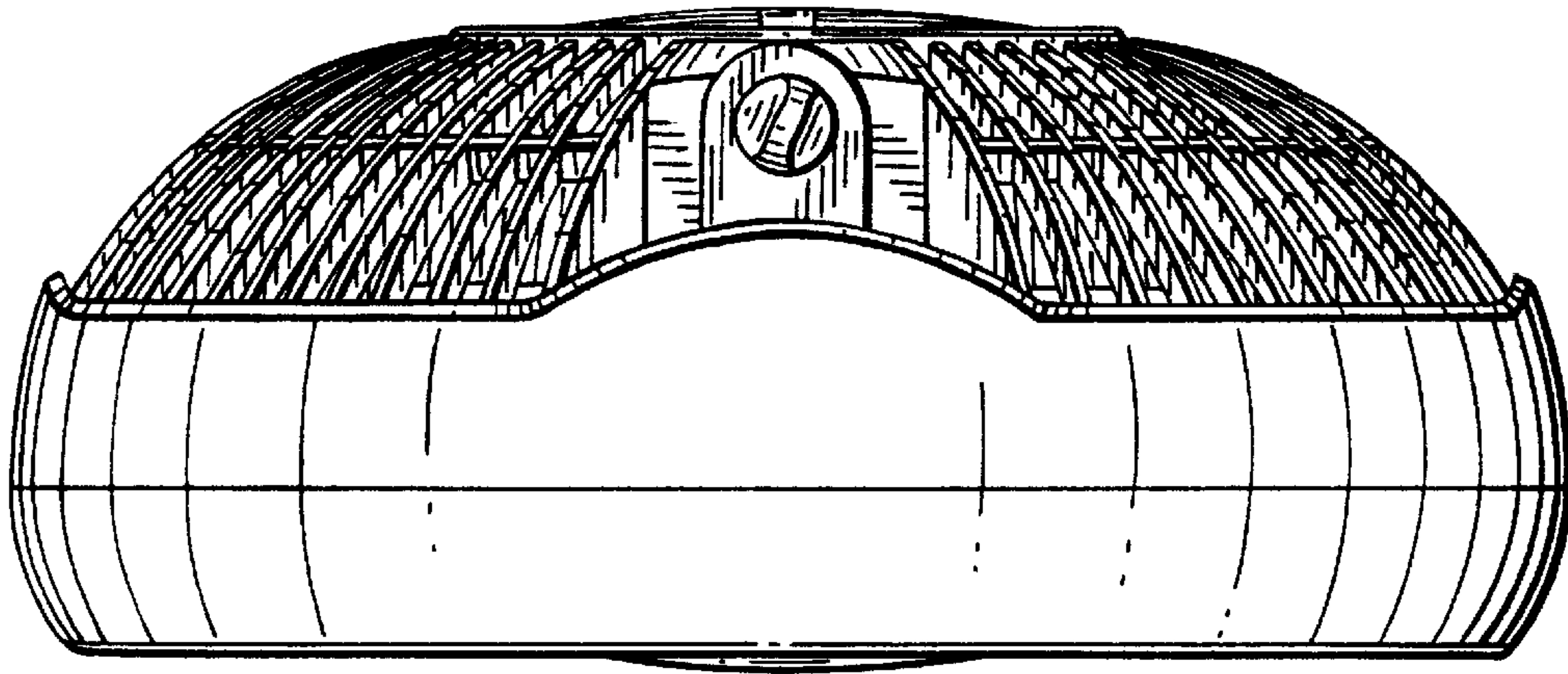


FIG. 3

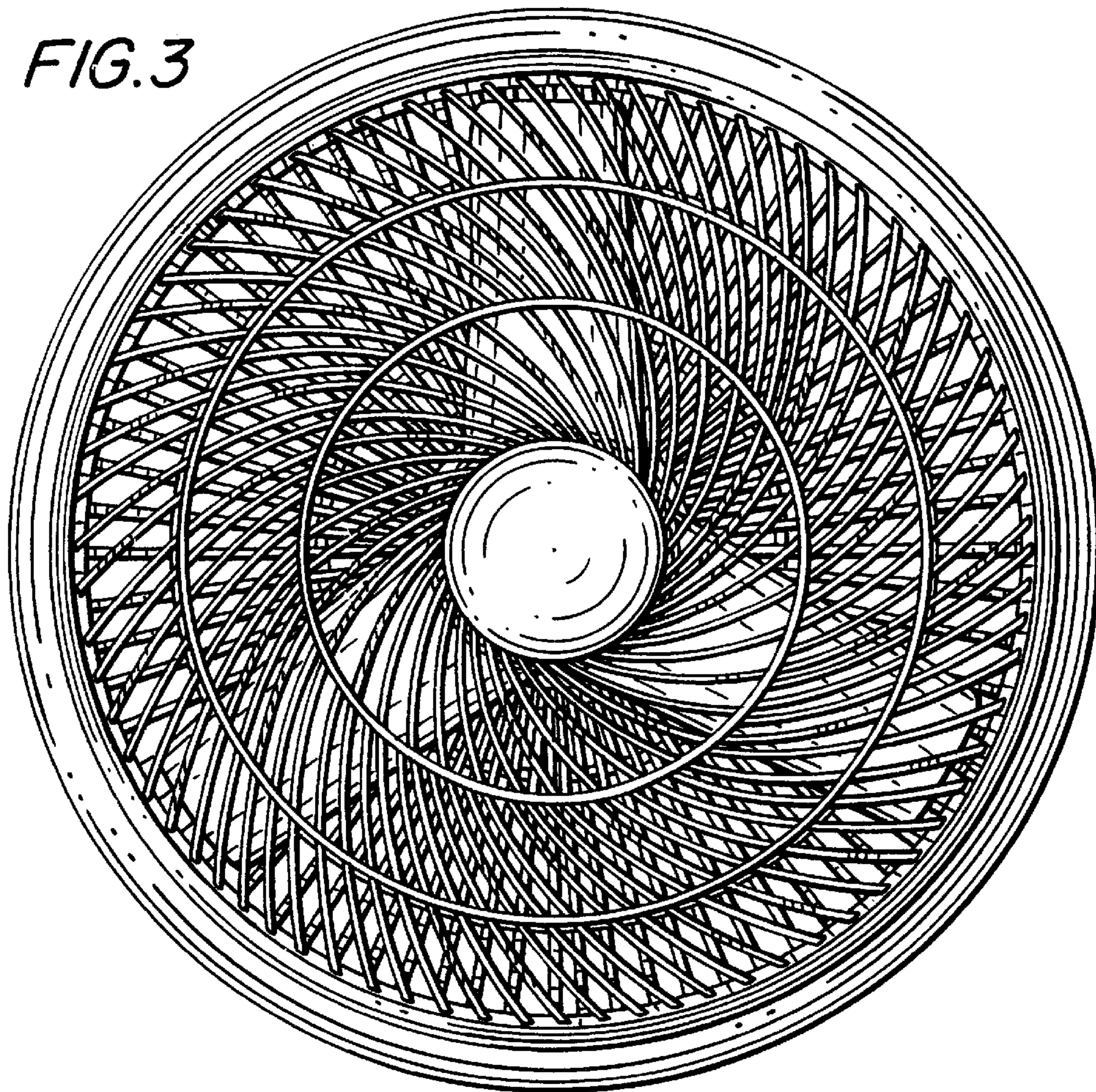


FIG. 5

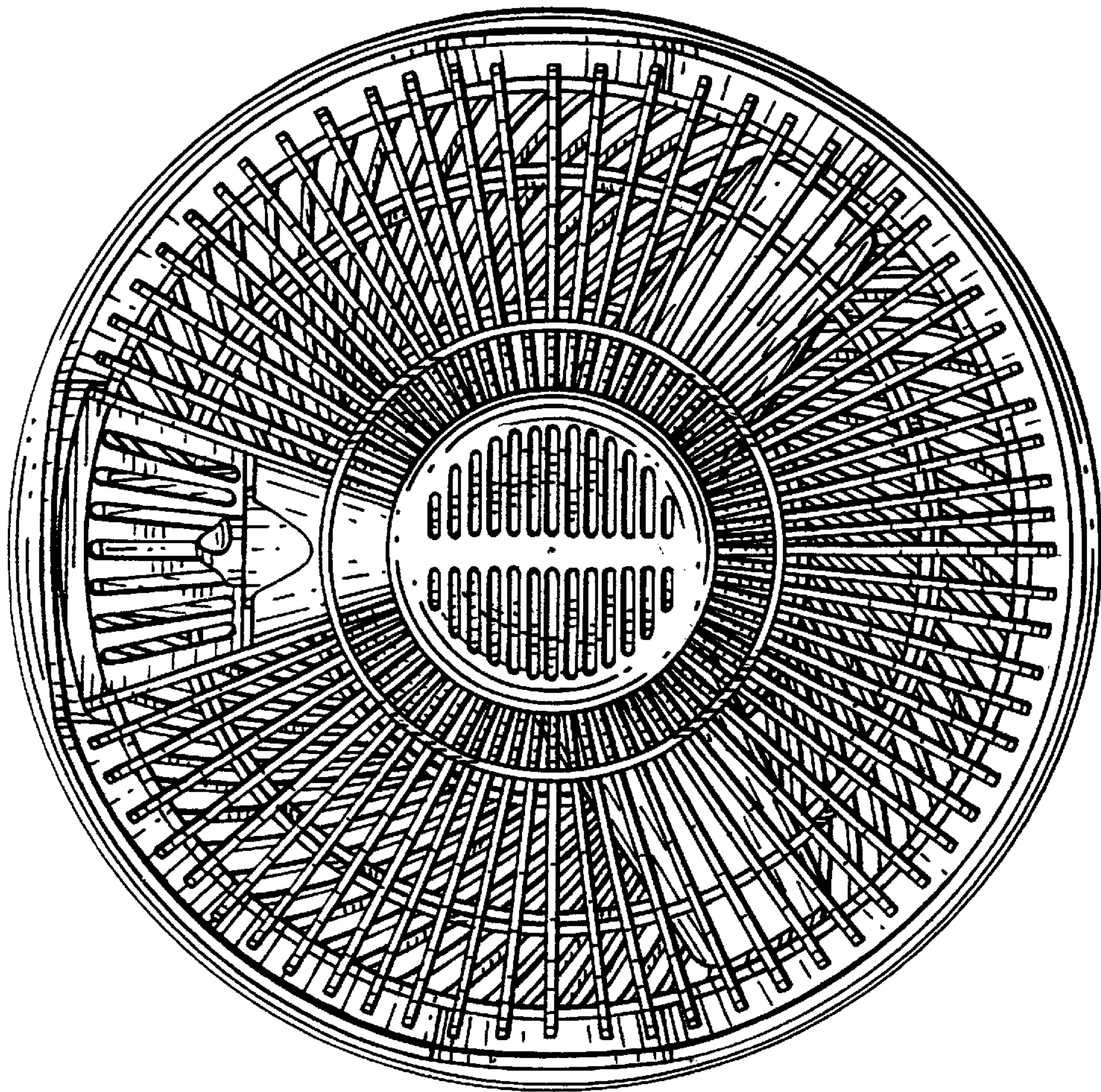


FIG. 4

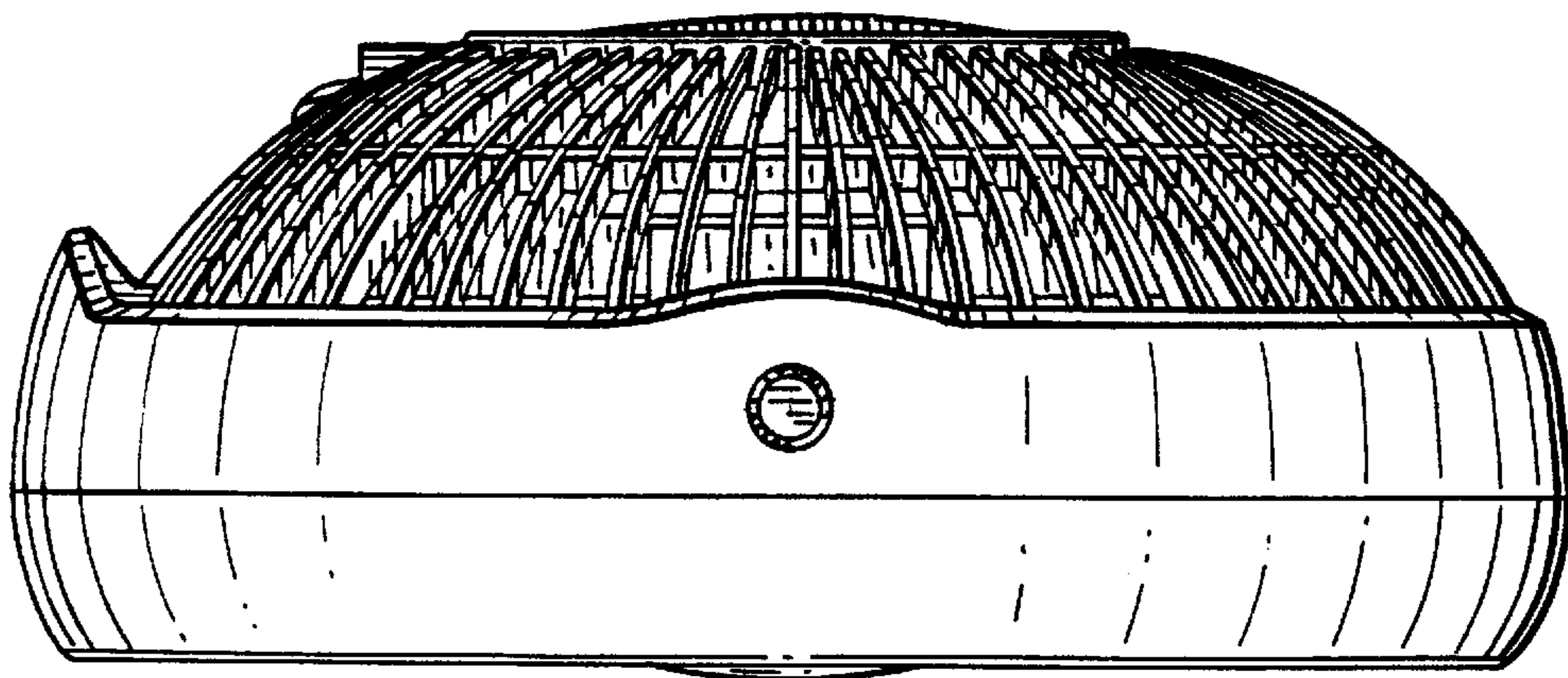


FIG. 6

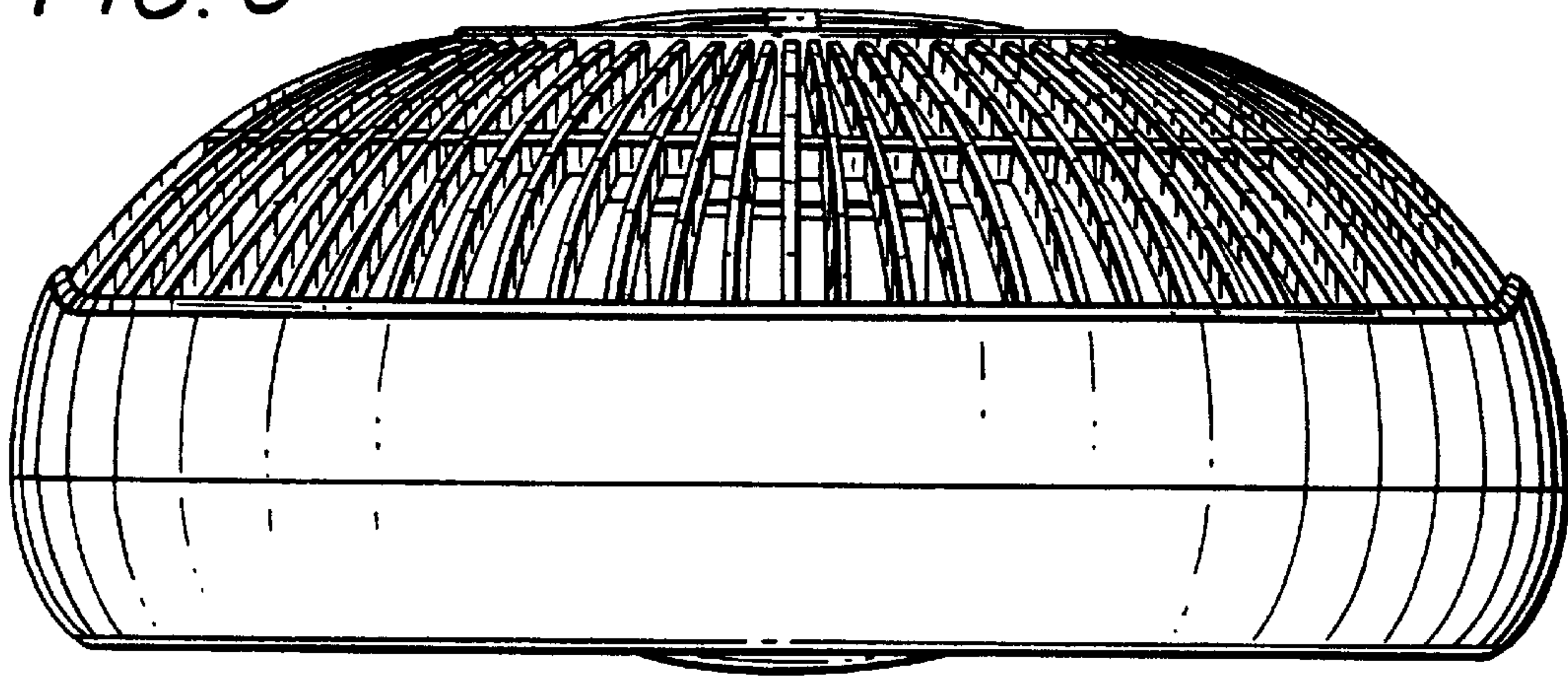


FIG. 7

