



US00D440640S

(12) **United States Design Patent**
Walsh

(10) **Patent No.:** **US D440,640 S**

(45) **Date of Patent:** **** Apr. 17, 2001**

(54) **TUB**

(75) **Inventor:** **James Walsh**, Bridgewater, NJ (US)

(73) **Assignee:** **American Standard International Inc.**, New York, NY (US)

(**) **Term:** **14 Years**

(21) **Appl. No.:** **29/115,923**

(22) **Filed:** **Dec. 22, 1999**

(51) **LOC (7) Cl.** **23-02**

(52) **U.S. Cl.** **D23/277**

(58) **Field of Search** D23/275-279,
D23/280.1-280.4, 303-307; 4/538, 540,
541.1-541.6, 546, 548, 554, 568, 570, 575.1,
576.1, 577.1, 578.1, 595

(56) **References Cited**

U.S. PATENT DOCUMENTS

D. 278,844 * 5/1985 Stairs, Jr. D23/277

D. 318,323 * 7/1991 Stairs, Jr. D23/277
D. 319,490 * 8/1991 Stairs, Jr. D23/277
D. 331,622 * 12/1992 Dannenberg D23/277
D. 398,381 * 9/1998 Palacin D23/277

* cited by examiner

Primary Examiner—Ian Simmons
Assistant Examiner—Robert A. Delehanty

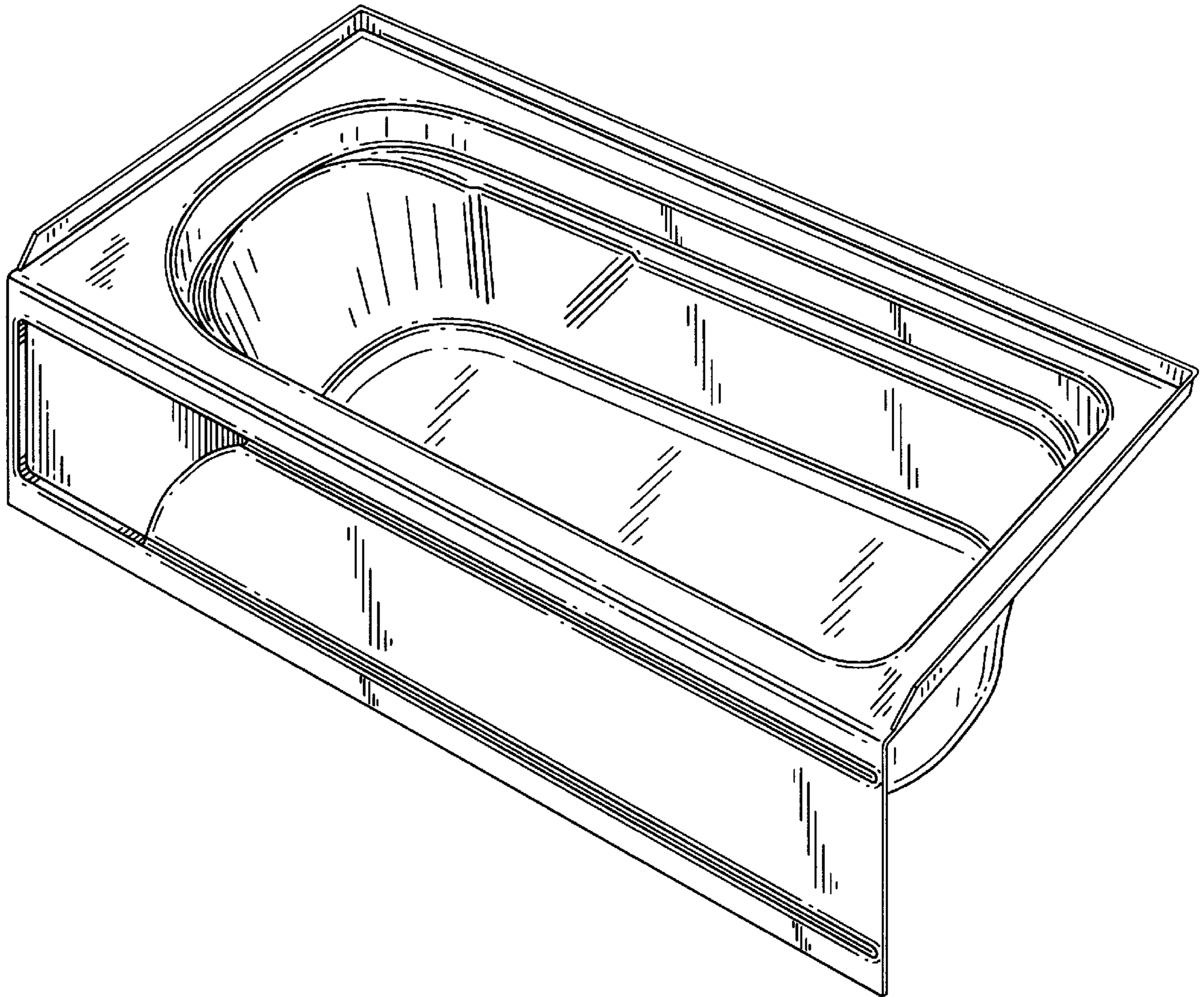
(57) **CLAIM**

The ornamental design for a tub, as shown and described.

DESCRIPTION

FIG. 1 is a perspective view of a tub showing my new design;
FIG. 2 is a top plan view thereof;
FIG. 3 is a front elevational view thereof;
FIG. 4 is a right side elevational view thereof;
FIG. 5 is a left side elevational view thereof; and,
FIG. 6 is a bottom plan view thereof.

1 Claim, 6 Drawing Sheets



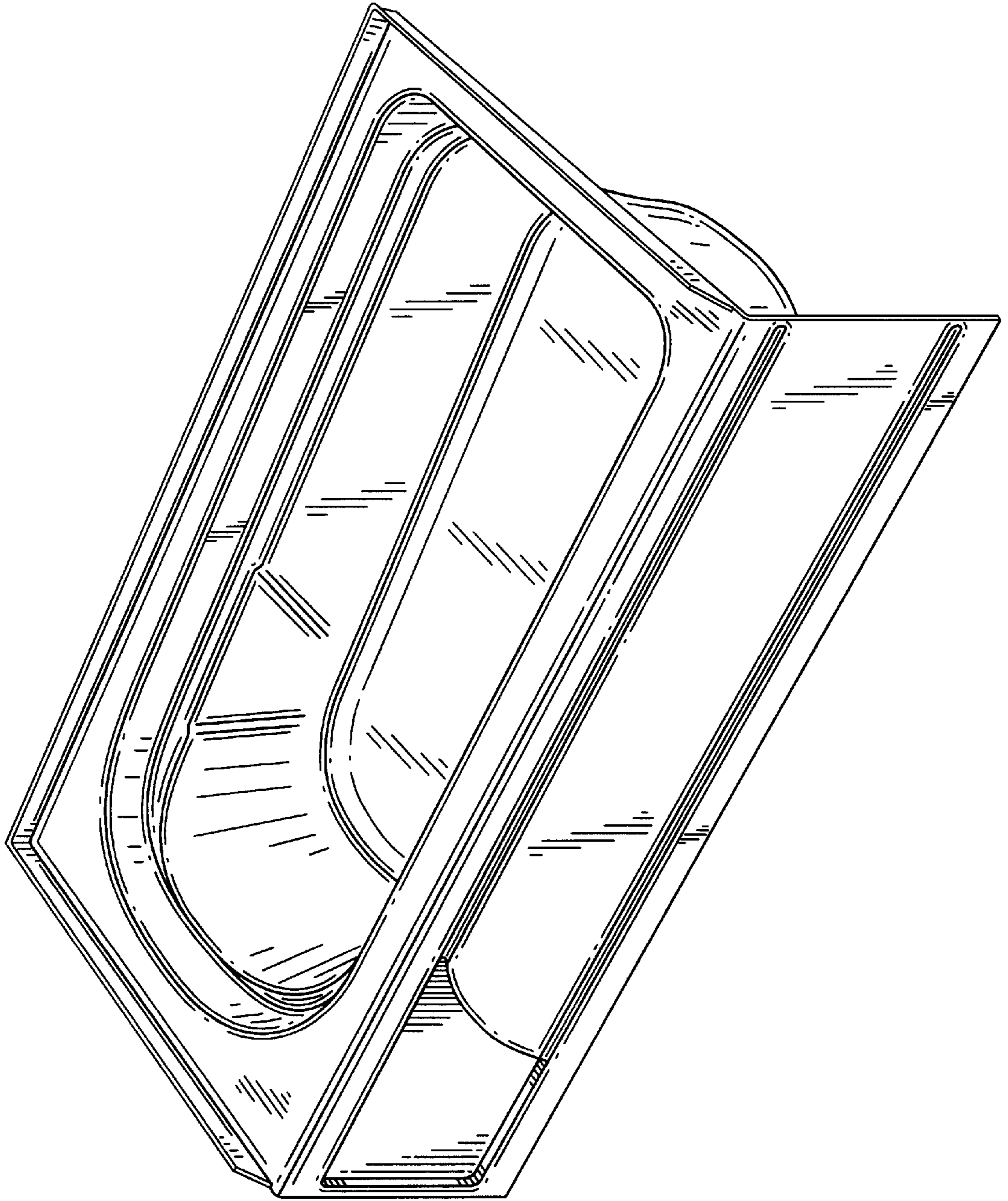


FIG. 1

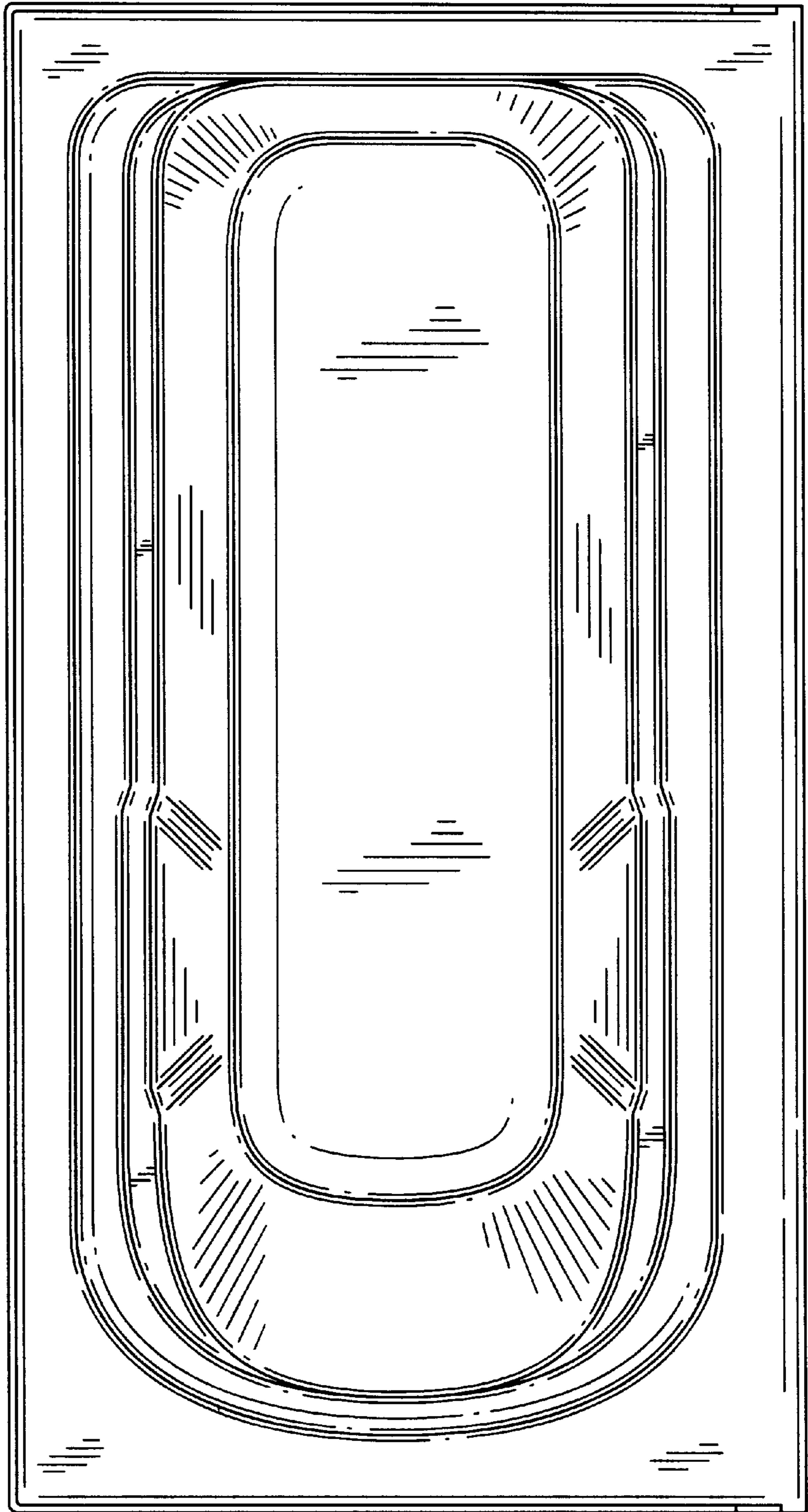


FIG. 2

FIG. 3

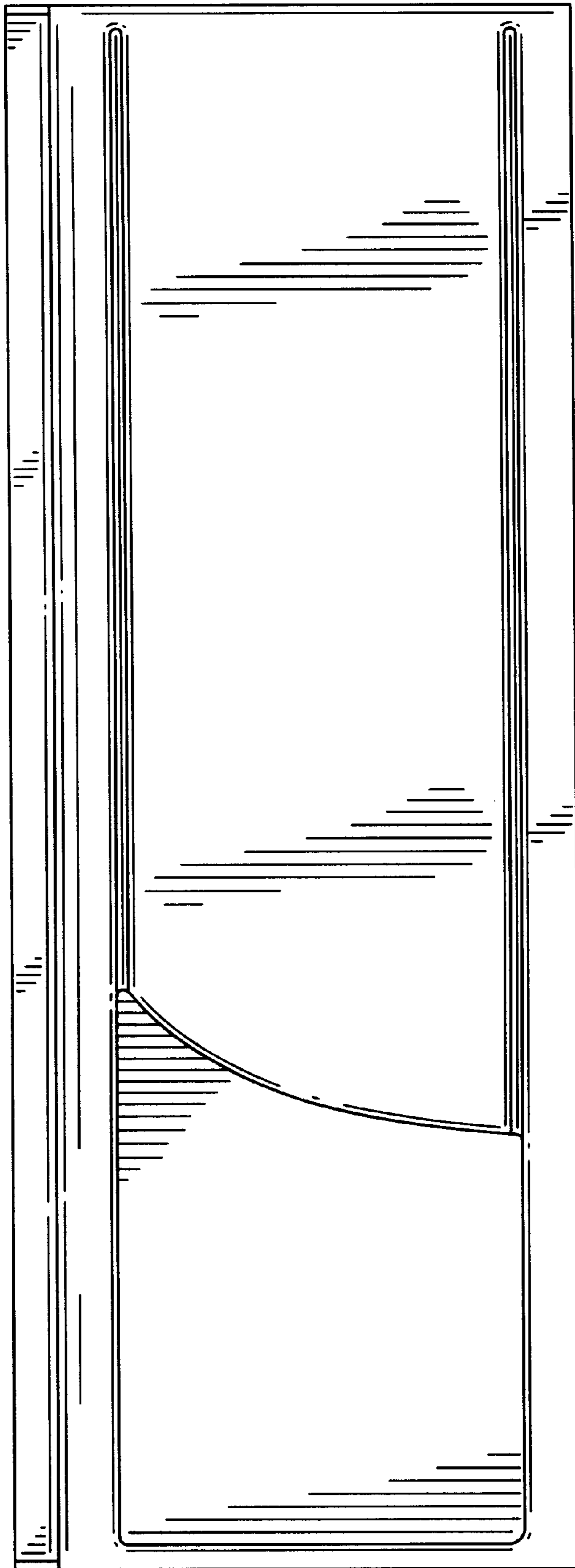


FIG. 4

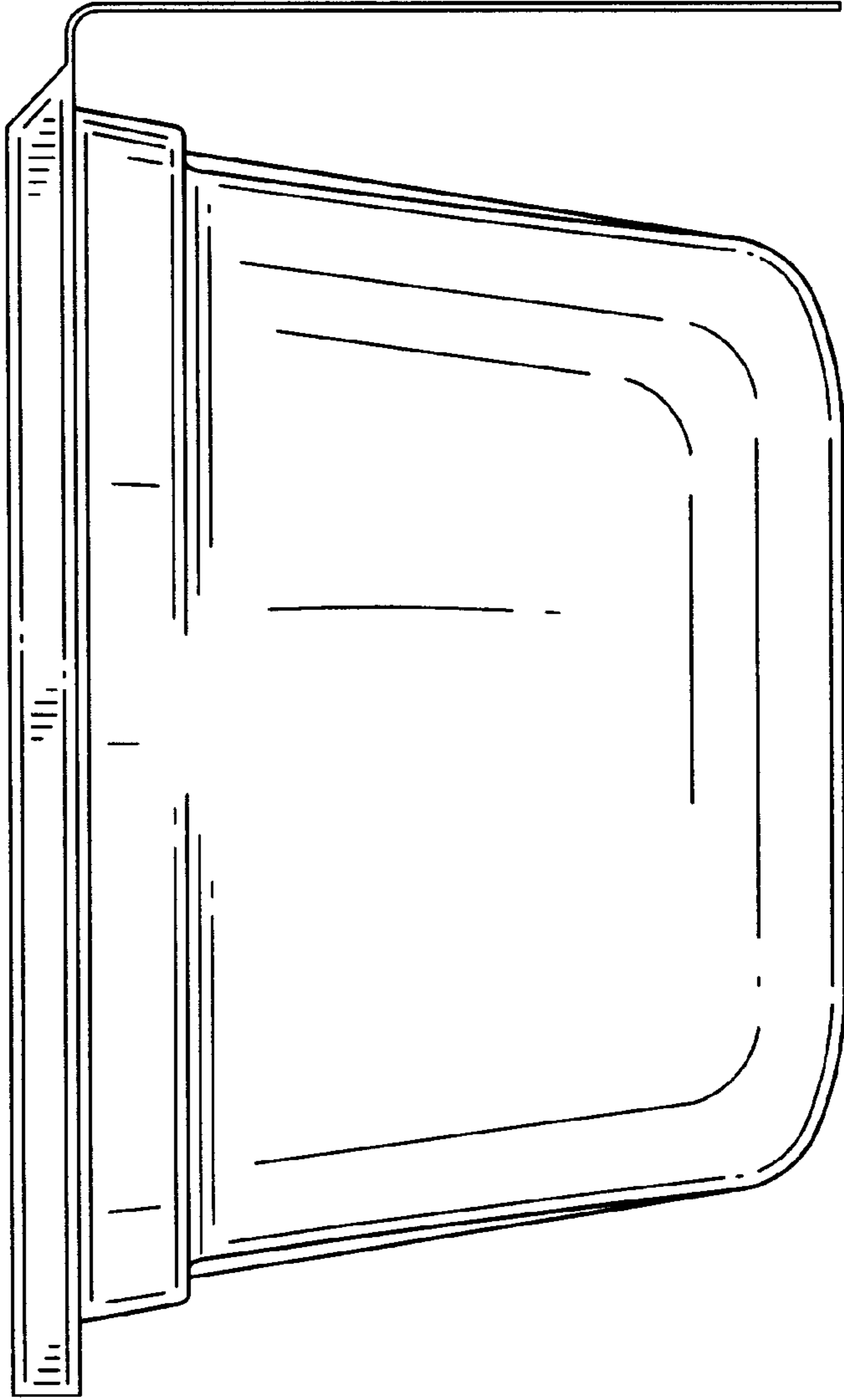
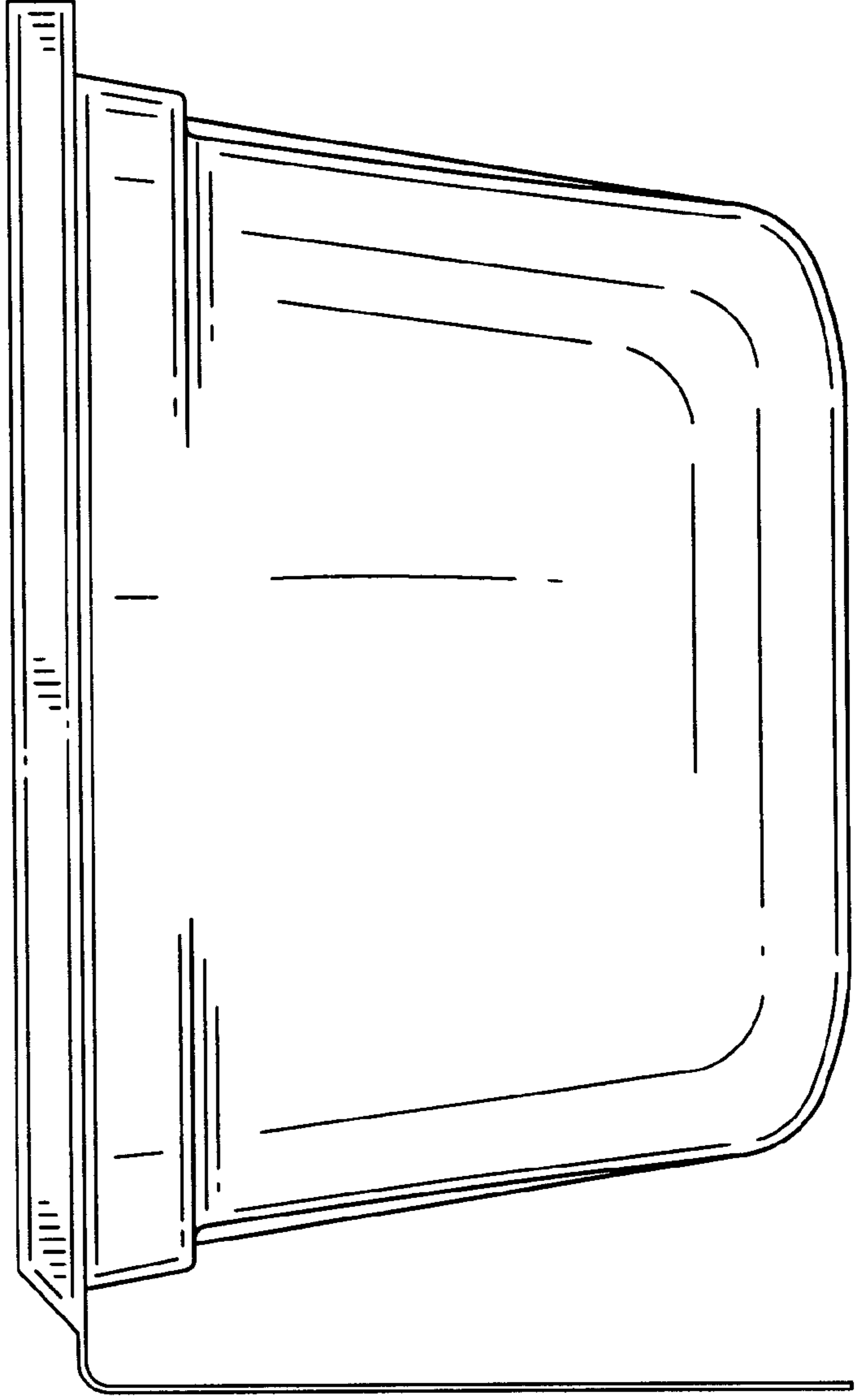


FIG. 5



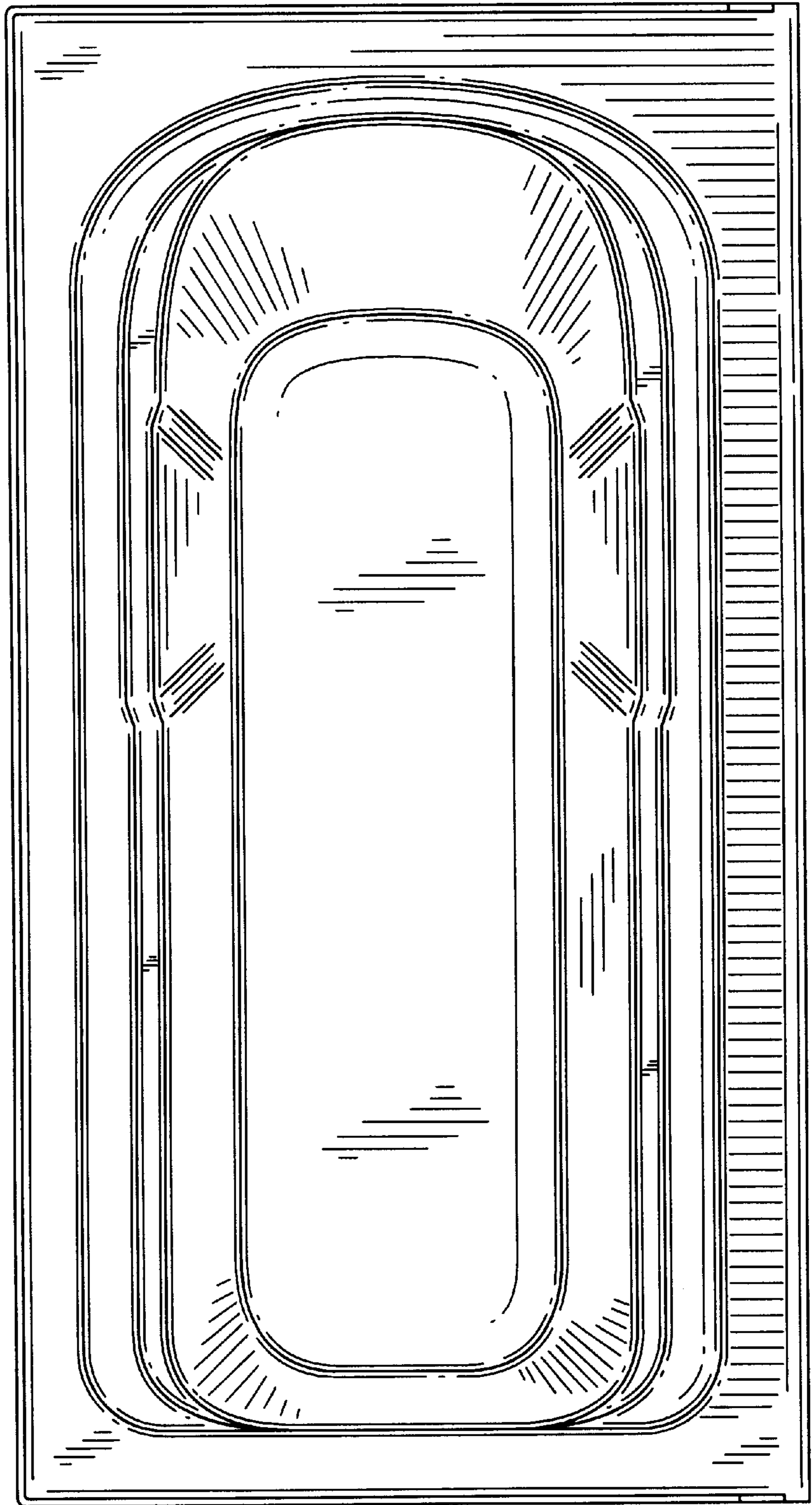


FIG. 6