



US00D440638S

(12) **United States Design Patent**  
**Lefroy-Brooks**

(10) **Patent No.:** **US D440,638 S**

(45) **Date of Patent:** **\*\* Apr. 17, 2001**

(54) **WALL MOUNT TAP**

D. 431,643 \* 10/2000 Mantz ..... D23/263

(76) Inventor: **Christopher Alan Lefroy-Brooks**, 1  
Grimsdells Corner, Sycamore Road,  
Amersham, Buckinghamshire HP6 5EL  
(GB)

\* cited by examiner

*Primary Examiner*—Louis S. Zarfaz  
*Assistant Examiner*—Gregory Andoll  
(74) *Attorney, Agent, or Firm*—Ratner & Prestia

(\*\*) Term: **14 Years**

(57) **CLAIM**

(21) Appl. No.: **29/121,929**

The ornamental design for a wall mount tap, as shown and described.

(22) Filed: **Apr. 14, 2000**

(30) **Foreign Application Priority Data**

**DESCRIPTION**

Apr. 16, 1999 (GB) ..... 2082723

FIG. 1 is a perspective view of a wall mount tap showing my new design;

(51) **LOC (7) Cl.** ..... **23-01**

FIG. 2 is a left side view of the wall mount tap;

(52) **U.S. Cl.** ..... **D23/255; D23/262**

FIG. 3 is a front view of the wall mount tap;

(58) **Field of Search** ..... D23/238–243,  
D23/250–257, 259, 263, 262, 260; 4/675–678;  
137/801, 625; 285/131, 132

FIG. 4 is a rear view of the wall mount tap;

FIG. 5 is a top view of the wall mount tap; and,

FIG. 6 is a bottom view of the wall mount tap.

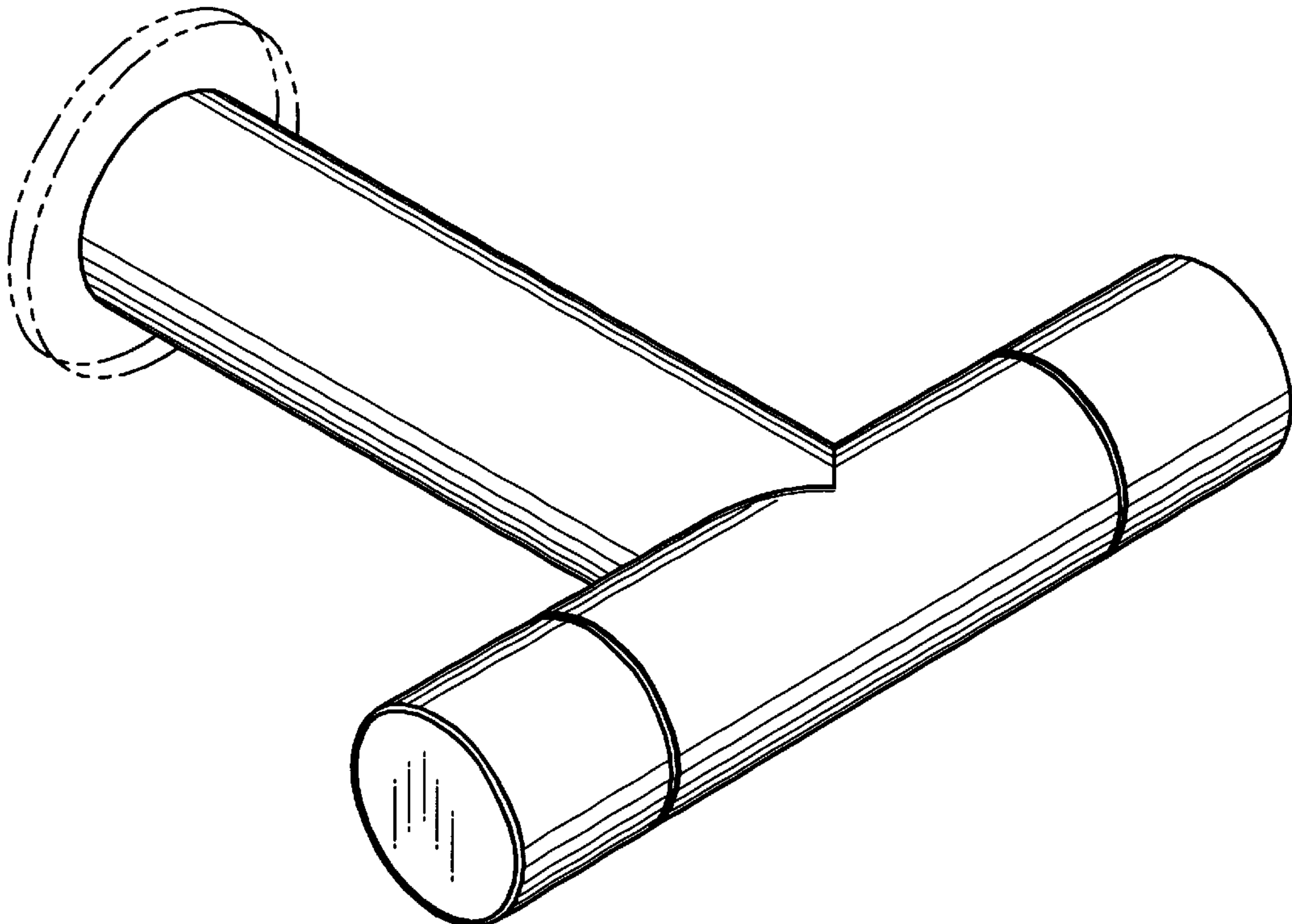
(56) **References Cited**

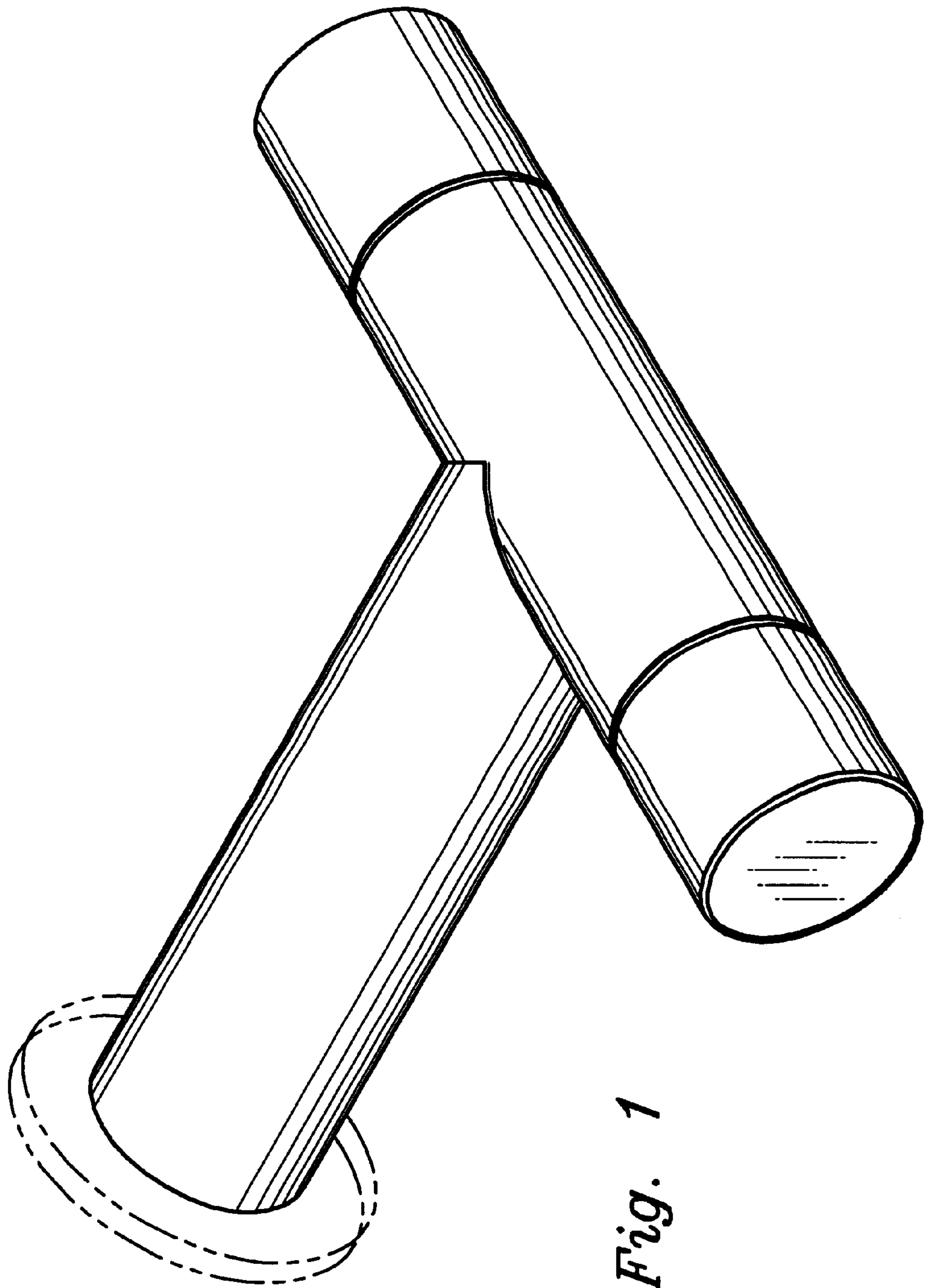
The right side view is a mirror image of FIG. 2. The features shown in broken lines are provided for illustrative purposes only and form no part of the claimed design. It will be appreciated that water can enter the wall mount tap through the opening in the rear of the wall mount tap (shown in broken lines in FIG. 4) and exit the wall mount tap through the opening in the bottom of the wall mount tap (shown in broken lines in FIG. 6), for example.

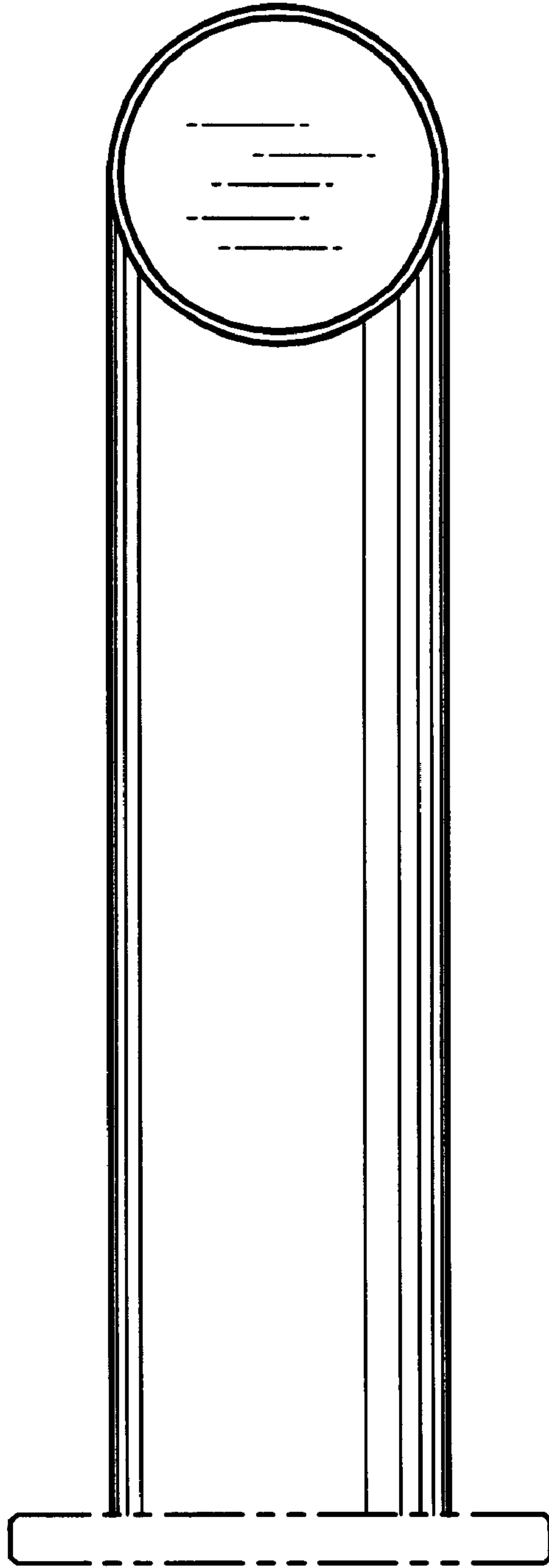
**U.S. PATENT DOCUMENTS**

- D. 163,487 \* 5/1951 Schustack ..... D23/263
- D. 240,131 \* 6/1976 Dwyer ..... D23/263
- D. 311,438 \* 10/1990 Strignano ..... D23/242
- D. 318,904 \* 8/1991 Hartkopf ..... D23/252
- D. 335,811 \* 5/1993 Bengston et al. .... D23/250
- D. 343,889 \* 2/1994 Stonecypher ..... D23/263
- D. 350,183 \* 8/1994 Joerger ..... D23/242

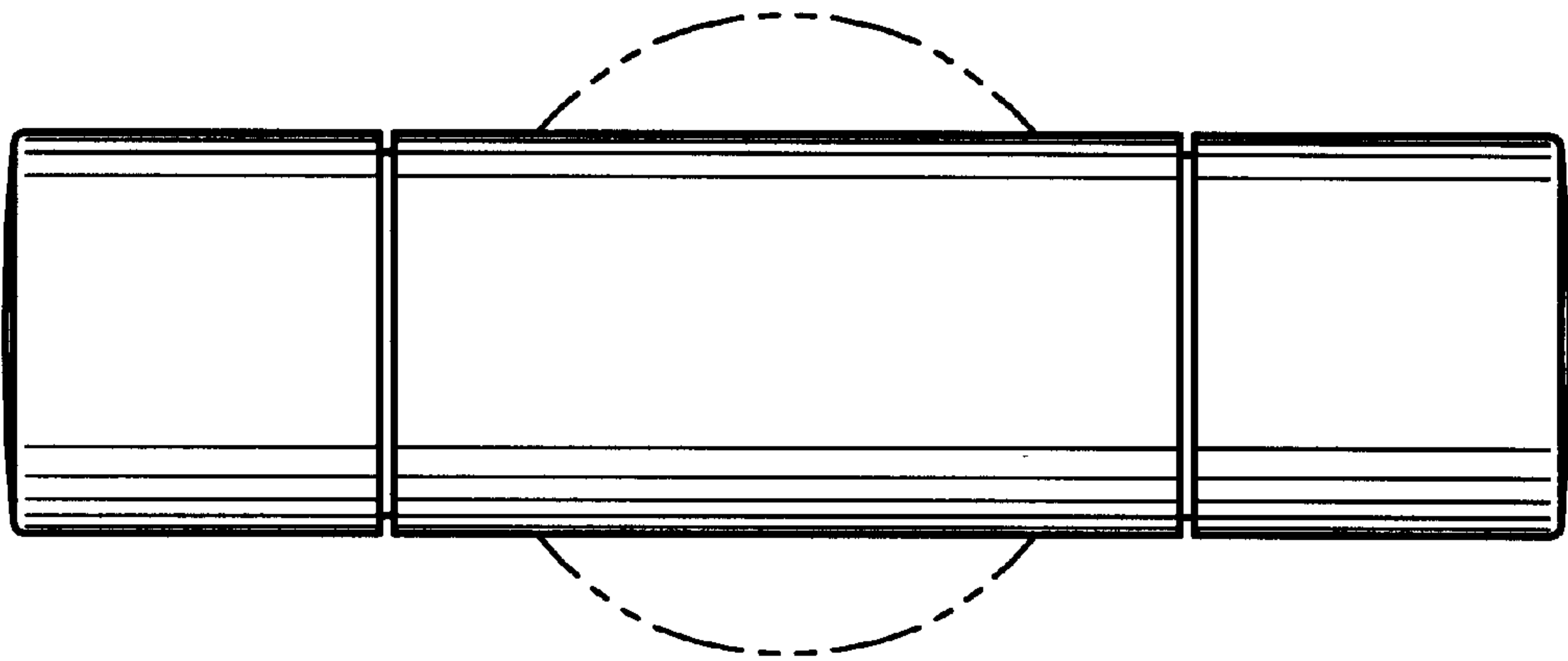
**1 Claim, 6 Drawing Sheets**



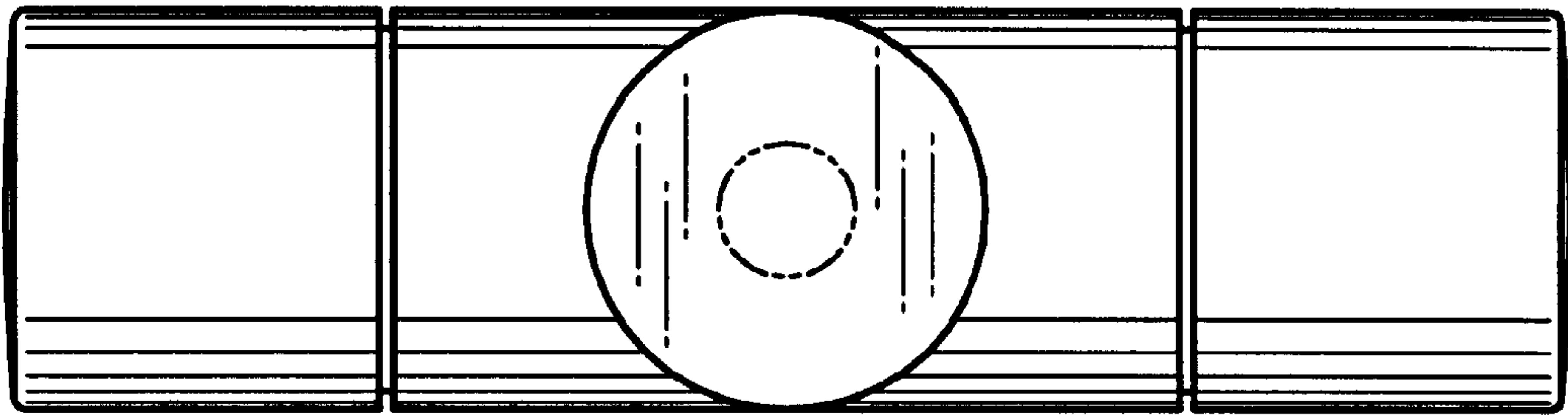




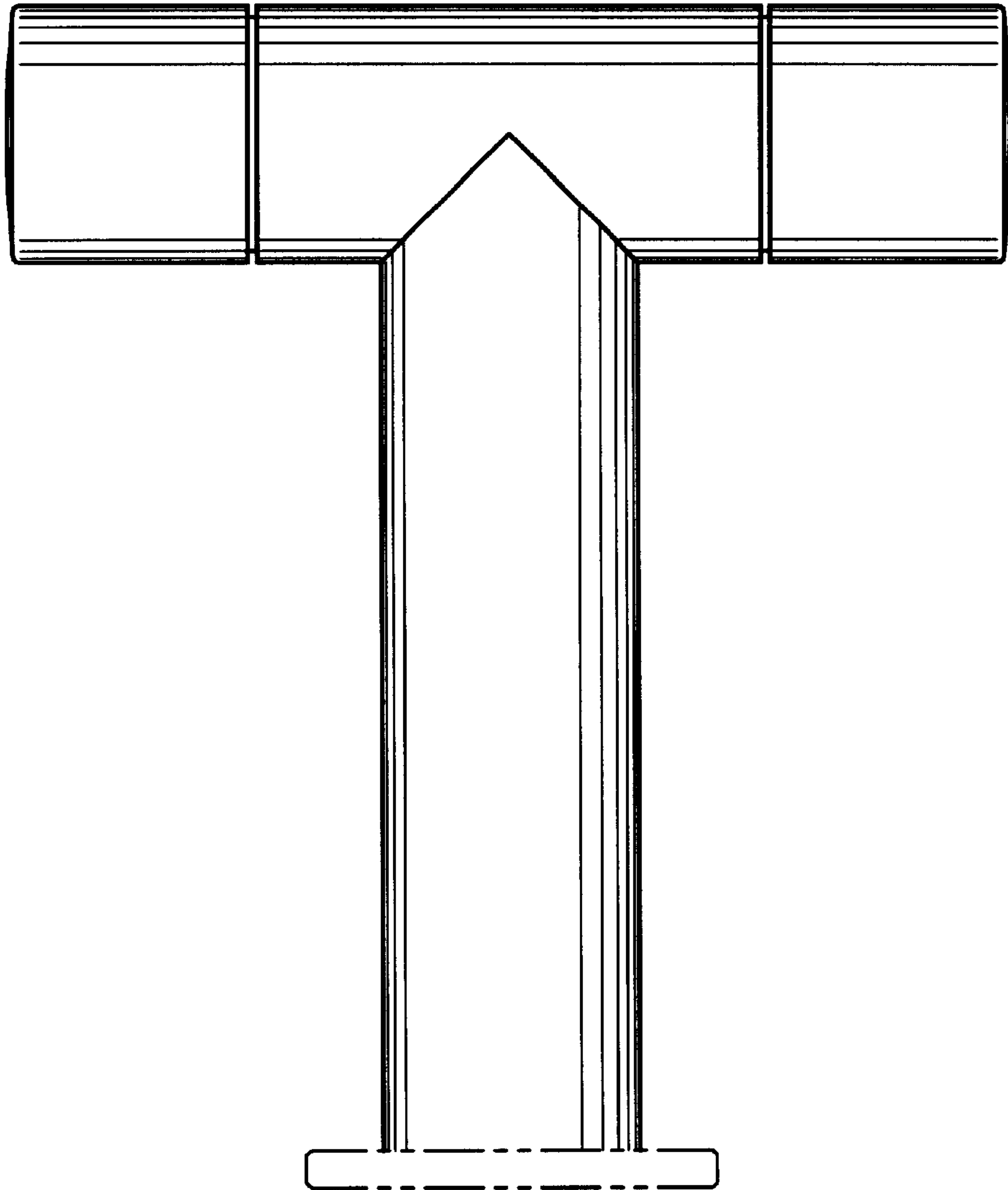
*Fig. 2*



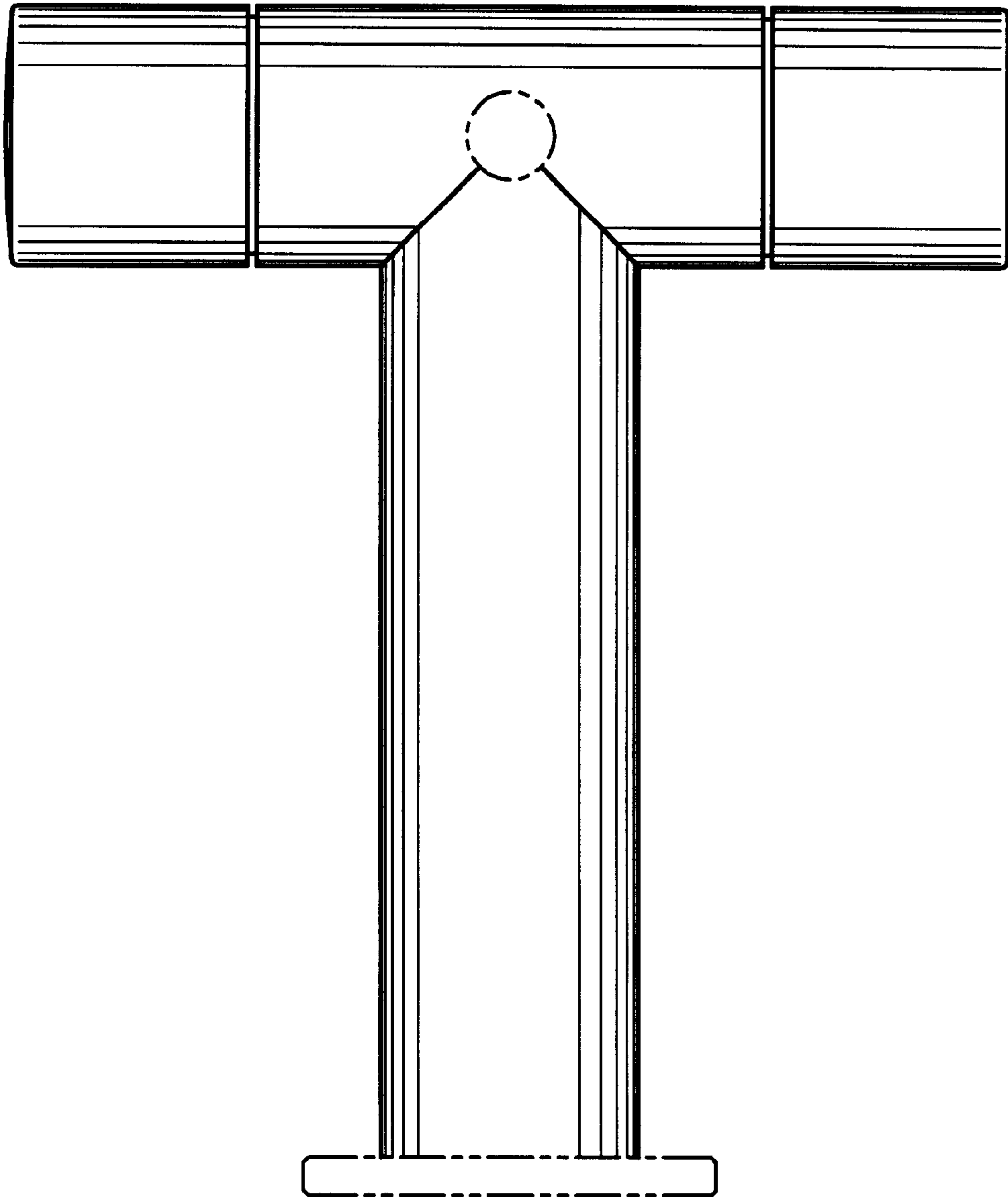
*Fig. 3*



*Fig. 4*



*Fig. 5*



*Fig. 6*